



US00D720981S

(12) **United States Design Patent**  
**Kaishian et al.**

(10) **Patent No.:** **US D720,981 S**  
(45) **Date of Patent:** **\*\* Jan. 13, 2015**

- (54) **FULL MOON CABINET PULL**
- (71) Applicants: **Steven Kaishian**, Wauwatosa, WI (US);  
**Pamela Anderson**, Wauwatosa, WI (US)
- (72) Inventors: **Steven Kaishian**, Wauwatosa, WI (US);  
**Pamela Anderson**, Wauwatosa, WI (US)
- (\*\*) Term: **14 Years**
- (21) Appl. No.: **29/473,045**
- (22) Filed: **Nov. 18, 2013**
- (51) **LOC (10) Cl.** ..... **08-06**
- (52) **U.S. Cl.**  
USPC ..... **D8/313**
- (58) **Field of Classification Search**  
CPC ..... A47B 95/02  
USPC ..... D8/313, 300, 310, 314, 330, 344, 352,  
D8/400, 403, 321, 322, 343; D21/500,  
D21/480, 484, 501; D6/705.5; 16/110.1,  
16/413, 414, 415, 416, 443, 402;  
D25/114, 116, 117, 118; 52/288.1,  
52/287.1; 292/347, 336.3; 70/78, 80, 95,  
70/97, 370  
See application file for complete search history.

- (56) **References Cited**  
U.S. PATENT DOCUMENTS  
112,823 A \* 3/1871 Lloyd ..... 273/153 R  
836,692 A \* 11/1906 Marbach ..... 16/416  
1,437,509 A \* 12/1922 Genth ..... 16/416  
D100,871 S \* 8/1936 Marcus ..... D8/300  
D155,349 S \* 9/1949 Lear ..... D8/310  
D160,710 S \* 10/1950 Kadleck ..... D8/313  
D181,785 S \* 12/1957 Duvall ..... D8/306  
D182,170 S \* 2/1958 Fink ..... D8/404  
D182,623 S \* 4/1958 Russell ..... D8/321

3,070,830 A *	1/1963	Schirmer	.....	16/416
3,159,416 A *	12/1964	Schlage	.....	292/340
3,524,215 A *	8/1970	Kurtz	.....	16/443
D272,714 S *	2/1984	LeGrand	.....	D8/301
D311,486 S *	10/1990	Hickman	.....	D8/358
D333,967 S *	3/1993	Shepherd	.....	D8/313
D369,288 S *	4/1996	Jensen	.....	D8/313
D380,955 S *	7/1997	Landry et al.	.....	D8/306
D386,383 S *	11/1997	Lougee	.....	D8/313
D411,732 S *	6/1999	Chamberlain	.....	D8/350
D419,051 S *	1/2000	Heithe	.....	D8/313
D445,664 S *	7/2001	Foster	.....	D8/301
D513,960 S *	1/2006	Witte	.....	D8/313
D691,019 S *	10/2013	Sakuma	.....	D8/314
D704,028 S *	5/2014	Meda et al.	.....	D8/310
D705,639 S *	5/2014	Kaishian et al.	.....	D8/313

\* cited by examiner

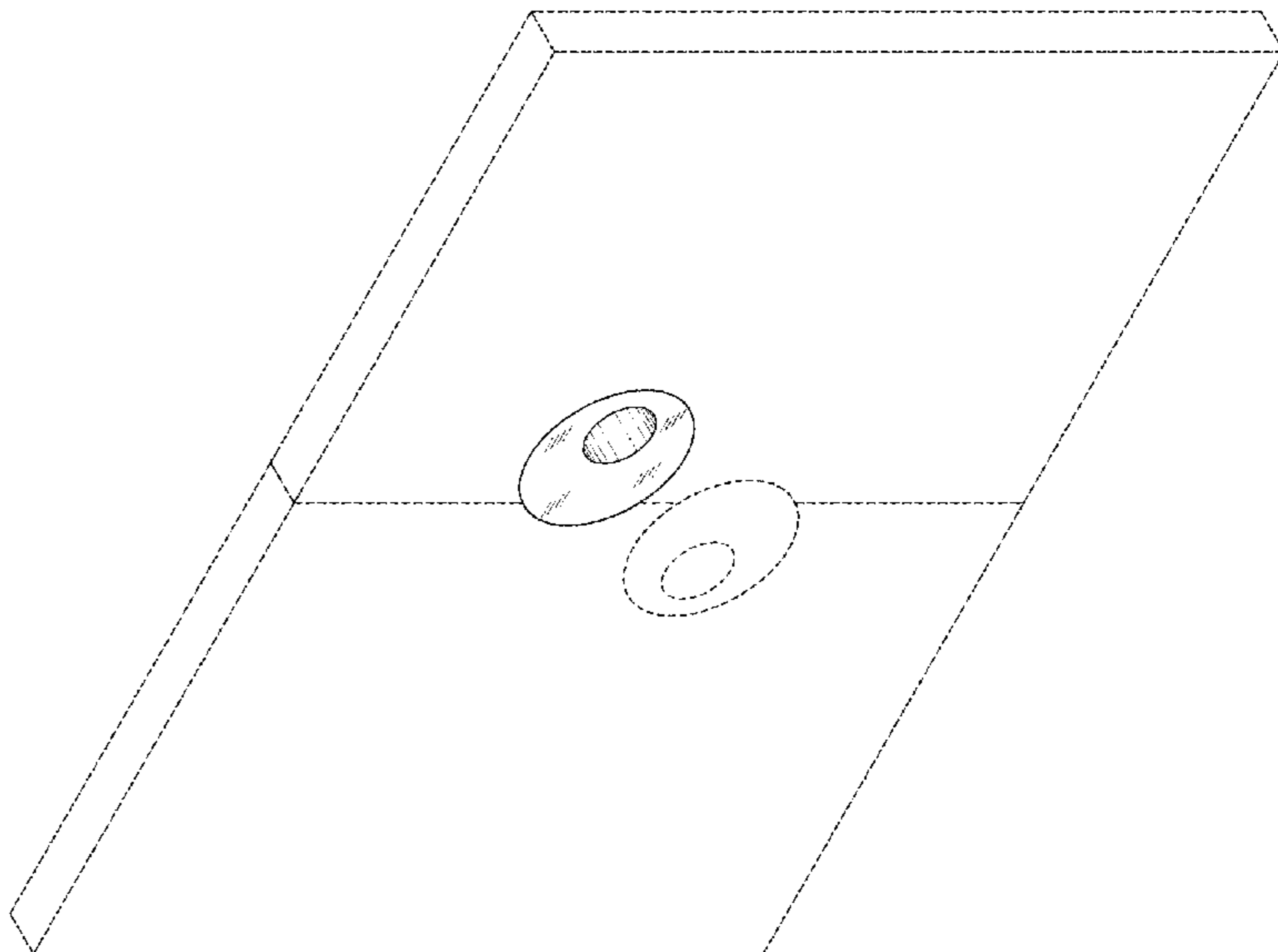
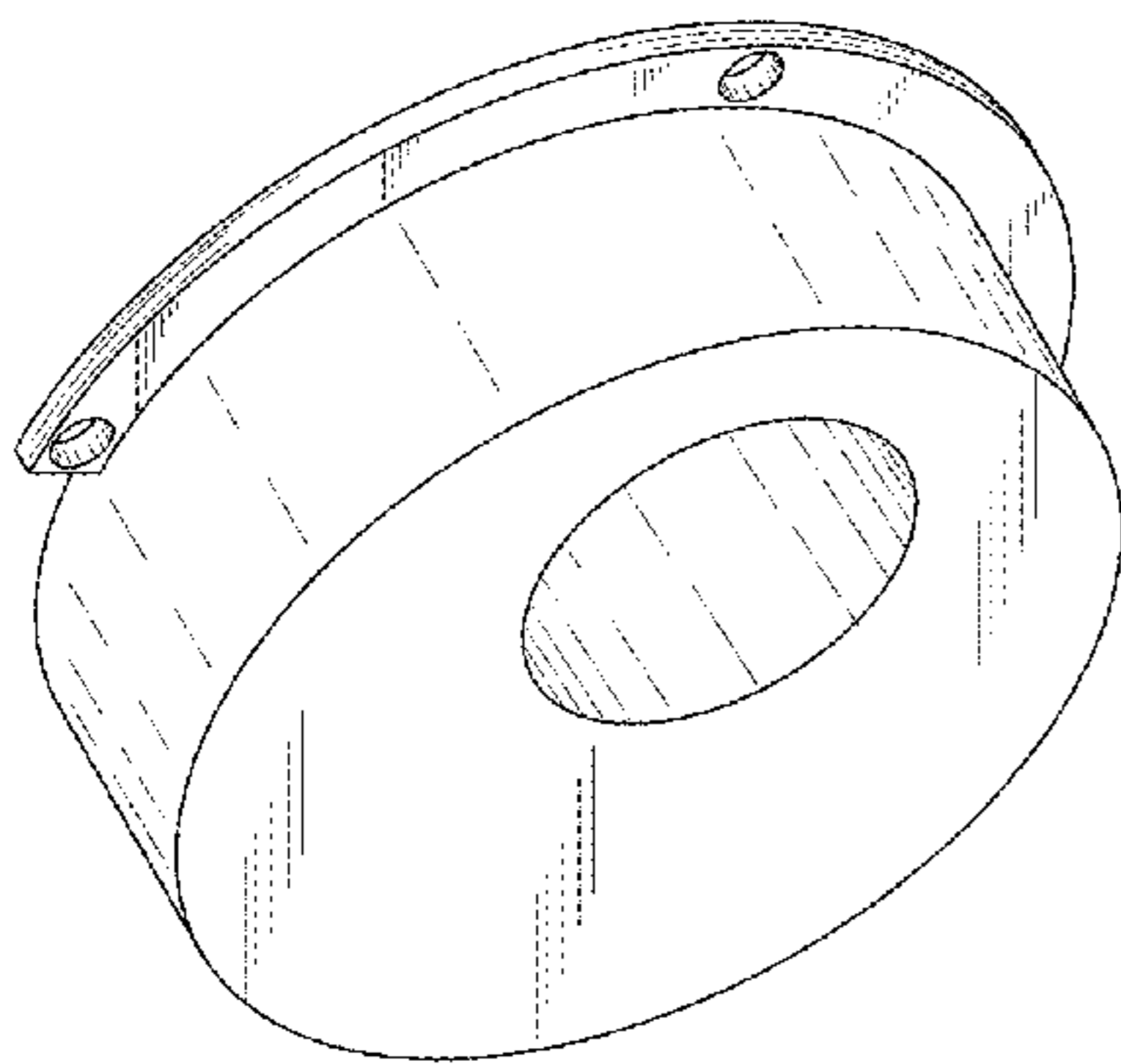
*Primary Examiner* — Paula Greene

(57) **CLAIM**  
The ornamental design for a full moon cabinet pull, as shown and described.

**DESCRIPTION**

FIG. 1 is a perspective view of a full moon cabinet pull;  
 FIG. 2 is a front elevational view thereof;  
 FIG. 3 is a rear elevational view thereof;  
 FIG. 4 is a left side view thereof;  
 FIG. 5 is a right side view thereof;  
 FIG. 6 is a top plan view thereof;  
 FIG. 7 is a bottom plan view thereof;  
 FIG. 8 is a perspective view thereof; and,  
 FIG. 9 is a perspective view thereof as installed in a door, drawer, or similar structure.  
 The broken line showings of a door in FIG. 8 and two doors in FIG. 9 are included for the purpose of showing environmental structure and form no part of the claimed design.

**1 Claim, 9 Drawing Sheets**



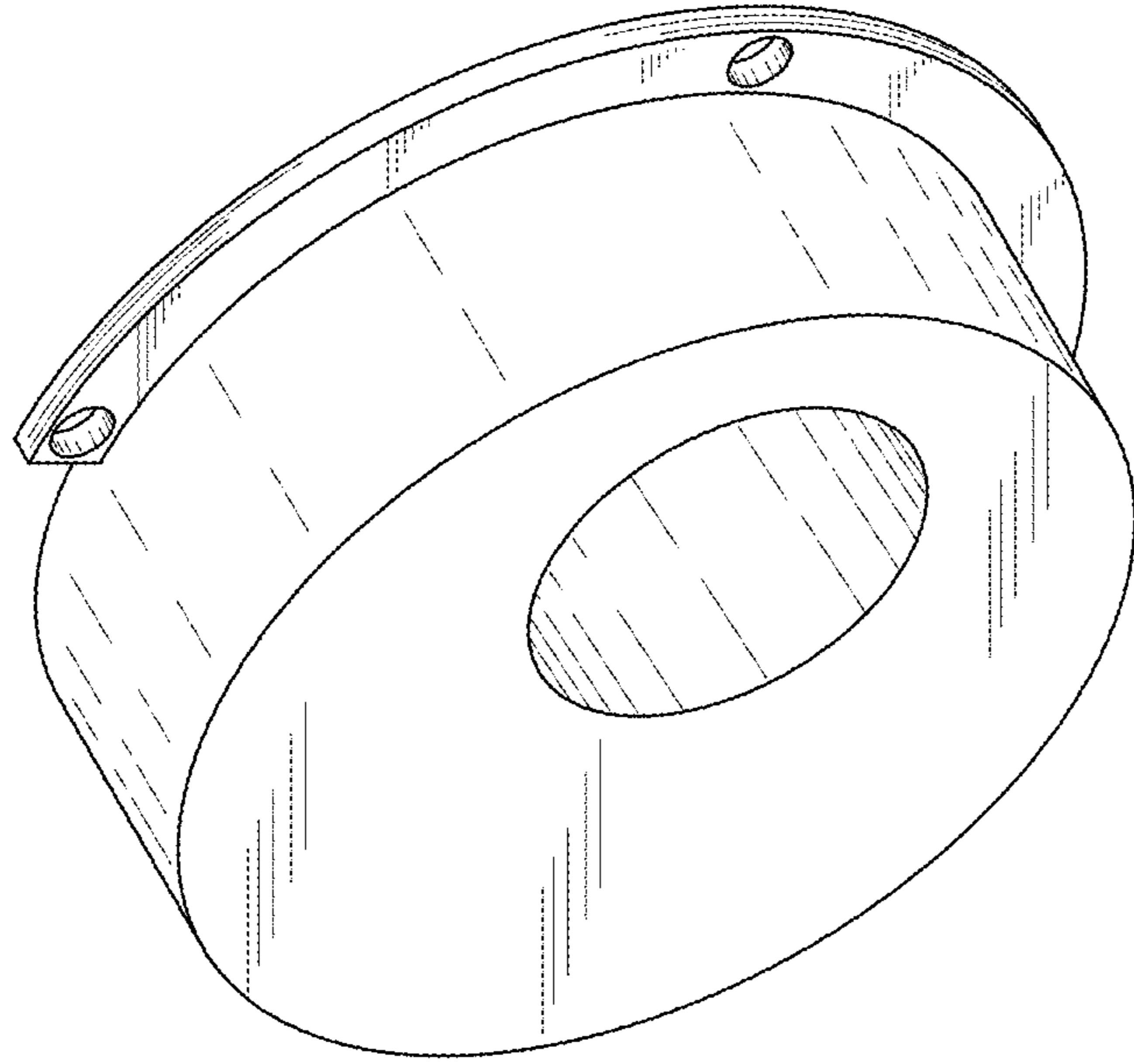


FIG. 1

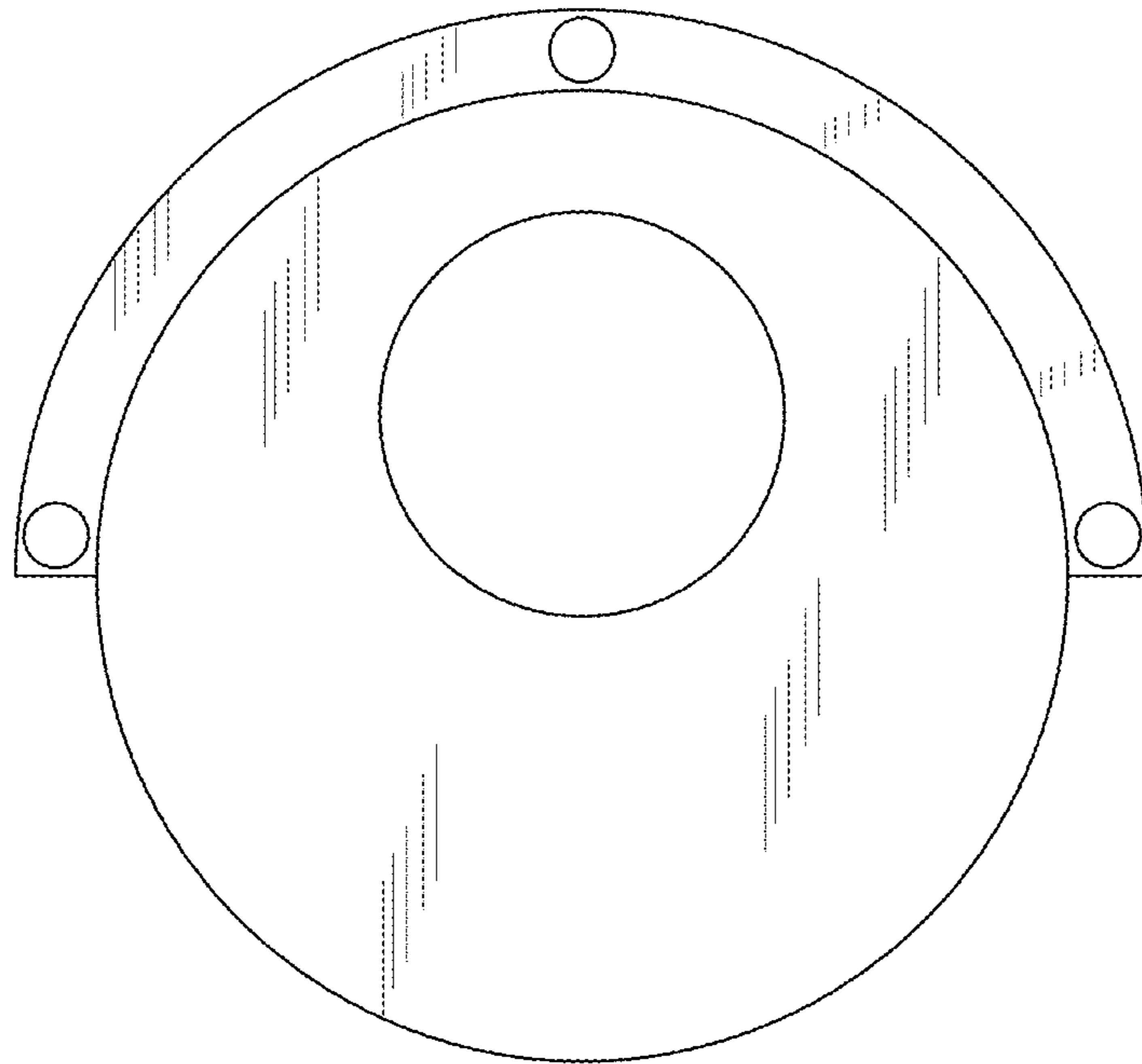


FIG. 2

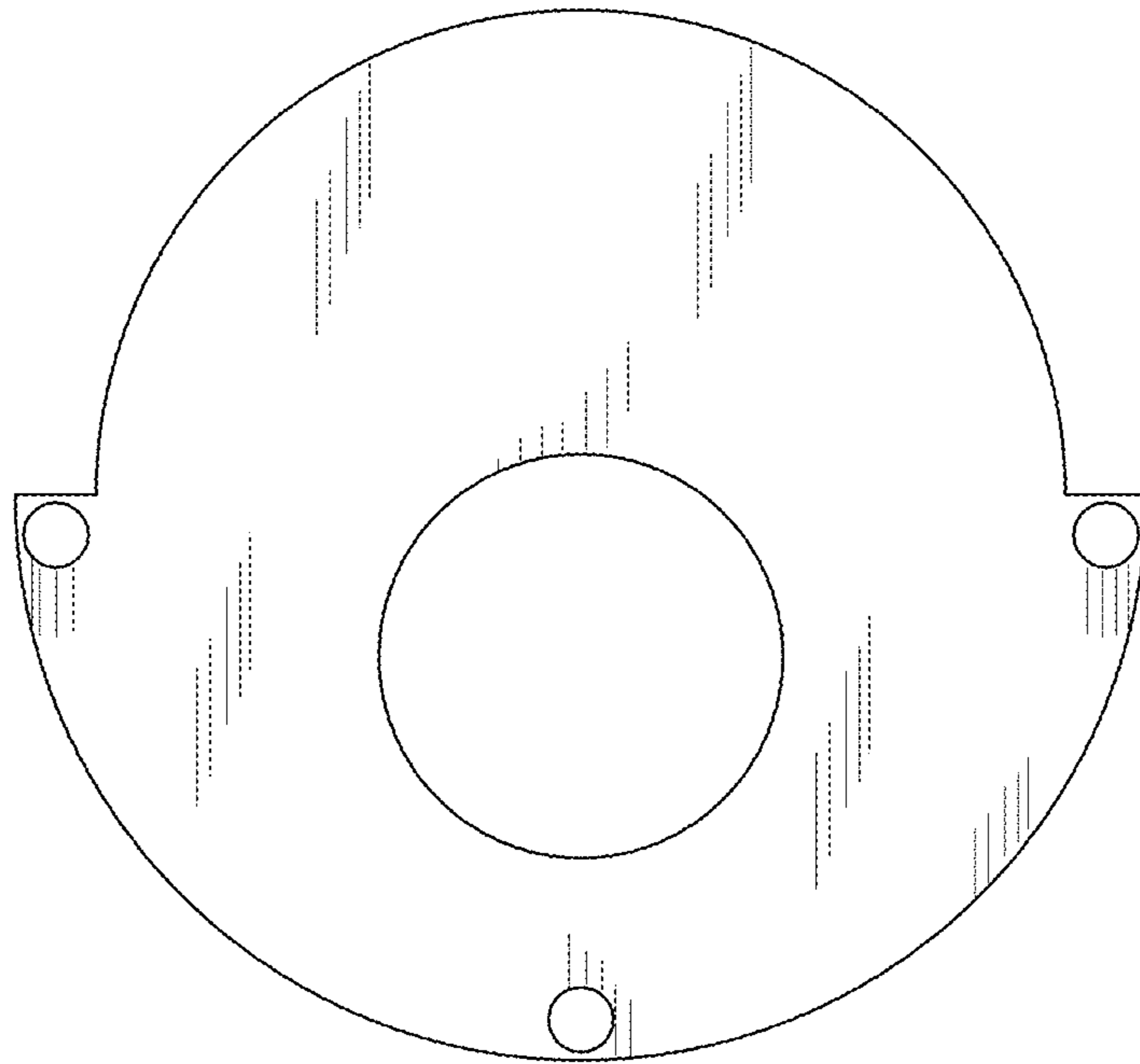


FIG. 3

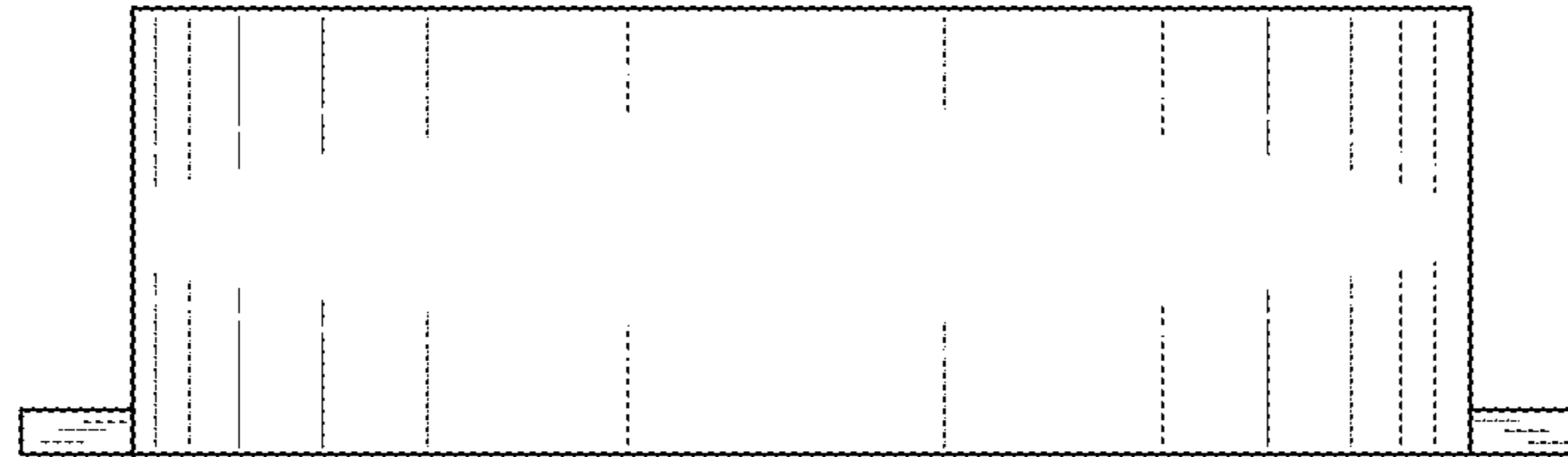


FIG. 4

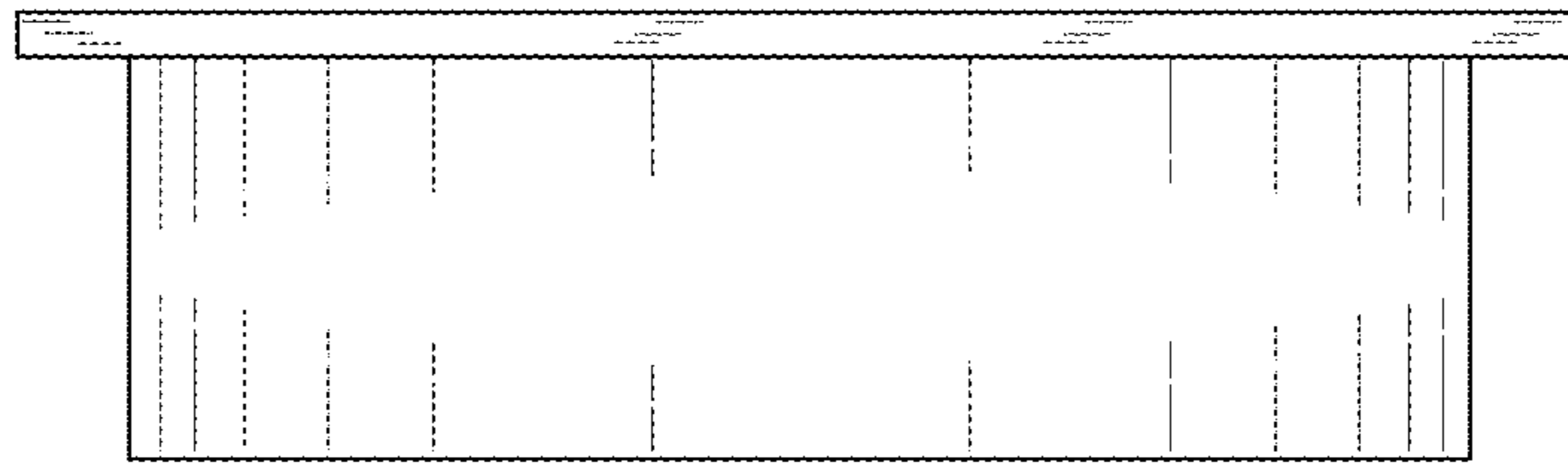


FIG. 5

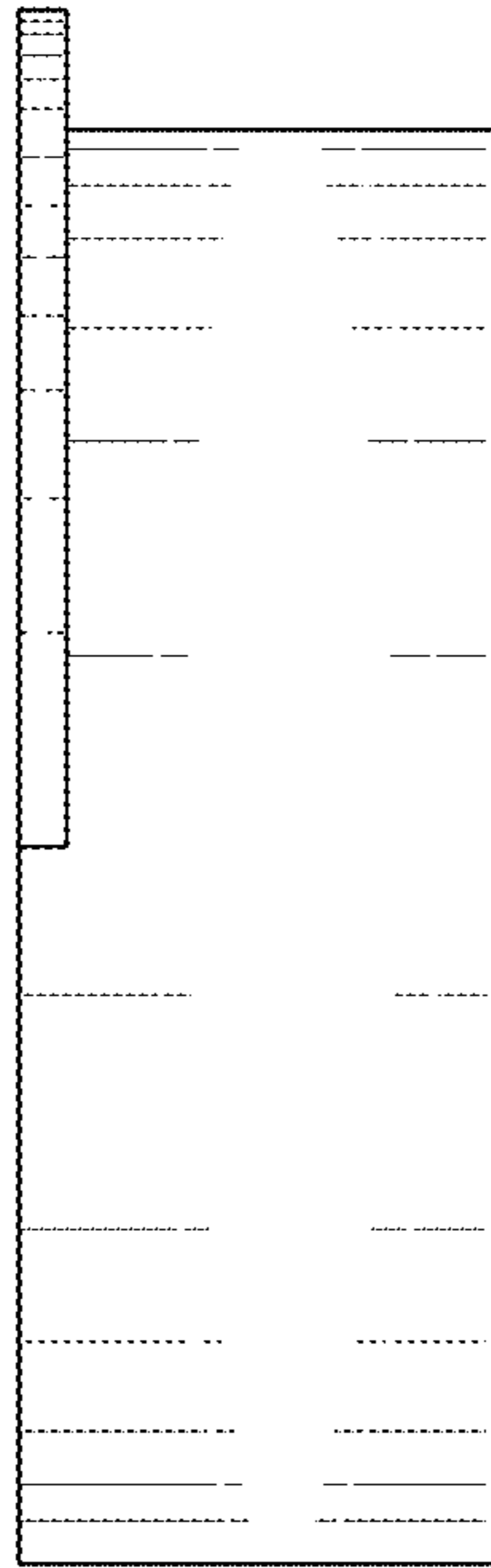


FIG. 6

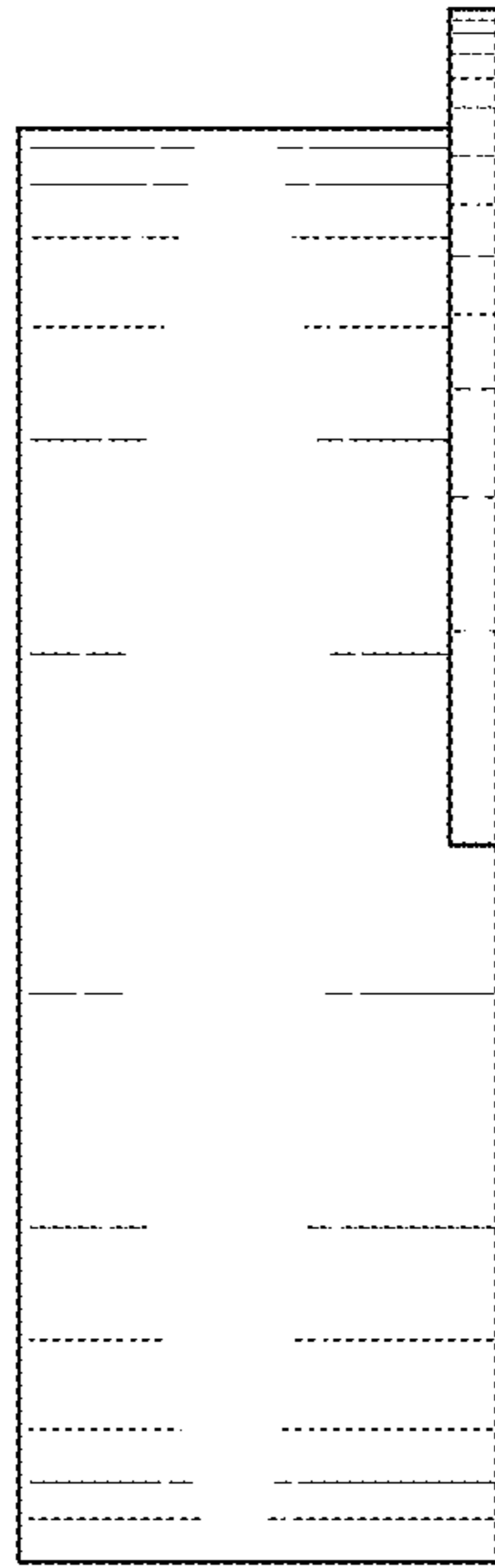


FIG. 7



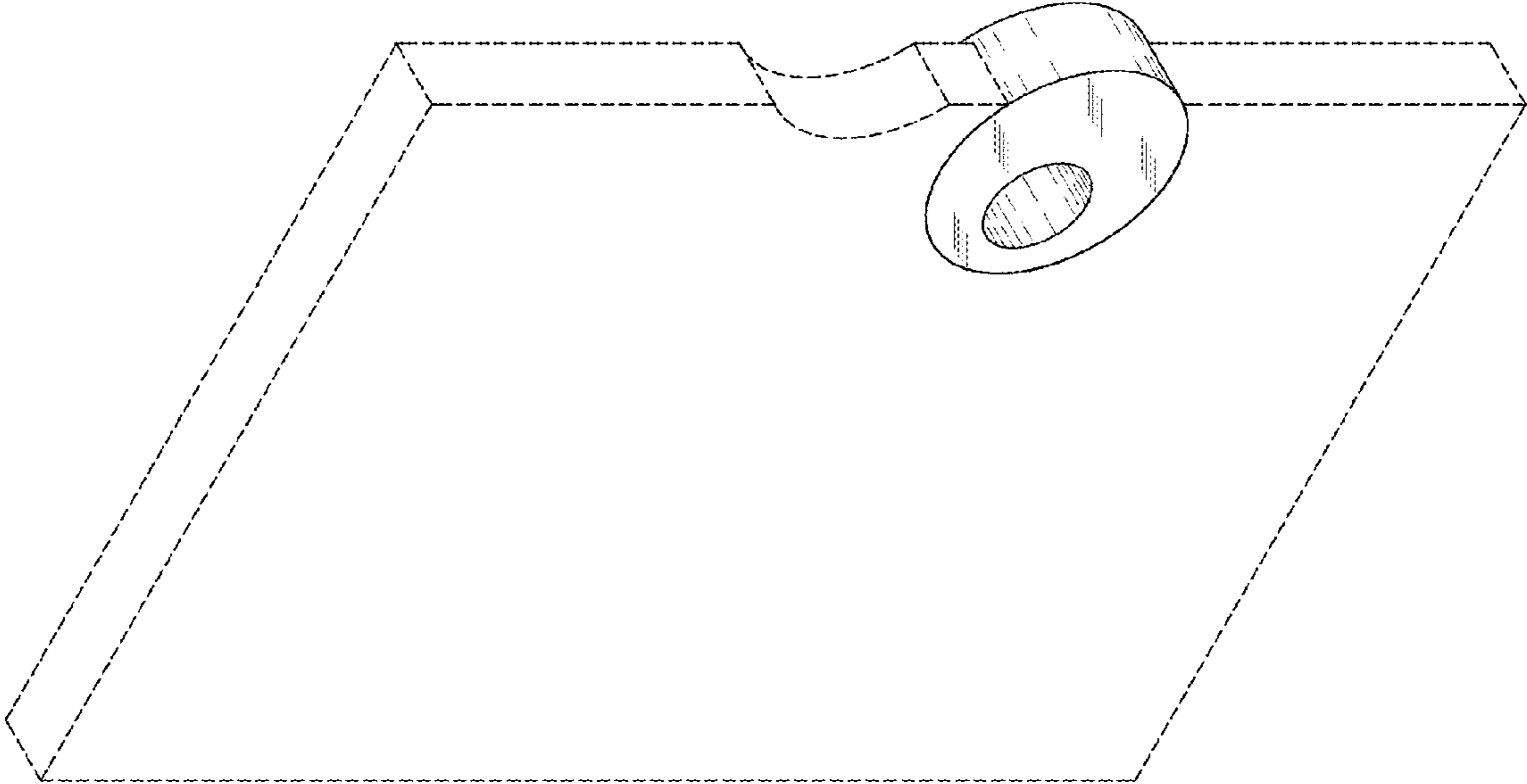


FIG. 8

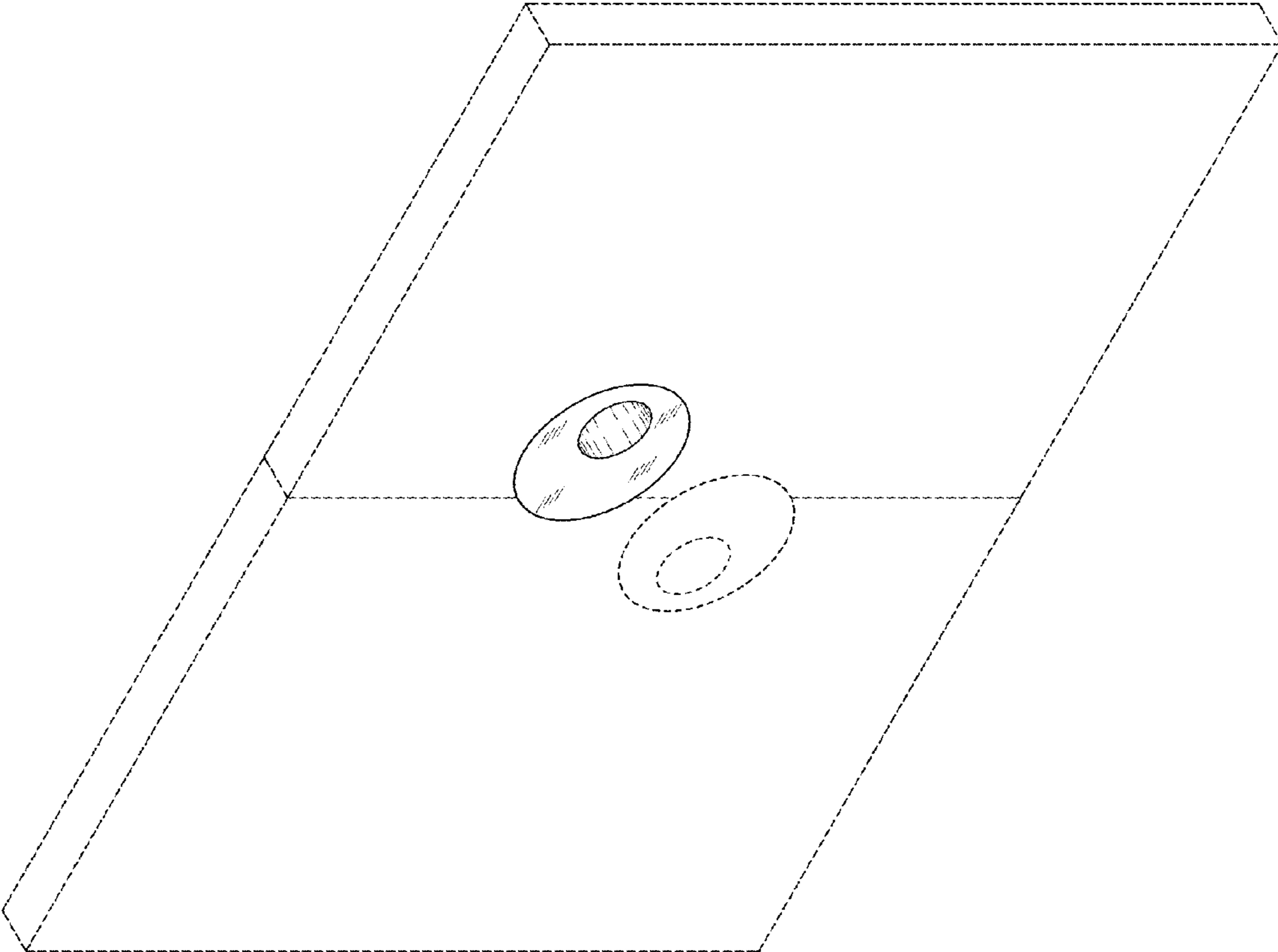


FIG. 9