



US00D720979S

(12) **United States Design Patent**  
**Kaishian et al.**

(10) **Patent No.:** **US D720,979 S**

(45) **Date of Patent:** **\*\* Jan. 13, 2015**

- (54) **ROUND CABINET PULL**
- (71) Applicants: **Steven Kaishian**, Wauwatosa, WI (US);  
**Pamela Anderson**, Wauwatosa, WI (US)
- (72) Inventors: **Steven Kaishian**, Wauwatosa, WI (US);  
**Pamela Anderson**, Wauwatosa, WI (US)
- (\*\*) Term: **14 Years**
- (21) Appl. No.: **29/473,042**
- (22) Filed: **Nov. 18, 2013**
- (51) **LOC (10) Cl.** ..... **08-06**
- (52) **U.S. Cl.**  
USPC ..... **D8/313; D8/300**
- (58) **Field of Classification Search**  
CPC ..... **A47B 95/02**  
USPC ..... **D8/313, 300, 400, 403, 321, 322, 343;**  
**D6/705.5; D21/500, 480, 484, 501;**  
**16/110.1, 413, 414, 415, 416, 443,**  
**16/402; D25/114, 116, 117, 118;**  
**52/288.1, 287.1; 292/347, 336.3;**  
**70/78, 80, 95, 97**  
See application file for complete search history.

3,524,215	A	*	8/1970	Kurtz	.....	16/443
D225,006	S	*	10/1972	Muse	.....	D25/117
D272,714	S	*	2/1984	LeGrand	.....	D8/301
4,547,160	A	*	10/1985	Labelle	.....	434/195
4,805,860	A	*	2/1989	Holmstrom	.....	248/220.1
4,825,612	A	*	5/1989	Tupman	.....	52/371
D333,967	S	*	3/1993	Shepherd	.....	D8/313
D402,529	S	*	12/1998	Husted	.....	D8/313
D441,576	S	*	5/2001	Foster	.....	D6/509
D445,664	S	*	7/2001	Foster	.....	D8/301
D459,622	S	*	7/2002	Lio et al.	.....	D6/510
D507,959	S	*	8/2005	Mottini	.....	D8/354
D583,220	S	*	12/2008	Ni	.....	D8/353
7,681,372	B2	*	3/2010	Rissone	.....	52/717.01
D705,639	S	*	5/2014	Kaishian et al.	.....	D8/313
D706,618	S	*	6/2014	Brenghause et al.	.....	D8/400

\* cited by examiner

*Primary Examiner* — Paula Greene

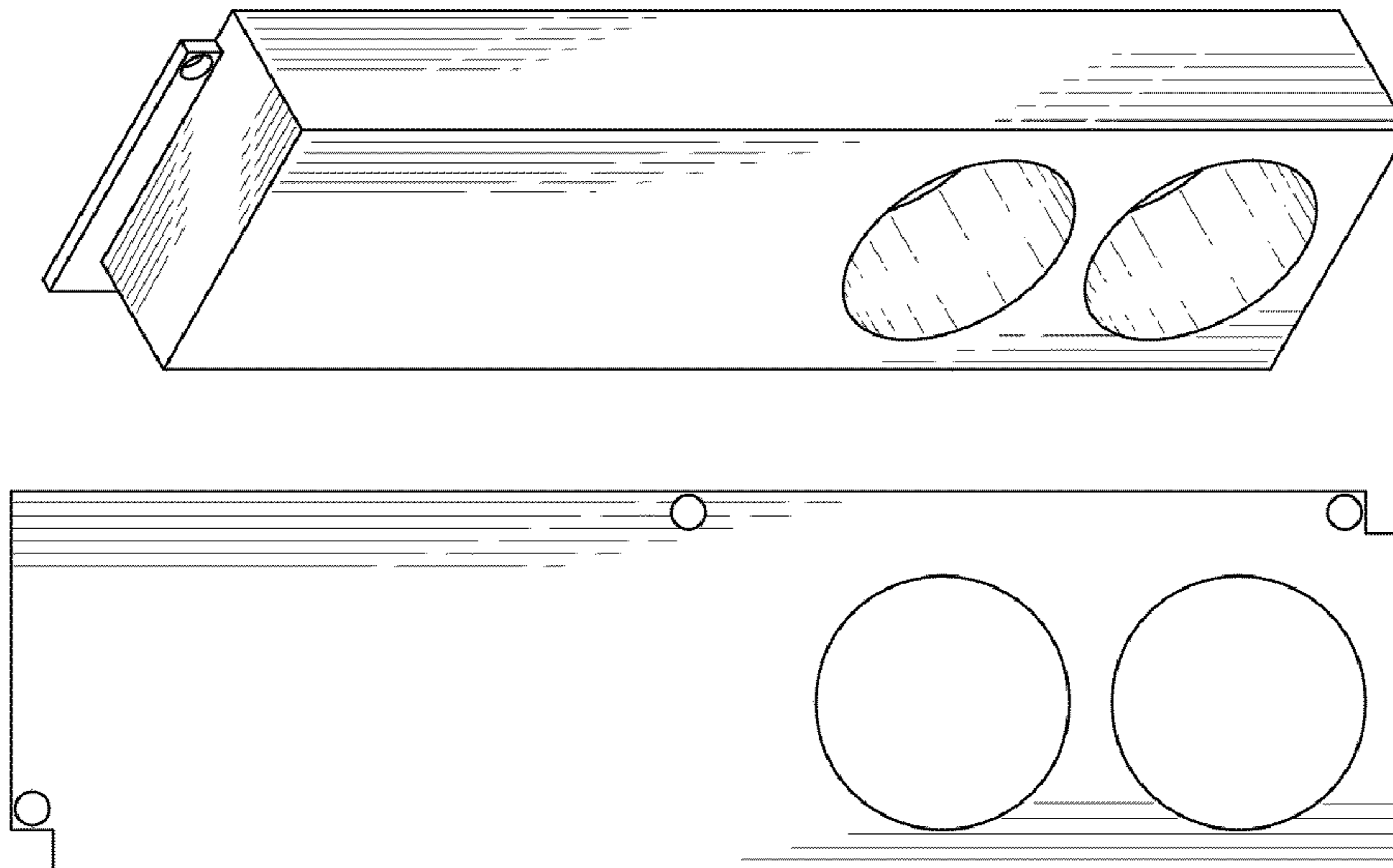
(57) **CLAIM**  
The ornamental design for a round cabinet pull, as shown and described.

**DESCRIPTION**

FIG. 1 is a perspective view of a round cabinet pull;  
 FIG. 2 is a front elevational view thereof;  
 FIG. 3 is a rear elevational view thereof;  
 FIG. 4 is a left side view thereof;  
 FIG. 5 is a right side view thereof;  
 FIG. 6 is a top plan view thereof;  
 FIG. 7 is a bottom plan view thereof; and,  
 FIG. 8 is a perspective view thereof as installed in a door, drawer, or similar structure.  
 The broken line showing of a door in FIG. 8 is included for the purpose of showing environmental structure and forms no part of the claimed design.

**1 Claim, 8 Drawing Sheets**

- (56) **References Cited**  
U.S. PATENT DOCUMENTS
- |           |   |   |         |               |       |         |
|-----------|---|---|---------|---------------|-------|---------|
| D30,321   | S | * | 3/1899  | Smith         | ..... | D8/71   |
| 1,099,387 | A | * | 6/1914  | Mather et al. | ..... | 70/104  |
| 1,436,287 | A | * | 11/1922 | Penney        | ..... | 16/443  |
| 1,761,582 | A | * | 6/1930  | Pelton        | ..... | 16/443  |
| D100,871  | S | * | 8/1936  | Marcus        | ..... | D8/300  |
| 2,093,341 | A | * | 9/1937  | Reiche        | ..... | 446/104 |
| 2,132,647 | A | * | 10/1938 | Robins        | ..... | 446/94  |
| D181,785  | S | * | 12/1957 | Duvall        | ..... | D8/306  |
| D182,170  | S | * | 2/1958  | Fink          | ..... | D8/404  |
| 3,430,404 | A | * | 3/1969  | Muse          | ..... | 52/439  |



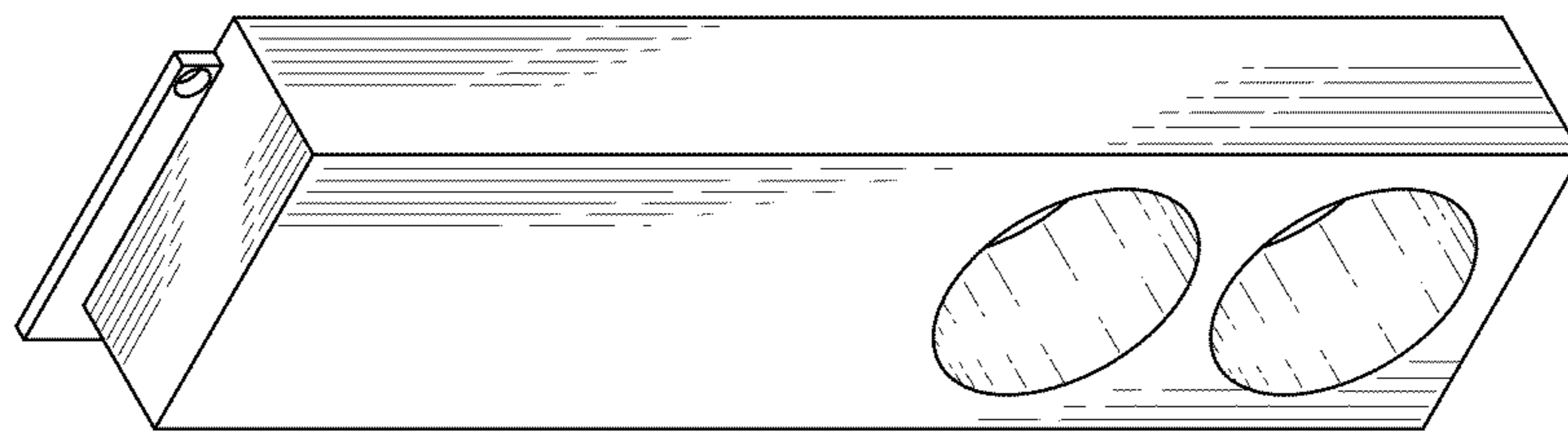


FIG. 1

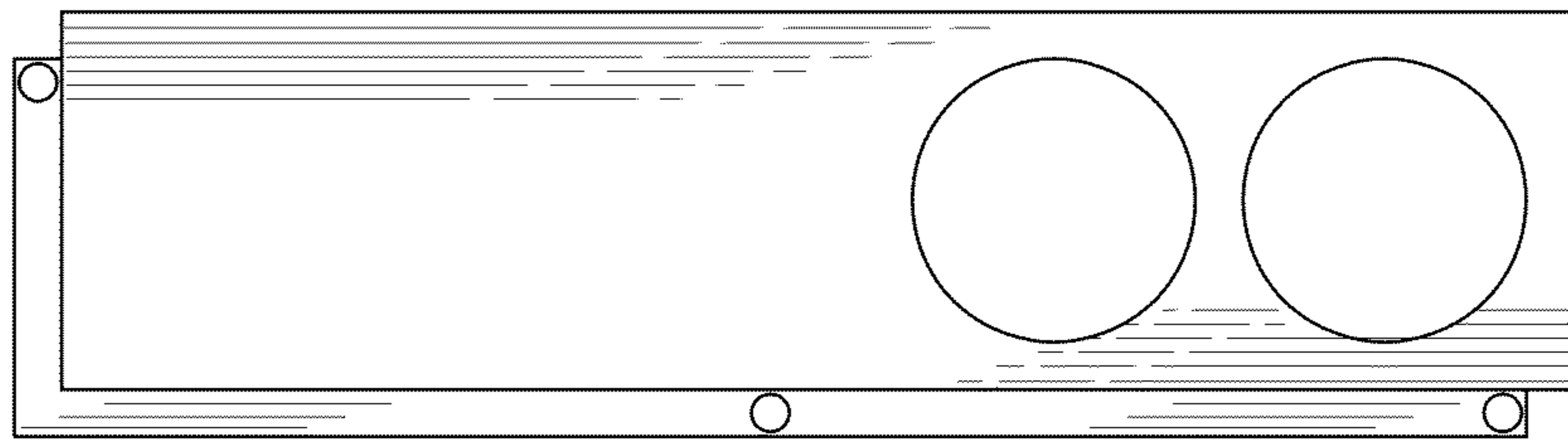


FIG. 2

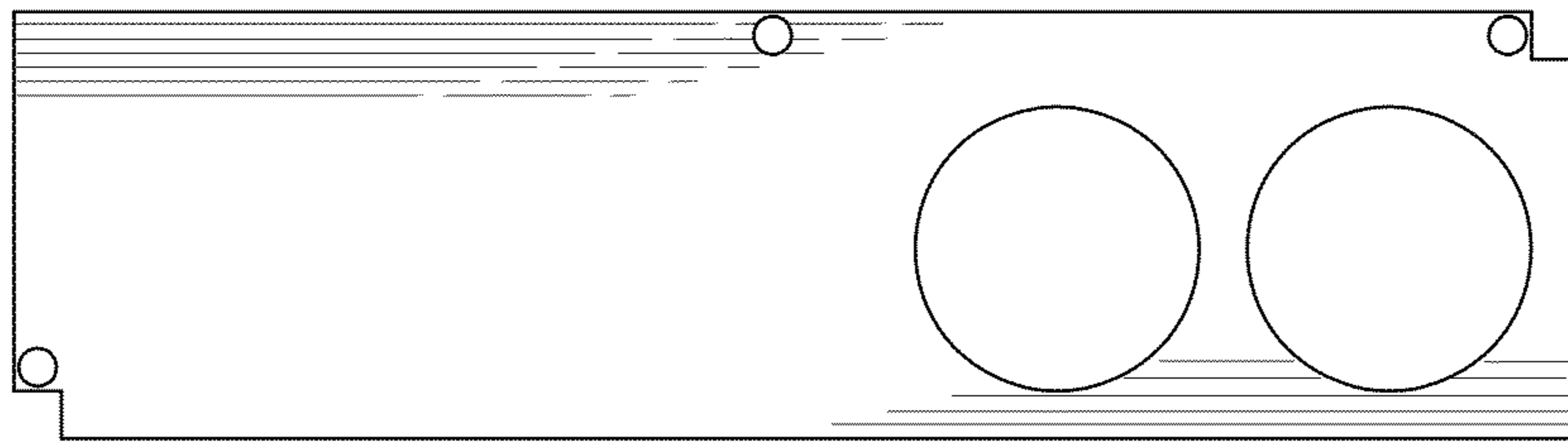


FIG. 3



FIG. 4

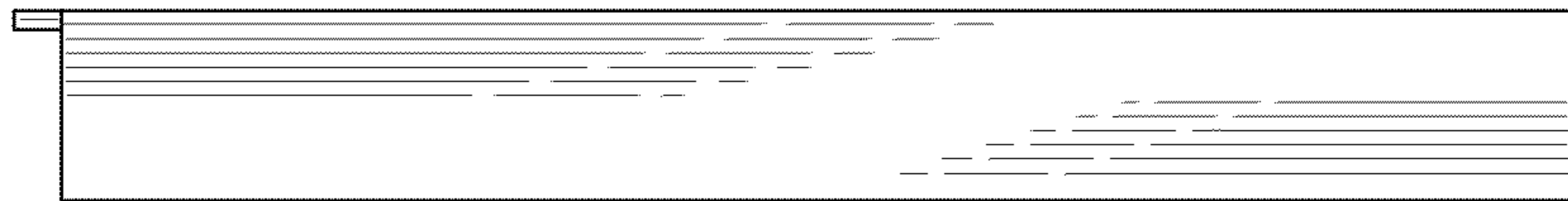


FIG. 5

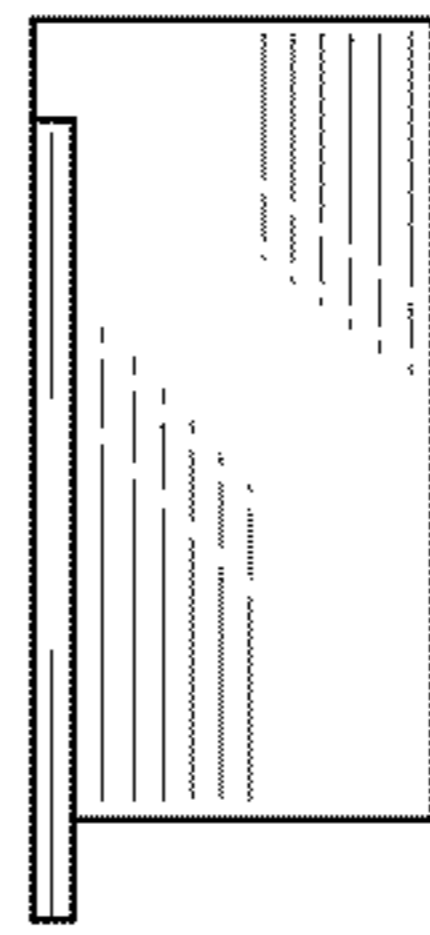


FIG. 6

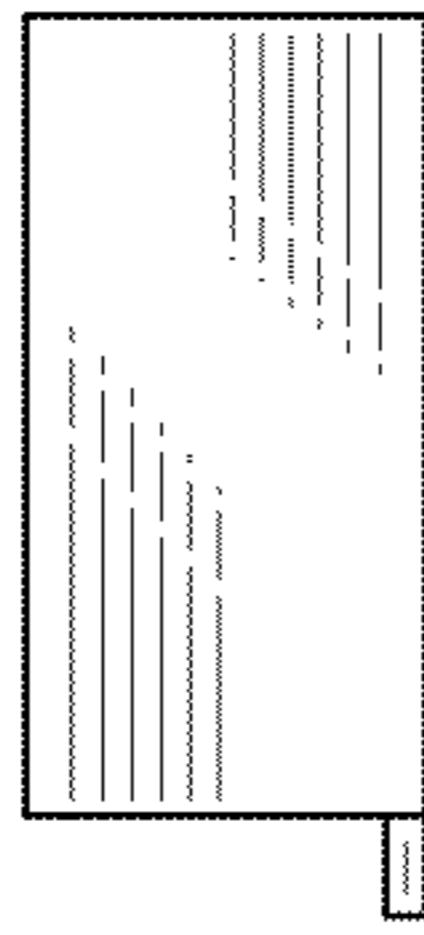


FIG. 7



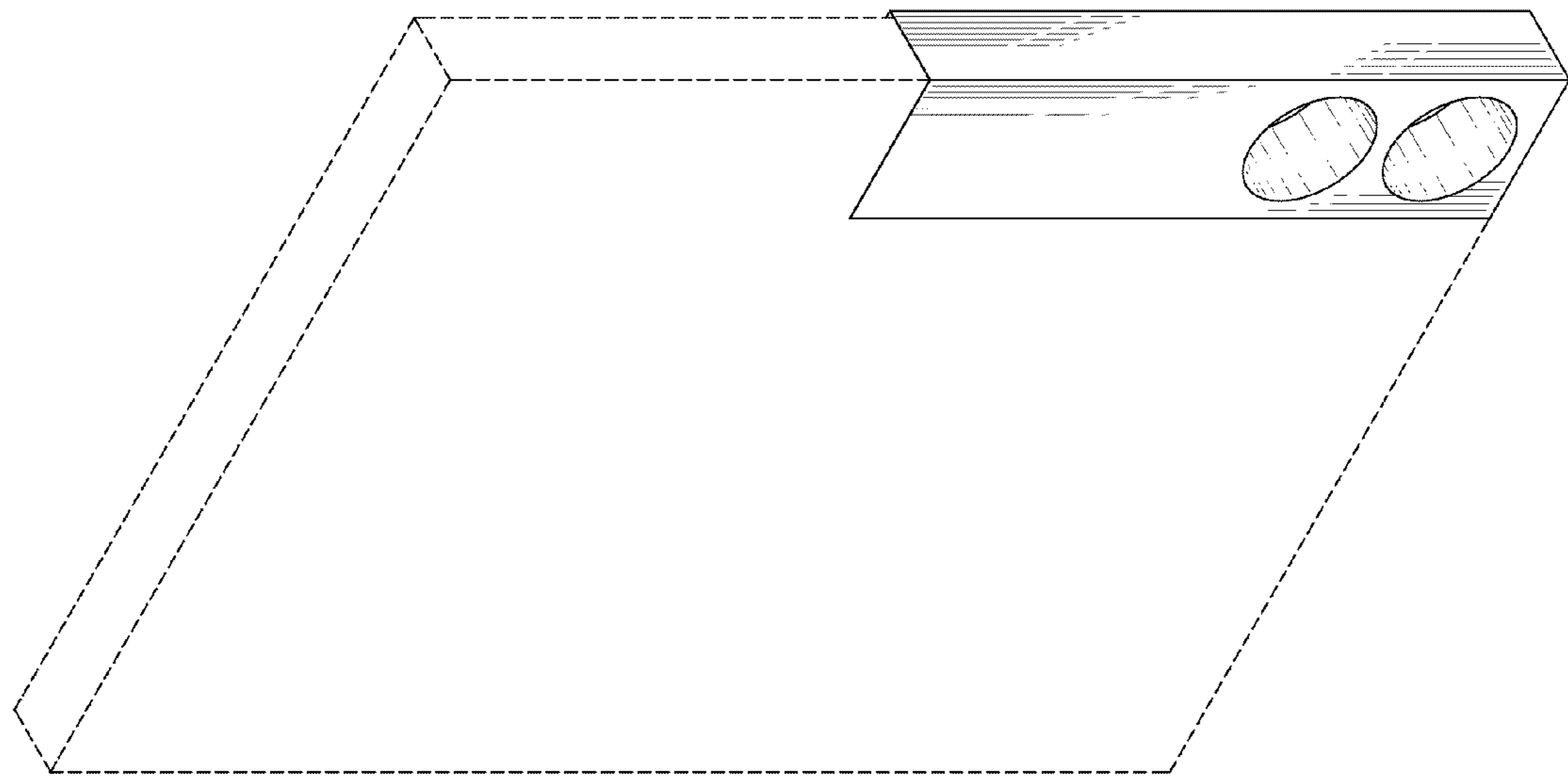


FIG. 8