



US00D720977S

(12) **United States Design Patent**
Fukui et al.

(10) **Patent No.:** **US D720,977 S**
(45) **Date of Patent:** **** Jan. 13, 2015**

(54) **CLAMPING DEVICE**

(71) Applicant: **SMC Corporation**, Tokyo (JP)

(72) Inventors: **Chiaki Fukui**, Tsukubamirai (JP); **Youji Takakuwa**, Tsukubamirai (JP); **Kenichi Takeda**, Tsukubamirai (JP)

(73) Assignee: **SMC Corporation**, Chiyoda-ku, Tokyo (JP)

(**) Term: **14 Years**

(21) Appl. No.: **29/469,894**

(22) Filed: **Oct. 15, 2013**

(30) **Foreign Application Priority Data**

Apr. 18, 2013 (JP) 2013-008755

(51) **LOC (10) Cl.** **08-05**

(52) **U.S. Cl.**
USPC **D8/72**

(58) **Field of Classification Search**
USPC D8/71-74, 394, 59; 248/72, 689, 124.2;
81/487; 269/3, 4, 6, 143, 165, 240,
269/243, 246-249, 254 R, 147-149; 29/256,
29/257, 276; 408/103, 104-109
See application file for complete search history.

(56) **References Cited**

U.S. PATENT DOCUMENTS

5,676,357 A * 10/1997 Horn 269/254 R
D438,441 S * 3/2001 Nagai et al. D8/72
6,471,199 B2 * 10/2002 Nagai et al. 269/243
6,473,953 B1 * 11/2002 Portnoff 29/241
D587,087 S * 2/2009 Takeda et al. D8/72

D588,431 S * 3/2009 Fukano et al. D8/72
D590,686 S * 4/2009 Fukano et al. D8/72
D609,546 S * 2/2010 Fukano et al. D8/72
7,963,514 B2 * 6/2011 Li et al. 269/61
8,303,007 B2 * 11/2012 Fukano et al. 269/240
D694,085 S * 11/2013 Fukano et al. D8/72
2006/0113720 A1 * 6/2006 Ferroud Plattet et al. 269/32
2007/0069439 A1 * 3/2007 McIntosh et al. 269/32

* cited by examiner

Primary Examiner — David Muller

(74) *Attorney, Agent, or Firm* — Yokoi & Co., U.S.A., Inc.;
Toshiyuki Yokoi

(57) **CLAIM**

The ornamental design for a clamping device, as shown and described.

DESCRIPTION

FIG. 1 is a front elevation view of a clamping device showing our new design;
FIG. 2 is a rear elevation view thereof;
FIG. 3 is a right side elevation view thereof;
FIG. 4 is a left side elevation view thereof;
FIG. 5 is a top plan view thereof;
FIG. 6 is a bottom plan view thereof;
FIG. 7 is a top, front and left side perspective view thereof;
FIG. 8 is a top, rear and right side perspective view thereof;
and,
FIG. 9 is a top, front and left side perspective view thereof in alternative position.
The portions of the design shown in broken lines in FIG. 6 are for the purpose of illustrating the environment only and form no part of the claimed design.

1 Claim, 8 Drawing Sheets

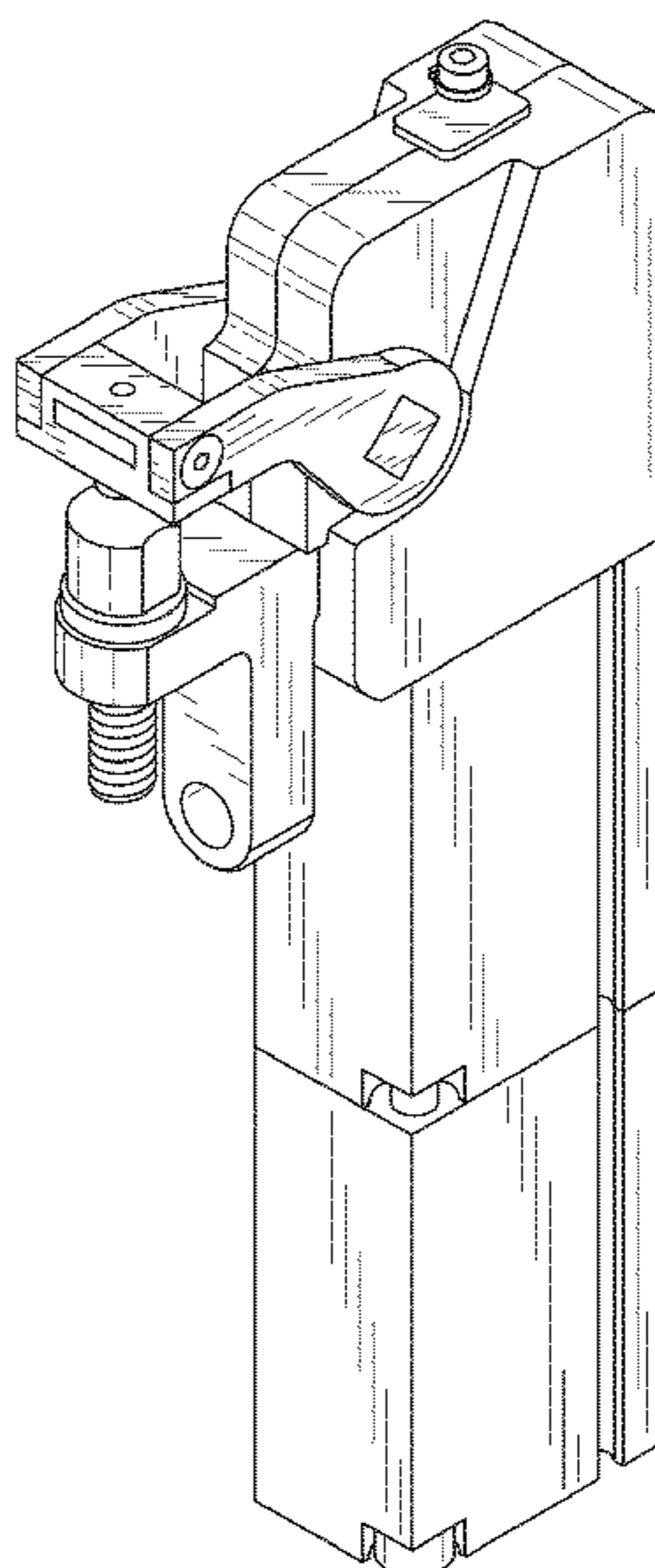


FIG. 1

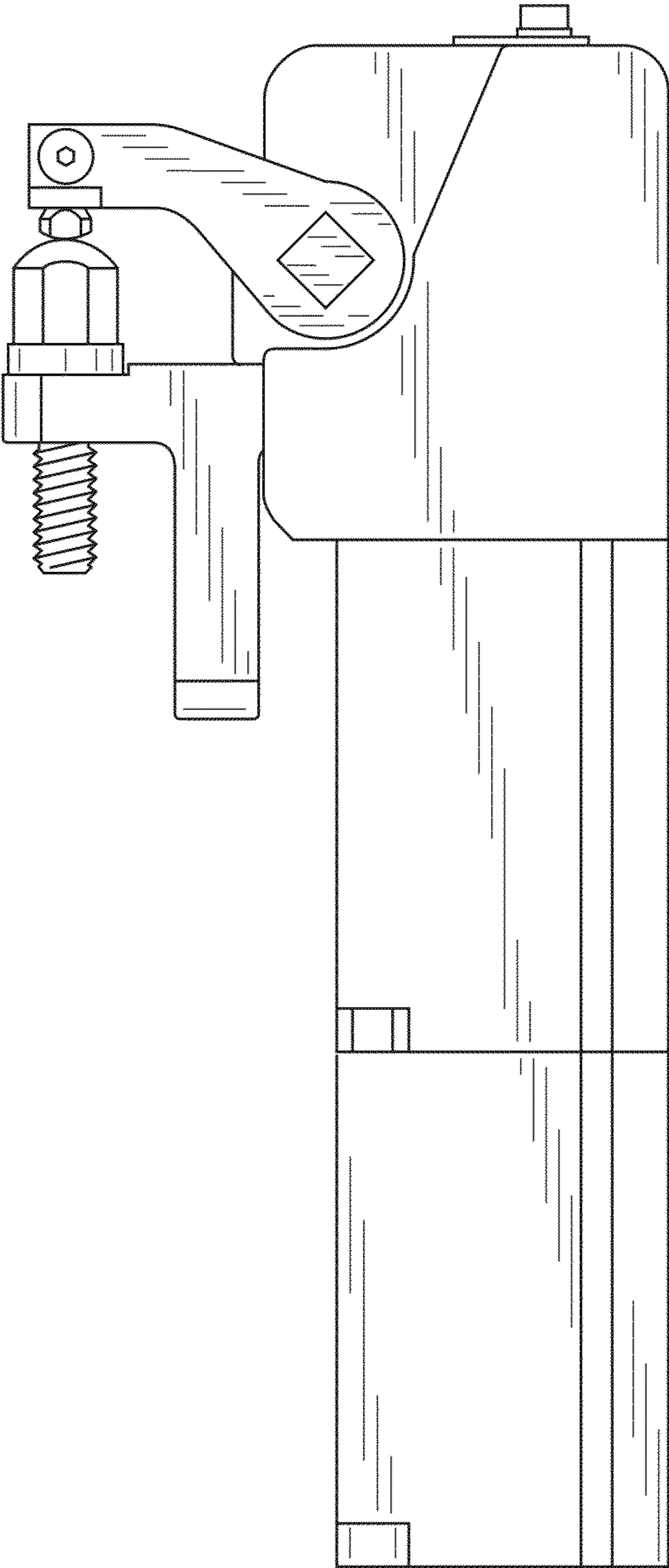


FIG. 2

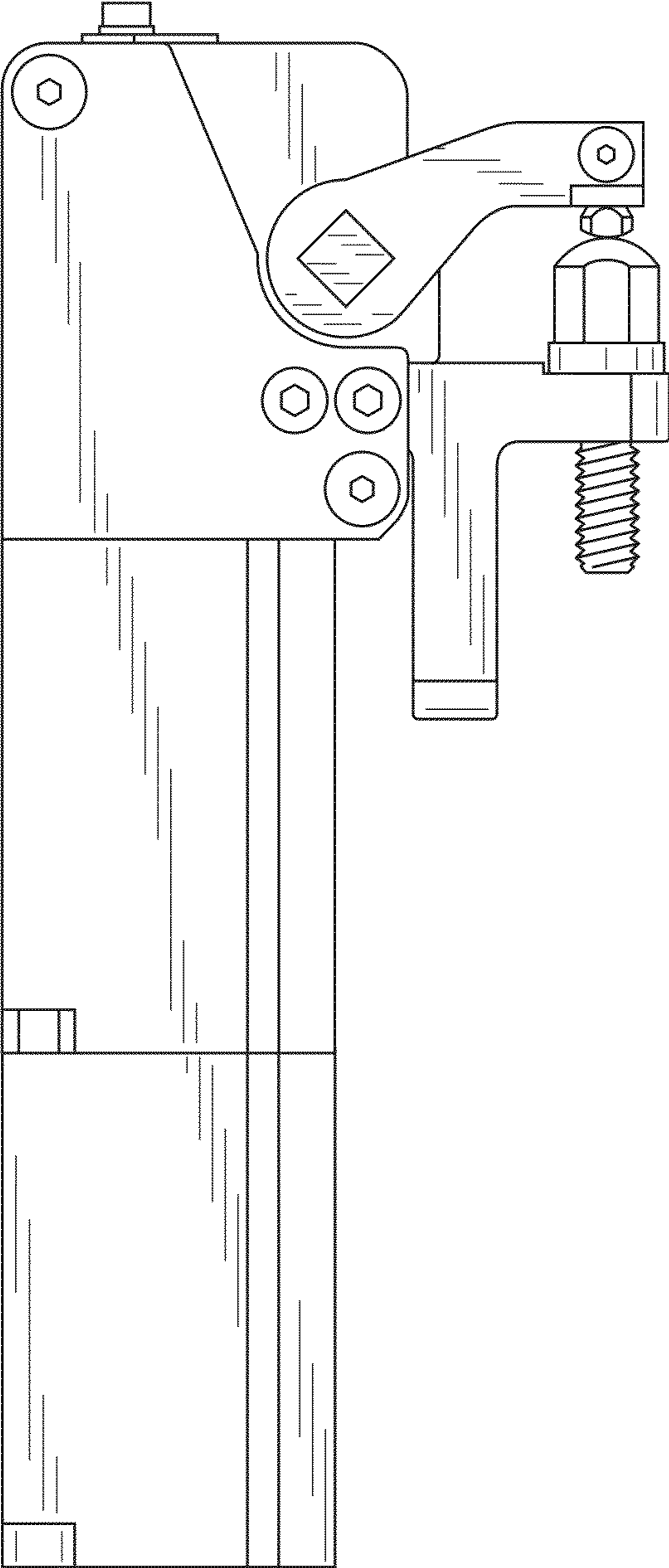


FIG. 3

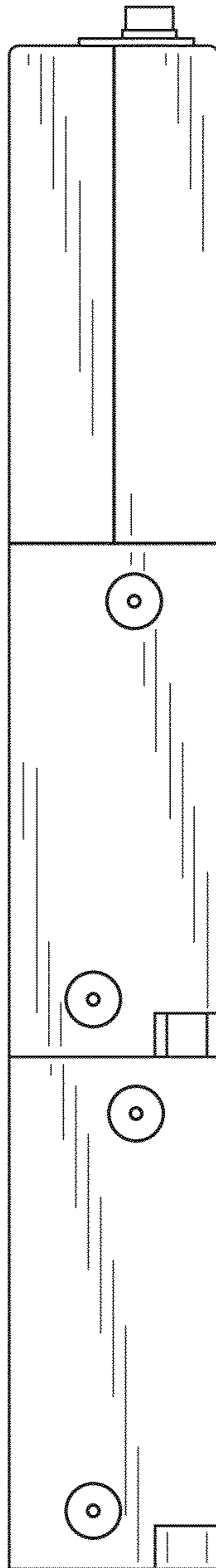


FIG. 4

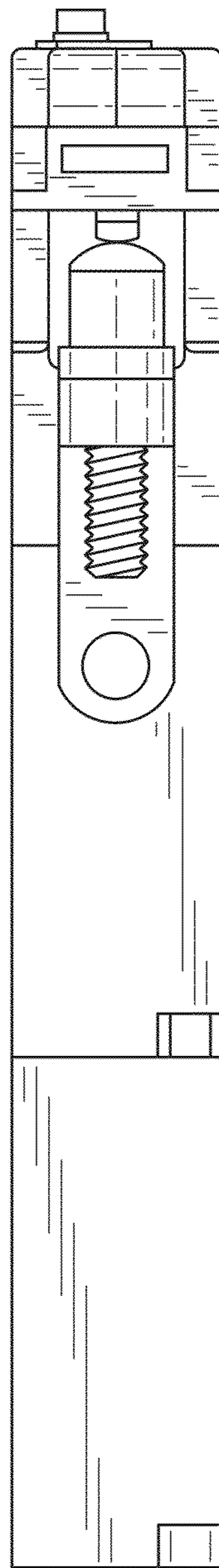


FIG. 5

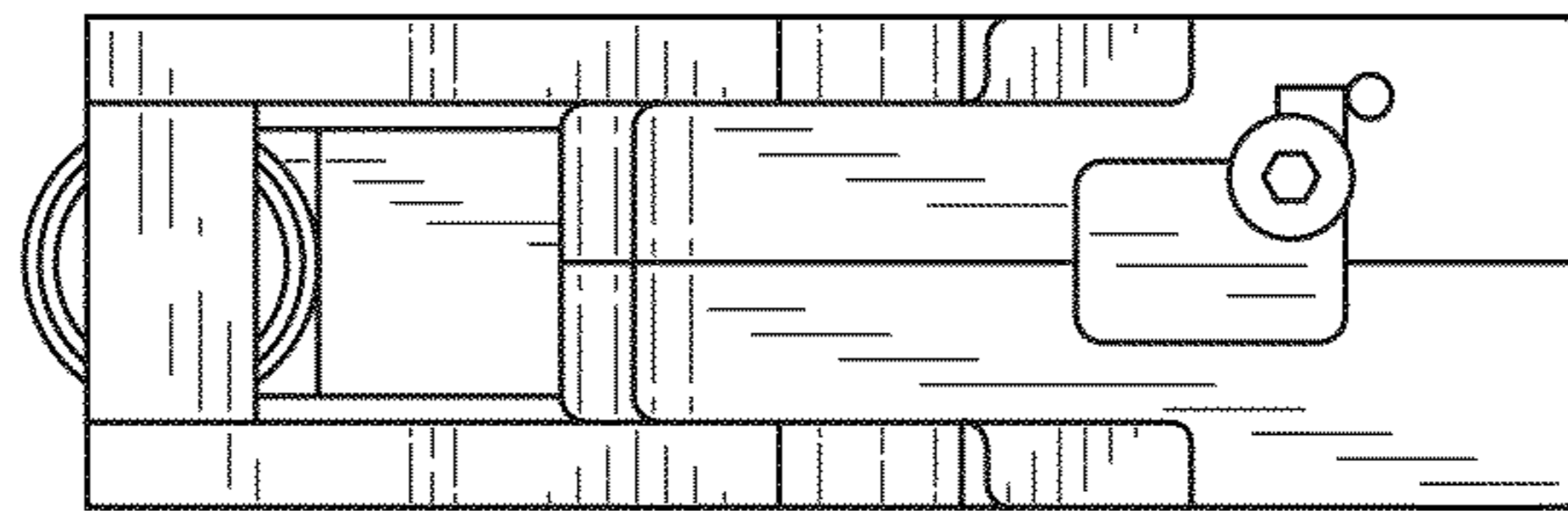


FIG. 6

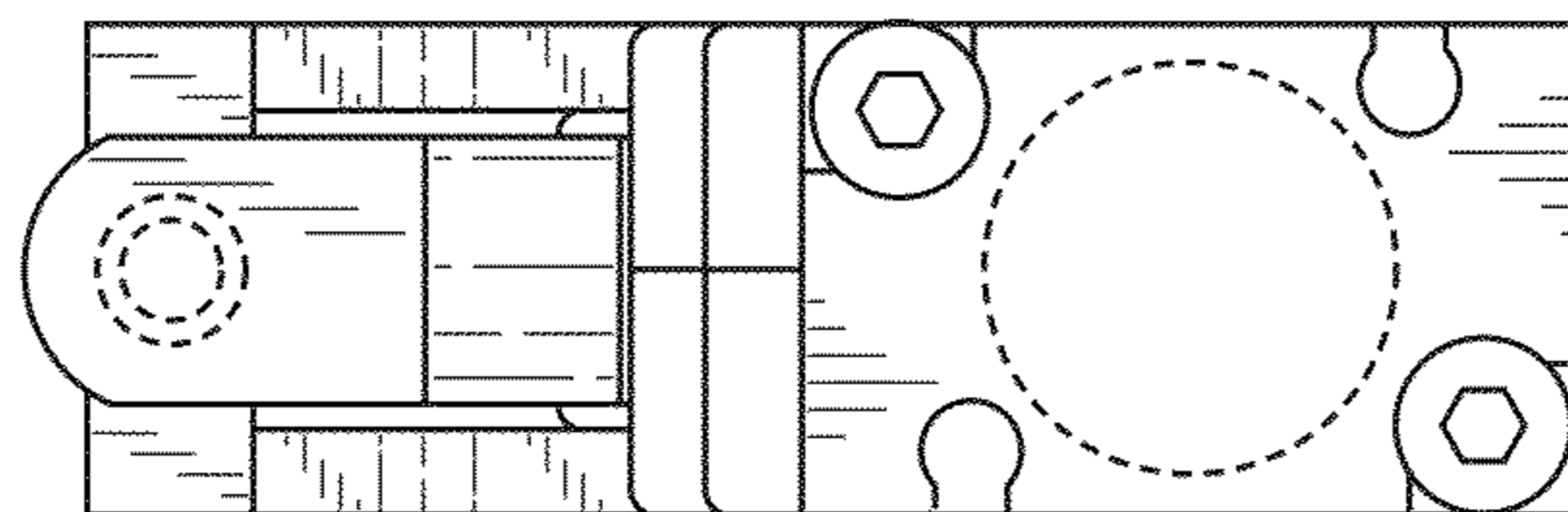


FIG. 7

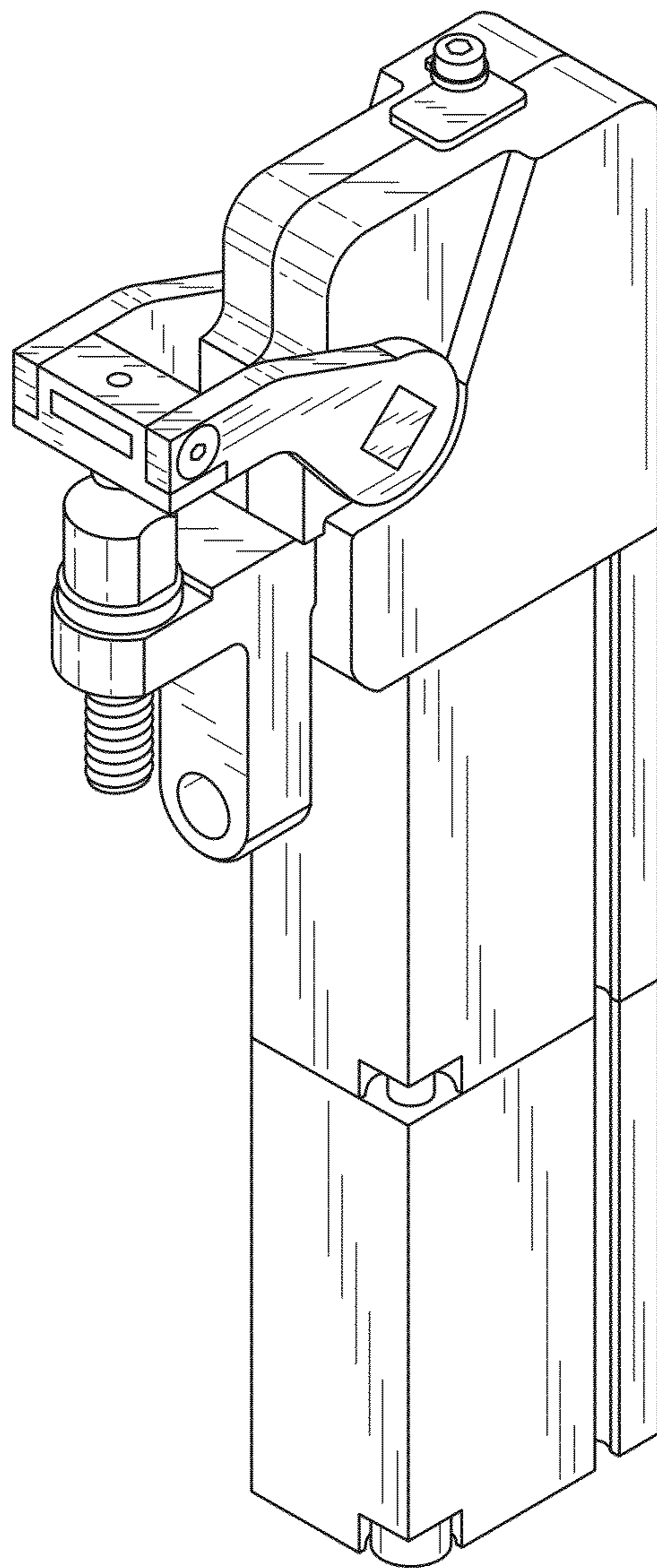


FIG. 8

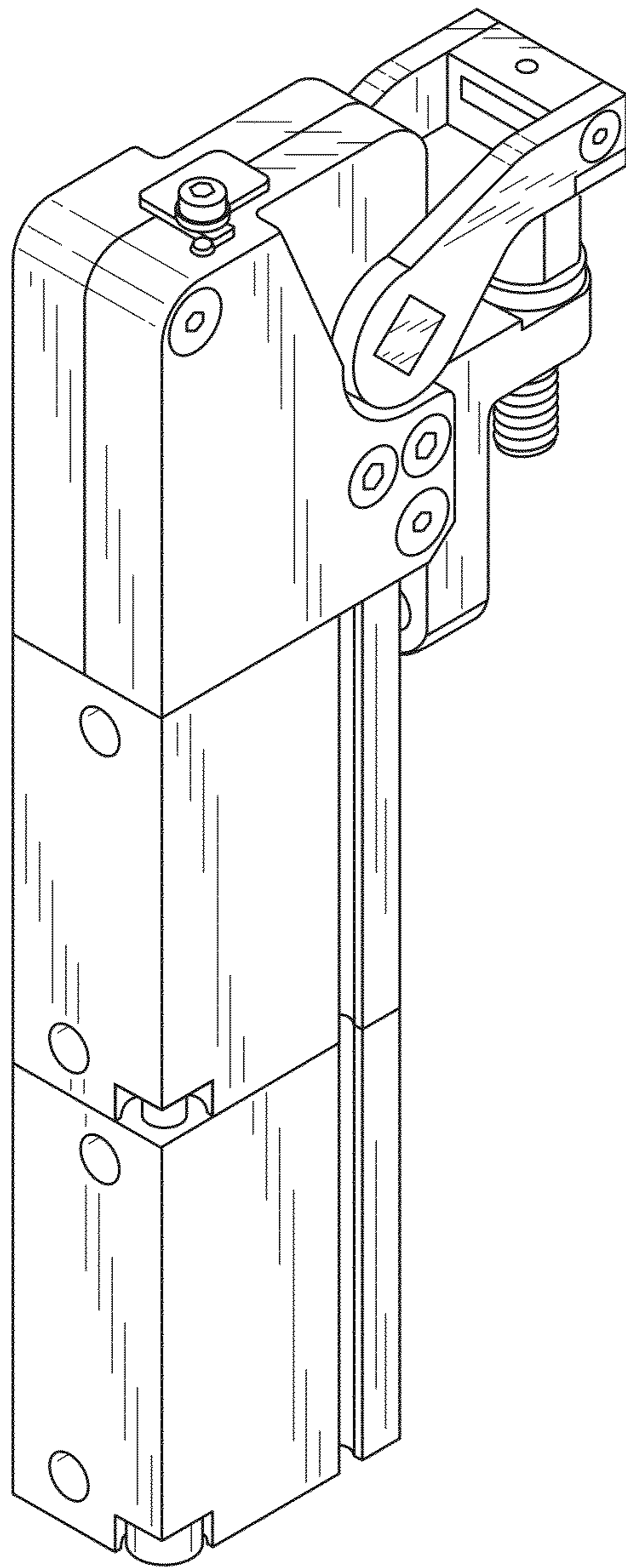


FIG. 9

