



US00D720976S

(12) **United States Design Patent**
Greiner

(10) **Patent No.:** **US D720,976 S**
(45) **Date of Patent:** **** Jan. 13, 2015**

- (54) **CAN OPENER**
- (71) Applicant: **Moha Moderne Haushaltwaren AG,**
Vernier (CH)
- (72) Inventor: **Ulrich Greiner,** Neu-Ulm (DE)
- (73) Assignee: **Moha Moderne Haushaltwaren AG,**
Vernier (CH)
- (**) Term: **14 Years**
- (21) Appl. No.: **29/487,624**
- (22) Filed: **Apr. 10, 2014**
- (30) **Foreign Application Priority Data**
Dec. 12, 2013 (WO) 780558301
- (51) **LOC (10) Cl.** **07-99**
- (52) **U.S. Cl.**
USPC **D8/41**
- (58) **Field of Classification Search**
USPC D8/14, 16, 18, 19, 33-43, 88, 89, 105,
D8/107, 309; 7/112, 113, 151-156;
81/3.07, 3.09, 3.2, 3.27, 3.29, 3.31,
81/3.35, 3.37, 3.4, 3.48, 3.49, 3.55;
74/543, 545, 547, 555
See application file for complete search history.

1,713,823	A	5/1929	Edlund	
1,759,364	A	5/1930	Quigg	
1,813,620	A	7/1931	Henry	
2,865,148	A *	12/1958	Moore	451/549
3,941,010	A *	3/1976	Howell	74/545
4,117,568	A *	10/1978	Bullock	16/110.1
D292,550	S *	11/1987	Jackson	D8/309
5,150,853	A *	9/1992	Bernard et al.	242/283
D336,233	S *	6/1993	Zimmermann	D8/309
5,653,149	A *	8/1997	Cavanagh	74/545
D423,311	S	4/2000	Fitzpatrick	
6,108,917	A	8/2000	Bellis et al.	
D466,771	S	12/2002	Chang	
6,845,562	B2	1/2005	Evans	
D568,120	S *	5/2008	Peterson	D7/693
D627,615	S *	11/2010	Kushner et al.	D8/42
D655,775	S *	3/2012	Shaffer et al.	D22/107
8,167,273	B2 *	5/2012	Sjostedt	254/278
2004/0251454	A1 *	12/2004	Weed, Jr.	254/266

* cited by examiner

Primary Examiner — Elizabeth Albert
(74) *Attorney, Agent, or Firm* — Dority & Manning, P.A.

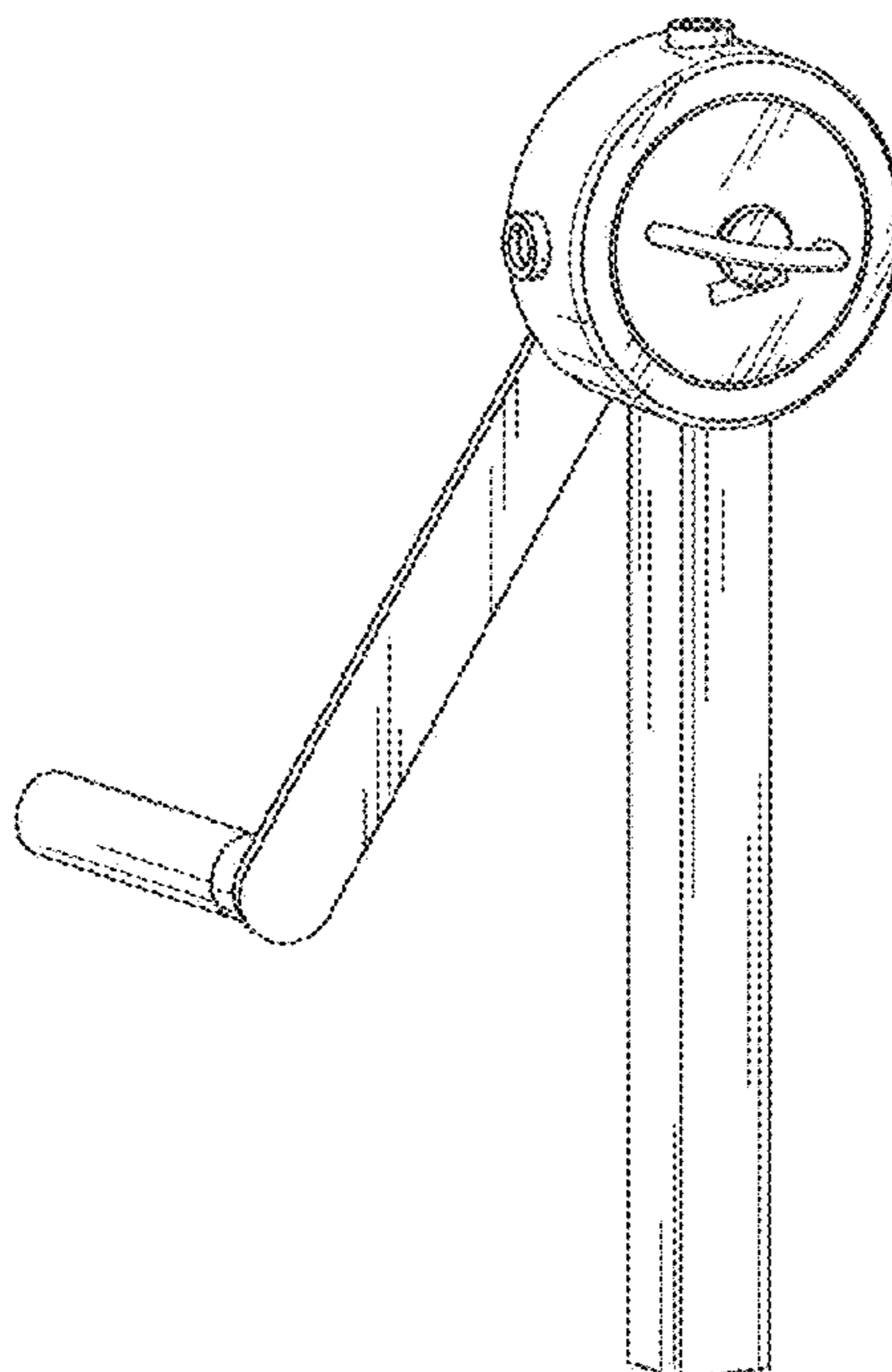
(57) **CLAIM**
The ornamental design for a can opener, as shown and described.

DESCRIPTION

FIG. 1 is a perspective view of the front of the can opener;
FIG. 2 is a front elevation view;
FIG. 3 is a back elevation view;
FIG. 4 is a right side elevation view;
FIG. 5 is a left side elevation view;
FIG. 6 is a top plan view of the can opener; and,
FIG. 7 is a bottom plan view of the can opener.

1 Claim, 4 Drawing Sheets

- (56) **References Cited**
U.S. PATENT DOCUMENTS
1,131,582 A 3/1915 Walsh
1,393,412 A 10/1921 Waller
1,592,942 A * 7/1926 Hanson 74/548



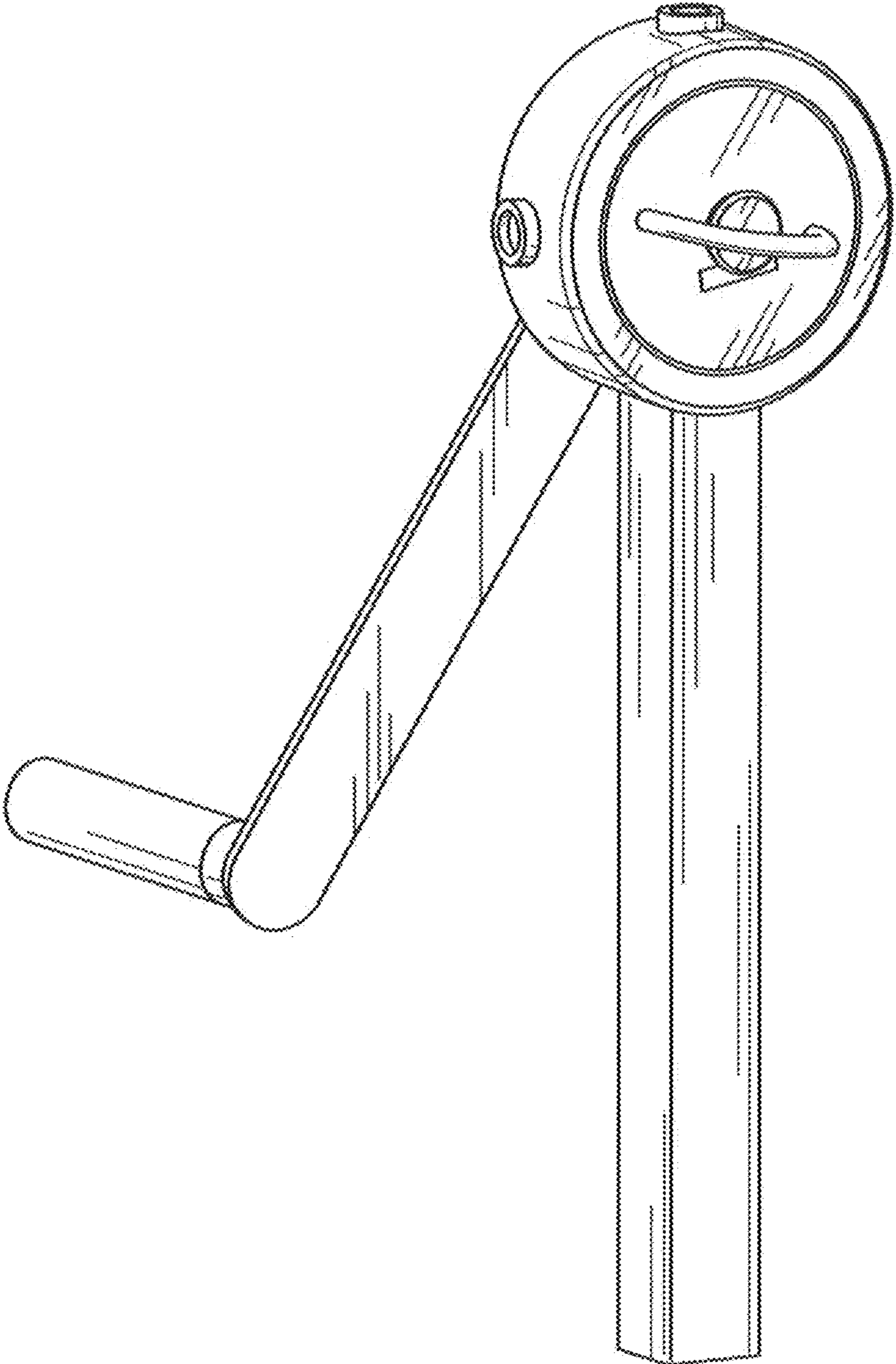


FIG. 1

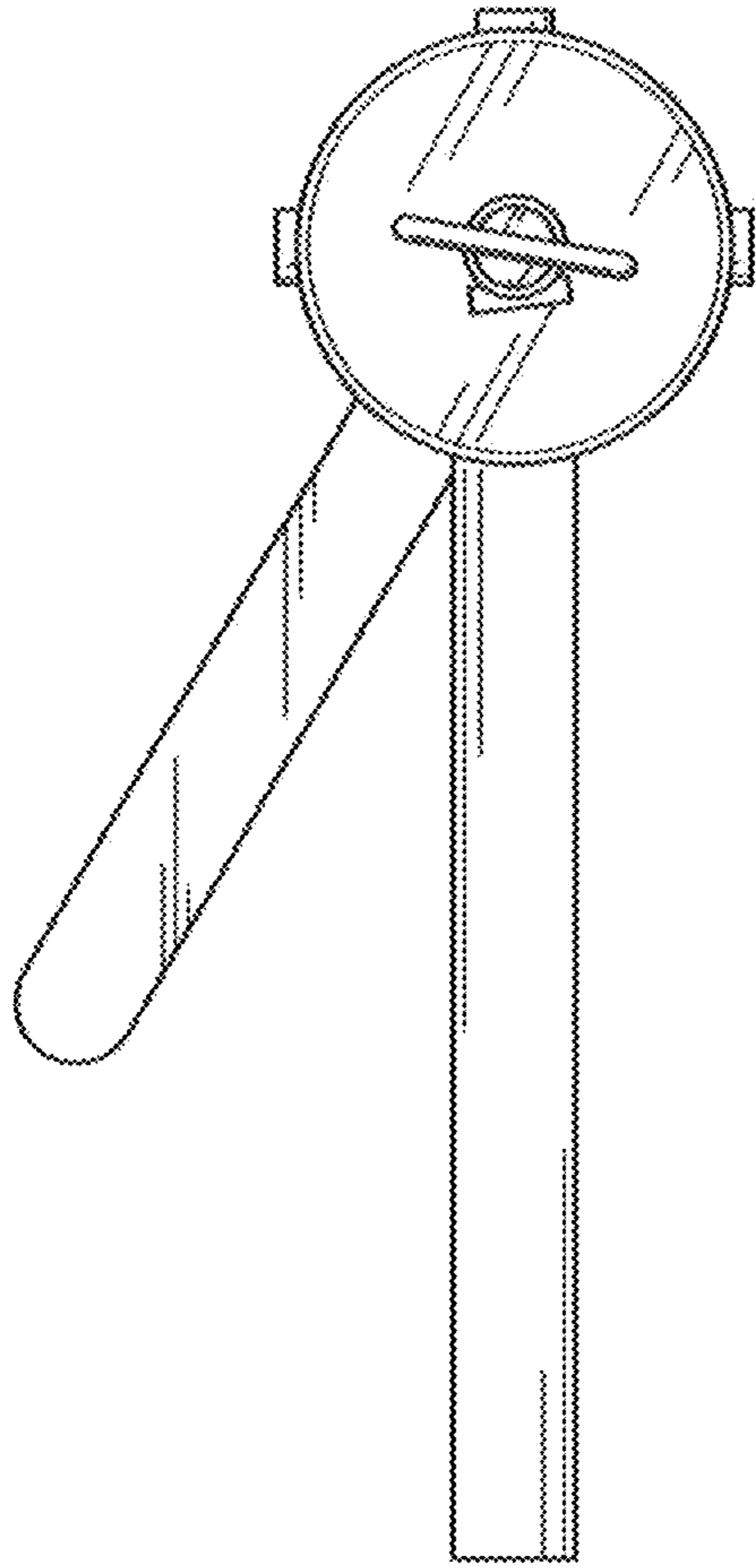


FIG. 2

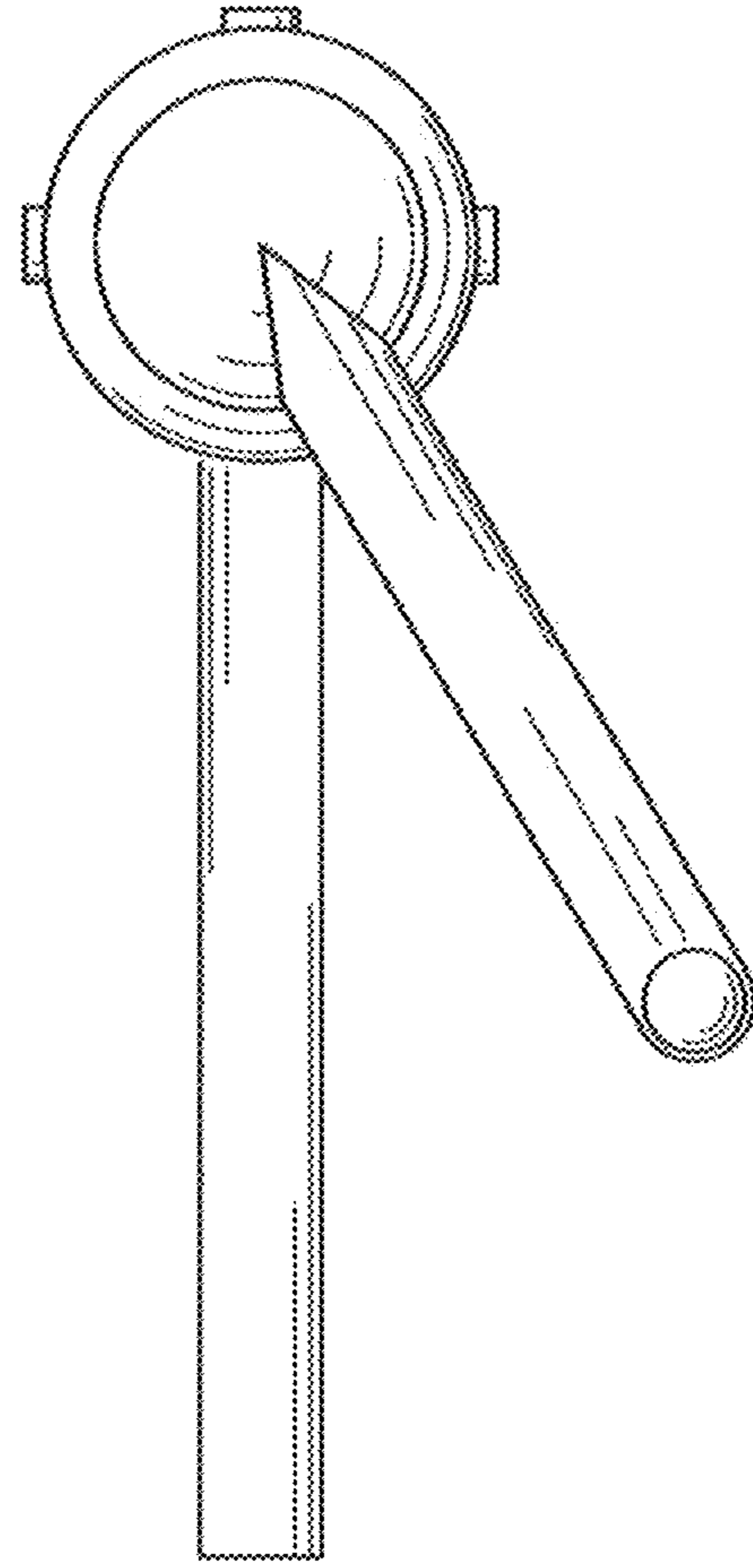


FIG. 3

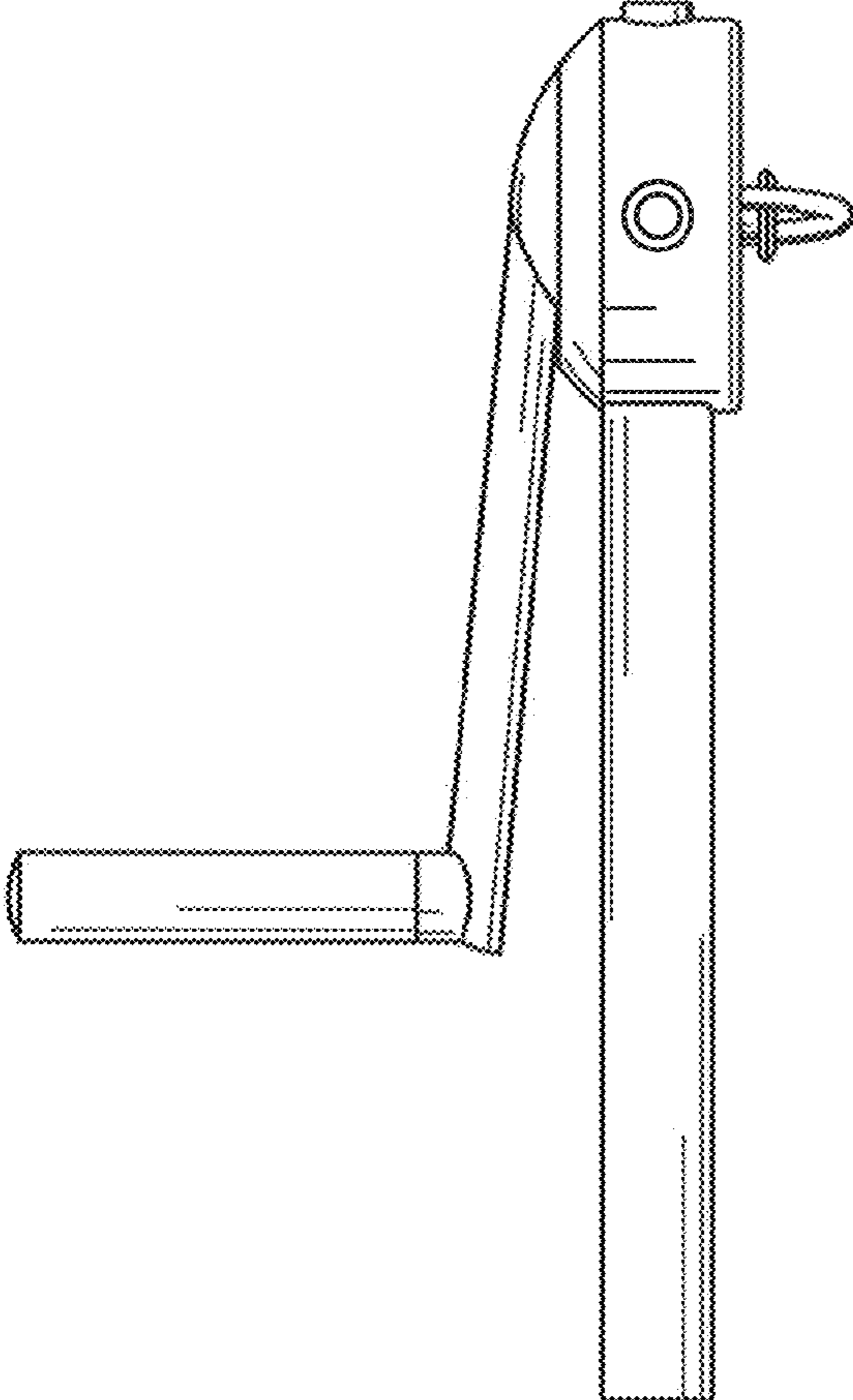


FIG. 4

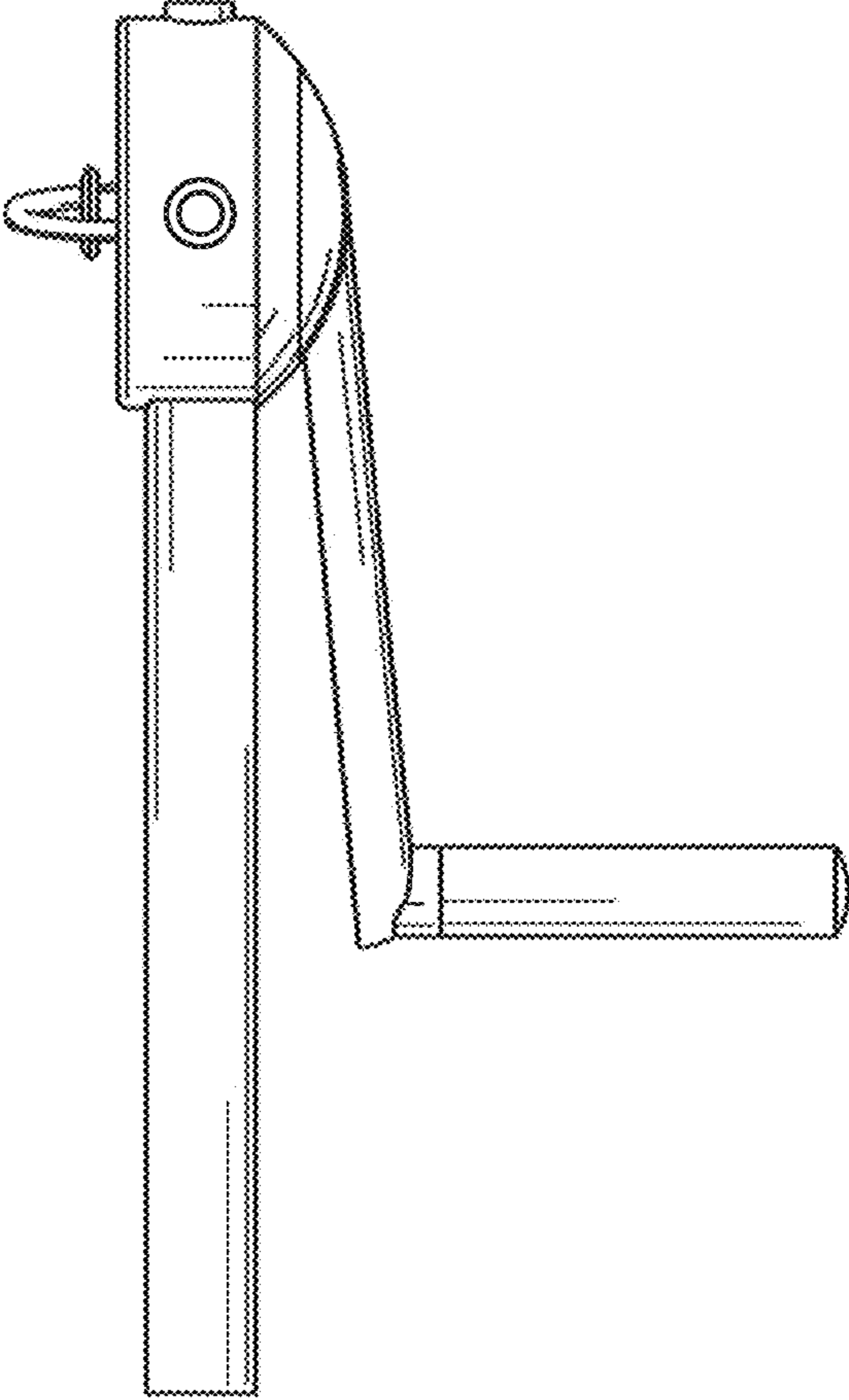


FIG. 5

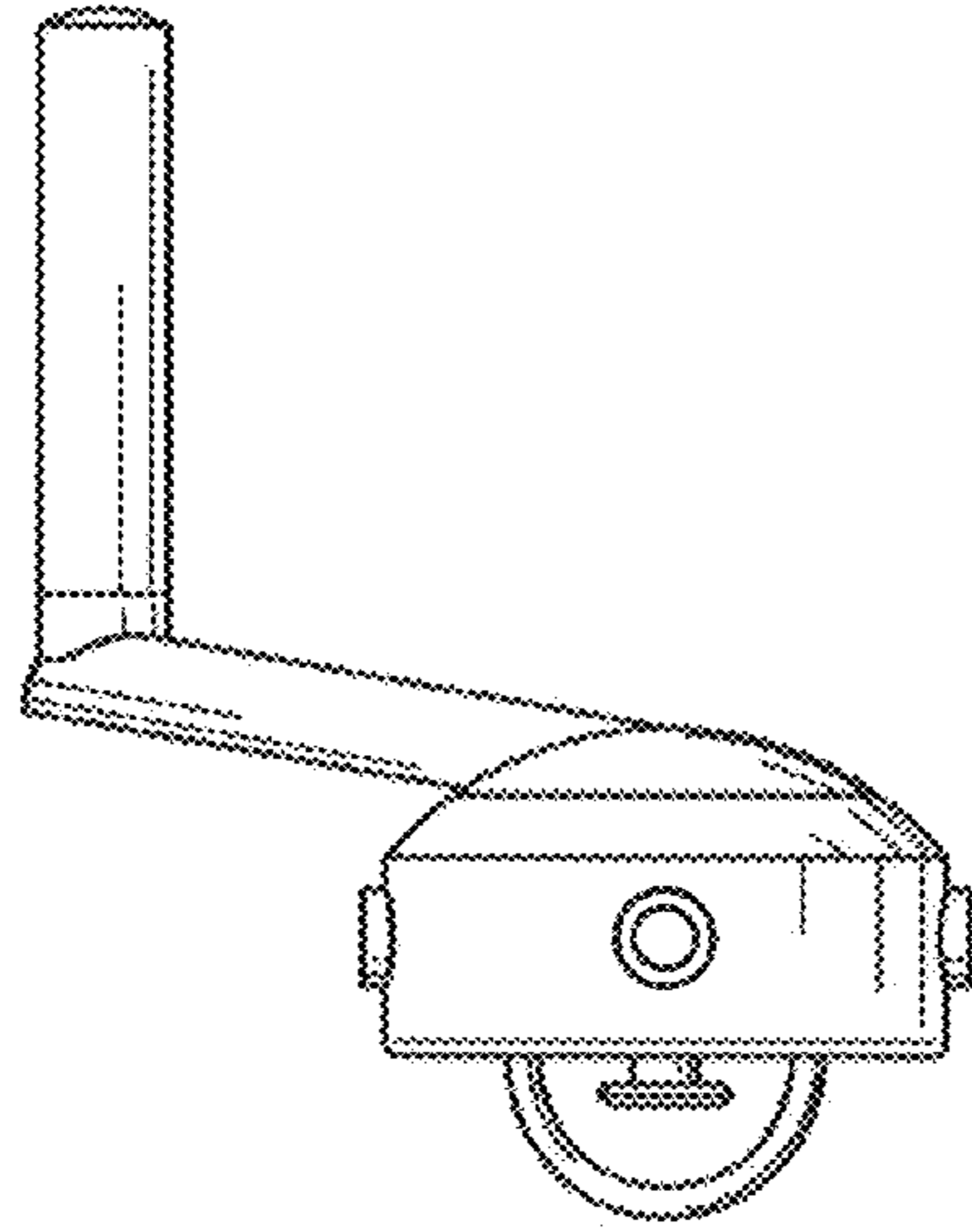


FIG. 6

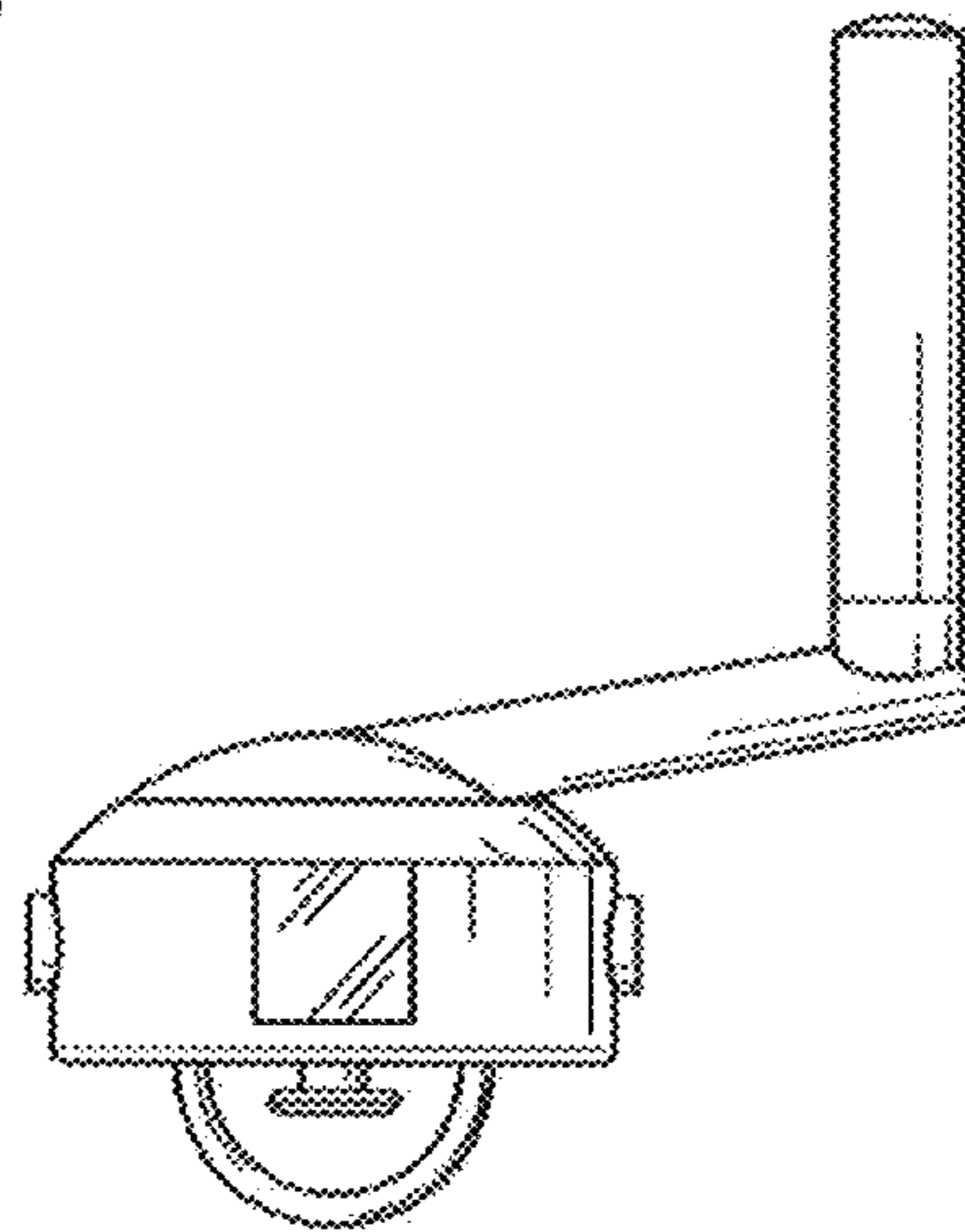


FIG. 7