



US00D720974S

(12) **United States Design Patent**
Papazian

(10) **Patent No.:** **US D720,974 S**
(45) **Date of Patent:** **** Jan. 13, 2015**

- (54) **WRENCH**
- (71) Applicant: **Harry Papazian**, Staten Island, NY
(US)
- (72) Inventor: **Harry Papazian**, Staten Island, NY
(US)
- (**) Term: **14 Years**
- (21) Appl. No.: **29/487,167**
- (22) Filed: **Apr. 6, 2014**
- (51) **LOC (10) Cl.** **08-05**
- (52) **U.S. Cl.**
USPC **D8/22**
- (58) **Field of Classification Search**
USPC D8/21-23, 82, 83, 88, 89, 107; 81/60,
81/177.1, 177.85, 121.1, 124.3, 165-170,
81/110.1, 176.2, 124.6, 176.1, 176.15,
81/177.2, 133, 157, 173
See application file for complete search history.

4,234,987 A *	11/1980	Charette	7/139
4,356,743 A	11/1982	Muschalek, Jr.		
5,237,715 A *	8/1993	Bane, III	7/139
5,263,392 A	11/1993	Schoen		
D351,541 S *	10/1994	Smith	D8/28
5,791,213 A	8/1998	Young		
D467,478 S *	12/2002	Harewood	D8/26
6,523,818 B1	2/2003	Le Vert et al.		
D595,555 S *	7/2009	Vanderbeek	D8/89
D607,299 S *	1/2010	Albertson	D8/105
2006/0060037 A1	3/2006	Haggerty		

* cited by examiner

Primary Examiner — Randall Gholson

(74) *Attorney, Agent, or Firm* — Michael J. Feigin, Esq.;
Feigin & Associates, LLC

(57) **CLAIM**

The ornamental design for a wrench, as shown and described.

DESCRIPTION

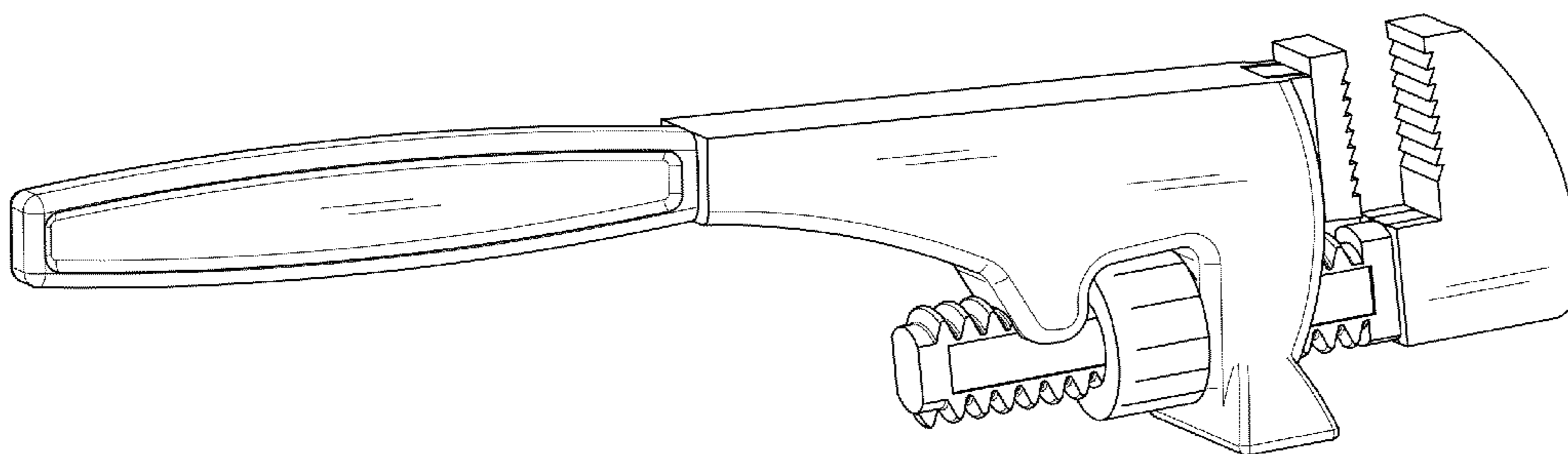
FIG. 1 is a top right side perspective view of my design for a wrench;
 FIG. 2 is a bottom right side perspective view thereof;
 FIG. 3 is a bottom front right side perspective view thereof;
 FIG. 4 is a left side view thereof;
 FIG. 5 is a top view thereof;
 FIG. 6 is a bottom view thereof; and,
 FIG. 7 is a front view thereof.

1 Claim, 7 Drawing Sheets

(56) **References Cited**

U.S. PATENT DOCUMENTS

D156,732 S *	1/1950	Hoeflicker	D8/22
2,637,235 A *	5/1953	Licari	81/180.1
3,320,836 A	5/1967	Hagerman		



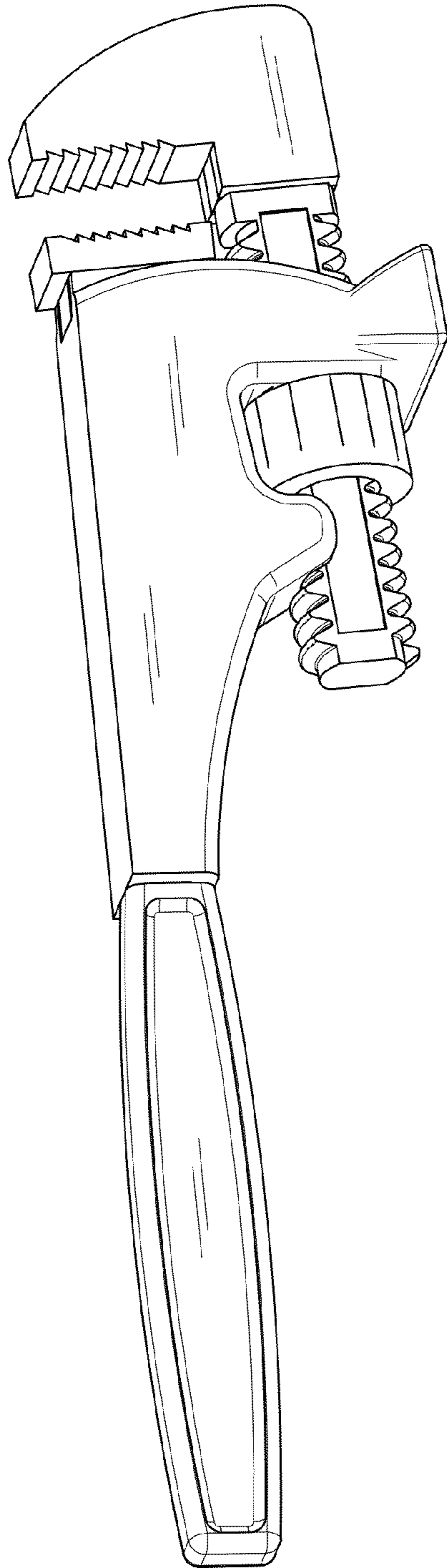


FIG. 1

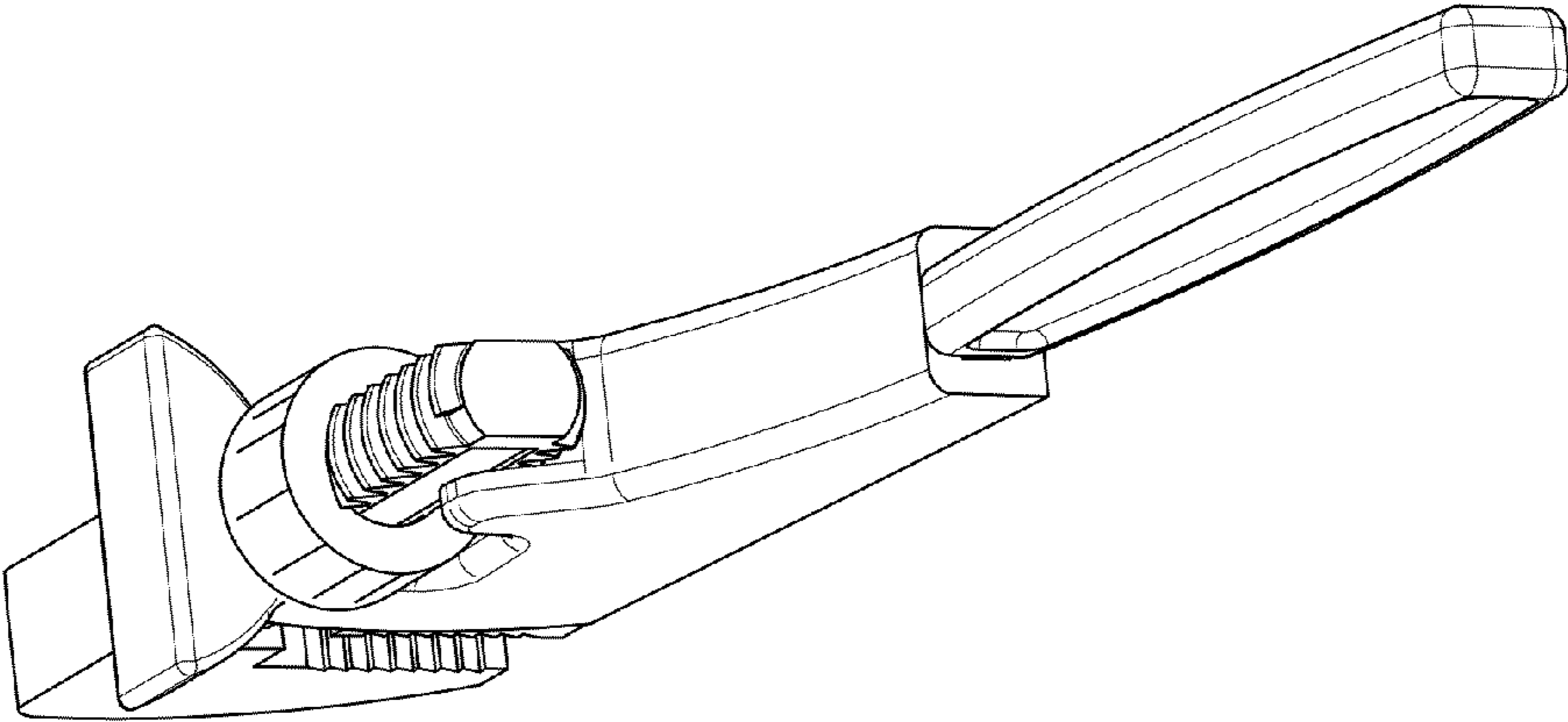


FIG. 2

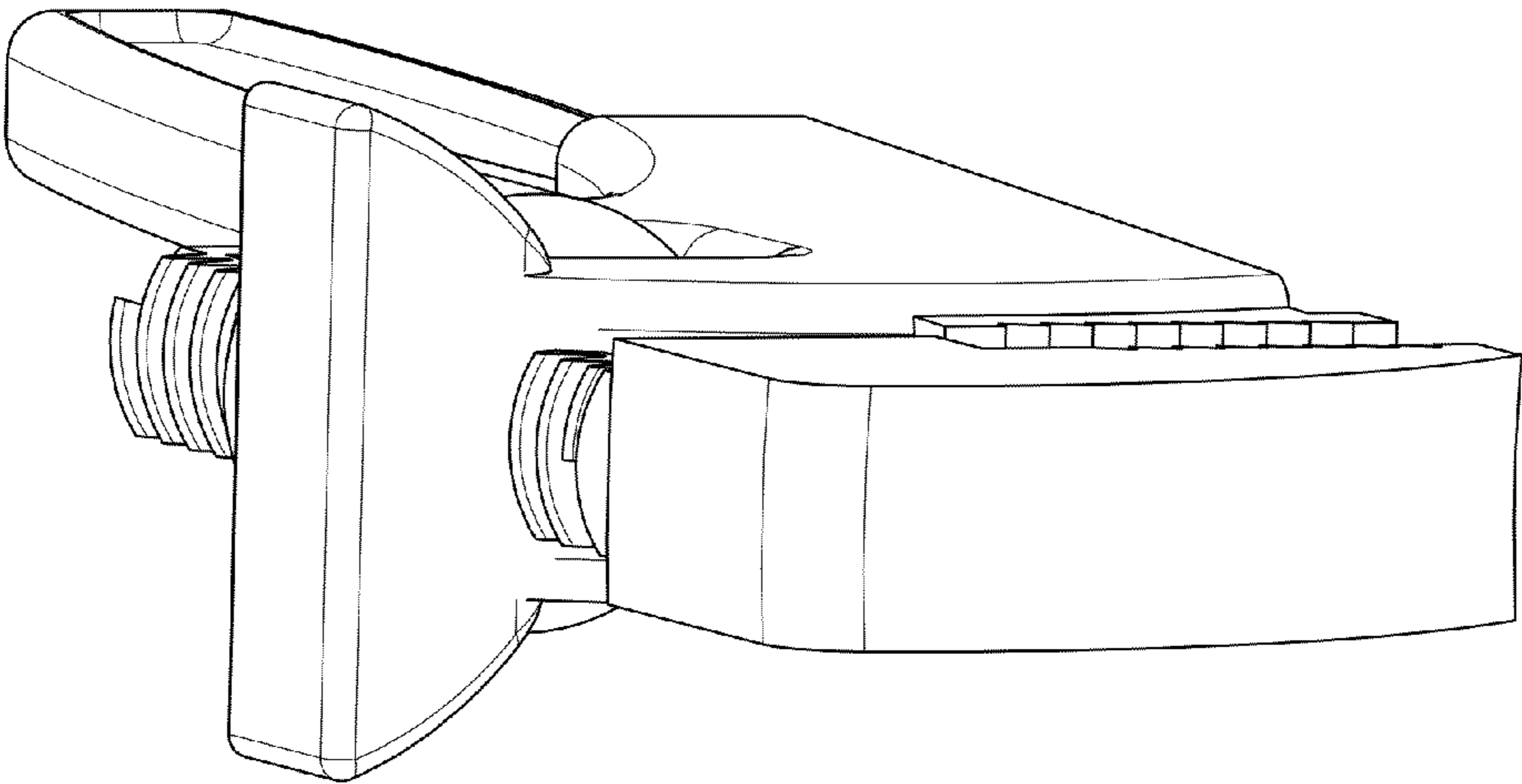


FIG. 3

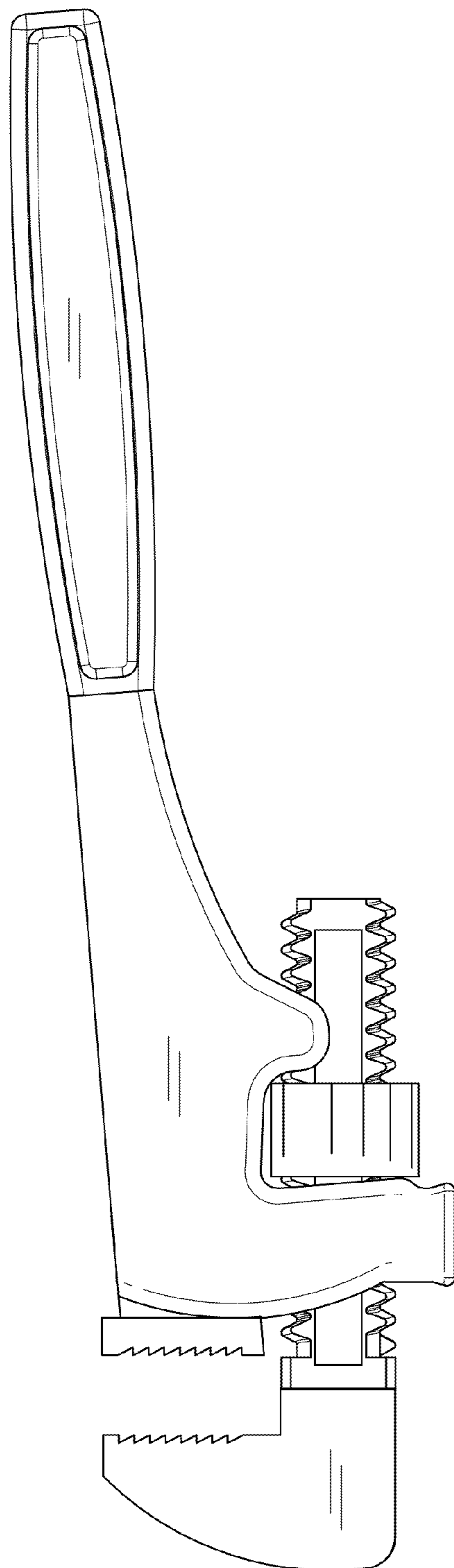


FIG. 4

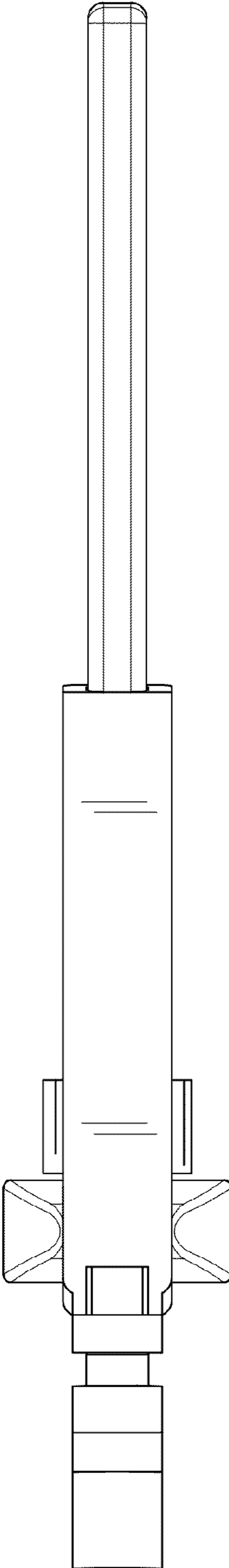


FIG. 5

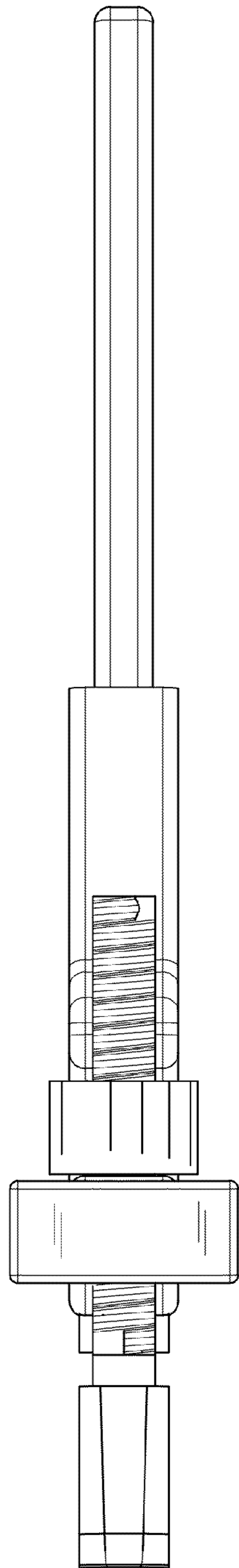


FIG. 6

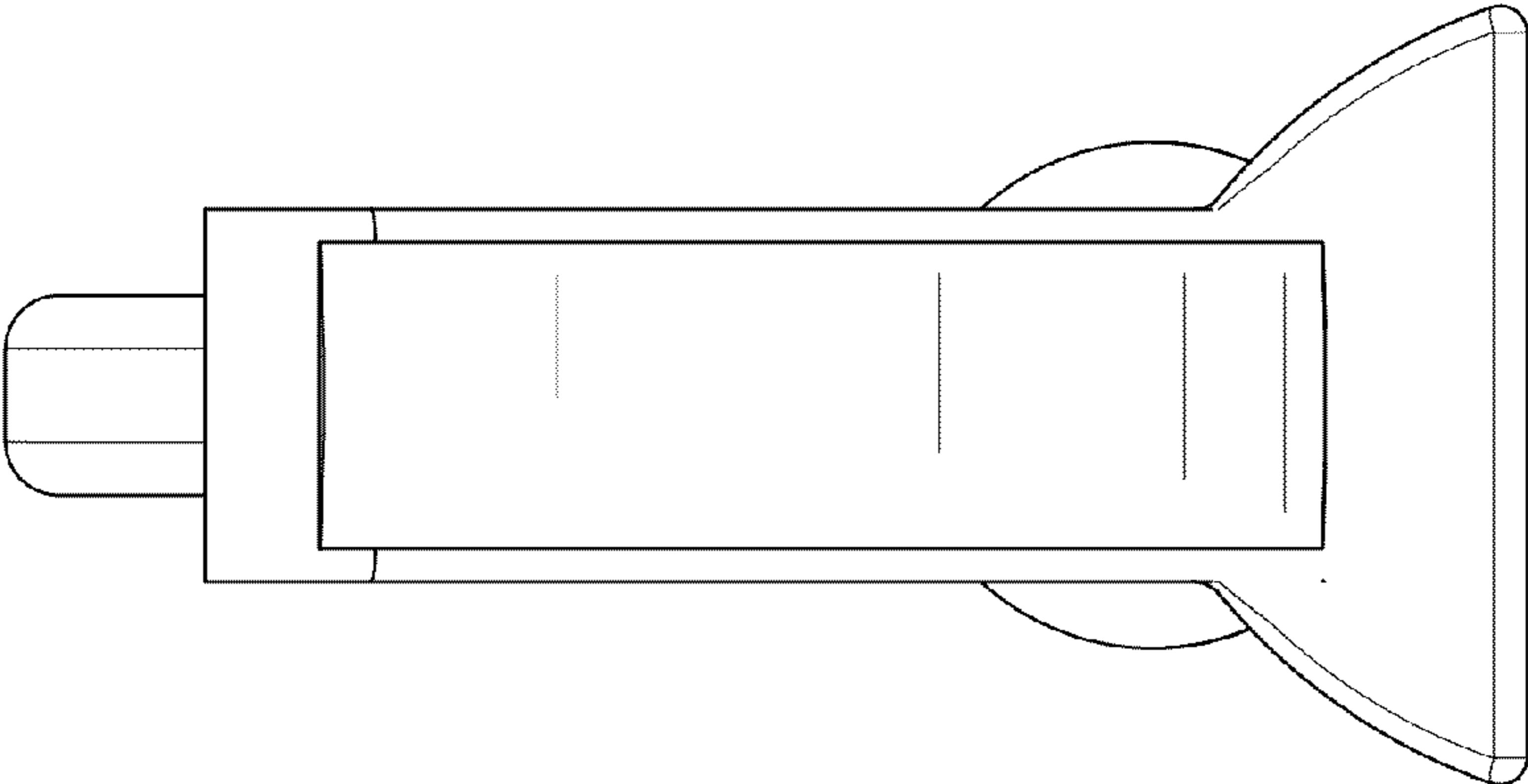


FIG. 7