



US00D720972S

(12) **United States Design Patent**  
**Castrigno**

(10) **Patent No.:** **US D720,972 S**  
(45) **Date of Patent:** **\*\* Jan. 13, 2015**

- (54) **WAND FOR FUSING PIPE**
- (71) Applicant: **Watts Water Technologies, Inc.**, North Andover, MA (US)
- (72) Inventor: **Steven Castrigno**, Manchester, NH (US)
- (73) Assignee: **Watts Water Technologies, Inc.**, North Andover, MA (US)
- (\*\*) Term: **14 Years**
- (21) Appl. No.: **29/453,628**
- (22) Filed: **May 1, 2013**
- (51) **LOC (10) Cl.** ..... **08-05**
- (52) **U.S. Cl.**  
USPC ..... **D8/14.1**
- (58) **Field of Classification Search**  
CPC ..... B23K 9/0286; B23K 2201/06; B23K 37/0533; B23K 9/0282; B29C 65/00; B29C 66/1122; B29C 65/02  
USPC ..... D8/14, 14.1, 68, 72; 29/271, 272; 219/60 A, 61, 124.34; 81/129; 43/4; 294/116  
See application file for complete search history.

- D640,398 S \* 6/2011 Molina et al. .... D26/38
- 7,984,738 B2 7/2011 LaMarca et al.
- D699,771 S \* 2/2014 Barrett et al. .... D15/144

(Continued)

**FOREIGN PATENT DOCUMENTS**

CA 1260663 A1 9/1989

**OTHER PUBLICATIONS**

D.P. LaMarca et al., "Advancements in Plastic Pipe System Technology", 2010 IAPMO / WPC Emerging Technology Symposium—May 11-12, 2010.

*Primary Examiner* — Eric Goodman

*Assistant Examiner* — Jennifer Watkins

(74) *Attorney, Agent, or Firm* — Edwards Wildman Palmer LLP; George N. Chaclas

(57) **CLAIM**

The ornamental design for a wand for fusing pipe, as shown and described.

**DESCRIPTION**

FIG. 1 is a perspective view of the wand for fusing pipe according to the present disclosure.

FIG. 2 is a front view of the wand for fusing pipe according to the present disclosure.

FIG. 3 is a rear view of the wand for fusing pipe according to the present disclosure.

FIG. 4 is a top view of the wand for fusing pipe according to the present disclosure.

FIG. 5 is a bottom view of the wand for fusing pipe according to the present disclosure.

FIG. 6 is a side view of the wand for fusing pipe according to the present disclosure; and,

FIG. 7 is a side view of the wand for fusing pipe according to the present disclosure.

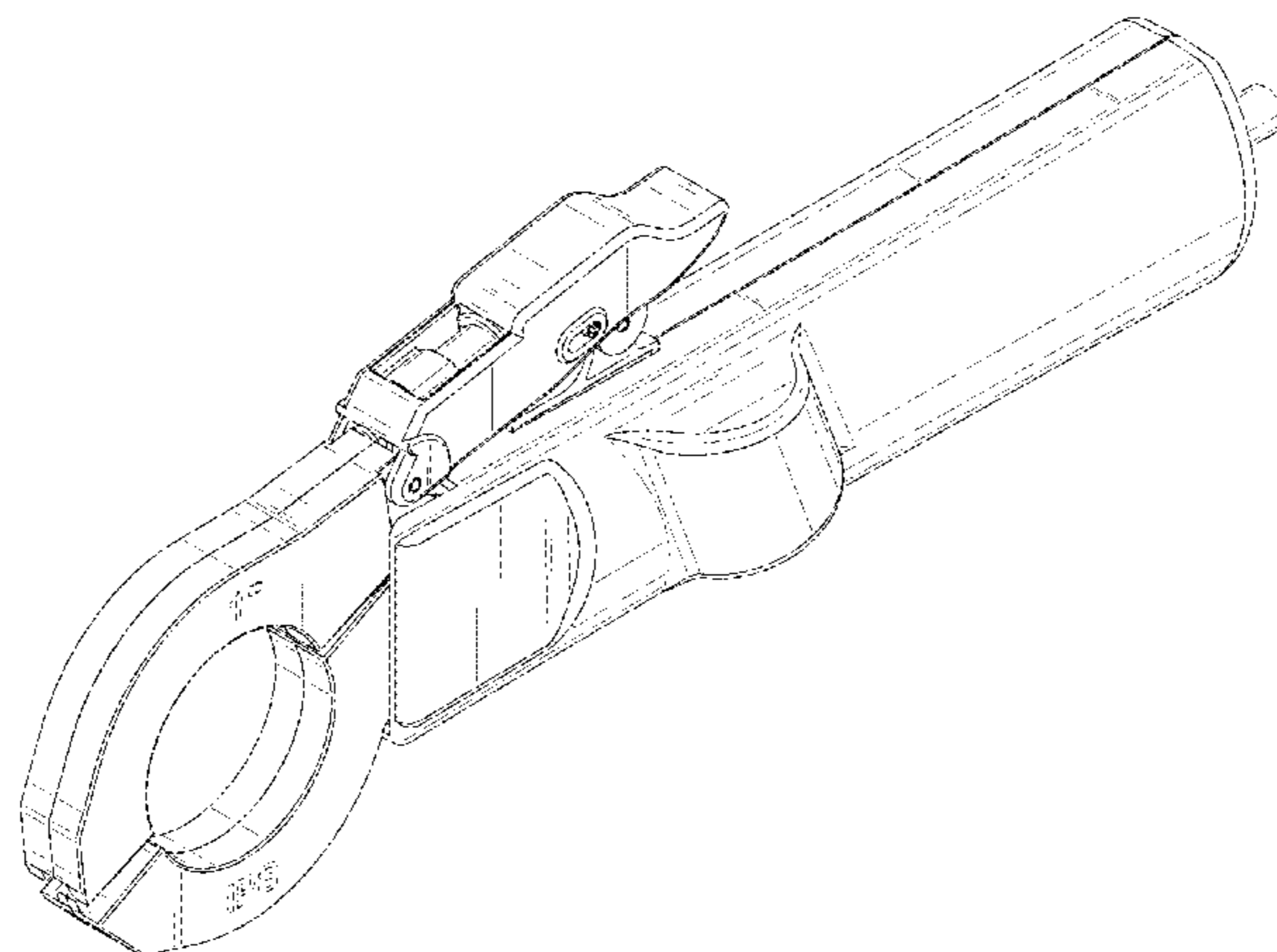
The broken lines in the drawings are for the purpose of illustrating portions of a wand for fusing pipe that form no part of the claimed design.

**1 Claim, 6 Drawing Sheets**

(56) **References Cited**

**U.S. PATENT DOCUMENTS**

- 2,817,556 A \* 12/1957 White ..... 294/116
- 4,161,640 A \* 7/1979 Bromwich et al. .... 219/60 A
- 4,841,115 A \* 6/1989 Severin et al. .... 219/60 A
- 4,922,073 A \* 5/1990 Weir ..... 219/60 A
- 5,679,271 A \* 10/1997 Guerrina ..... 219/60 A
- D386,661 S \* 11/1997 Hirabayashi et al. .... D8/68
- 5,824,983 A \* 10/1998 Huddleston, Jr. .... 219/61
- 5,837,966 A \* 11/1998 Timmons, Jr. .... 219/124.34
- 5,841,089 A \* 11/1998 Martinenas ..... 219/60 A
- 5,844,190 A \* 12/1998 Benway et al. .... 219/60 A
- 6,924,452 B2 \* 8/2005 Kimura ..... 219/61
- D514,915 S \* 2/2006 Wang ..... D8/72
- 7,026,568 B2 \* 4/2006 Guerrina ..... 219/60 A



# US D720,972 S

Page 2

---

(56)

## References Cited

U.S. PATENT DOCUMENTS

2006/0197338 A1 9/2006 Ziu et al.  
2009/0314770 A1 12/2009 LaMarca et al.  
2010/0072742 A1 3/2010 LaMarca et al.

2004/0238496 A1\* 12/2004 Kimura ..... 219/60 A \* cited by examiner

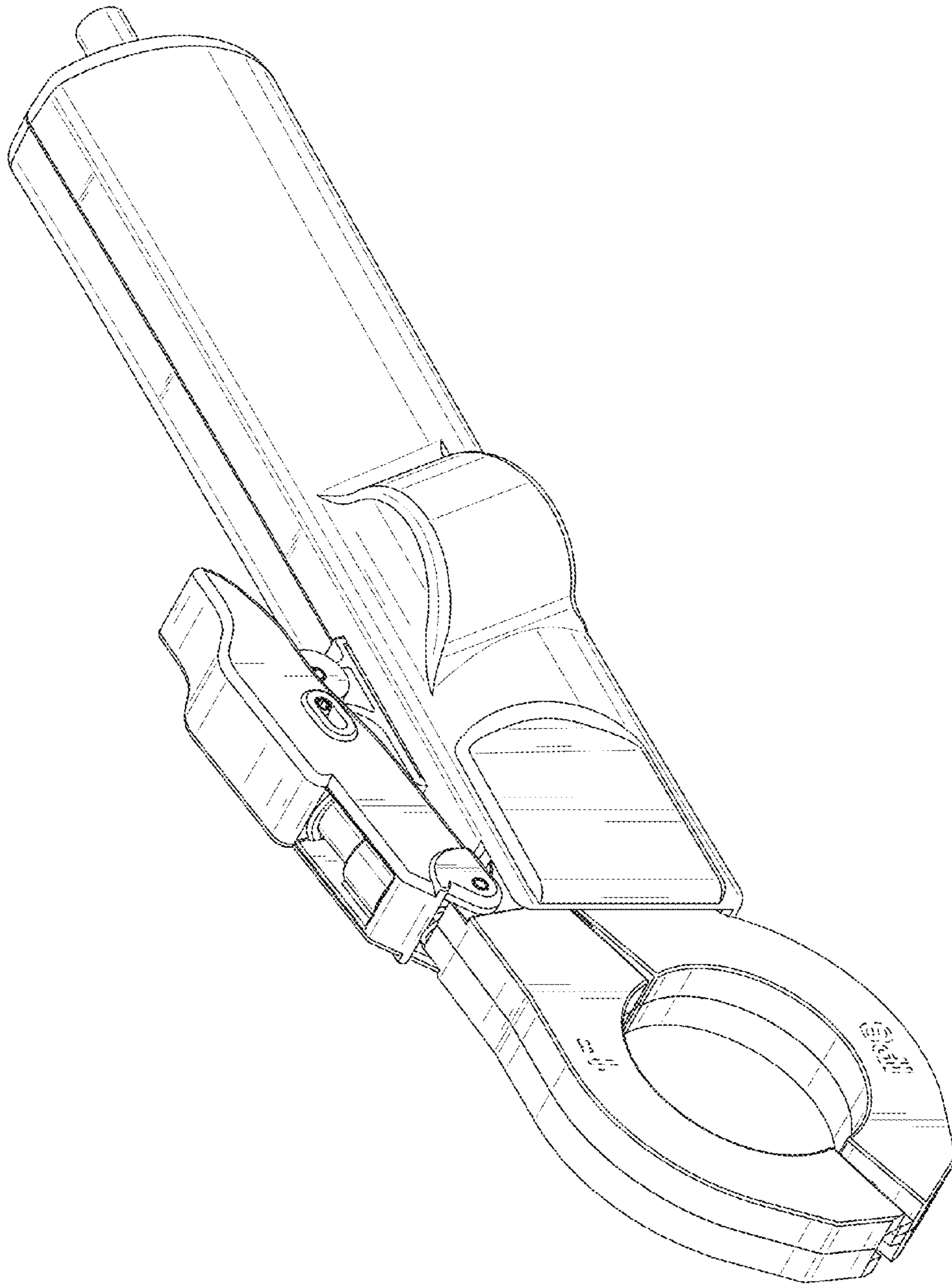


FIG. 1

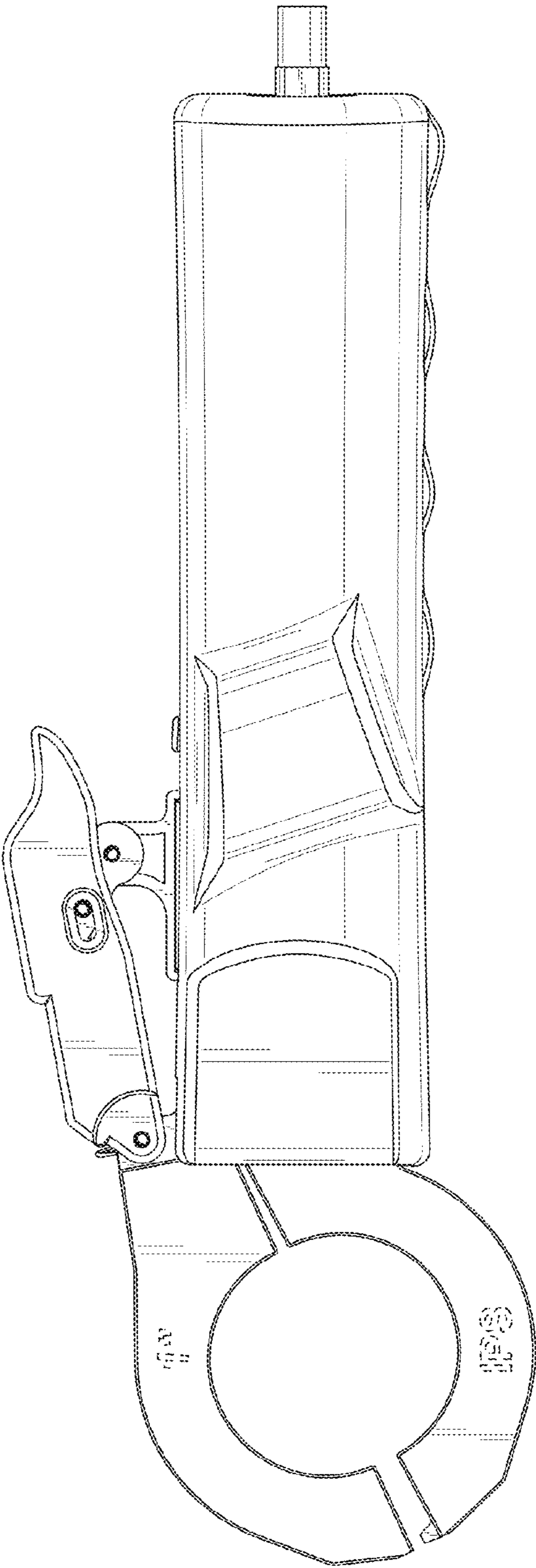


FIG. 2

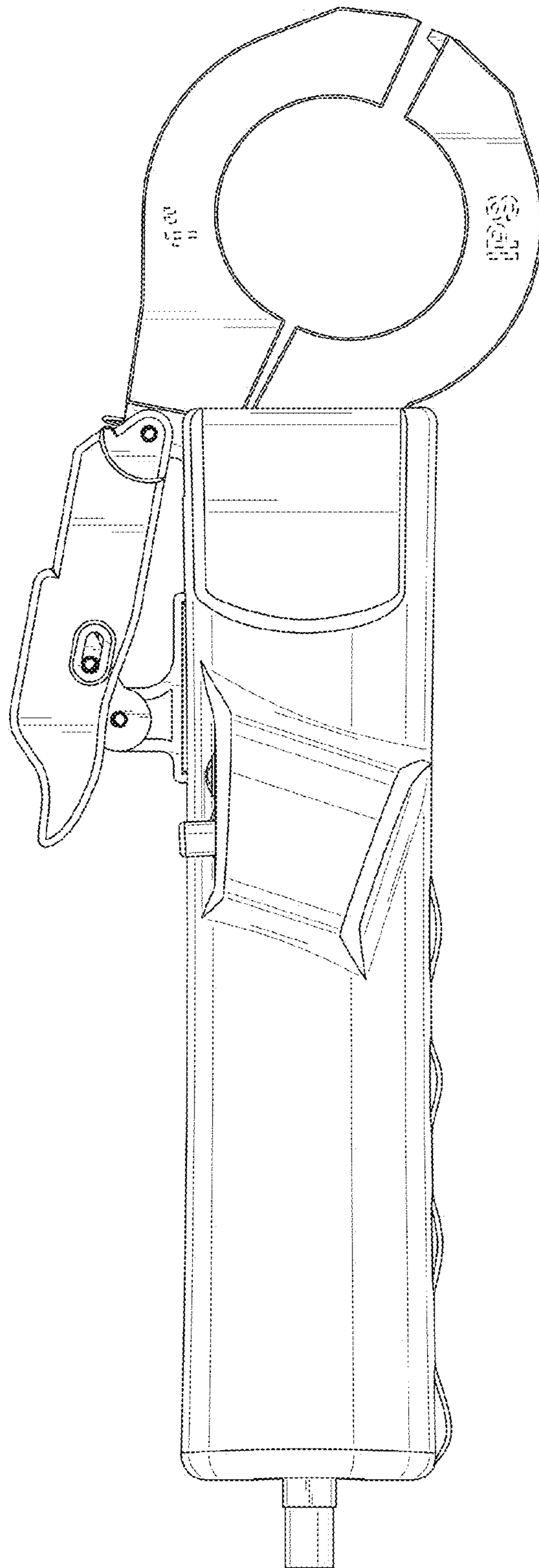


FIG. 3

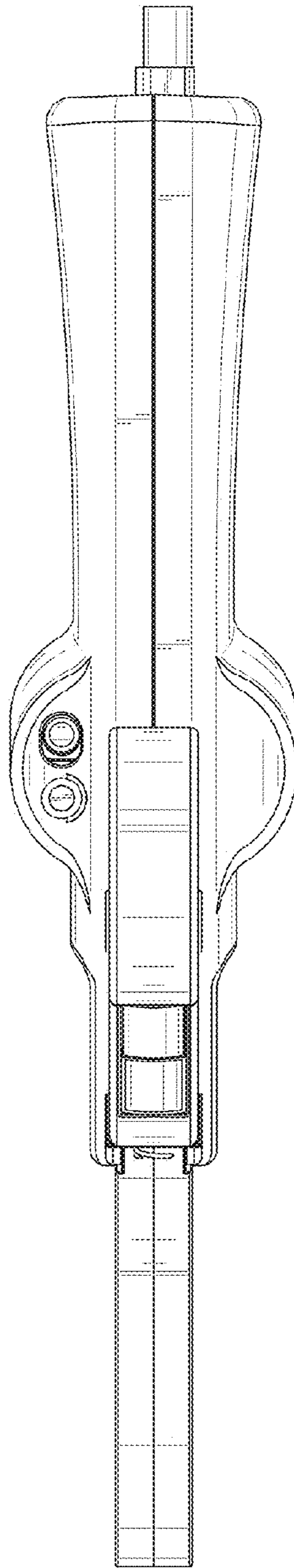


FIG. 4

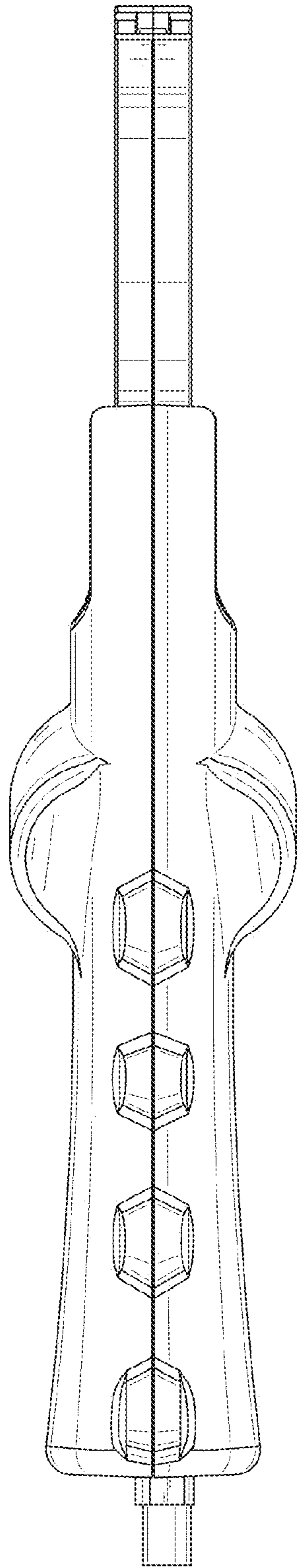


FIG. 5

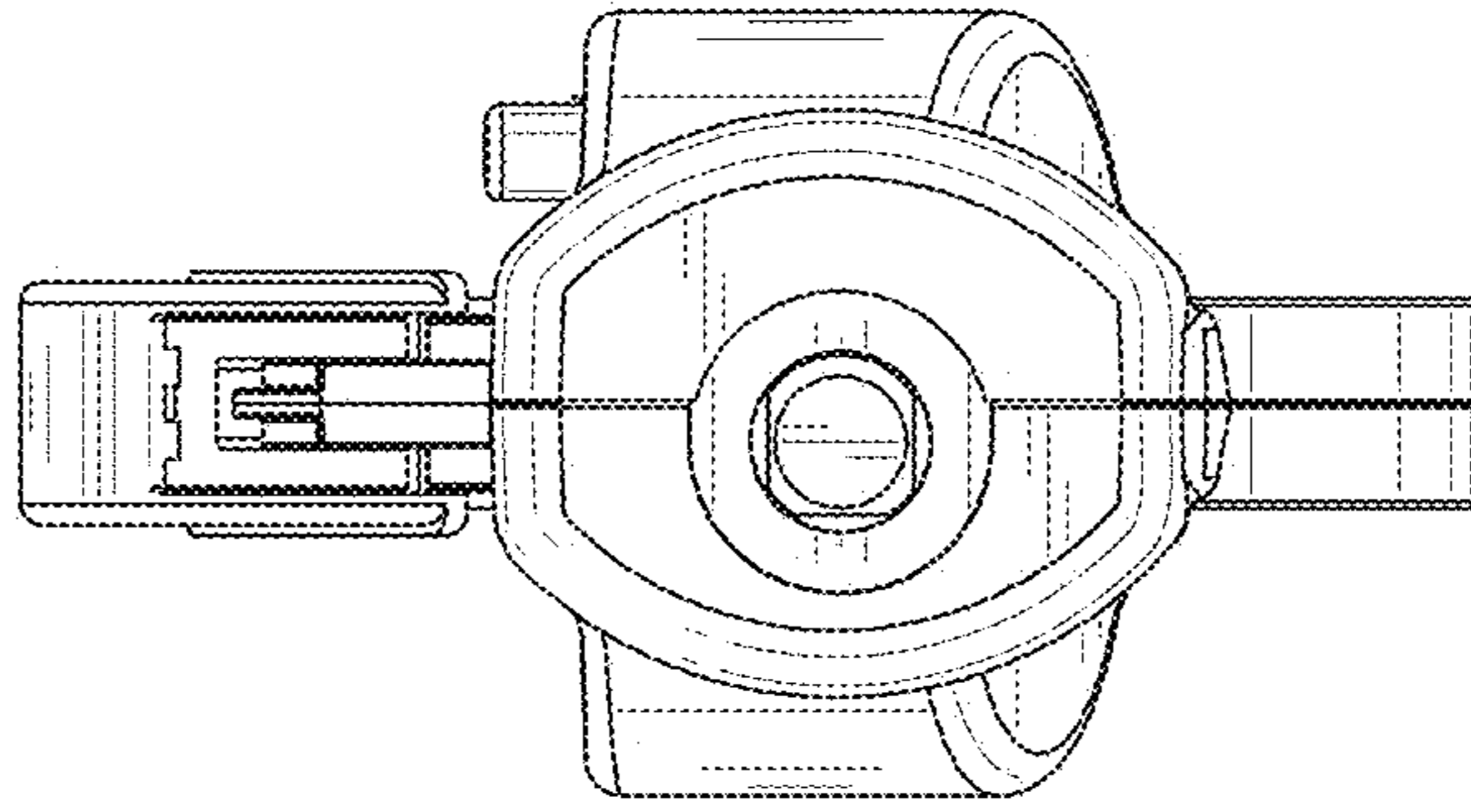


FIG. 7

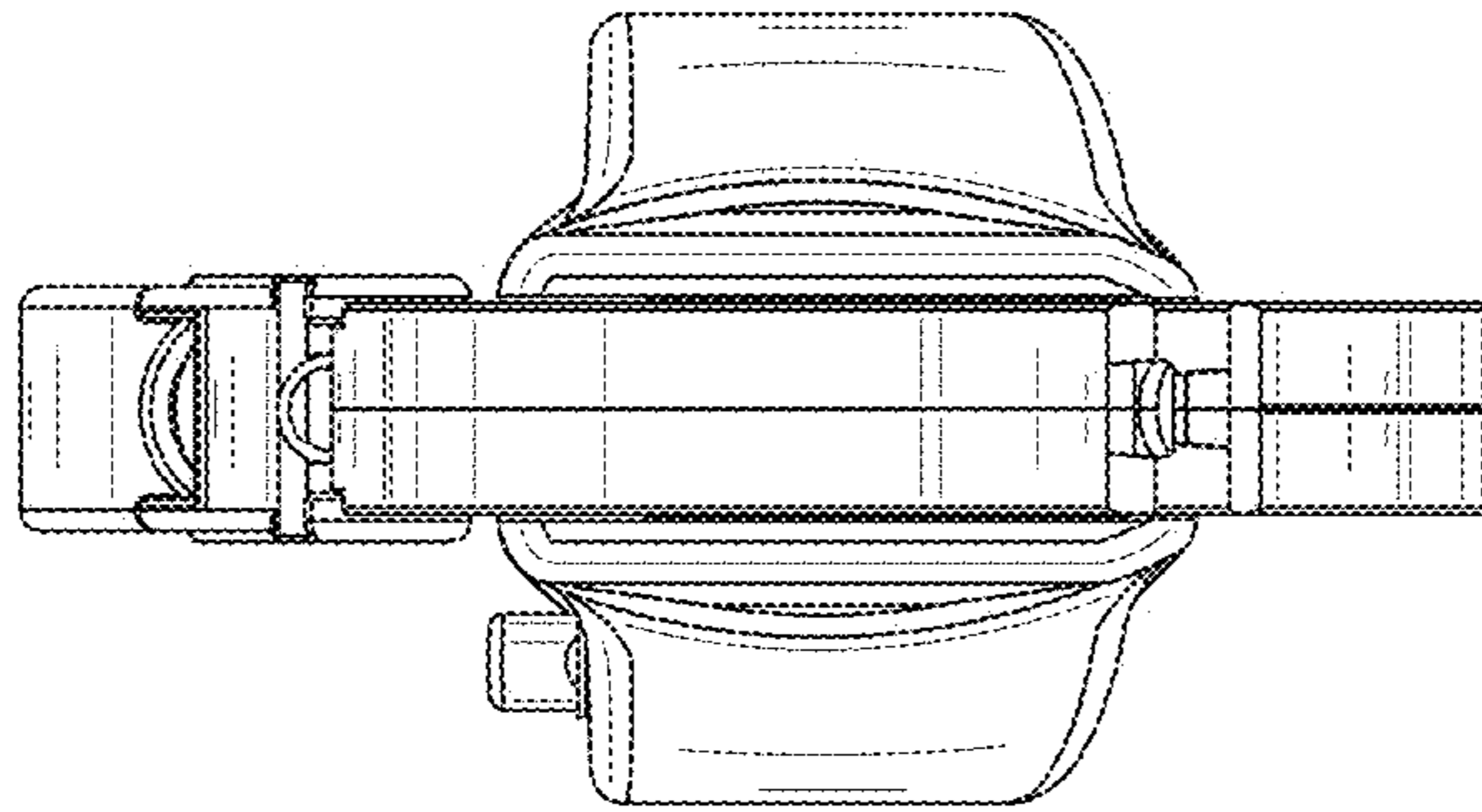


FIG. 6