



US00D720971S

(12) **United States Design Patent**
Hua

(10) **Patent No.:** **US D720,971 S**
(45) **Date of Patent:** **** Jan. 13, 2015**

(54) **FOLDABLE SNOW PUSHER WITH WHEEL**

(71) Applicant: **Cixi Huazhijie Plastic Product Co., Ltd.**, Cixi, Zhejiang Province (CN)

(72) Inventor: **Zemin Hua**, Cixi (CN)

(73) Assignee: **Cixi Huazhijie Plastic Product Co., Ltd.**, Cixi (CN)

(**) Term: **14 Years**

(21) Appl. No.: **29/458,613**

(22) Filed: **Jun. 21, 2013**

(51) **LOC (10) Cl.** **08-01**

(52) **U.S. Cl.**
USPC **D8/10**

(58) **Field of Classification Search**
CPC A01B 11/00; A01B 1/02; A01B 1/04
USPC D8/1, 10, 107; 294/49, 53.5, 54.5, 51,
294/58, 56, 57, 55.5; 56/400.1
See application file for complete search history.

(56) **References Cited**

U.S. PATENT DOCUMENTS

D197,375 S * 1/1964 Thomas D8/10
D208,997 S * 10/1967 Anderson D8/10
D331,652 S * 12/1992 Wu D34/27

D481,917 S * 11/2003 McLean D8/10
D548,550 S * 8/2007 Yeh D8/10
D557,101 S * 12/2007 Grishaber D8/107
D592,920 S * 5/2009 Boies et al. D8/10
D664,020 S * 7/2012 Kopp et al. D8/107
D673,105 S * 12/2012 Spain D12/215

* cited by examiner

Primary Examiner — Sheryl Lane

(74) *Attorney, Agent, or Firm* — Brundidge & Stanger, P.C.

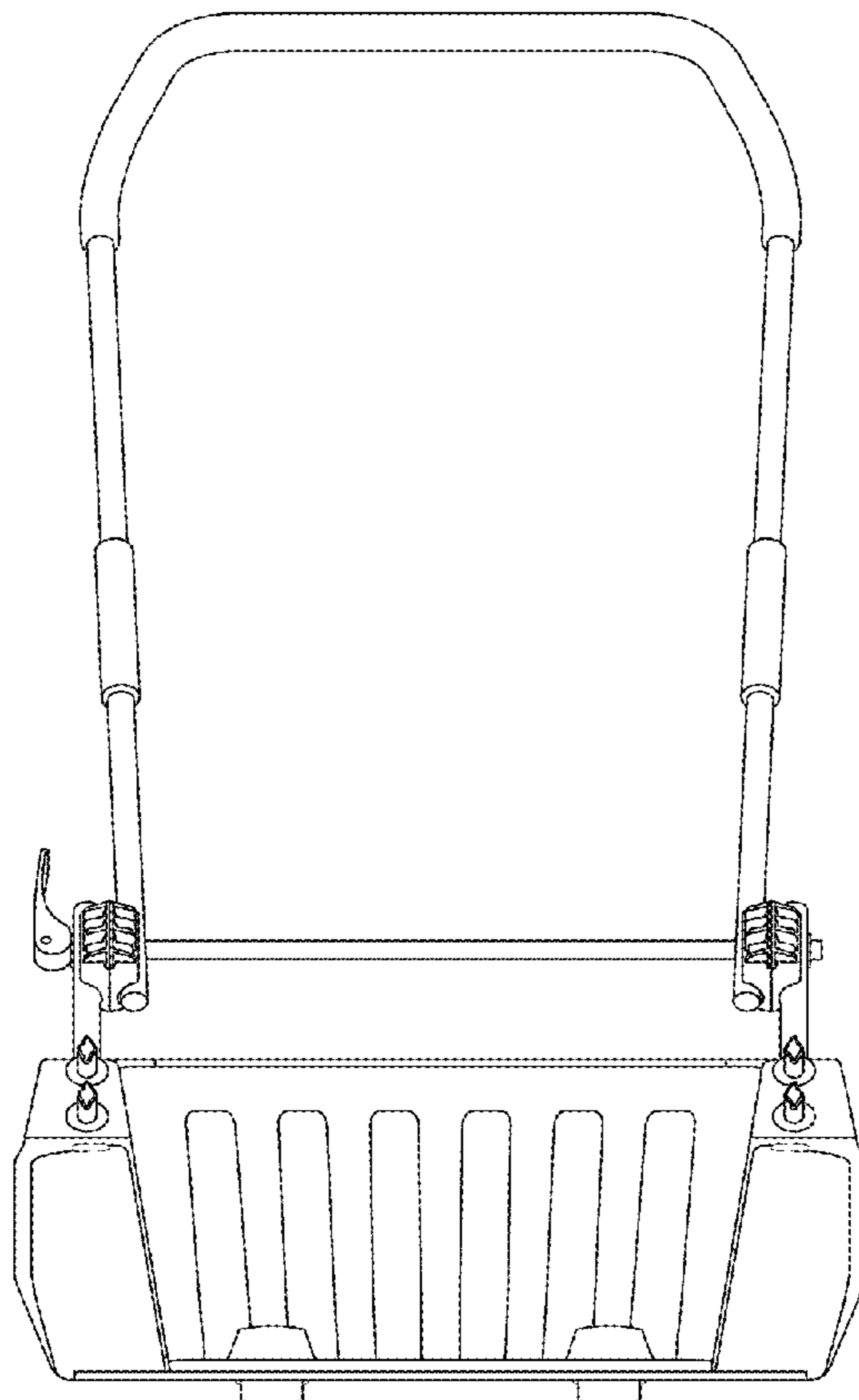
(57) **CLAIM**

The ornamental design for a foldable snow pusher with wheel, as shown and described.

DESCRIPTION

FIG. 1 is the front view of a foldable snow pusher with wheel showing my new design;
FIG. 2 is the rear view thereof;
FIG. 3 is the top view thereof;
FIG. 4 is the left view thereof;
FIG. 5 is the right view thereof; and,
FIG. 6 is the perspective view thereof.
The broken lines in FIGS. 1-6 are included for the purpose of illustrating portions of the foldable snow pusher and form no part of the claimed design.

1 Claim, 6 Drawing Sheets



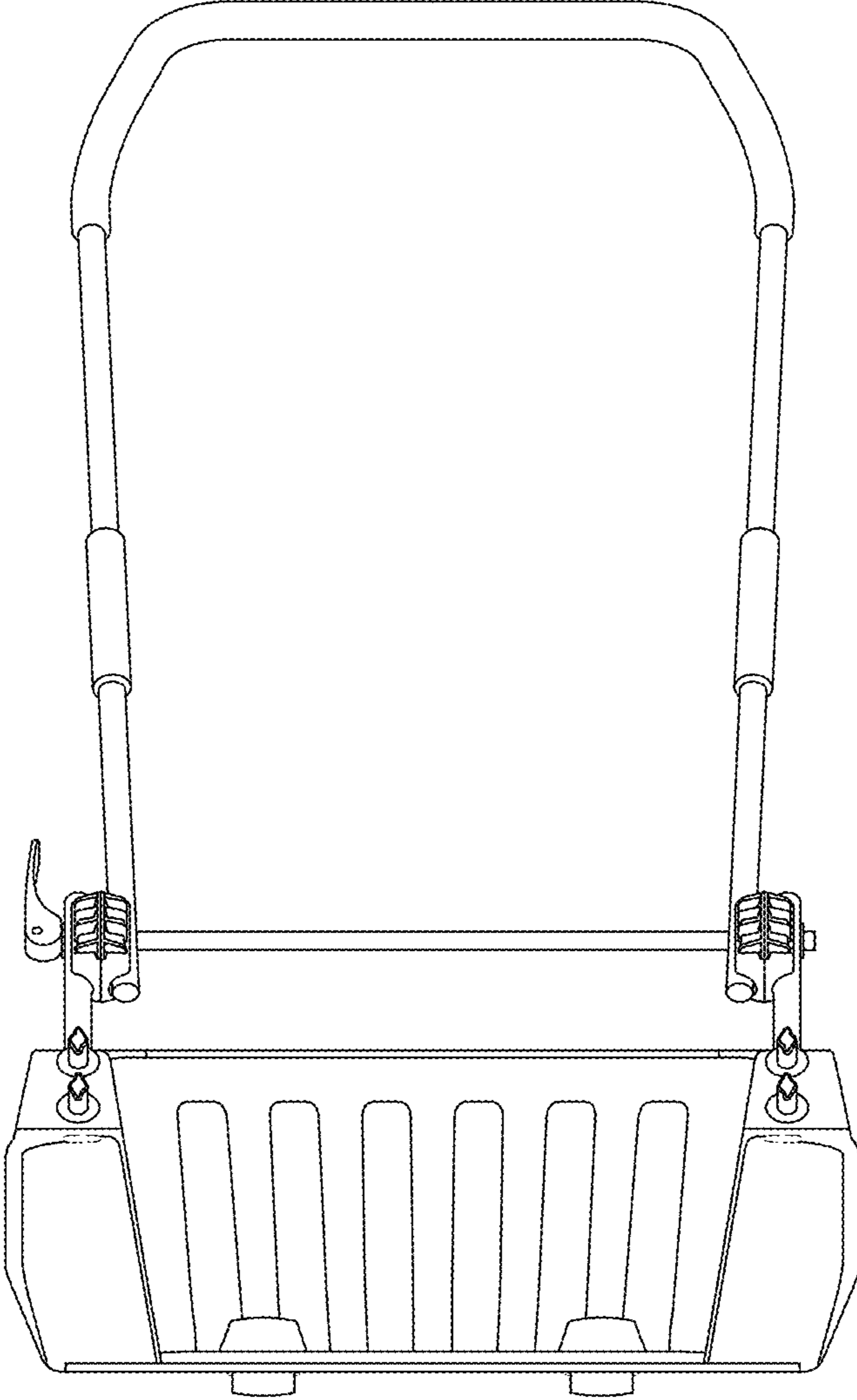


FIG. 1

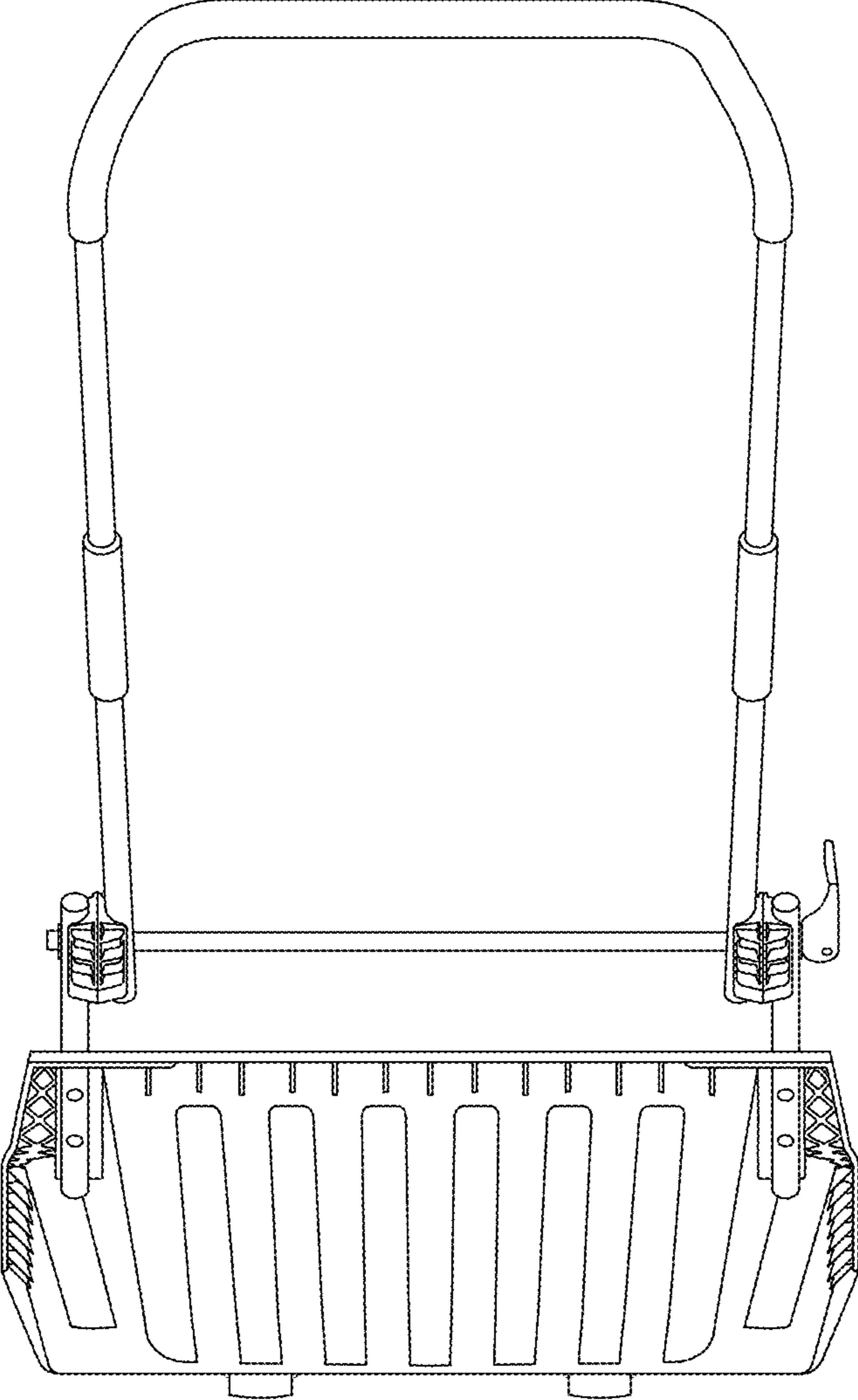


FIG.2

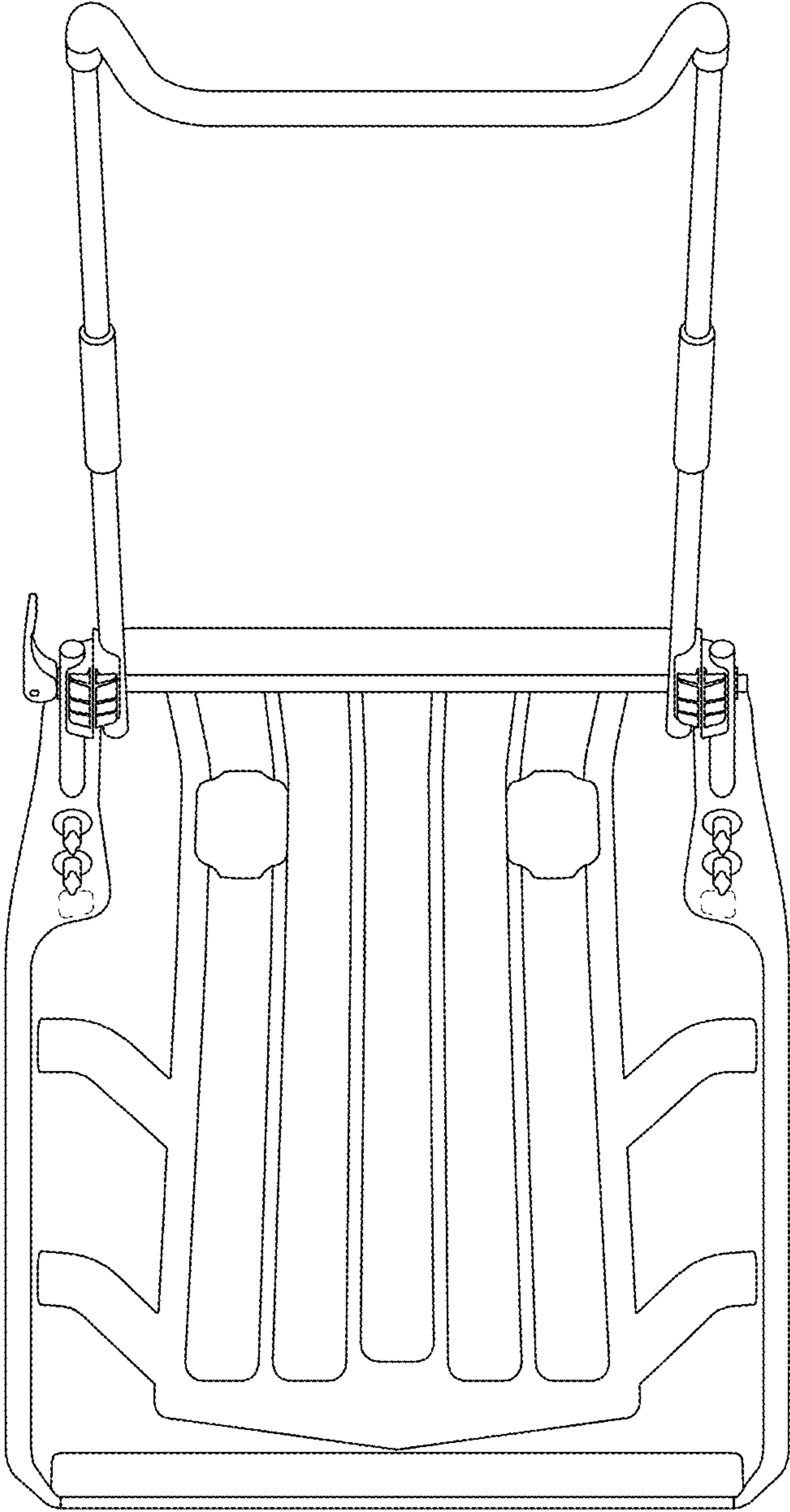


FIG. 3

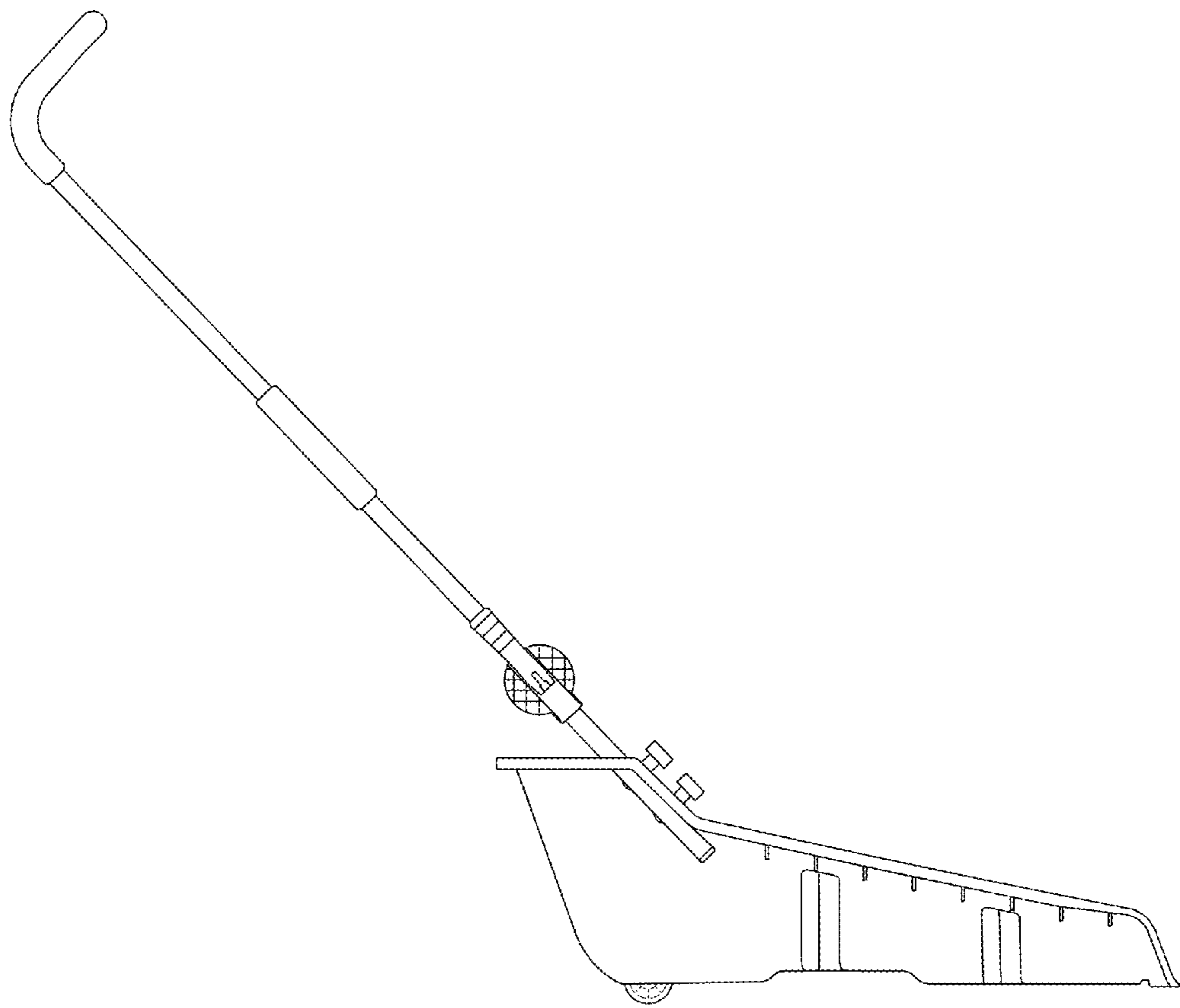


FIG.4

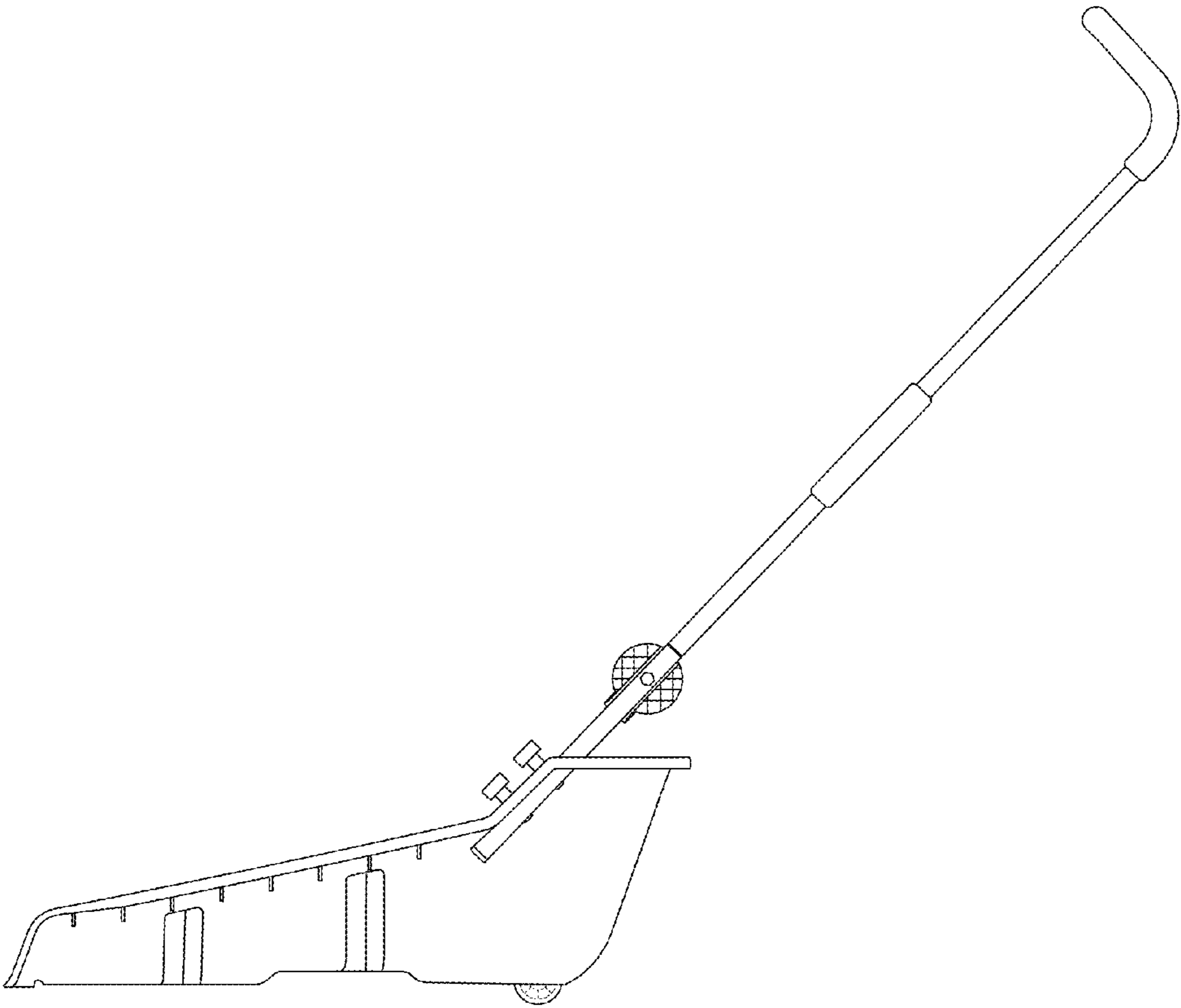


FIG. 5

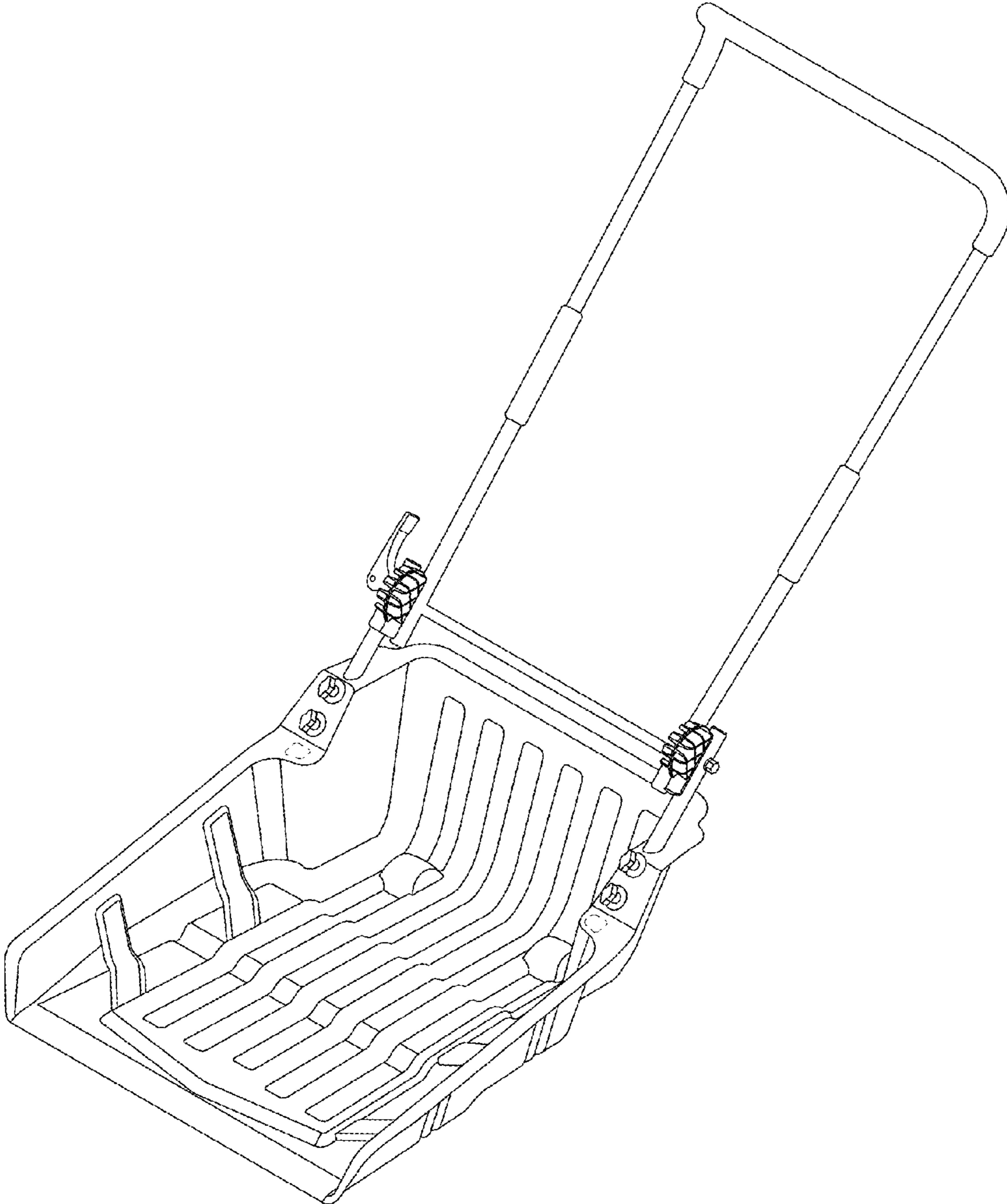


FIG.6