



US00D720970S

(12) **United States Design Patent**
Hermann

(10) **Patent No.:** **US D720,970 S**

(45) **Date of Patent:** **** Jan. 13, 2015**

(54) **TRIMMER HEAD**

(71) Applicant: **EUROLUX Australia Pty Ltd**, Mona Vale (AU)

(72) Inventor: **Martin Hermann**, Mona Vale (AU)

(73) Assignee: **EUROLUX Australia Pty Ltd**, Mona Vale (AU)

(**) Term: **14 Years**

(21) Appl. No.: **29/473,925**

(22) Filed: **Nov. 26, 2013**

(51) **LOC (10) Cl.** **08-01**

(52) **U.S. Cl.**
USPC **D8/8**

(58) **Field of Classification Search**
CPC ... A01D 34/416; A01D 34/84; B65H 270/354
USPC D8/8, 9; 30/276, 347; 56/12.7
See application file for complete search history.

(56) **References Cited**

U.S. PATENT DOCUMENTS

D346,727 S *	5/1994	Eriksson	D8/8
D362,600 S *	9/1995	Kiyooka et al.	D8/8
D460,904 S *	7/2002	Riley et al.	D8/8
D465,975 S *	11/2002	Iacona	D8/8
D482,581 S *	11/2003	Nystrom	D8/8
D482,941 S *	12/2003	Nystrom	D8/8
D502,368 S *	3/2005	Nystrom et al.	D8/8
6,928,741 B2 *	8/2005	Proulx et al.	30/276

D597,804 S *	8/2009	Alliss	D8/8
D598,254 S *	8/2009	Alliss	D8/8
D630,068 S *	1/2011	Proulx	D8/8
D638,678 S *	5/2011	Proulx	D8/8
D653,920 S *	2/2012	Cigarini	D8/8
8,689,451 B2 *	4/2014	Cigarini	30/276
8,707,567 B2 *	4/2014	Proulx	30/276
8,745,879 B2 *	6/2014	Alliss	30/276

* cited by examiner

Primary Examiner — Sheryl Lane

(74) *Attorney, Agent, or Firm* — Inventa Capital PLC

(57) **CLAIM**

I claim the ornamental design for a trimmer head, as shown and described.

DESCRIPTION

FIG. 1 is a bottom view of a trimmer head of the present invention;

FIG. 2 is a top view of the trimmer head of the present invention;

FIG. 3 is a side view of the trimmer head of the present invention;

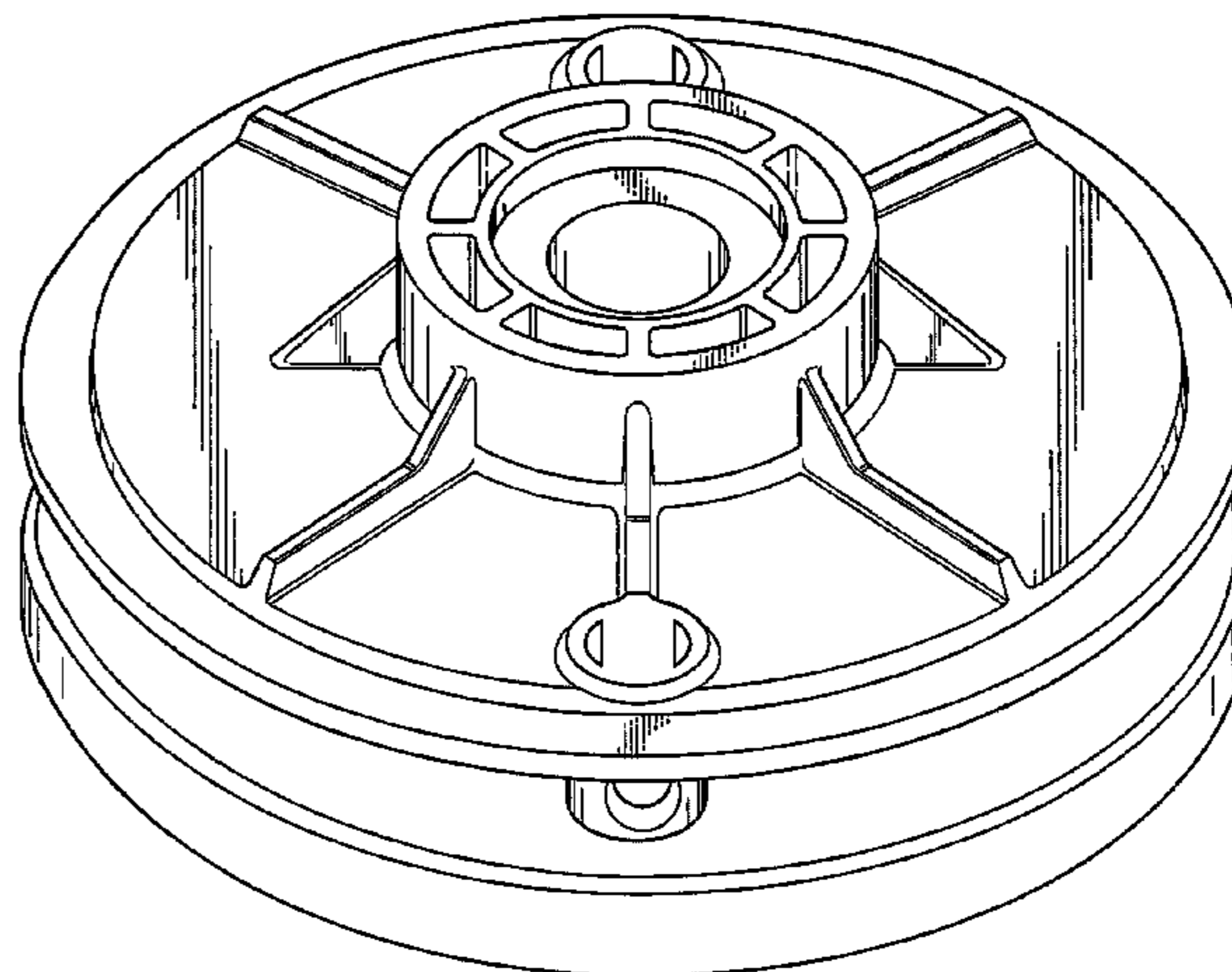
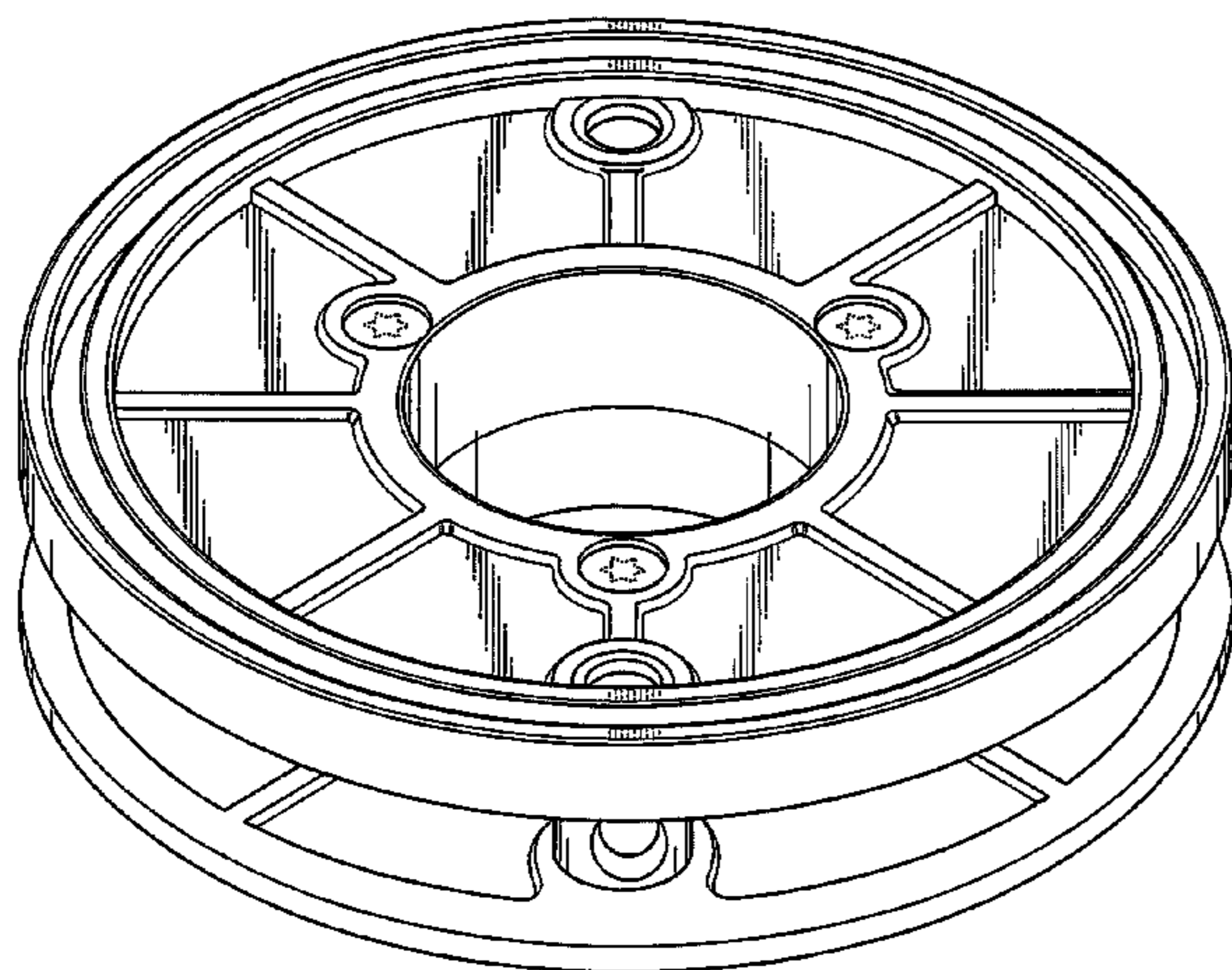
FIG. 4 is an alternative side view of the trimmer head of the present invention;

FIG. 5 is a bottom isometric view of the trimmer head of the present invention; and,

FIG. 6 is a perspective view of the trimmer head of the present invention.

The portions of the article such as a trimmer head, shown in broken lines form no part of the claimed design.

1 Claim, 5 Drawing Sheets



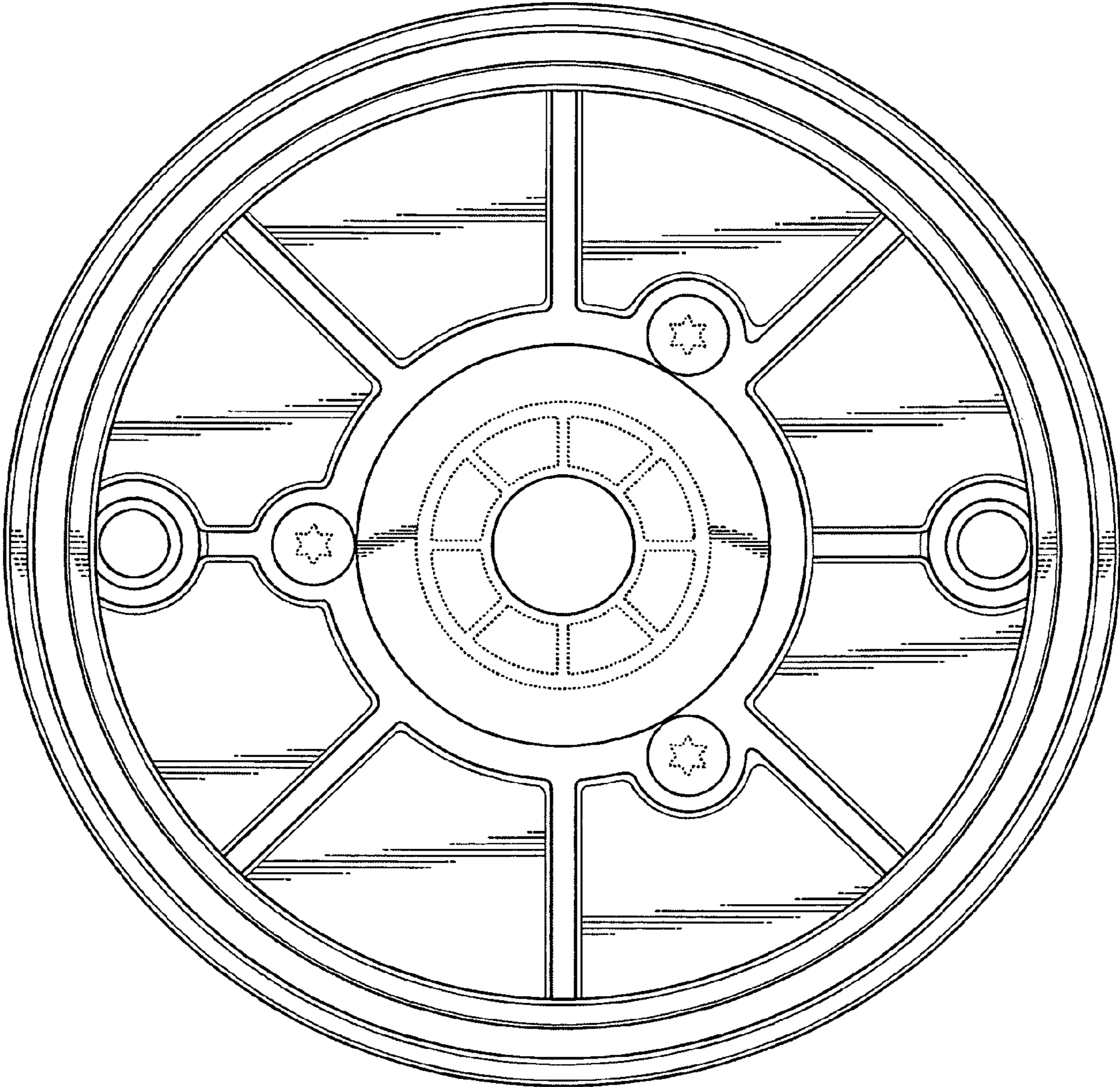


FIG. 1

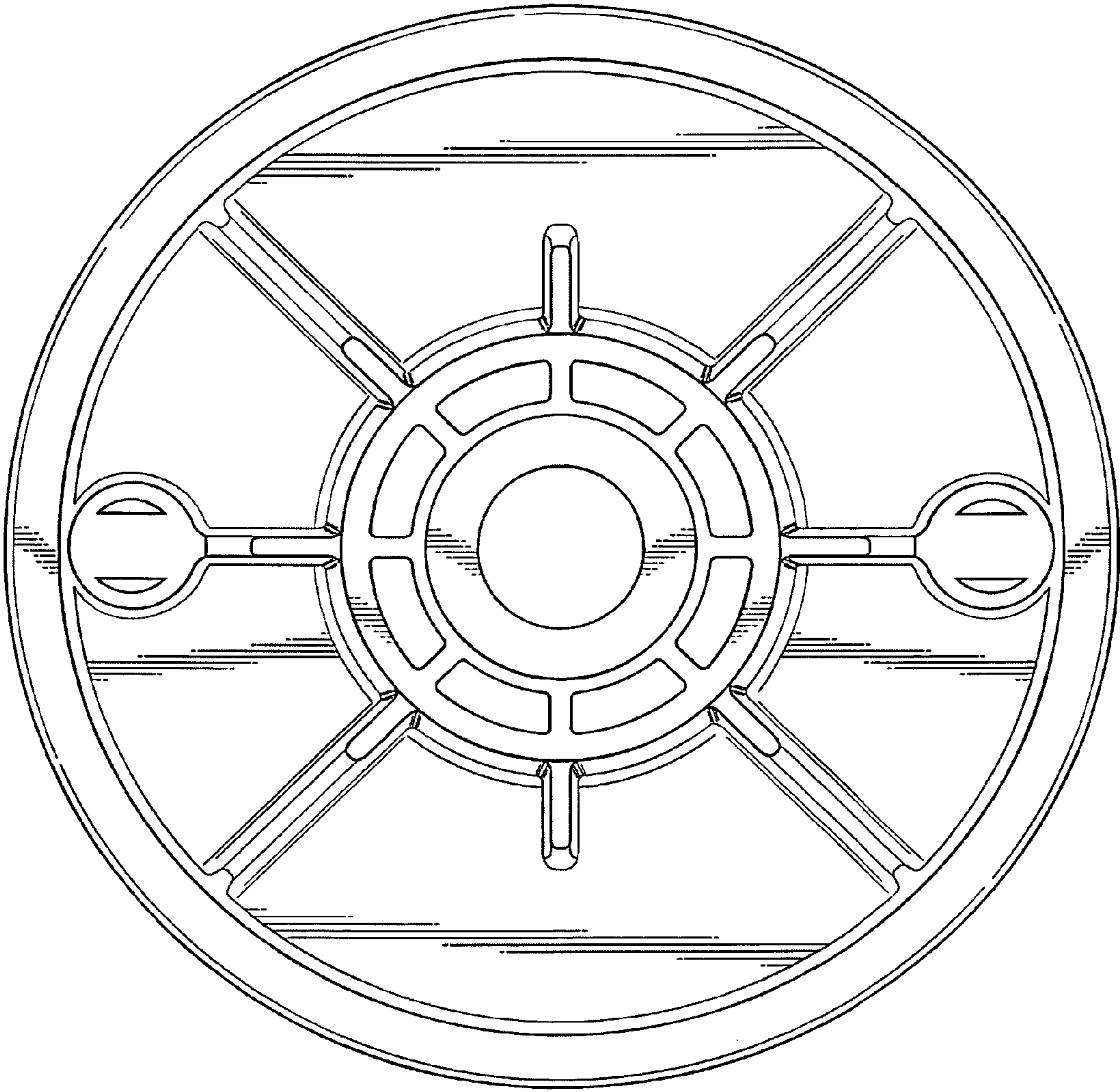


FIG. 2

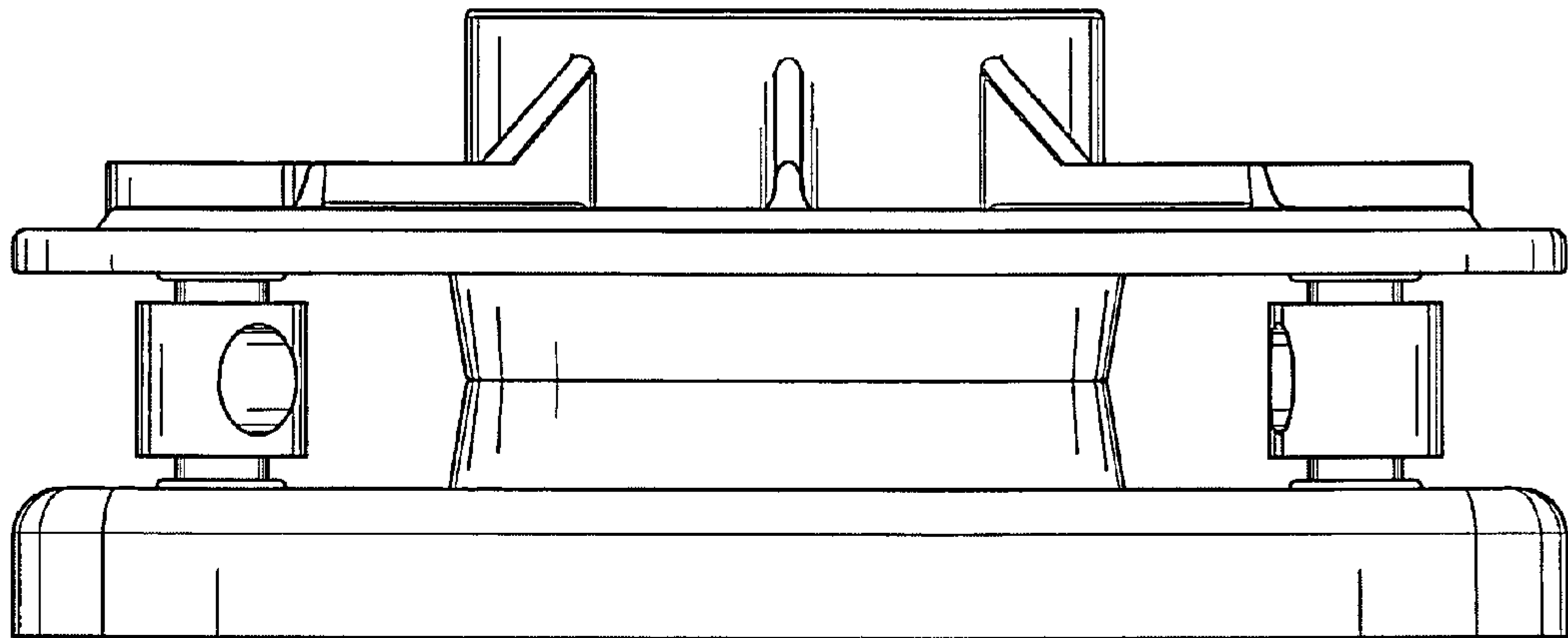


FIG. 3

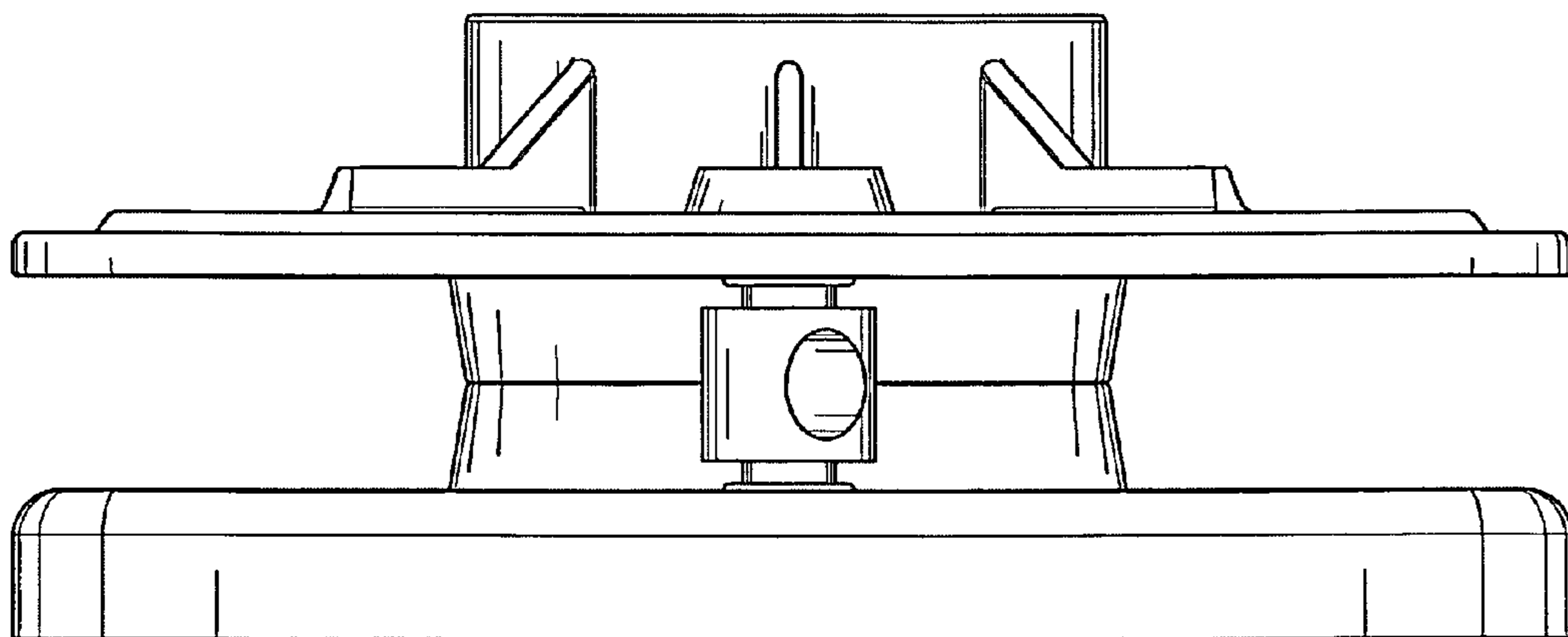


FIG. 4

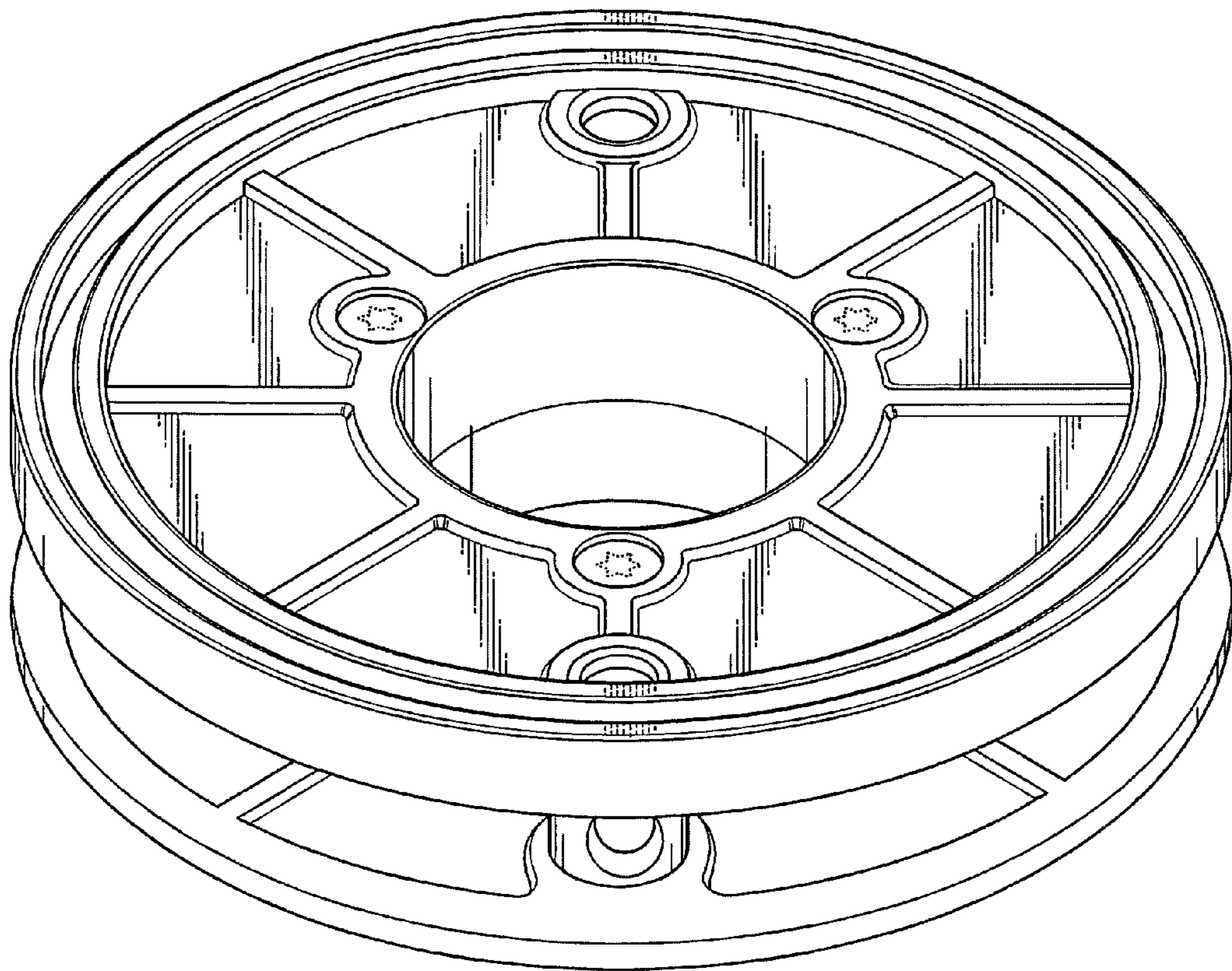


FIG. 5

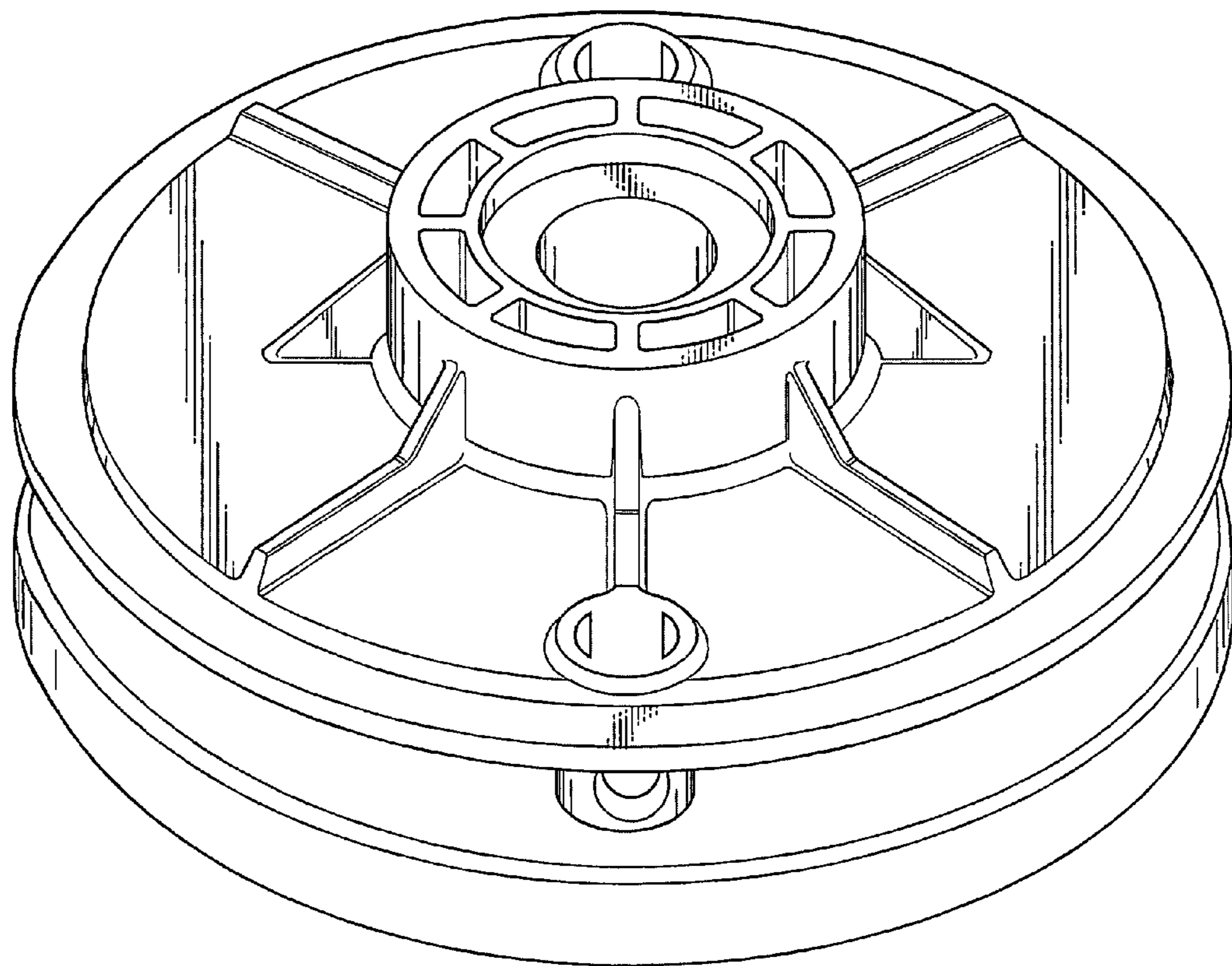


FIG. 6