



US00D720967S

(12) **United States Design Patent**
Melzer et al.

(10) **Patent No.:** **US D720,967 S**
(45) **Date of Patent:** **** Jan. 13, 2015**

(54) **MUDDLER STICK**

(56) **References Cited**

(71) Applicant: **Epoca International, Inc.**, Boca Raton, FL (US)

U.S. PATENT DOCUMENTS

(72) Inventors: **Brian Melzer**, Boca Raton, FL (US);
Matthew Chin, New York, NY (US);
Gareth Brown, Jersey City, NJ (US)

D99,825	S	*	5/1936	Pennington	D7/682
D169,561	S	*	5/1953	Raymond	D7/682
D269,471	S	*	6/1983	Auerbach	D32/35
D349,433	S	*	8/1994	Tran	D7/693
6,223,651	B1	*	5/2001	Campbell	99/494
D625,157	S	*	10/2010	Blier et al.	D7/683
2011/0042497	A1	*	2/2011	Silvers et al.	241/101.8

(73) Assignee: **Epoca International, Inc.**, Boca Raton, FL (US)

* cited by examiner

(**) Term: **14 Years**

Primary Examiner — Terry Wallace

(21) Appl. No.: **29/479,462**

(74) *Attorney, Agent, or Firm* — Akerman LLP

(22) Filed: **Jan. 16, 2014**

(57) **CLAIM**

(51) **LOC (10) Cl.** **07-04**

We claim the ornamental design for a muddler stick, as shown and described.

(52) **U.S. Cl.**

DESCRIPTION

USPC **D7/682**; D7/669

(58) **Field of Classification Search**

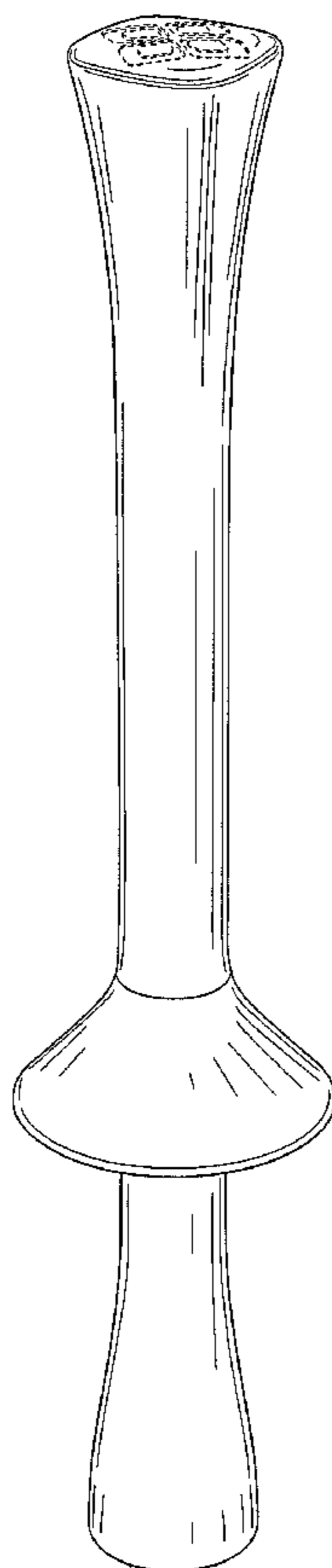
USPC D7/680–696, 376, 379, 399, 368, 669,
D7/393, 395; 452/141, 146, 147, 198;
241/168, 169, 169.1, 169.2, 101.8;
366/129, 343, 332, 333, 315–317, 256

FIG. 1 is a perspective view of the muddler stick, showing our new, original and ornamental design;
FIG. 2 is a side view thereof;
FIG. 3 is a second side view thereof;
FIG. 4 is a top view thereof; and,
FIG. 5 is a bottom view thereof.

The broken lines in the figures are for illustrative purposes only and form no part of the claimed design.

See application file for complete search history.

1 Claim, 3 Drawing Sheets



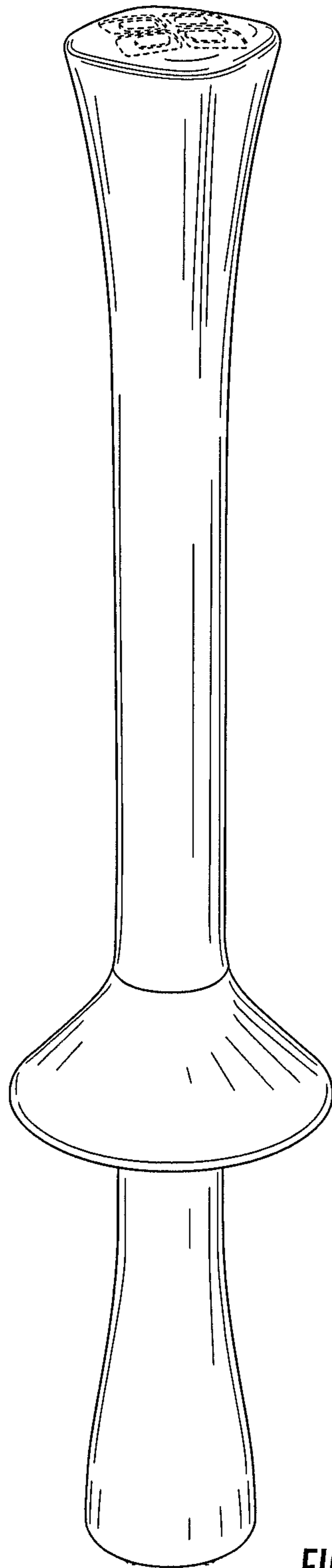


FIG. 1

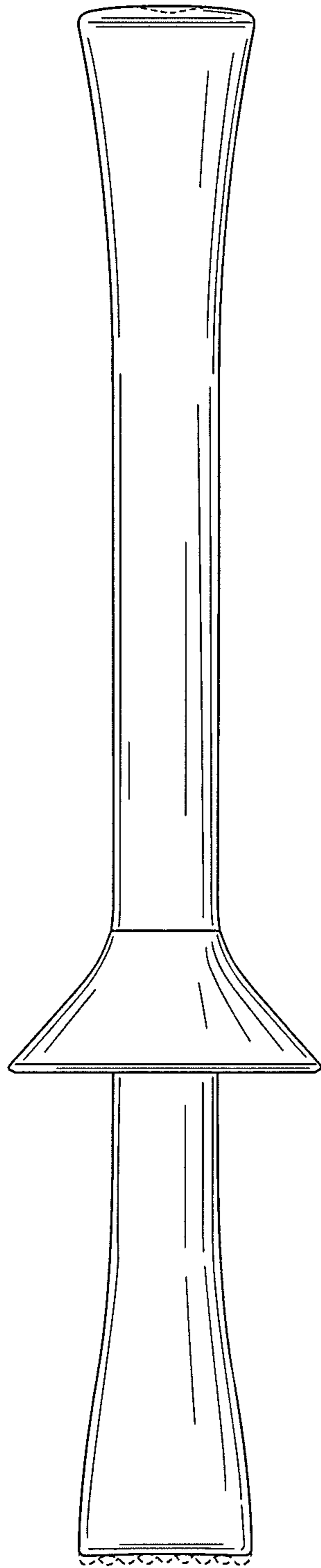


FIG. 2

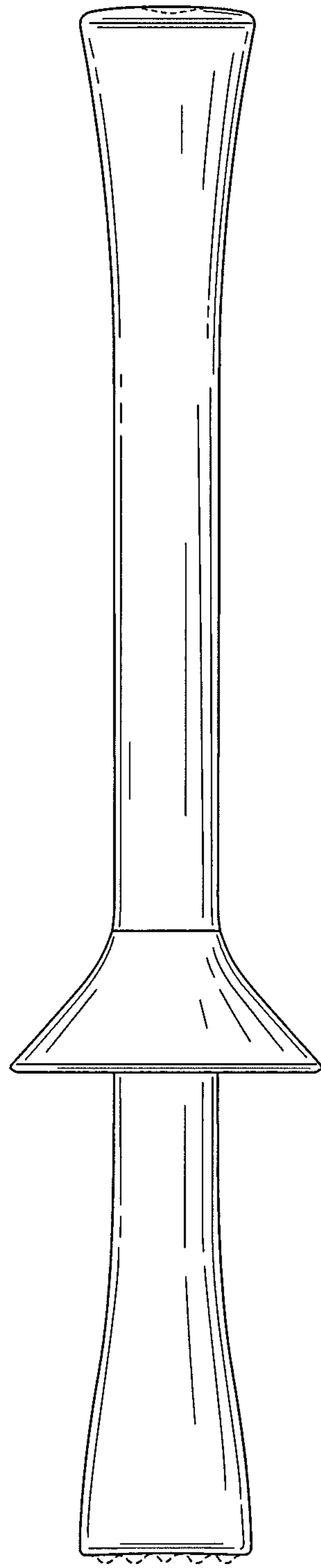


FIG. 3

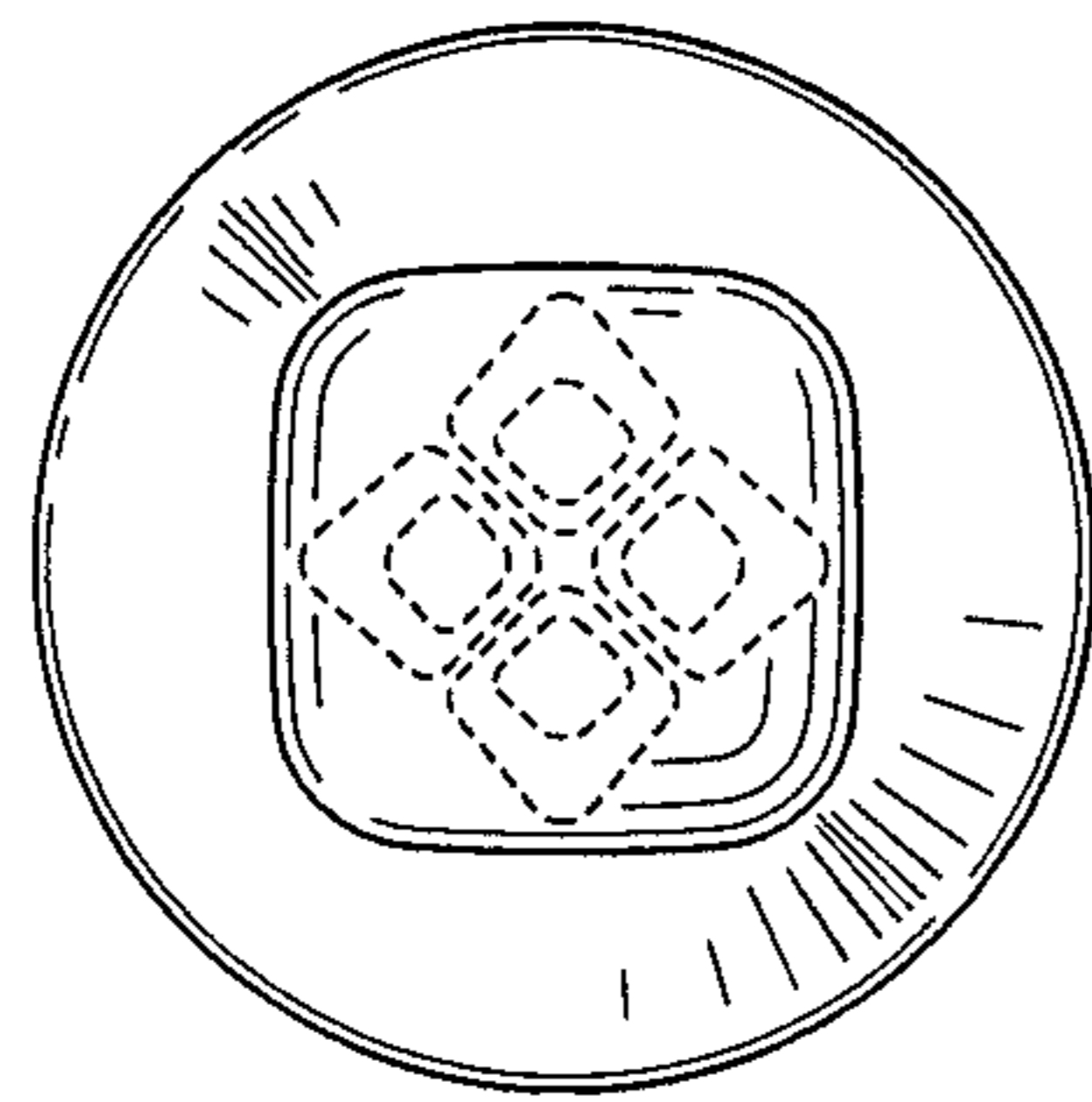


FIG. 4

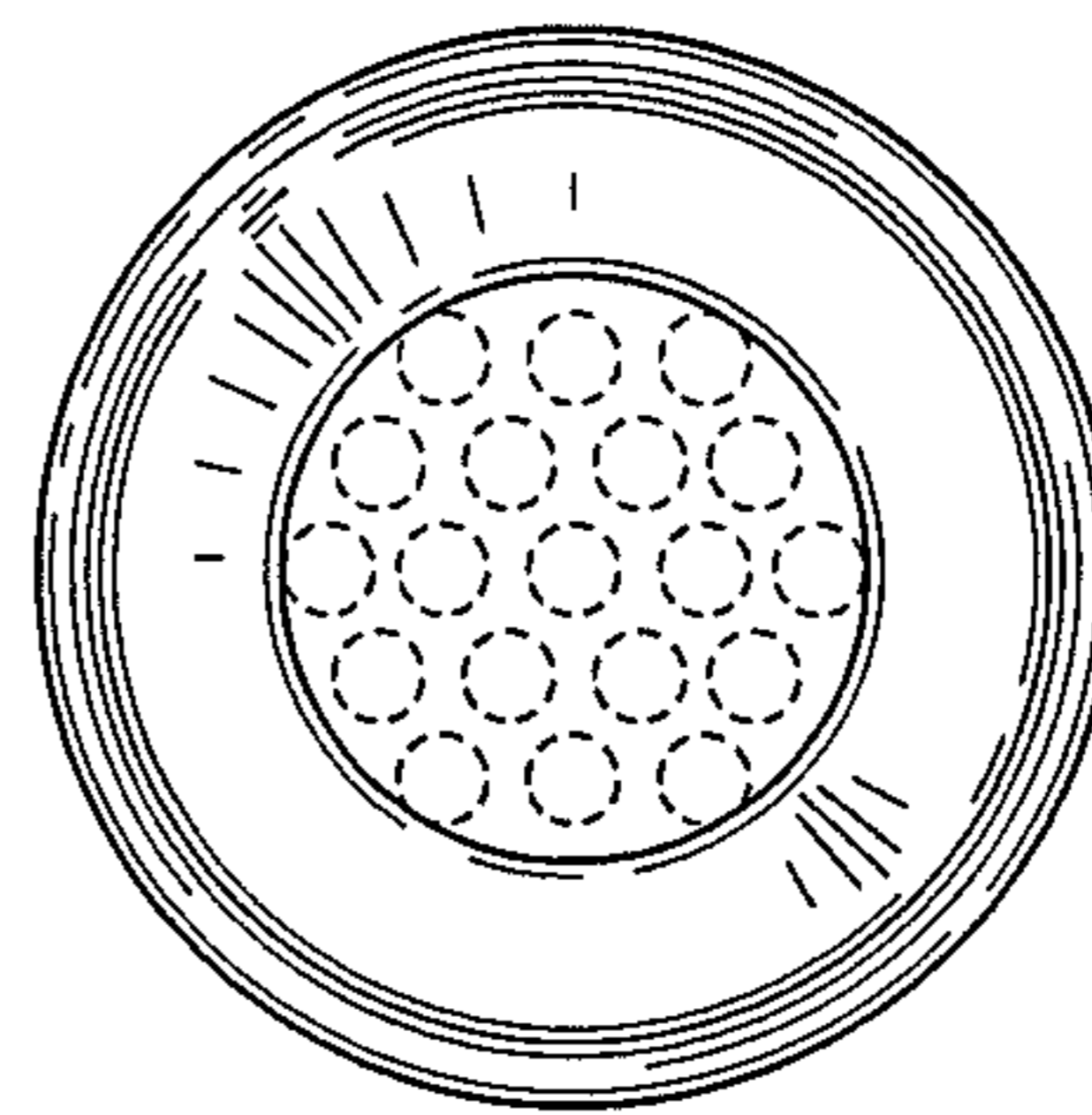


FIG. 5