

US00D720966S

(12) **United States Design Patent**  
**Sullivan, Jr.**

(10) **Patent No.:** **US D720,966 S**  
(45) **Date of Patent:** **\*\* Jan. 13, 2015**

(54) **DEVICE FOR HANDLING BAKEWARE**

(71) Applicant: **Richard J. Sullivan, Jr.**, Sag Harbor,  
NY (US)

(72) Inventor: **Richard J. Sullivan, Jr.**, Sag Harbor,  
NY (US)

(73) Assignee: **The Handlr, LLC.**, New York, NY (US)

(\*\*) Term: **14 Years**

(21) Appl. No.: **29/470,267**

(22) Filed: **Oct. 18, 2013**

(51) **LOC (10) Cl.** ..... **07-04**

(52) **U.S. Cl.**  
USPC ..... **D7/669**

(58) **Field of Classification Search**  
CPC ..... A47J 45/10  
USPC ..... D7/669, 368, 680-696, 393, 395;  
294/3, 27.1, 29, 33, 34, 31.1, 118, 119,  
294/99.1, 99.2; 220/573.1  
See application file for complete search history.

(56) **References Cited**

**U.S. PATENT DOCUMENTS**

116,330	A	6/1871	Lawrence et al.	
156,563	A *	11/1874	Goodrich et al.	294/29
475,363	A	5/1892	Traylor	
572,031	A	11/1896	Rush	
629,799	A	8/1899	Marsh	
784,803	A	3/1905	Moylan	
865,917	A *	9/1907	Kuehnlein	294/33
1,541,738	A *	6/1925	Peyton	294/29
1,551,592	A	9/1925	Weatherford	
2,200,432	A *	5/1940	Reed	294/29
2,217,319	A *	10/1940	Poole et al.	294/99.2
2,232,941	A *	2/1941	Fender	30/279.6
2,333,564	A	11/1943	Hargrave	
2,705,166	A	3/1955	Garrison	
2,733,947	A *	2/1956	Smith	294/34

3,272,547	A	9/1966	Pryce	
3,598,438	A *	8/1971	Taft	294/29
D262,346	S	12/1981	Riggles, Jr. et al.	
4,753,472	A *	6/1988	Fout	294/32
5,865,489	A	2/1999	Kobas	

(Continued)

**FOREIGN PATENT DOCUMENTS**

FR 1326544 A 5/1963

**OTHER PUBLICATIONS**

Ebay, Norpro Grip-Ez Grab And Lift Tong Spatula Gripper Pick New,  
[http://www.ebay.com/itm/Norpro-Grip-Ez-Grab-And-Lift-Tong-Spatula-Gripper-Pick-New-/370988869381?pt=LH\\_DefaultDomain\\_0&hash=item5660a8e705#ht\\_1833wt\\_986](http://www.ebay.com/itm/Norpro-Grip-Ez-Grab-And-Lift-Tong-Spatula-Gripper-Pick-New-/370988869381?pt=LH_DefaultDomain_0&hash=item5660a8e705#ht_1833wt_986).

(Continued)

*Primary Examiner* — Terry Wallace

(74) *Attorney, Agent, or Firm* — Cowan, Liebowitz & Latman, P.C.; Mark Montague, Esq.; Serge Krimnus, Esq.

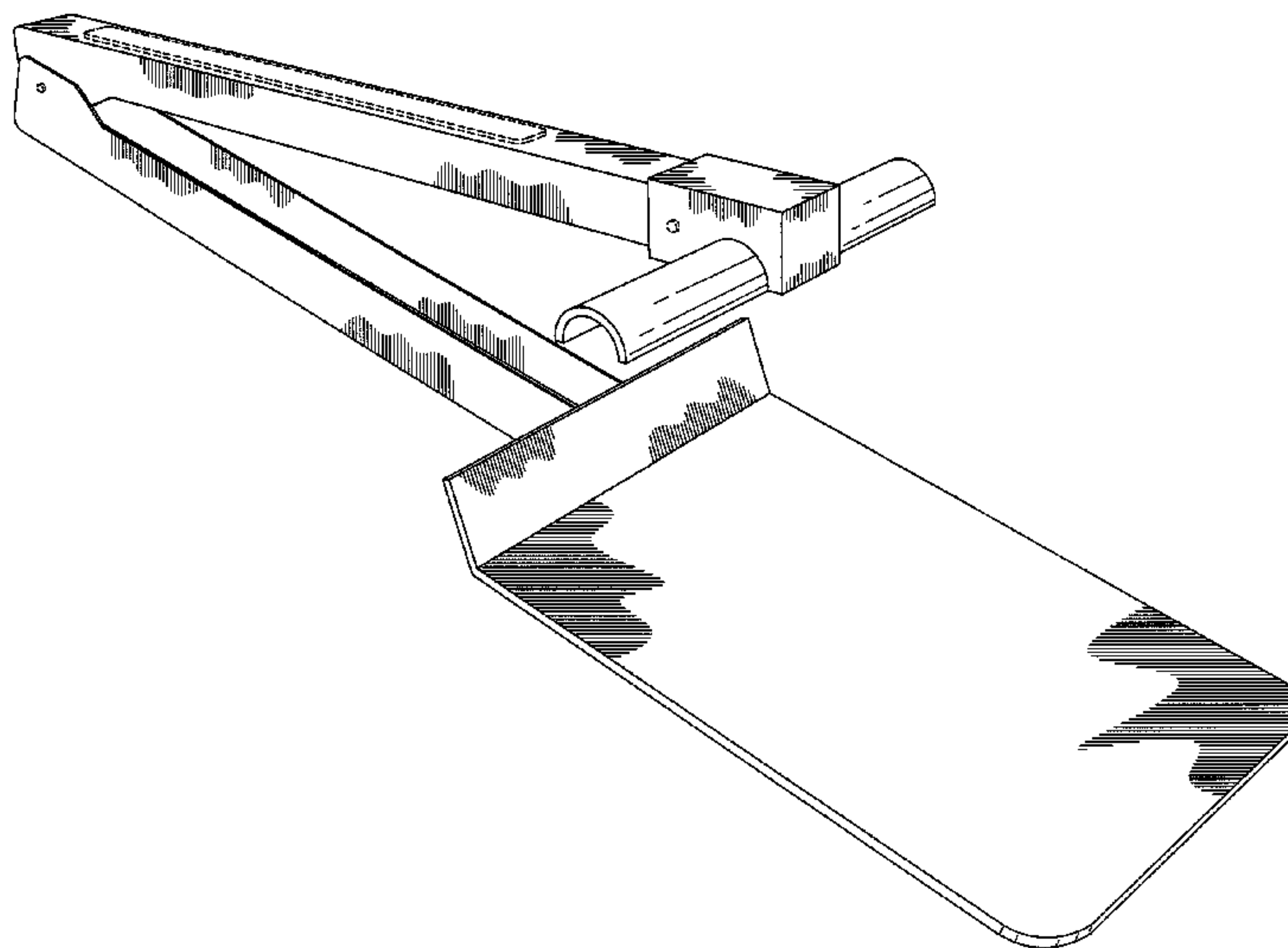
(57) **CLAIM**

The ornamental design for a device for handling bakeware, as shown and described.

**DESCRIPTION**

FIG. 1 is a top perspective view of the device for handling bakeware of the present invention;  
FIG. 2 is a front elevational view thereof;  
FIG. 3 is a rear elevational view thereof;  
FIG. 4 is a top plan view thereof;  
FIG. 5 is a right side elevational view thereof;  
FIG. 6 is a bottom plan view thereof;  
FIG. 7 is a left side elevational view thereof; and,  
FIG. 8 is a top perspective view thereof in an open position.  
Broken lines showing portions of the device for handling bakeware are for illustrative purposes and form no part of the claimed design.

**1 Claim, 4 Drawing Sheets**



(56)

**References Cited**

U.S. PATENT DOCUMENTS

D601,390 S 10/2009 Kiraly  
2003/0155785 A1\* 8/2003 Kitagawa et al. .... 294/15

OTHER PUBLICATIONS

Ebay, IMCG NC3985 High Grade Stainless Steel Pizza Grip Tongs,  
<http://www.ebay.com/itm/IMCG-NC3985-High-Grade-Stainless->

Steel-Pizza-Grip-Tongs-/390732960754?pt=LH\_DefaultDomain\_0&hash=item5af97fd3f2#ht\_1610wt\_1224.

Ebay, pizza pan shallow pan gripper /PPG-S/2030158ne213, [http://www.ebay.com/itm/pizza-pan-shallow-pan-gripper-PPG-S-2030158ne213-/321279327092?pt=UK\\_BOI\\_Restaurant\\_RL&hash=item4acdbd7b74#ht\\_96wt\\_1224](http://www.ebay.com/itm/pizza-pan-shallow-pan-gripper-PPG-S-2030158ne213-/321279327092?pt=UK_BOI_Restaurant_RL&hash=item4acdbd7b74#ht_96wt_1224).

European Search Report issued on May 27, 2014, that issued in the corresponding European Patent Application No. 14164951.7.

\* cited by examiner

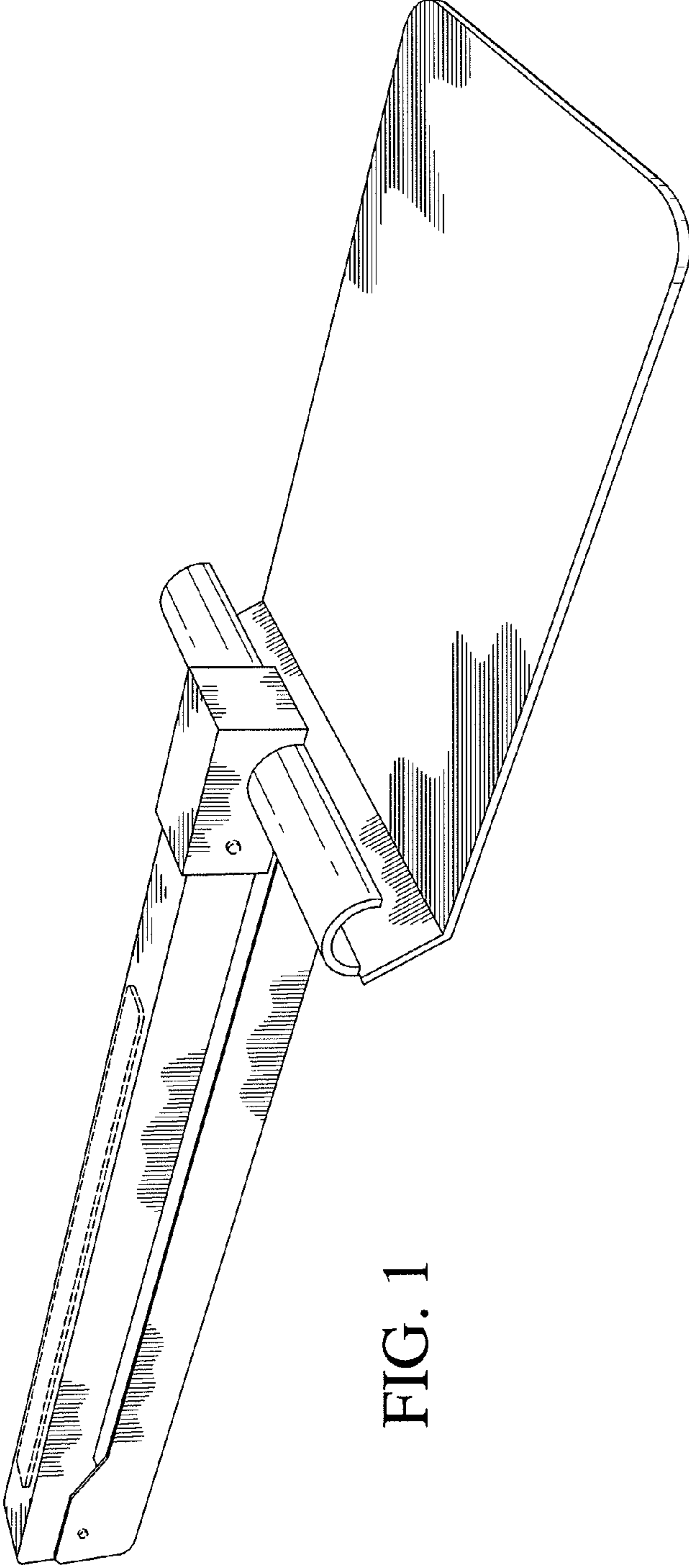


FIG. 1

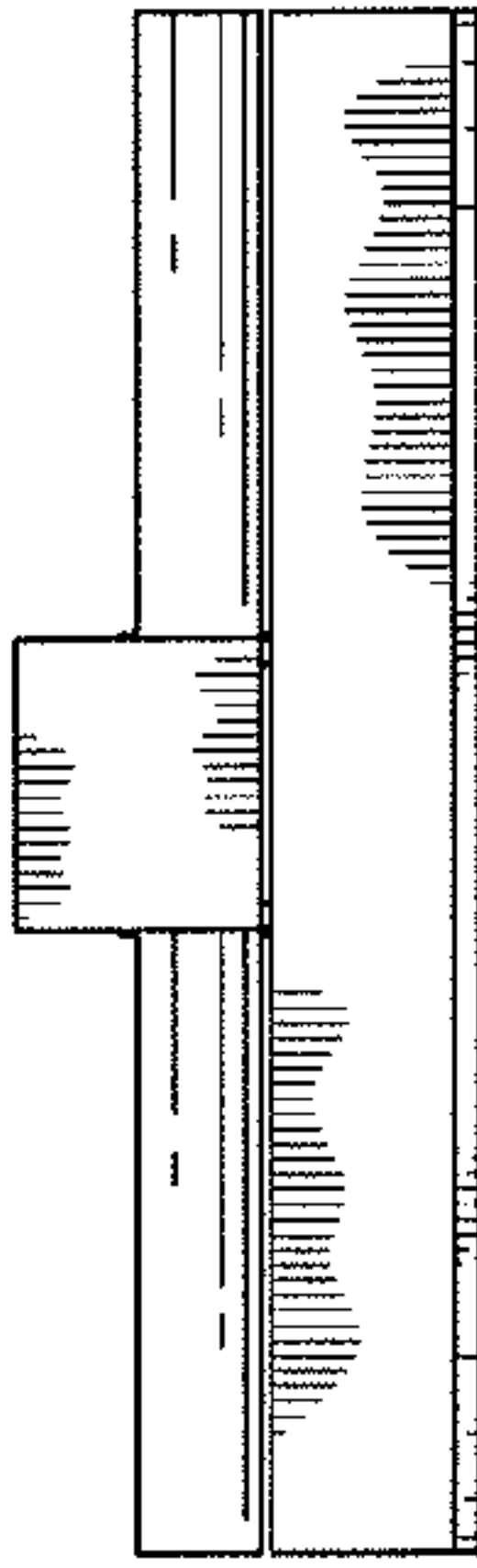


FIG. 2

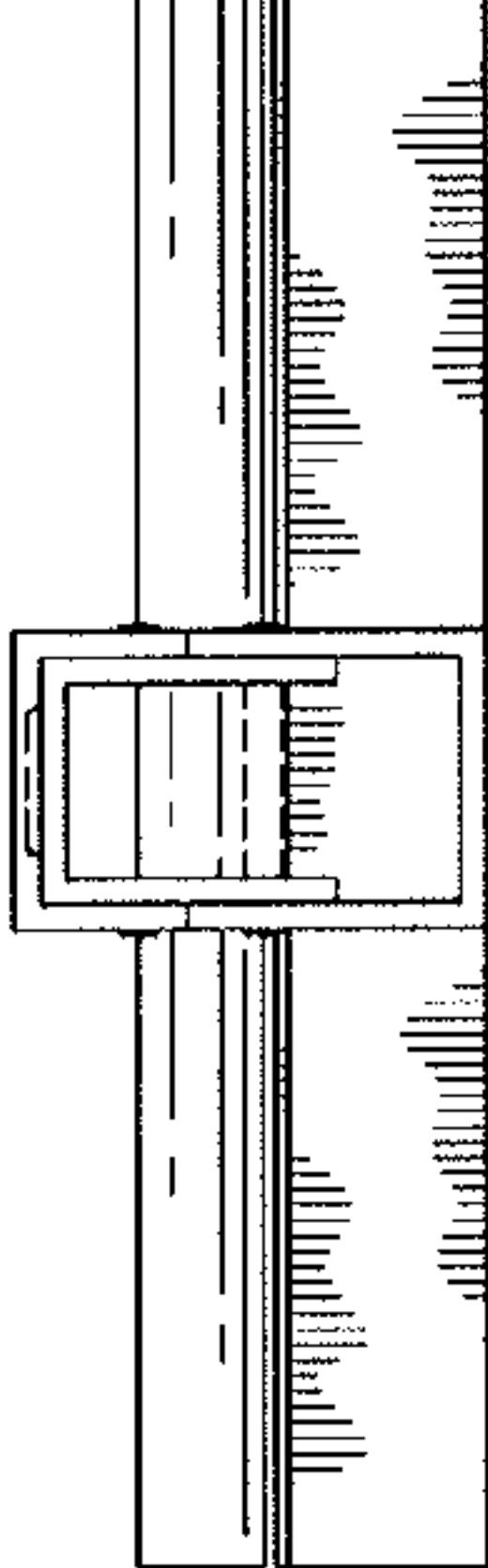


FIG. 3

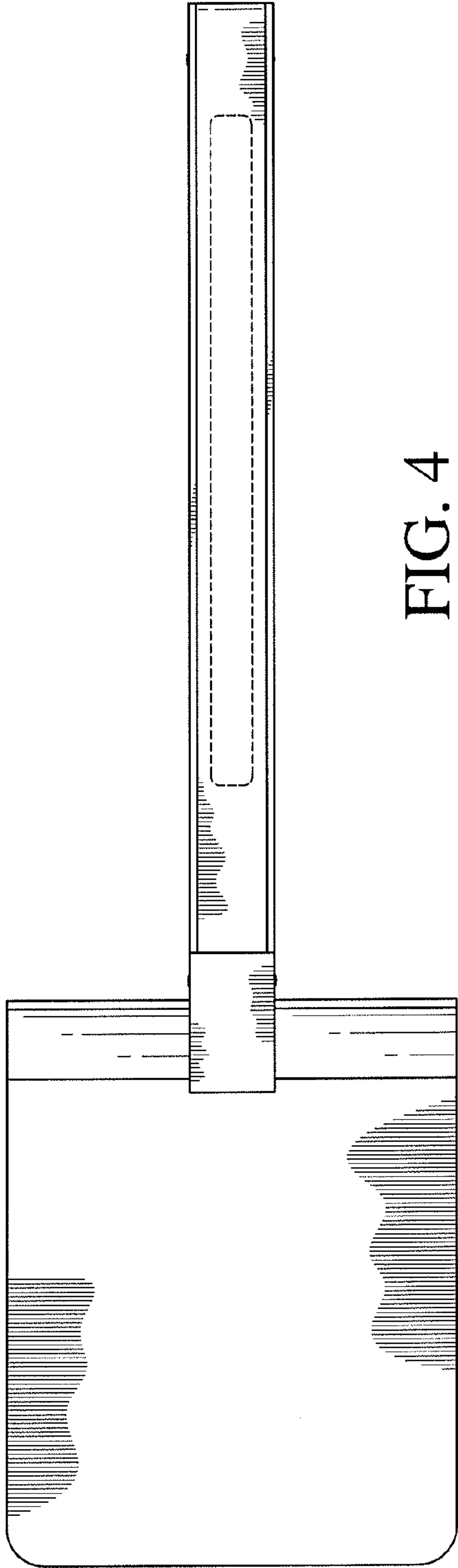


FIG. 4

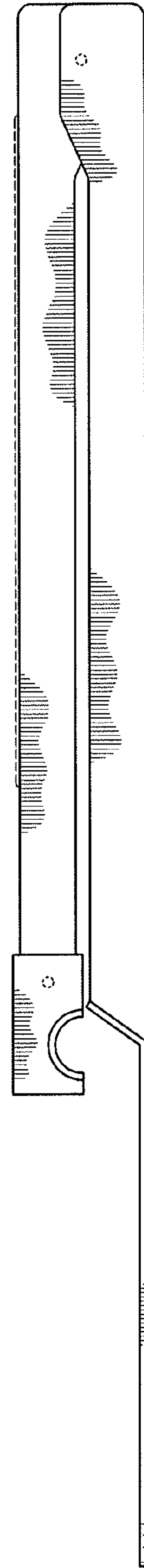


FIG. 5

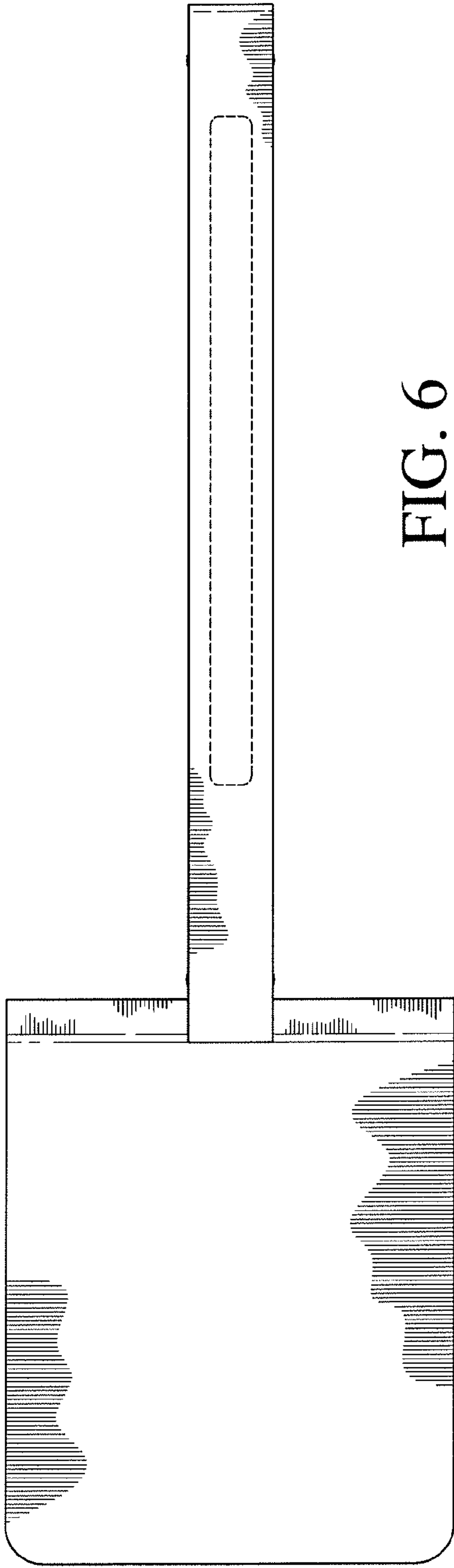


FIG. 6

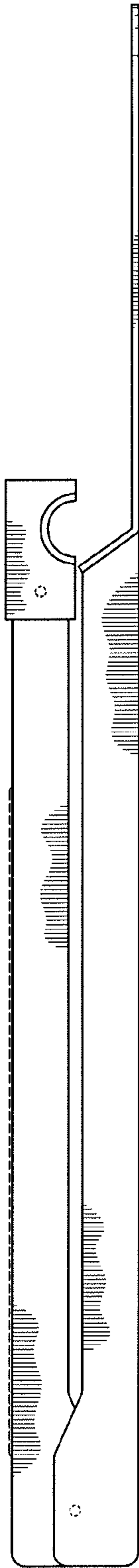


FIG. 7



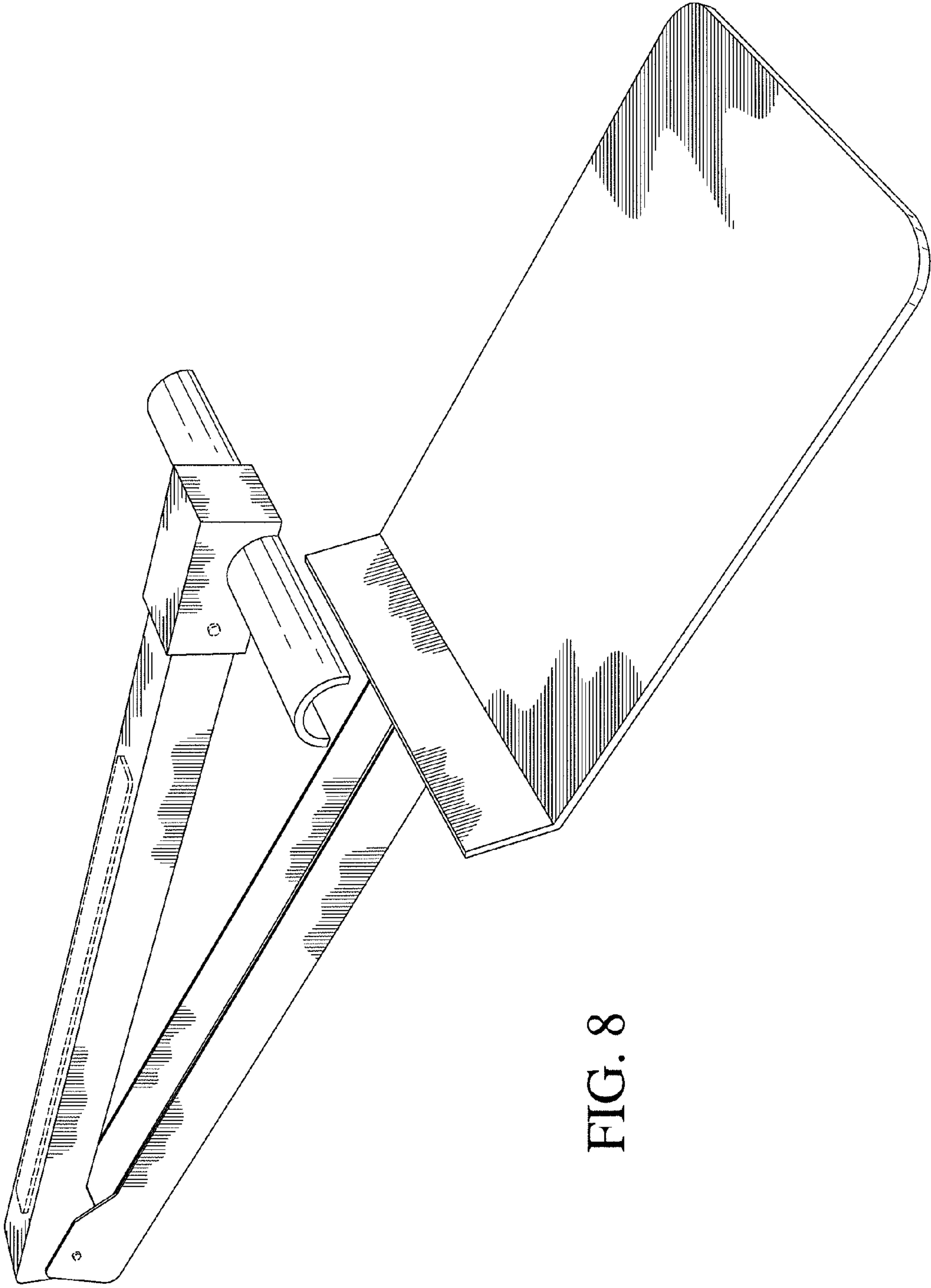


FIG. 8