

US00D720958S

(12) **United States Design Patent**  
**Kehoe**

(10) **Patent No.:** **US D720,958 S**  
(45) **Date of Patent:** **\*\* Jan. 13, 2015**

(54) **GLASS**  
(71) Applicant: **Daniel Pierre Kehoe**, Whitby (CA)  
(72) Inventor: **Daniel Pierre Kehoe**, Whitby (CA)  
(\*\*) Term: **14 Years**  
(21) Appl. No.: **29/442,839**  
(22) Filed: **May 28, 2013**

(30) **Foreign Application Priority Data**

Feb. 27, 2013 (CA) ..... 149954

(51) **LOC (10) CL.** ..... **07-99**

(52) **U.S. CL.**  
USPC ..... **D7/396.2; D7/515; D7/523**

(58) **Field of Classification Search**  
USPC ..... D7/510, 511, 512, 523, 507, 531, 524,  
D7/537, 528, 509, 533, 536, 515, 514,  
D7/396.2; 220/8, 92, 714, 666, 23.83, 719,  
220/713, 630, 710.5, 212.5, 717, 703;  
215/11.5, 398, 378, 6; 206/218, 581;  
D24/197, 224; D9/503, 504

See application file for complete search history.

(56) **References Cited**

**U.S. PATENT DOCUMENTS**

1,997,055 A \* 4/1935 Graefe ..... 215/12.1  
6,066,299 A \* 5/2000 Lodge ..... 422/547  
D427,691 S \* 7/2000 Asselta ..... D24/224  
D438,982 S \* 3/2001 Lodge et al. .... D24/224  
D453,837 S \* 2/2002 Lodge ..... D24/224

D465,031 S \* 10/2002 Lodge ..... D24/224  
D469,185 S \* 1/2003 Lodge ..... D24/224  
D618,510 S \* 6/2010 Ross ..... D7/523  
D623,897 S \* 9/2010 Ross ..... D7/523  
D629,916 S \* 12/2010 Lodge ..... D24/224  
D631,294 S \* 1/2011 Ross ..... D7/523  
D637,456 S \* 5/2011 Creech et al. .... D7/523  
D651,468 S \* 1/2012 Ozaydinli ..... D7/523  
8,157,120 B2 \* 4/2012 Yang ..... 220/678  
D693,176 S \* 11/2013 Kaiser ..... D7/523  
D696,067 S \* 12/2013 Vacanti ..... D7/396.2  
D698,201 S \* 1/2014 Bradford et al. .... D7/523  
D709,327 S \* 7/2014 Ross ..... D7/507  
D709,328 S \* 7/2014 Ross ..... D7/507  
2008/0264958 A1 \* 10/2008 Blake ..... 220/703

\* cited by examiner

*Primary Examiner* — Marianne Pandozzi

(57) **CLAIM**

I claim the ornamental design for a glass, as shown.

**DESCRIPTION**

FIG. 1 is a perspective view taken from the front and one side of the design;

FIG. 2 is a side elevational view of the design shown in FIG. 1;

FIG. 3 is a top elevational view of the design as shown in FIG. 1;

FIG. 4 is a bottom elevational view of the design as shown in FIG. 1; and,

FIG. 5 is a cross sectional view taken along line 5-5 of FIG. 2. The broken line portions in the drawings are for illustrative purposes and do not form part of the claimed design.

**1 Claim, 3 Drawing Sheets**

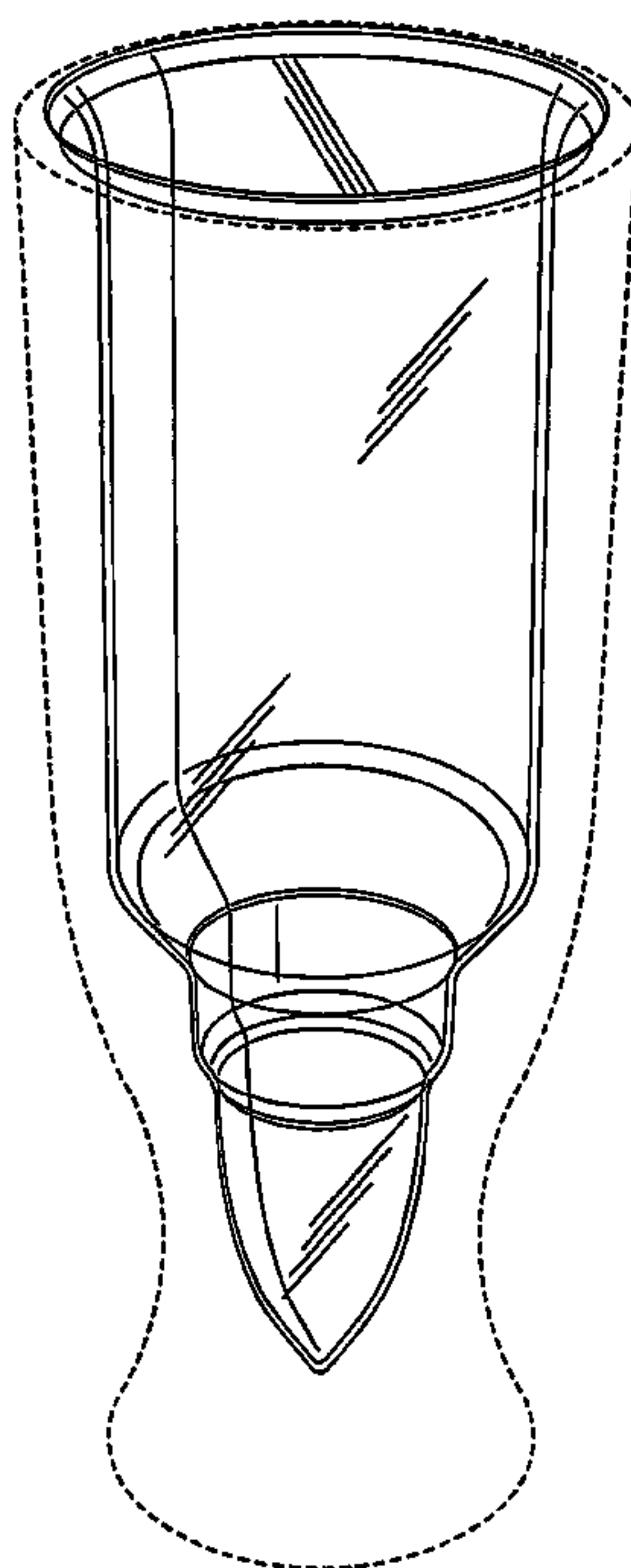


Fig.1

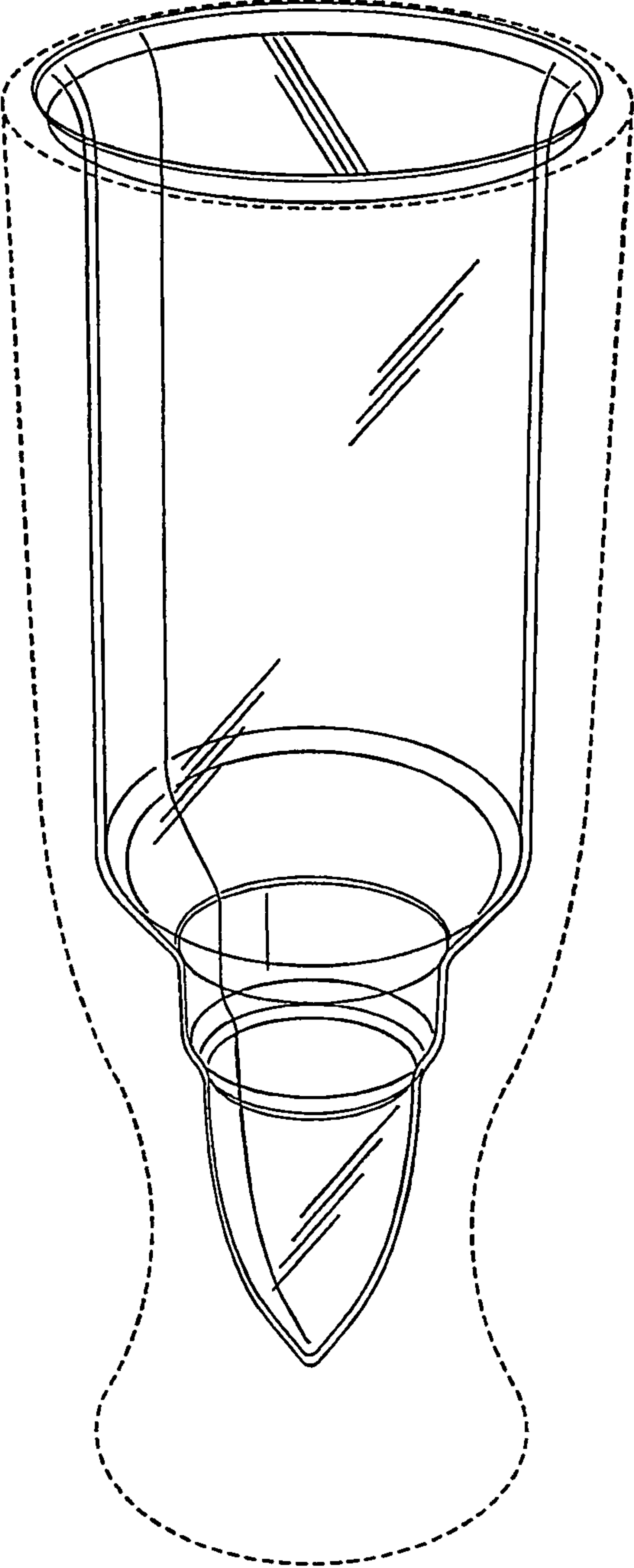


Fig.2

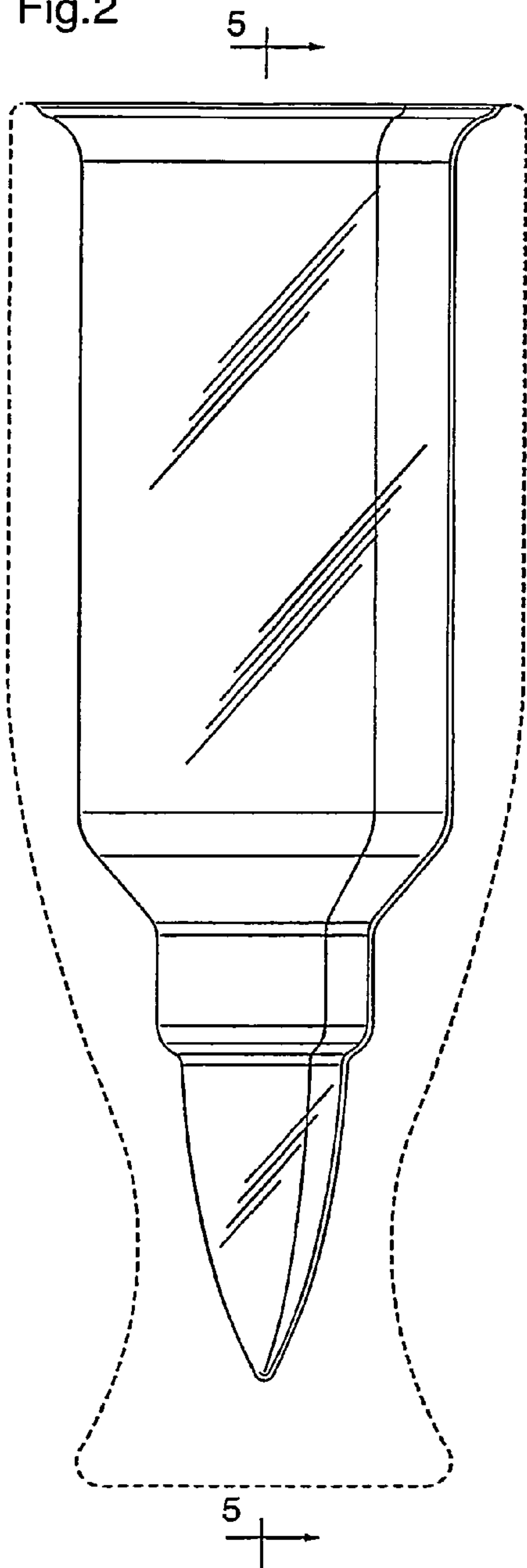


Fig.3

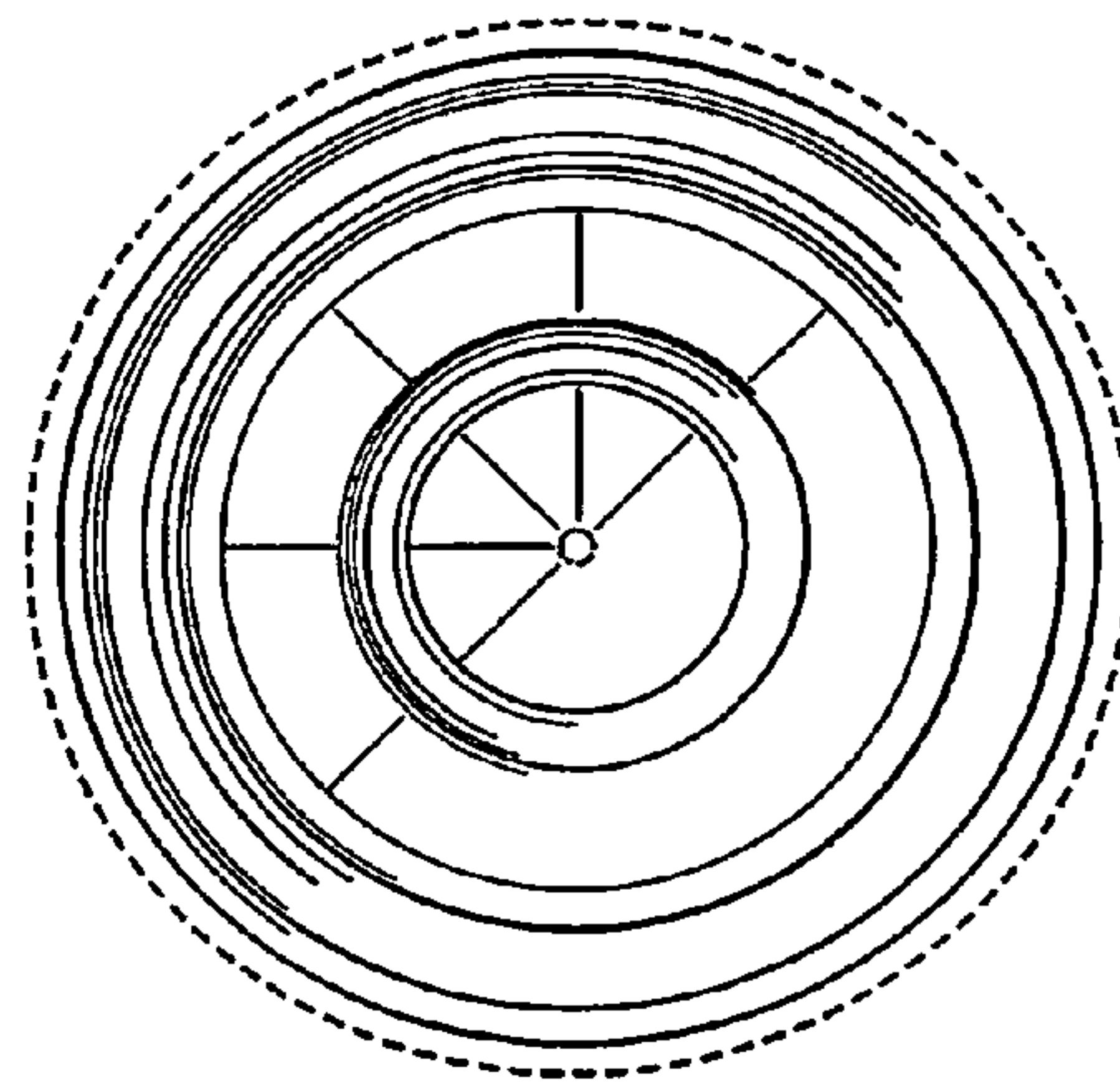


Fig.4

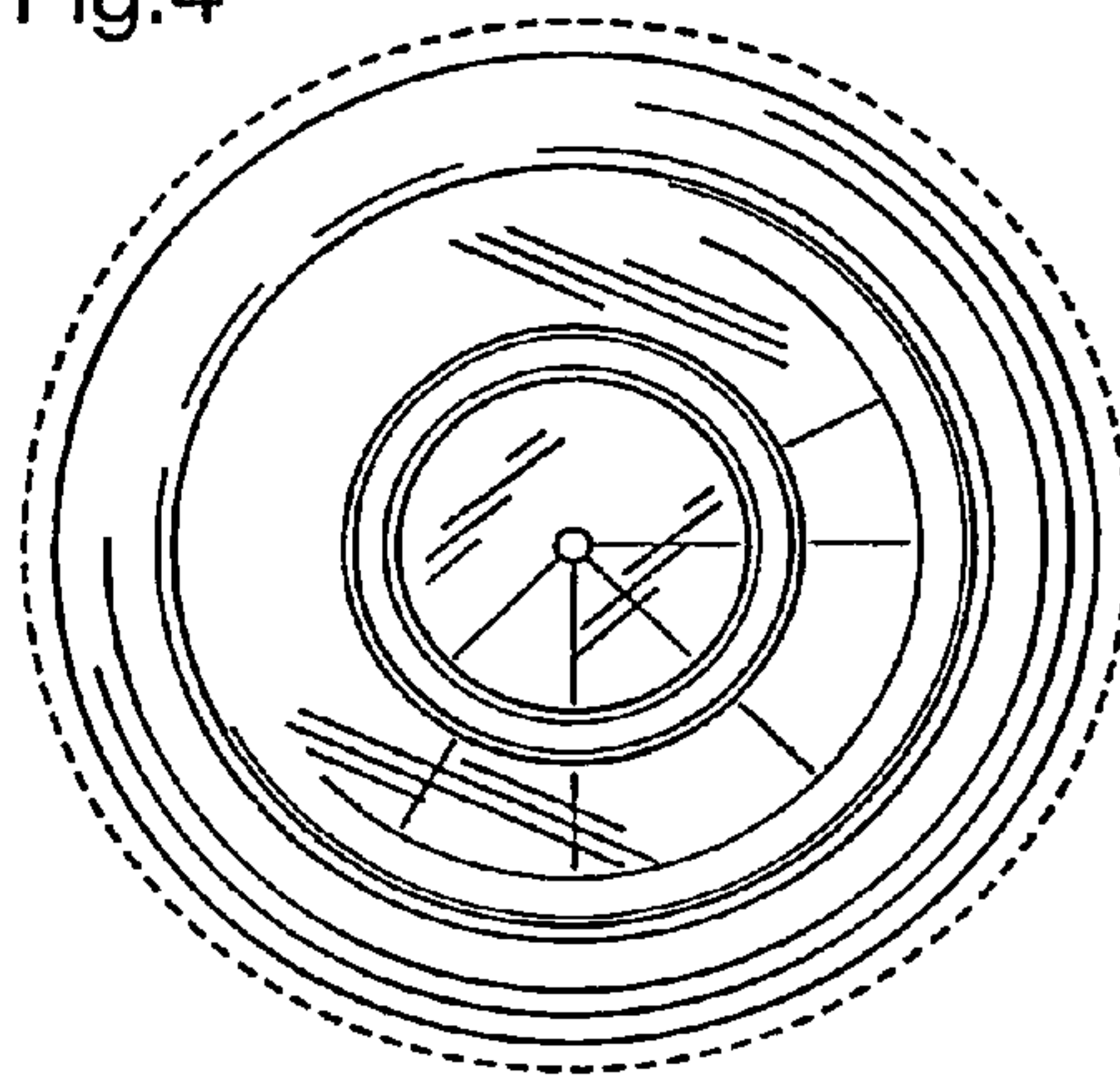


Fig.5

