



US00D720957S

(12) **United States Design Patent**
Gualini

(10) **Patent No.:** **US D720,957 S**

(45) **Date of Patent:** **** Jan. 13, 2015**

(54) **FOOD SLICER**

83/707-708, 717, 729-730, 859; 99/537,
99/543; 451/422, 444

(71) Applicant: **Idea S.r.l.**, Soncino (IT)

See application file for complete search history.

(72) Inventor: **Dario Gualini**, Soresina (IT)

(56) **References Cited**

(73) Assignee: **Idea S.r.l.** (IT)

U.S. PATENT DOCUMENTS

(**) Term: **14 Years**

(21) Appl. No.: **29/471,516**

(22) Filed: **Nov. 1, 2013**

(30) **Foreign Application Priority Data**

May 3, 2013 (EM) 002231837

(51) **LOC (10) Cl.** **31-00**

(52) **U.S. Cl.**
USPC **D7/383**

(58) **Field of Classification Search**

CPC B26D 1/14; B26D 1/143; B26D 1/15;
B26D 1/153; B26D 1/157; B26D 1/18;
B26D 1/28; B26D 5/00; B26D 5/06; B26D
5/08; B26D 5/10; B26D 5/12; B26D 5/22;
B26D 5/26; B26D 5/38; B26D 5/42; B26D
7/00; B26D 7/01; B26D 7/088; B26D 7/08;
B26D 7/12; B26D 7/18; B26D 7/1818;
B26D 7/22; B26D 7/225; B26D 7/24; B26D
7/26; B26D 7/2614; B26D 7/2621; B26D
7/2628; B26D 7/2635; B26D 7/30; B26D
7/32; B26D 7/325; B27B 5/29; B27G 13/00;
B27G 13/005; B27G 13/10
USPC D7/376-386, 412, 678; 29/281.1,
29/426.1; 83/13, 77, 91, 94, 102, 104,
83/167-168, 174.1, 247, 478, 546, 703,

2,573,860	A *	11/1951	Meeker et al.	83/729
4,186,634	A *	2/1980	Akczinski, Sr.	83/478
4,246,818	A *	1/1981	McGraw, Jr.	83/478
4,962,581	A *	10/1990	Rutigliano	29/426.1
5,188,011	A *	2/1993	Somal et al.	83/478
D426,744	S *	6/2000	Wong	D7/384
D491,773	S *	6/2004	So	D7/678
7,178,214	B1 *	2/2007	Wilson	29/281.1
D577,257	S *	9/2008	Kuan	D7/412
D694,572	S *	12/2013	Kobos et al.	D7/384
D696,550	S *	12/2013	Wong	D7/384

* cited by examiner

Primary Examiner — Ricky Pham

(74) *Attorney, Agent, or Firm* — Laubscher & Laubscher PC

(57) **CLAIM**

The ornamental design for a food slicer, as shown.

DESCRIPTION

FIG. 1 is a front perspective view of the invention illustrating my design;

FIG. 2 is a front elevation view thereof;

FIG. 3 is a rear elevation view thereof;

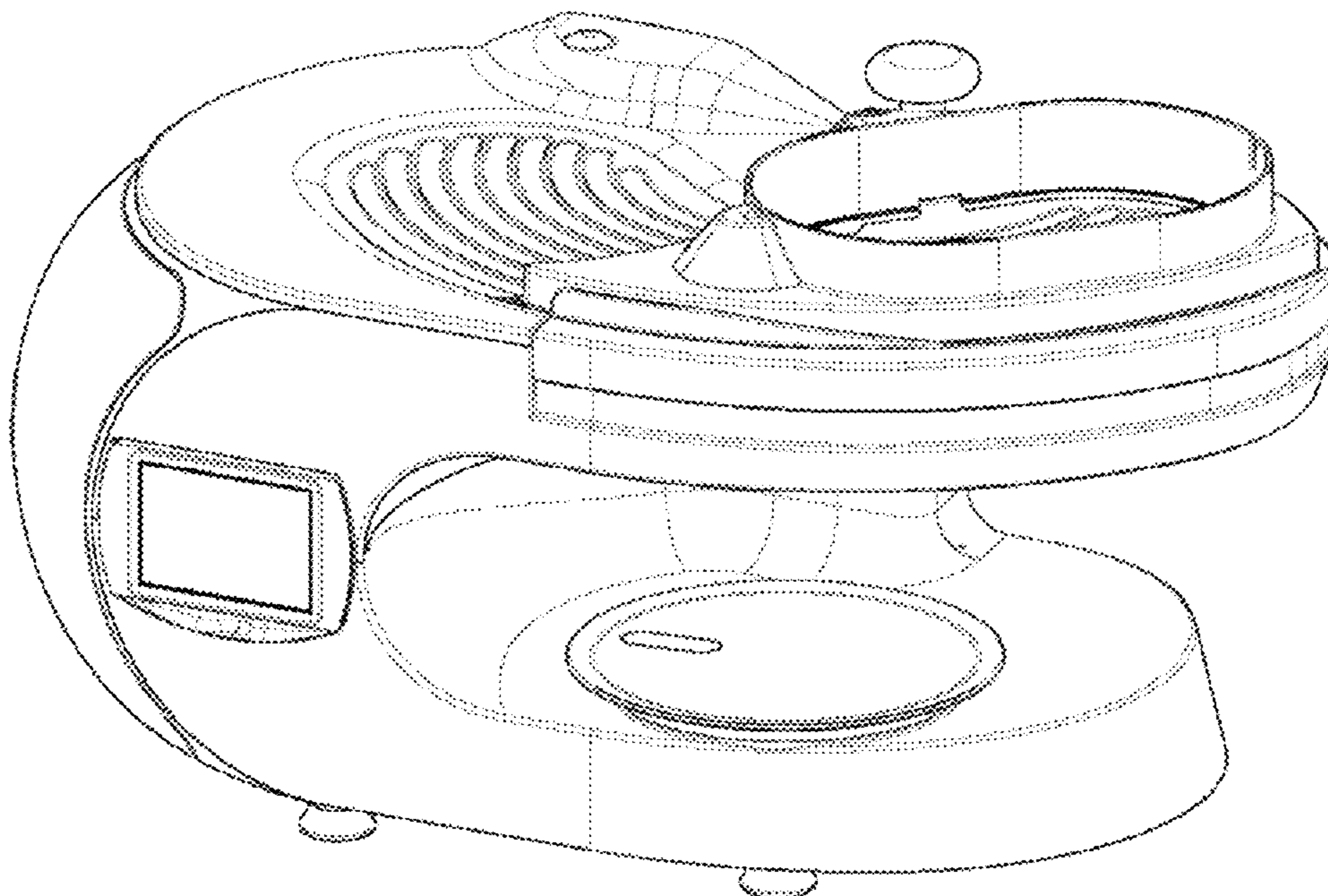
FIG. 4 is a right side elevation view thereof;

FIG. 5 is a left side elevation view thereof;

FIG. 6 is a top elevation view thereof; and,

FIG. 7 is a bottom elevation view thereof.

1 Claim, 7 Drawing Sheets



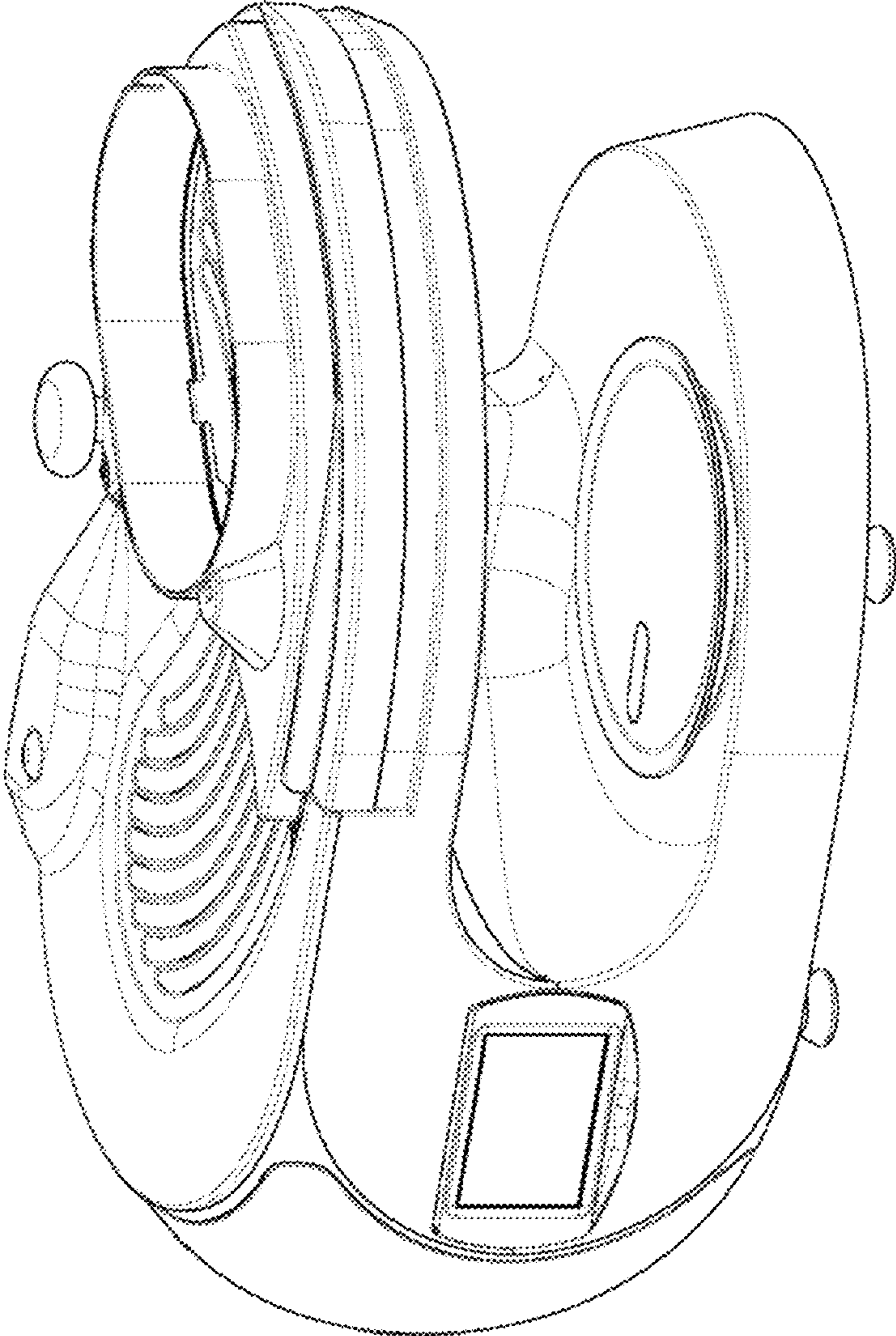


FIG 1.

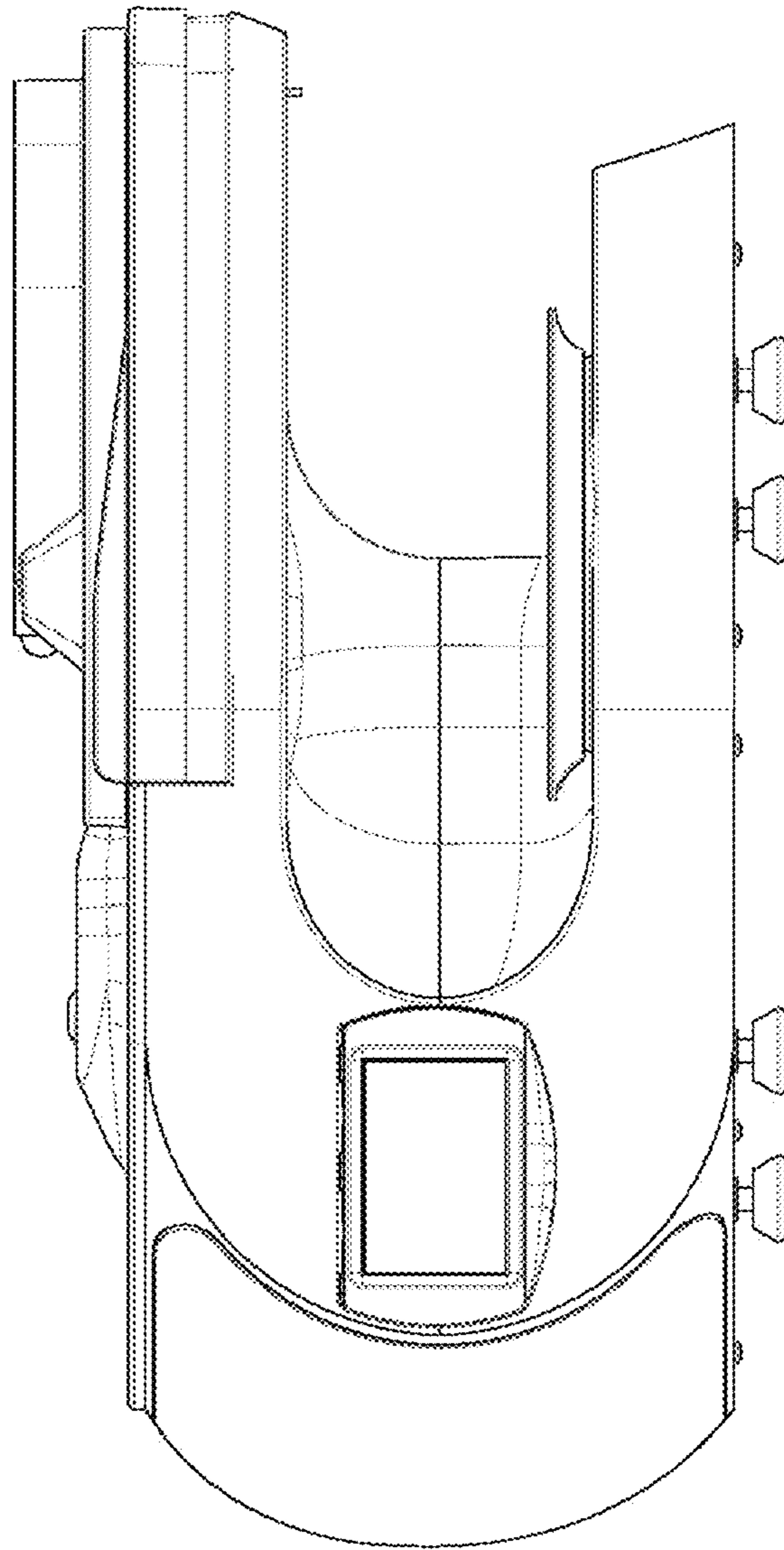


FIG 2.

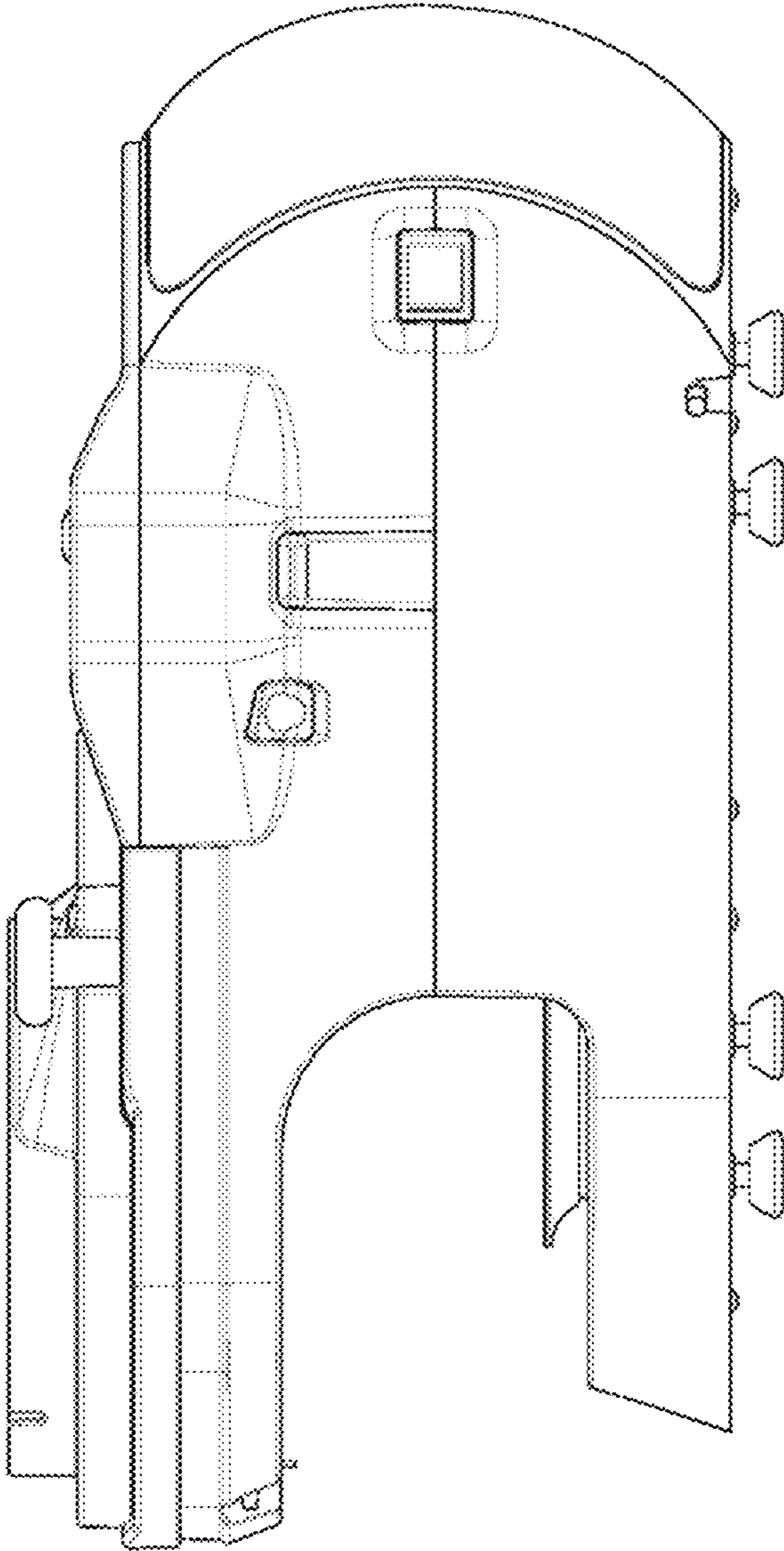


FIG. 3

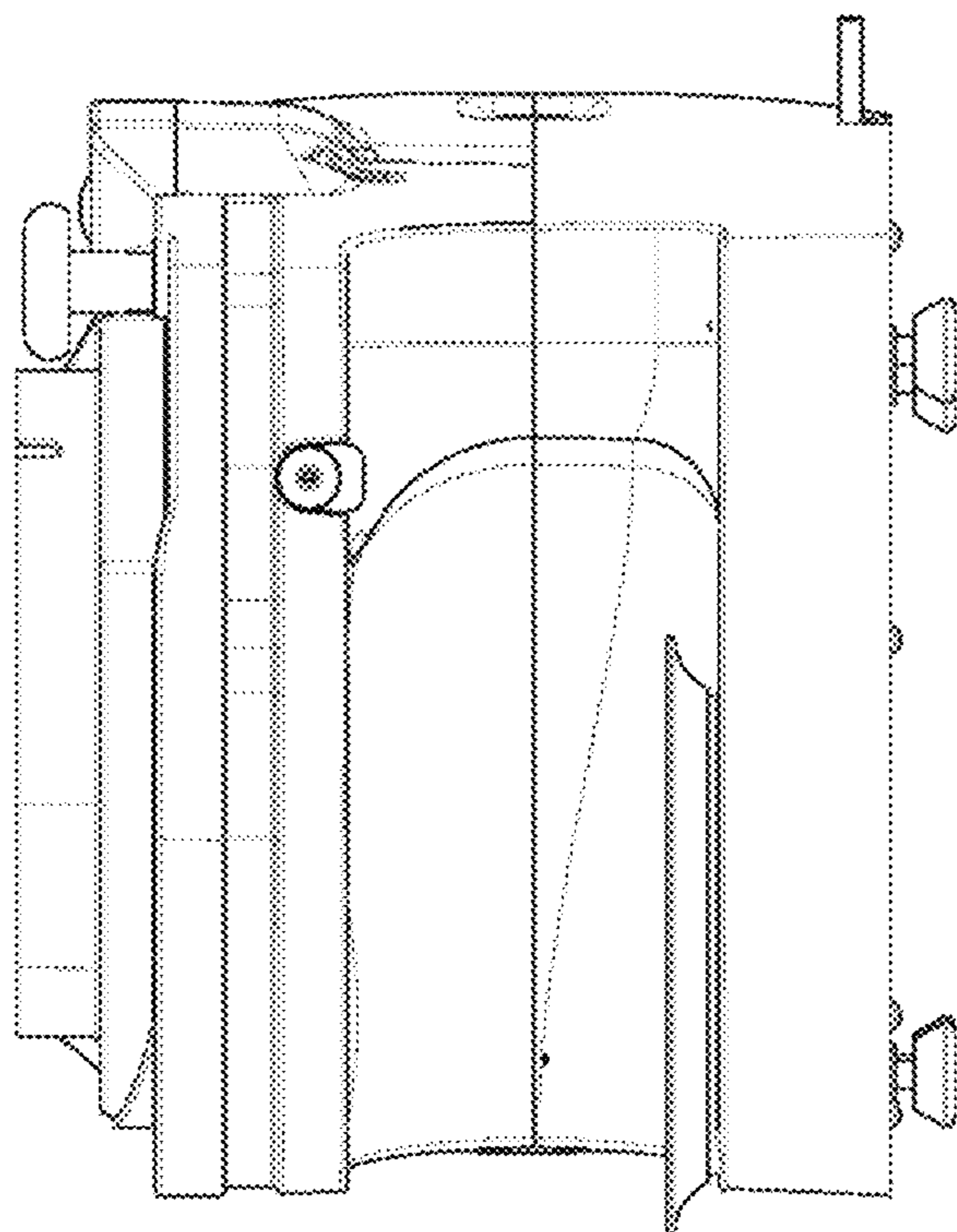


FIG. 4

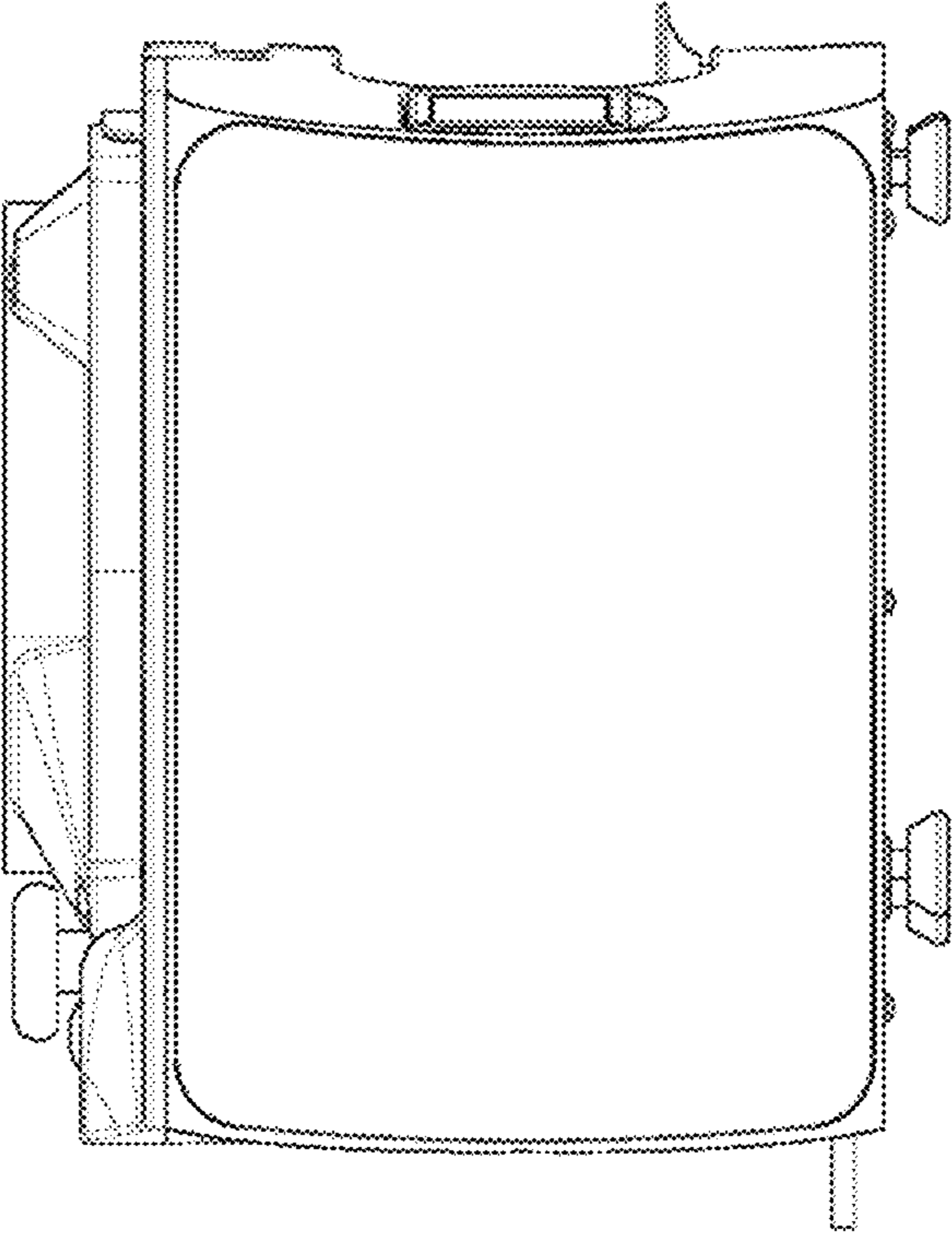


FIG. 5

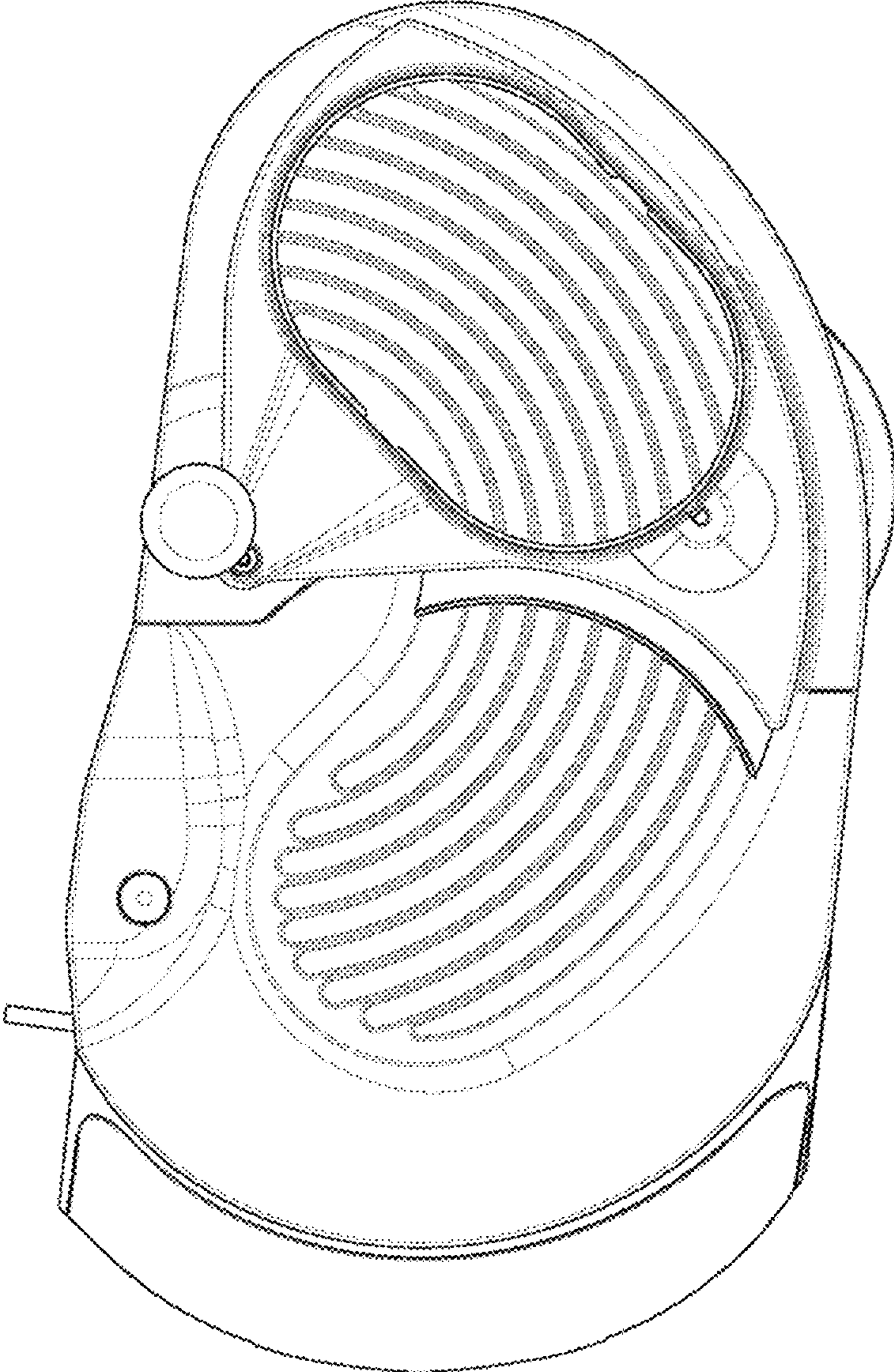


FIG. 6

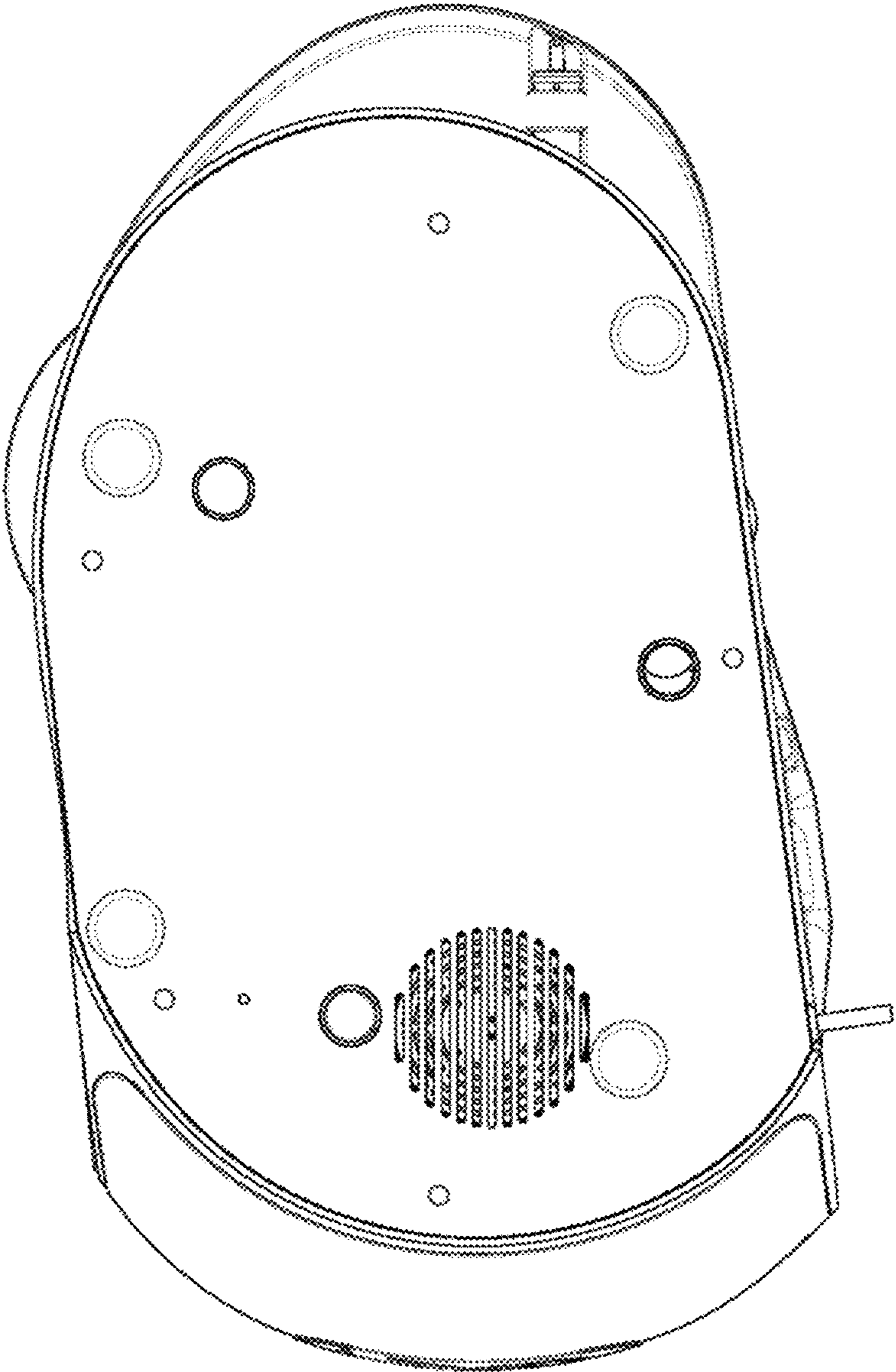


FIG. 7