



US00D720956S

(12) **United States Design Patent**
Leigh

(10) **Patent No.:** **US D720,956 S**
(45) **Date of Patent:** **** Jan. 13, 2015**

- (54) **GRILL**
- (71) Applicant: **Bobby D. Leigh**, Boynton Beach, FL
(US)
- (72) Inventor: **Bobby D. Leigh**, Boynton Beach, FL
(US)
- (**) Term: **14 Years**
- (21) Appl. No.: **29/461,579**
- (22) Filed: **Jul. 25, 2013**
- (51) **LOC (10) Cl.** **02-07**
- (52) **U.S. Cl.**
USPC **D7/335**
- (58) **Field of Classification Search**
CPC A47J 37/07-37/079; A47J 2037/0777
USPC D7/332, 334-337, 402-406; 126/25 R,
126/25 A, 25 AA, 37 R, 41 R, 41 A, 40, 39 M,
126/502, 214 D, 289, 285 R, 505, 506, 276,
126/312, 29-30, 154, 337 A, 83, 275 R, 9 R,
126/39 E, 39 K, 39 J, 39 N, 41 B, 42; 99/393,
99/402; D21/541, 549, 550, 548; D34/16
See application file for complete search history.

D436,284 S *	1/2001	Mak	D7/332
D442,818 S *	5/2001	Cragg	D7/334
6,298,774 B1	10/2001	Latham et al.		
6,644,299 B1	11/2003	Leon		
D485,115 S *	1/2004	Barrett	D7/332
D497,076 S *	10/2004	Sutcliff et al.	D7/332
6,863,100 B2 *	3/2005	Neal et al.	150/165
D538,580 S *	3/2007	Loving	D7/332
D546,115 S *	7/2007	Henry	D7/332
D551,489 S *	9/2007	Gondek	D7/332
D578,820 S *	10/2008	Bauer	D7/332
D587,873 S *	3/2009	Eshleman et al.	D7/334
D595,082 S *	6/2009	Chen	D7/337
2009/0211673 A1 *	8/2009	Neren	150/165

* cited by examiner

Primary Examiner — Ruth McInroy

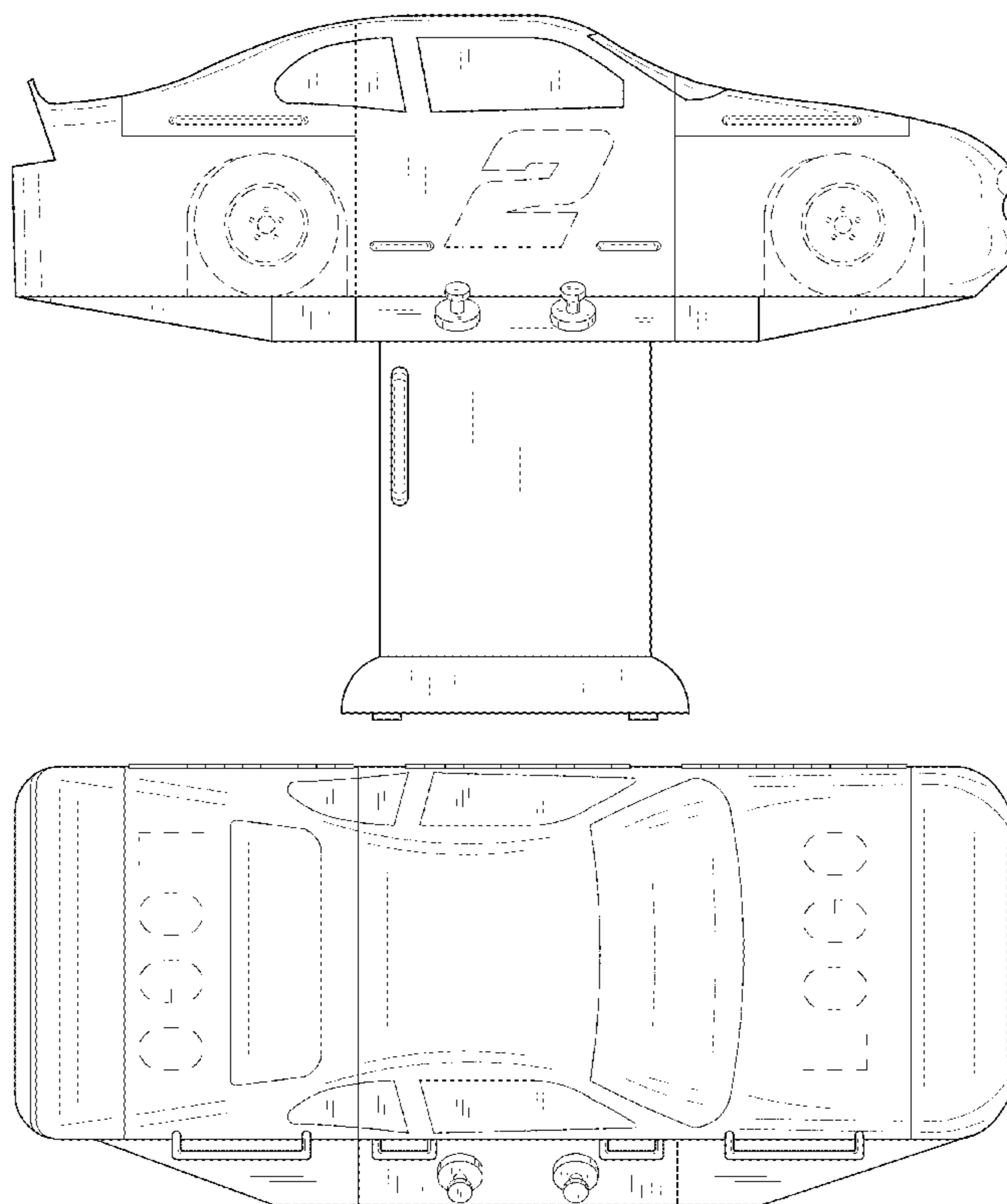
(57) **CLAIM**
The ornamental design for a grill, as shown and described.

DESCRIPTION

FIG. 1 is a front view of a grill showing my new design;
 FIG. 2 is a rear view thereof;
 FIG. 3 is a left side view thereof;
 FIG. 4 is a right side view thereof;
 FIG. 5 is a top view thereof; and,
 FIG. 6 is a bottom view thereof.
 The details shown in broken lines form no part of the claimed design.

1 Claim, 5 Drawing Sheets

- (56) **References Cited**
U.S. PATENT DOCUMENTS
D395,982 S * 7/1998 Dunn et al. D7/402
D415,800 S * 10/1999 Norton D21/549
D429,944 S * 8/2000 Alle D7/332



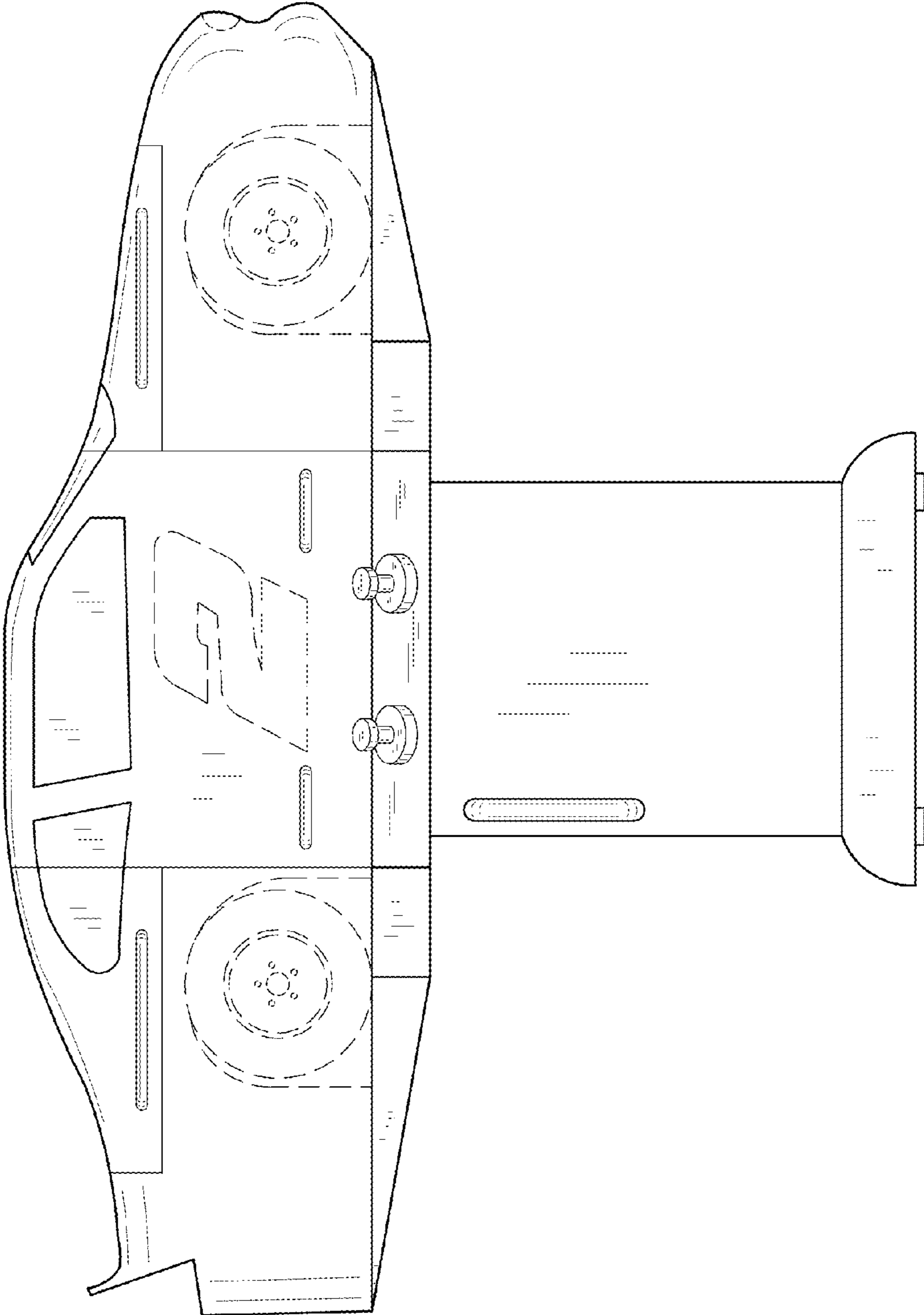


FIG. 1

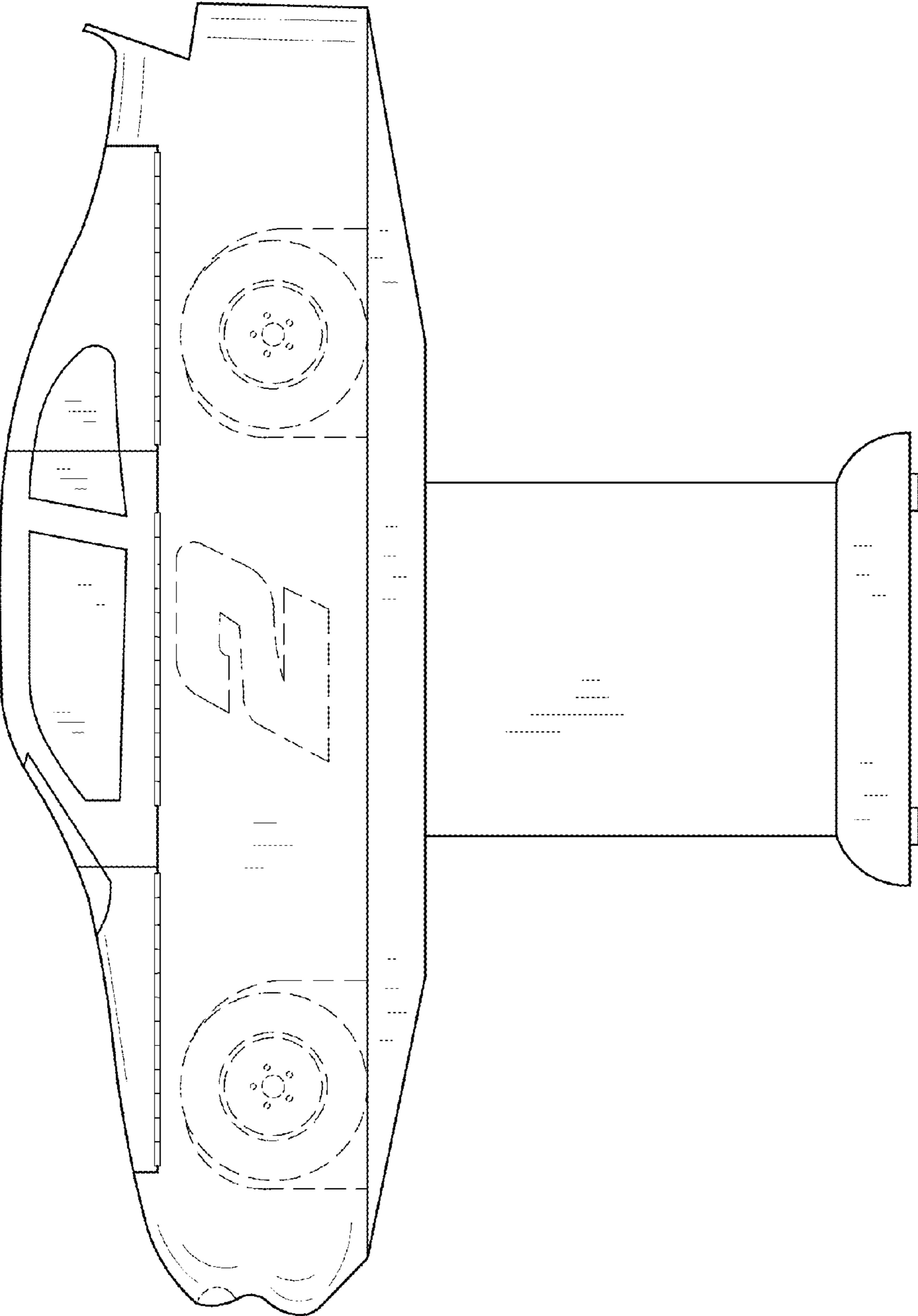


FIG. 2

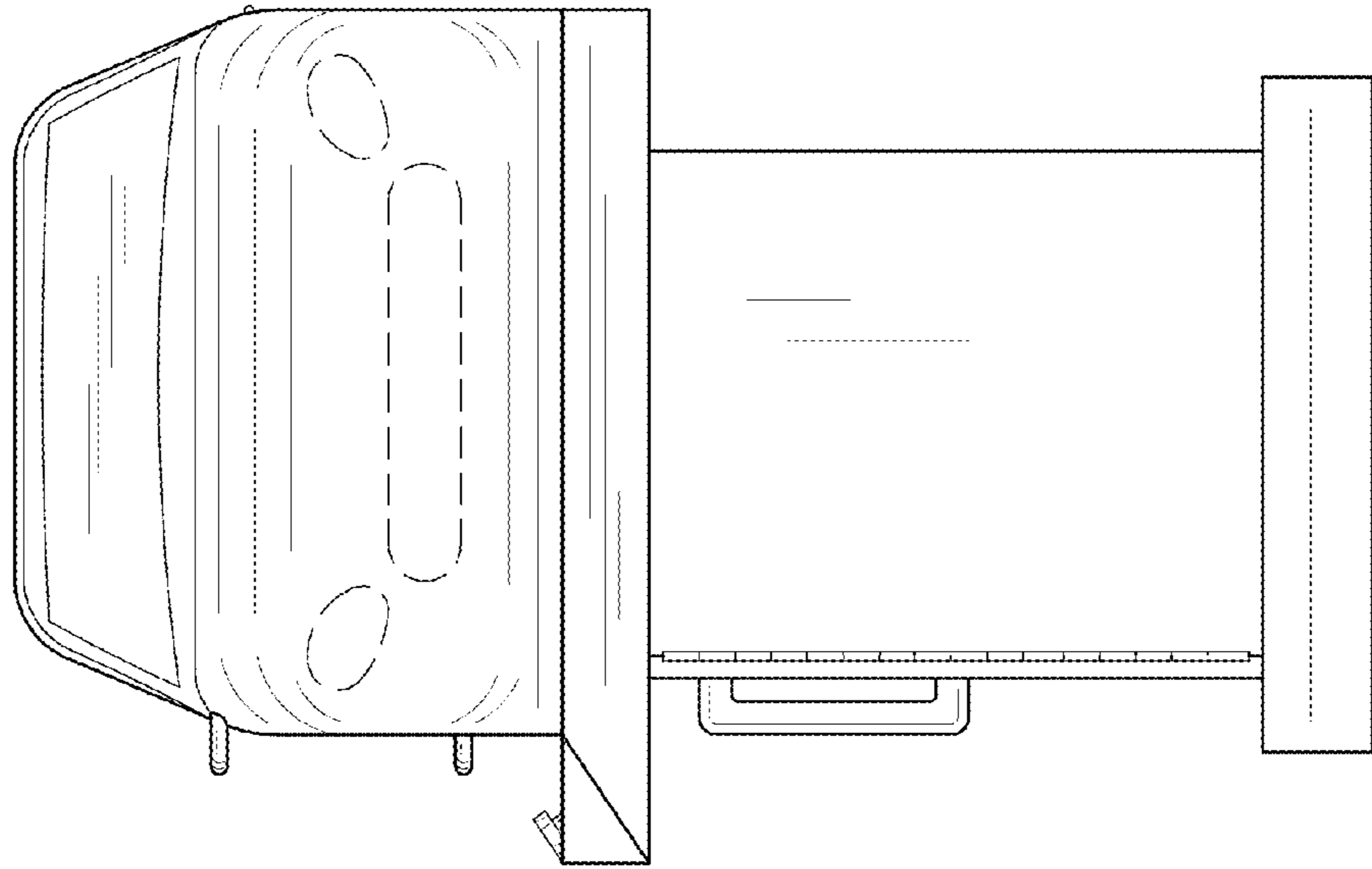


FIG. 4

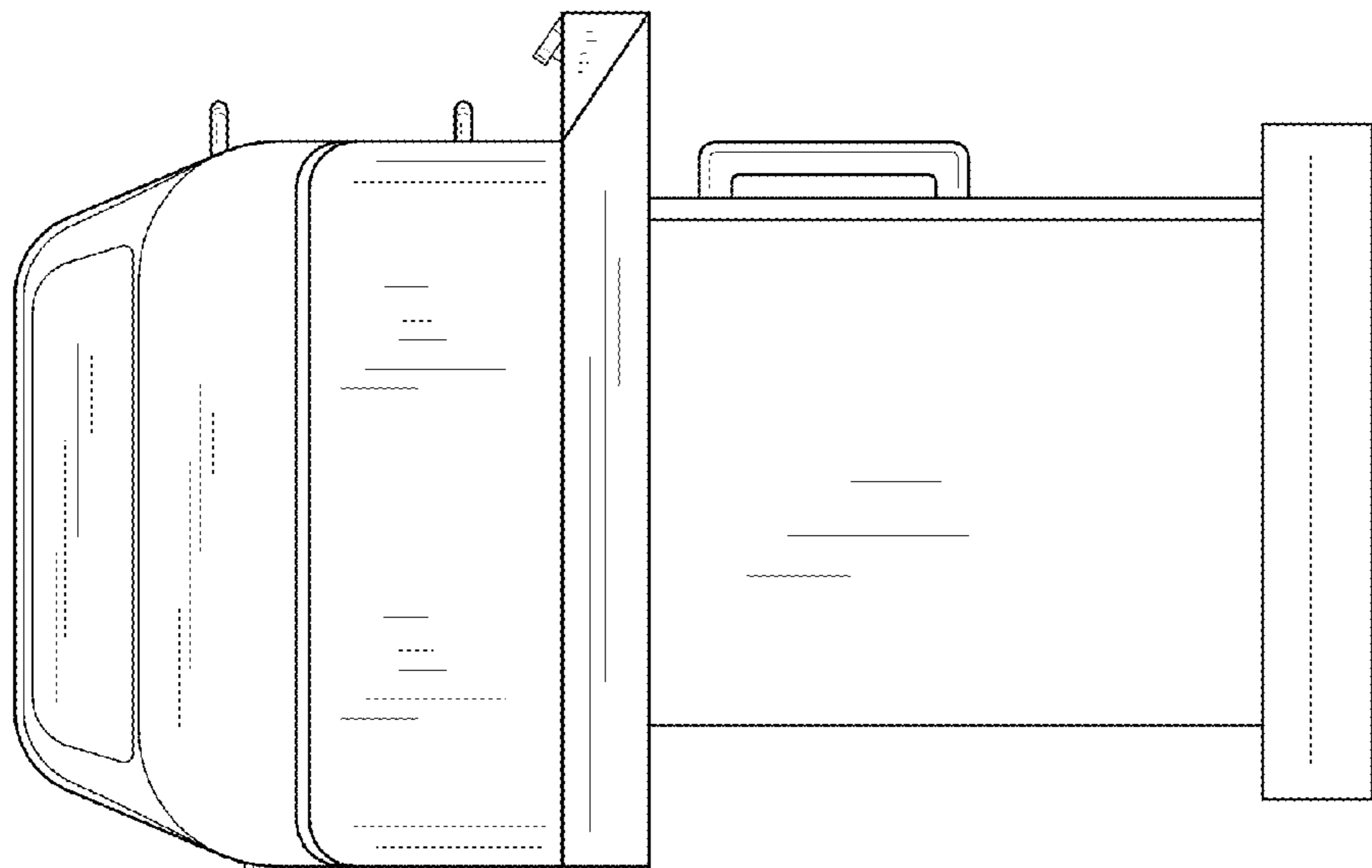


FIG. 3

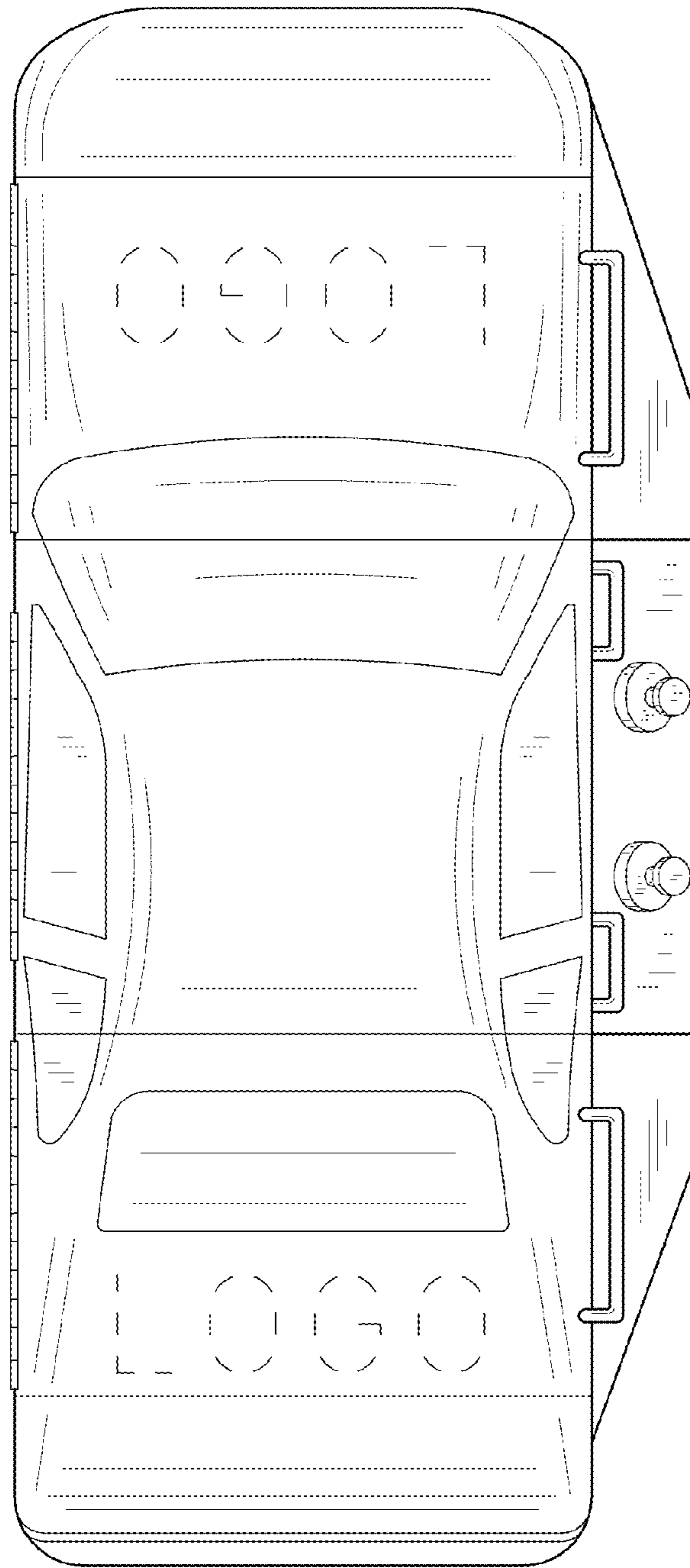


FIG. 5

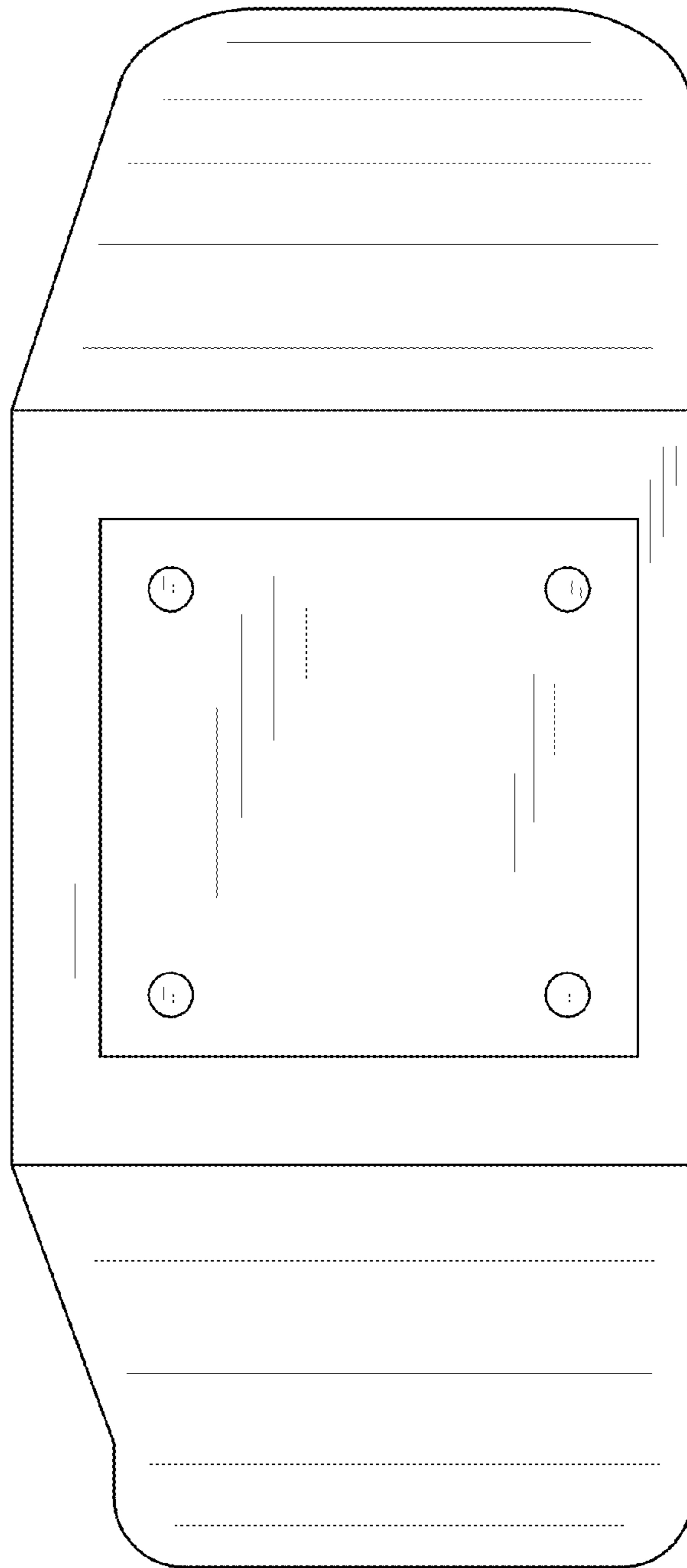


FIG. 6