



US00D720954S

(12) **United States Design Patent**
Lah

(10) **Patent No.:** **US D720,954 S**
(45) **Date of Patent:** **** Jan. 13, 2015**

(54) **CHAIR FRAME**

(71) Applicant: **Jeh-Kun Lah**, Seoul (KR)

(72) Inventor: **Jeh-Kun Lah**, Seoul (KR)

(**) Term: **14 Years**

(21) Appl. No.: **29/457,646**

(22) Filed: **Jun. 12, 2013**

(30) **Foreign Application Priority Data**

Apr. 11, 2013 (KR) 30-2013-0018861

(51) **LOC (10) Cl.** **06-06**

(52) **U.S. Cl.**
USPC **D6/708.16**

(58) **Field of Classification Search**

CPC A47C 4/03; A47C 5/06; A47C 5/12;
A47C 7/16; A47C 5/00; A47C 7/282; A47C
3/12; B60N 2/68

USPC D6/334-336, 369, 371-373, 375, 376,
D6/716, 716.1, 716.2, 716.3, 716.4

See application file for complete search history.

(56) **References Cited**

U.S. PATENT DOCUMENTS

D169,338 S * 4/1953 Risley D6/369
3,387,887 A * 6/1968 Jakobsen A47C 3/12

D226,052 S * 1/1973 Beall, Jr. D6/373
3,719,389 A * 3/1973 Burton et al. A47C 5/12
D227,055 S * 6/1973 Fisher D6/375
D233,963 S * 12/1974 Welton D6/375
3,981,538 A * 9/1976 Chubb A47C 7/282
D268,153 S * 3/1983 Arnold et al. D6/373
4,609,225 A * 9/1986 Loucks A47C 3/12
7,204,549 B1 * 4/2007 Zeng A47C 4/03

* cited by examiner

Primary Examiner — Mimoso De

(74) *Attorney, Agent, or Firm* — Nixon Peabody LLP;
Jeffrey L. Costellia

(57) **CLAIM**

The ornamental design for a chair frame, as shown and described.

DESCRIPTION

FIG. 1 is a perspective view of new design for a chair frame as shown in the drawings;
FIG. 2 is a front elevation view;
FIG. 3 is a rear elevation view;
FIG. 4 is a left elevation view;
FIG. 5 is a right elevation view;
FIG. 6 is a top plan view;
FIG. 7 is a bottom plan view; and,
FIG. 8 is a reference view showing that a fabric seat is attached to the chair frame.

1 Claim, 8 Drawing Sheets

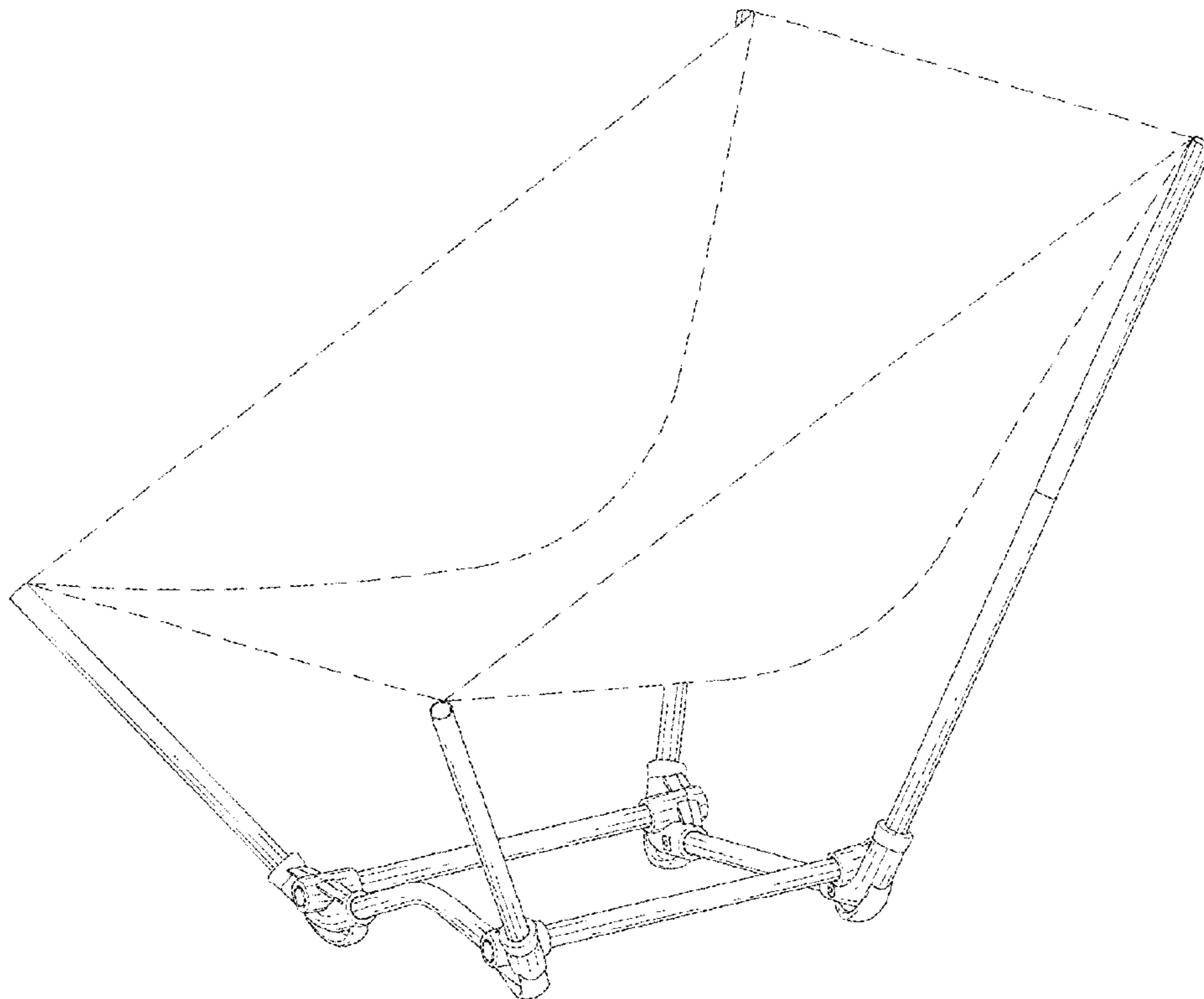


Fig. 1

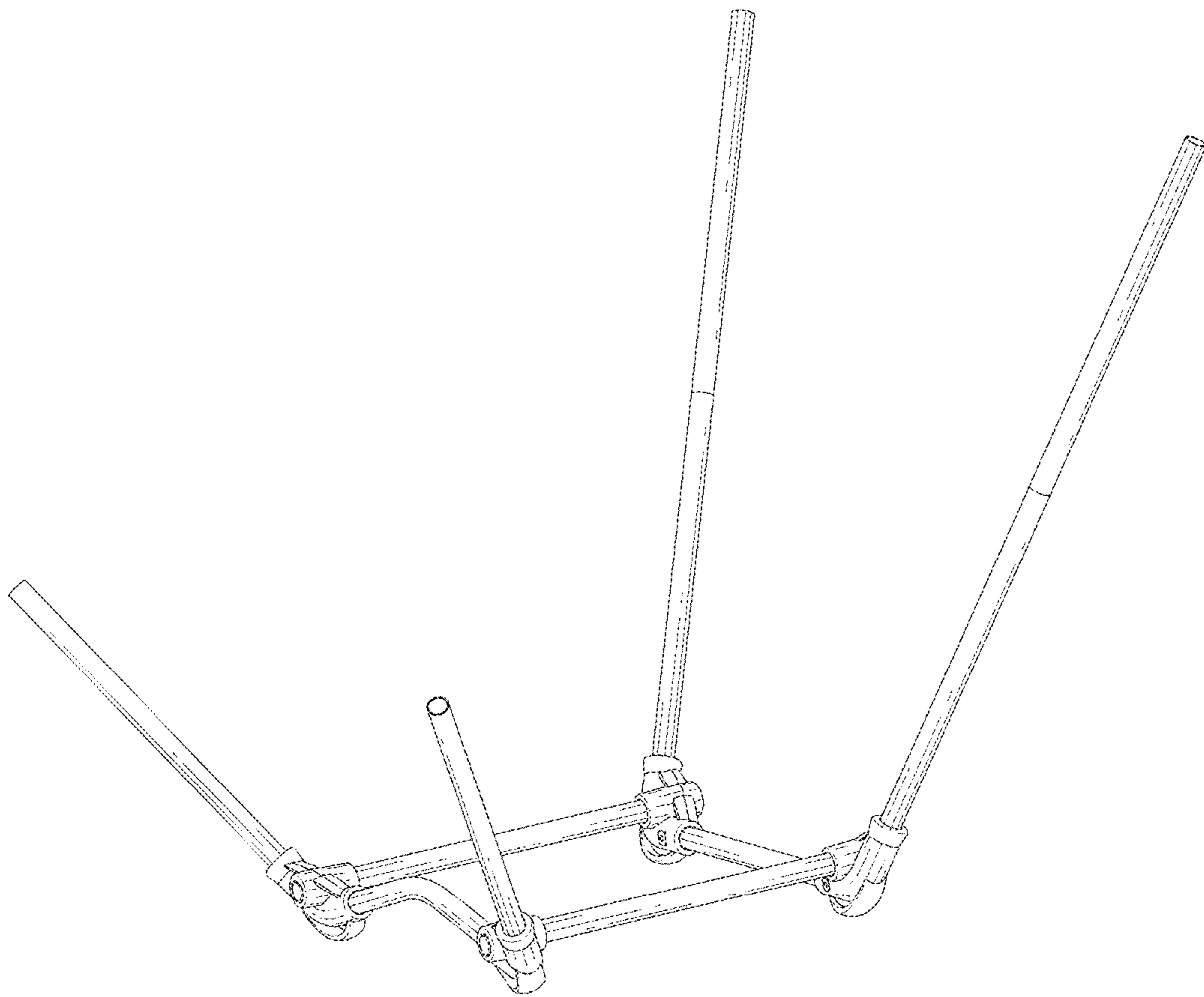


Fig. 2

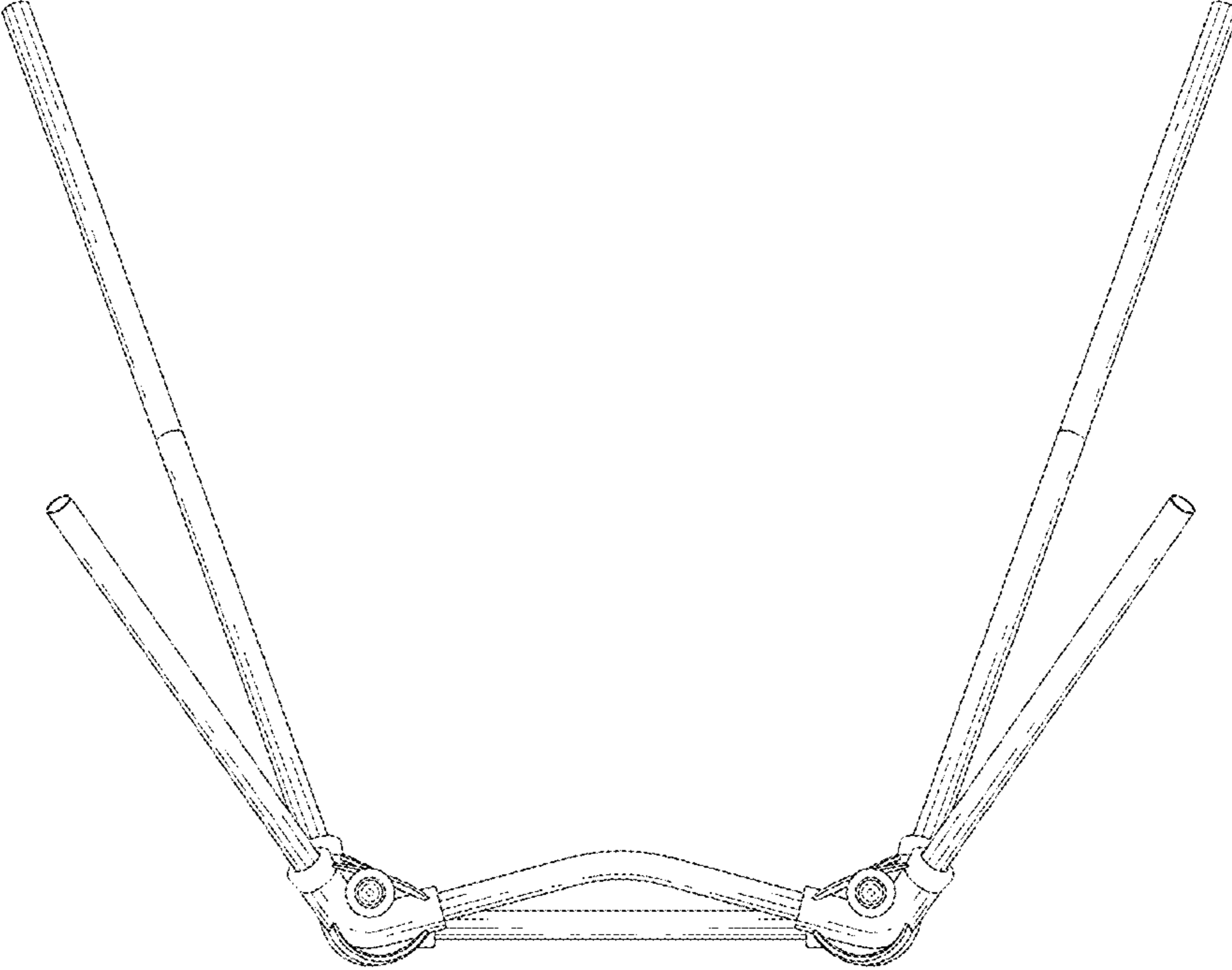


Fig. 3

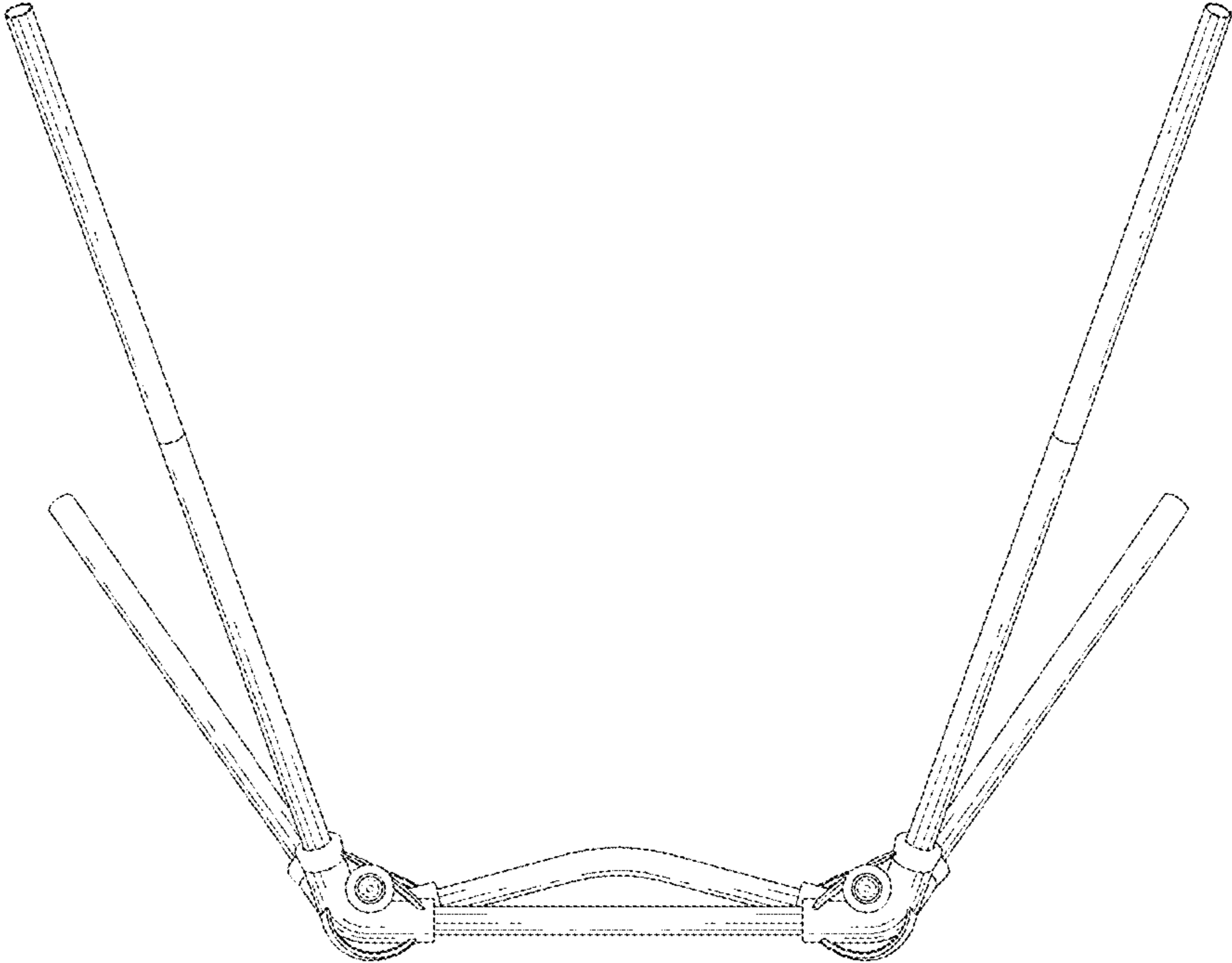


Fig. 4

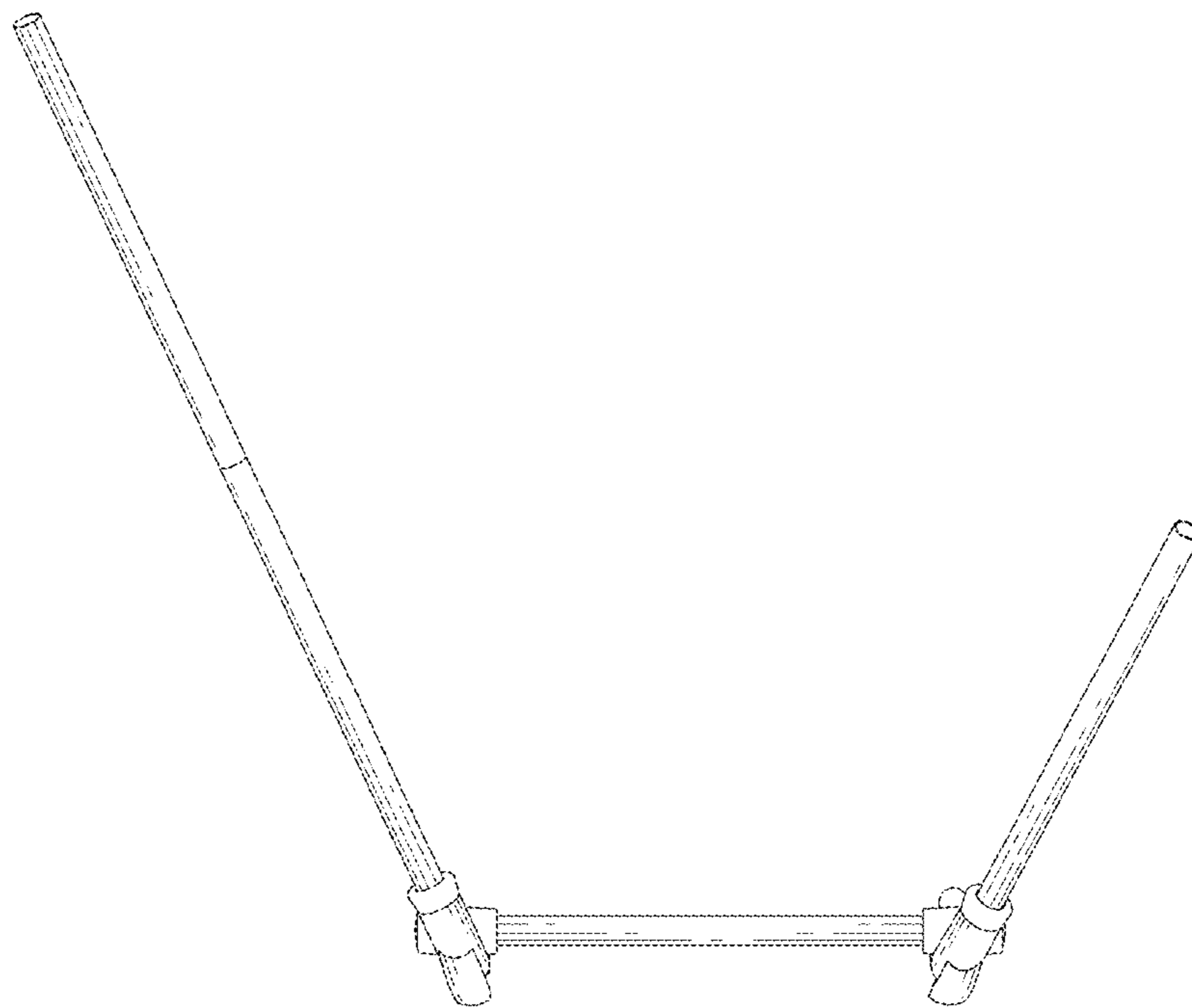


Fig. 5

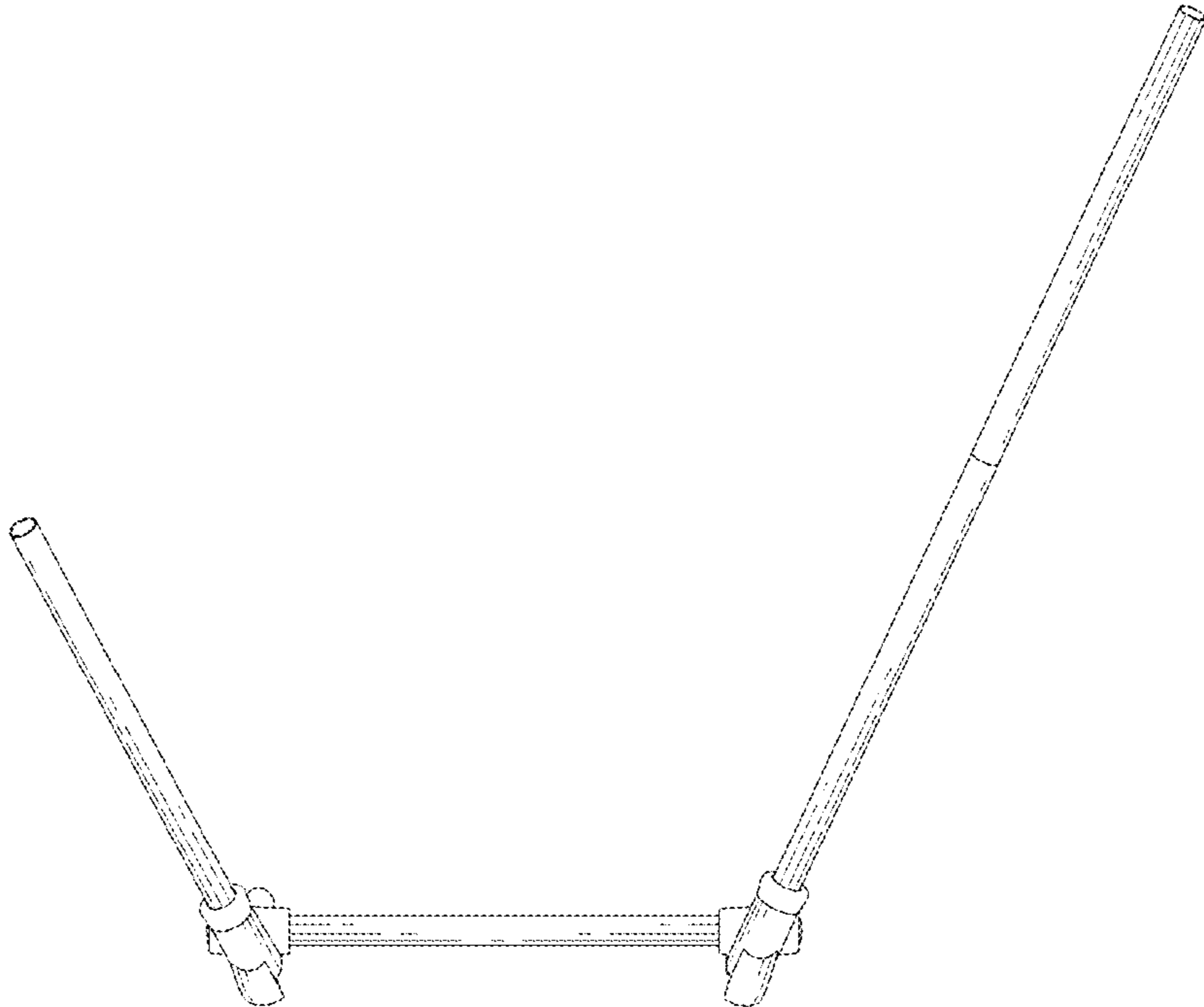


Fig. 6

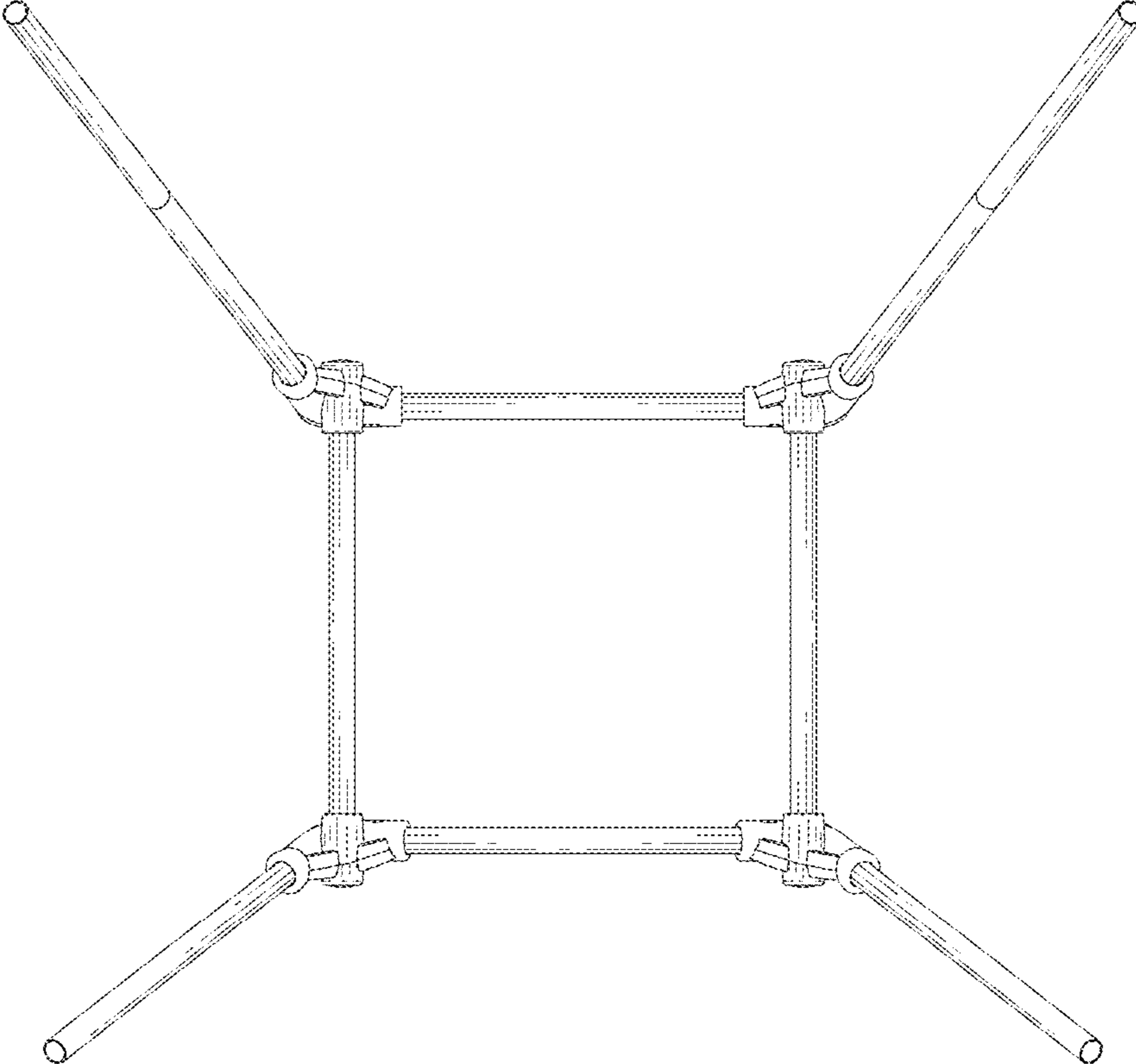


Fig. 7

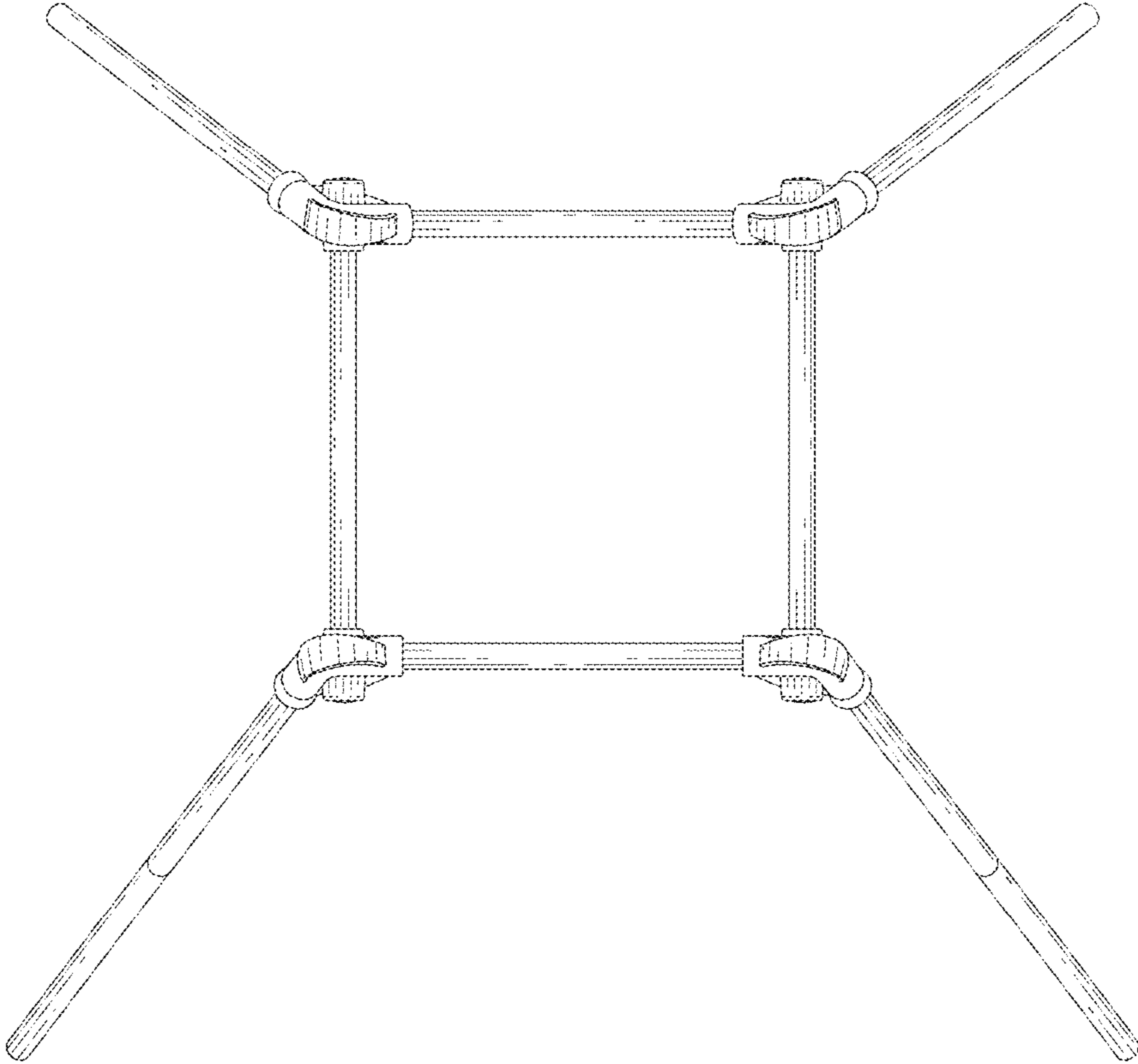


Fig. 8

