



US00D720953S

(12) **United States Design Patent**  
**Regan et al.**

(10) **Patent No.:** **US D720,953 S**  
(45) **Date of Patent:** **\*\* Jan. 13, 2015**

- (54) **CHAIR BASE**
- (71) Applicant: **Facility Concepts, Inc.**, Indianapolis, IN (US)
- (72) Inventors: **Kim J. Regan**, Carmel, IN (US);  
**Kenneth Weaver**, Zionsville, IN (US)
- (73) Assignee: **Facility Concepts, Inc.**, Indianapolis, IN (US)
- (\*\*) Term: **14 Years**
- (21) Appl. No.: **29/457,120**
- (22) Filed: **Jun. 7, 2013**
- (51) **LOC (10) Cl.** ..... **06-01**
- (52) **U.S. Cl.**  
USPC ..... **D6/708.16**
- (58) **Field of Classification Search**  
CPC ..... A47C 4/02; A47C 4/03; A47C 5/06;  
A47C 3/12; B60N 2/68  
USPC ..... D6/334-336, 360, 374, 375, 376, 379,  
D6/380, 716, 708.16, 716.1, 716.2, 716.3,  
D6/716.4; 297/448.1, 445.1, 446.1,  
297/452.18, 452.19, 452.2, 452.29  
See application file for complete search history.

- D409,849 S \* 5/1999 Tseng ..... D6/360
- D421,344 S 3/2000 Kaiser
- D442,399 S 5/2001 Markus
- D457,019 S \* 5/2002 Liu ..... D6/708.16
- D470,317 S 2/2003 Roth
- D472,723 S 4/2003 Haney et al.
- D483,304 S 12/2003 Ford
- D524,082 S 7/2006 Dettmann et al.
- D539,060 S 3/2007 Egger
- D541,069 S 4/2007 Peitz et al.
- D543,738 S 6/2007 Quicoy
- D547,979 S 8/2007 Glass et al.
- D557,513 S 12/2007 Benden et al.
- D571,129 S 6/2008 Sottsass
- D574,623 S 8/2008 Bartlmae
- 7,422,187 B2 \* 9/2008 Traut ..... A47C 4/02

(Continued)

*Primary Examiner* — Mimosa De  
(74) *Attorney, Agent, or Firm* — Woodard, Emhardt,  
Moriarty, McNett & Henry LLP

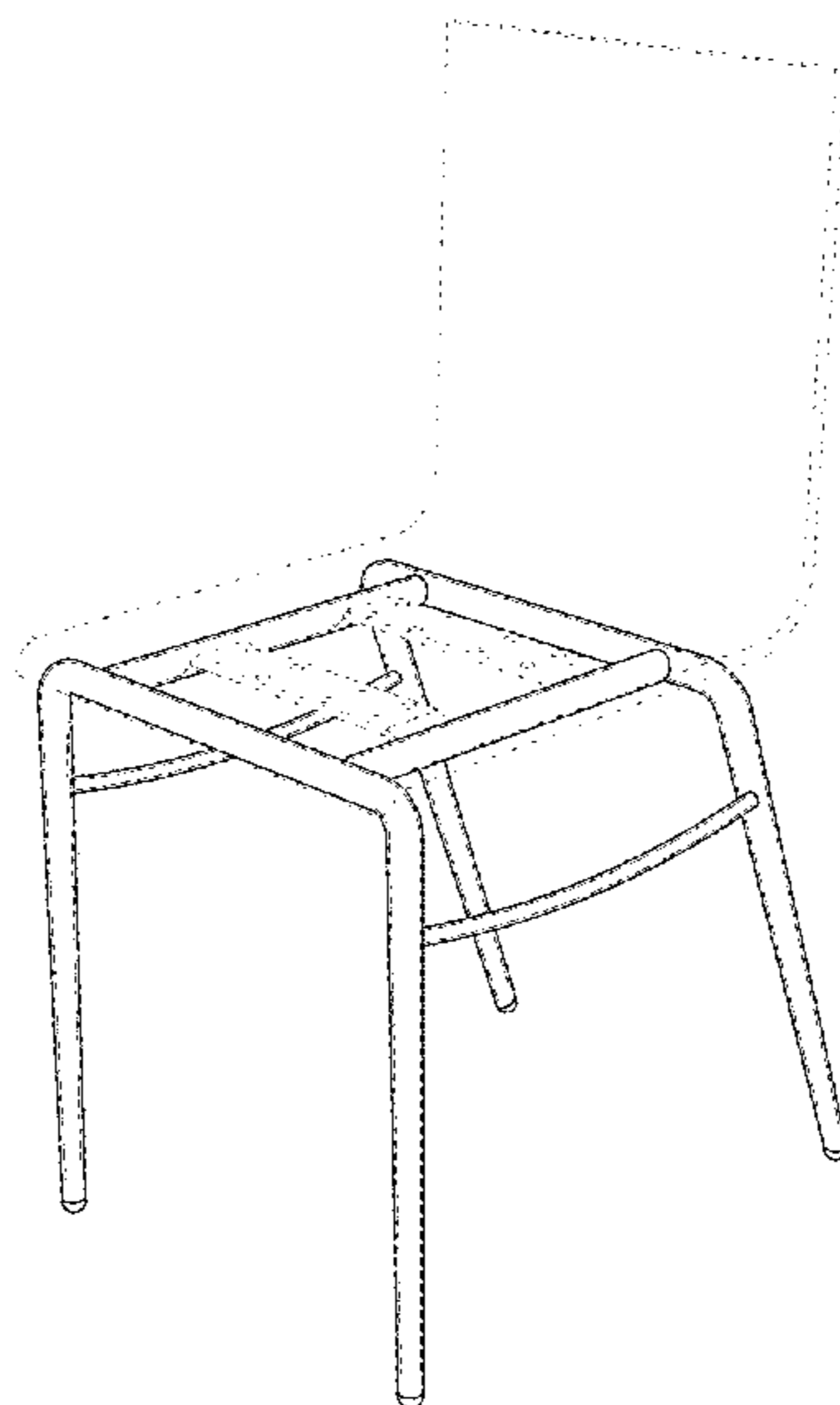
(57) **CLAIM**  
The ornamental design for a chair base, as shown and described.

**DESCRIPTION**

FIG. 1 is a perspective view of a chair base according to the present invention.  
FIG. 2 is a side view of the chair base of the present invention, with the opposite side being a mirror image thereof.  
FIG. 3 is a front view of the chair base of the present invention.  
FIG. 4 is a rear view of the chair base of the present invention.  
FIG. 5 is a top view of the chair base of the present invention; and,  
FIG. 6 is a bottom view of the chair base of the present invention.  
The broken lines shown in the Figures are for environmental purposes only, and form no part of the claimed design.

**1 Claim, 6 Drawing Sheets**

- (56) **References Cited**  
U.S. PATENT DOCUMENTS
- 2,539,919 A \* 1/1951 Meek, Jr. et al. .... A47C 4/02
- 2,643,706 A \* 6/1953 Brown ..... A47C 4/03
- D180,203 S \* 4/1957 Shone ..... D6/708.16
- 3,057,661 A \* 10/1962 Moxley ..... A47C 7/42
- 3,146,028 A \* 8/1964 Grosfillex ..... A47C 3/12
- D234,479 S \* 3/1975 Grosfillex ..... D6/376
- D234,480 S \* 3/1975 Grosfillex ..... D6/376
- 4,105,250 A \* 8/1978 Caldwell ..... A47C 4/03
- D286,826 S 11/1986 Colby
- D319,930 S 9/1991 Glendinning
- D333,750 S 3/1993 Hess



(56)

**References Cited**

U.S. PATENT DOCUMENTS

D589,725 S 4/2009 Adams et al.  
7,621,600 B2 11/2009 Buchbinder  
D618,934 S 7/2010 Adams et al.  
D636,619 S \* 4/2011 Murdock ..... D6/708.16  
D640,067 S 6/2011 Weimer et al.

D645,267 S 9/2011 Aubry et al.  
D646,087 S 10/2011 Miller et al.  
D648,963 S 11/2011 Brodbeck  
D649,804 S \* 12/2011 Keller et al. .... D6/376  
D663,974 S 7/2012 Swy  
D666,015 S \* 8/2012 Morrison ..... D6/360  
D686,833 S \* 7/2013 Chan ..... D6/376  
D687,239 S \* 8/2013 Piretti ..... D6/376

\* cited by examiner

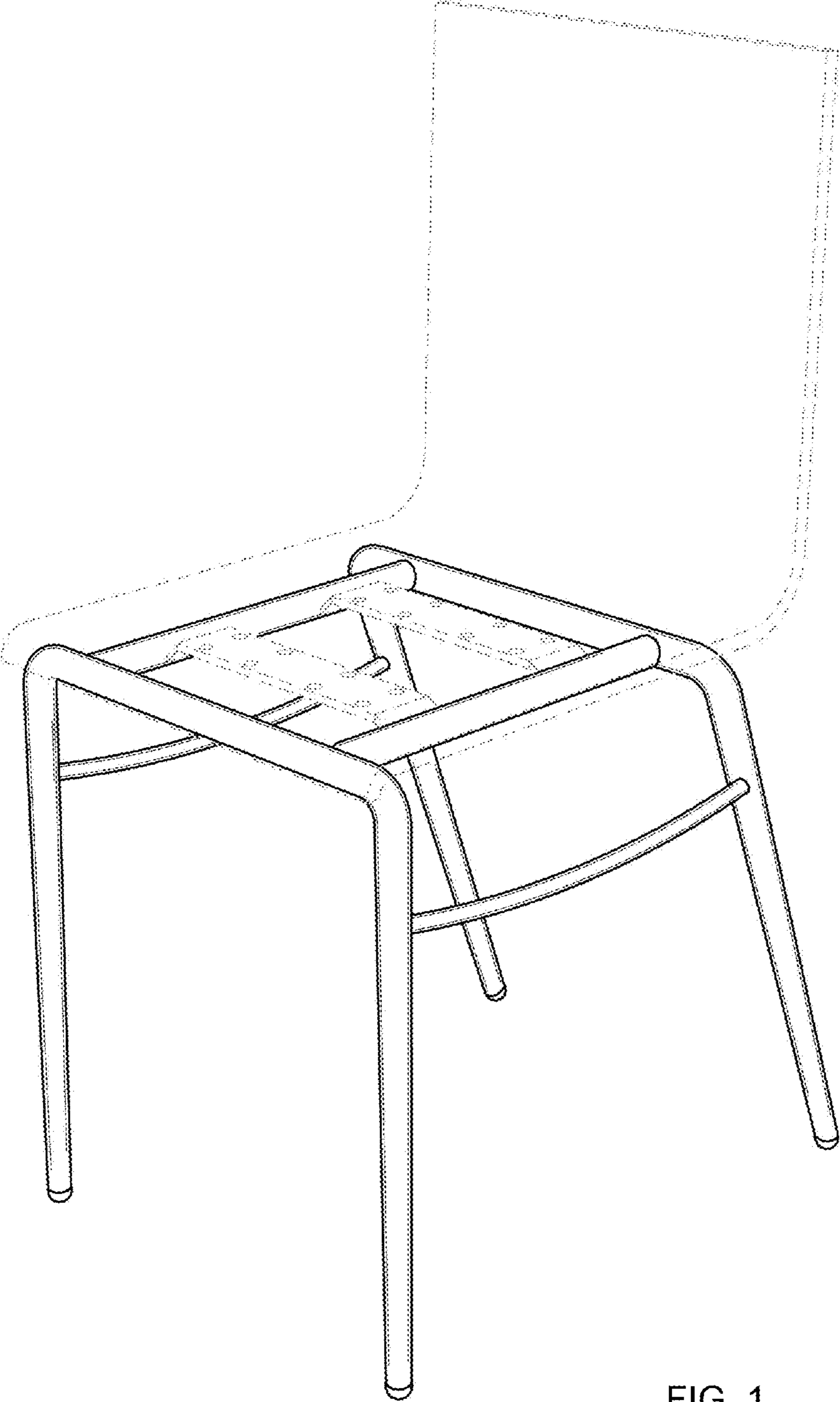


FIG. 1

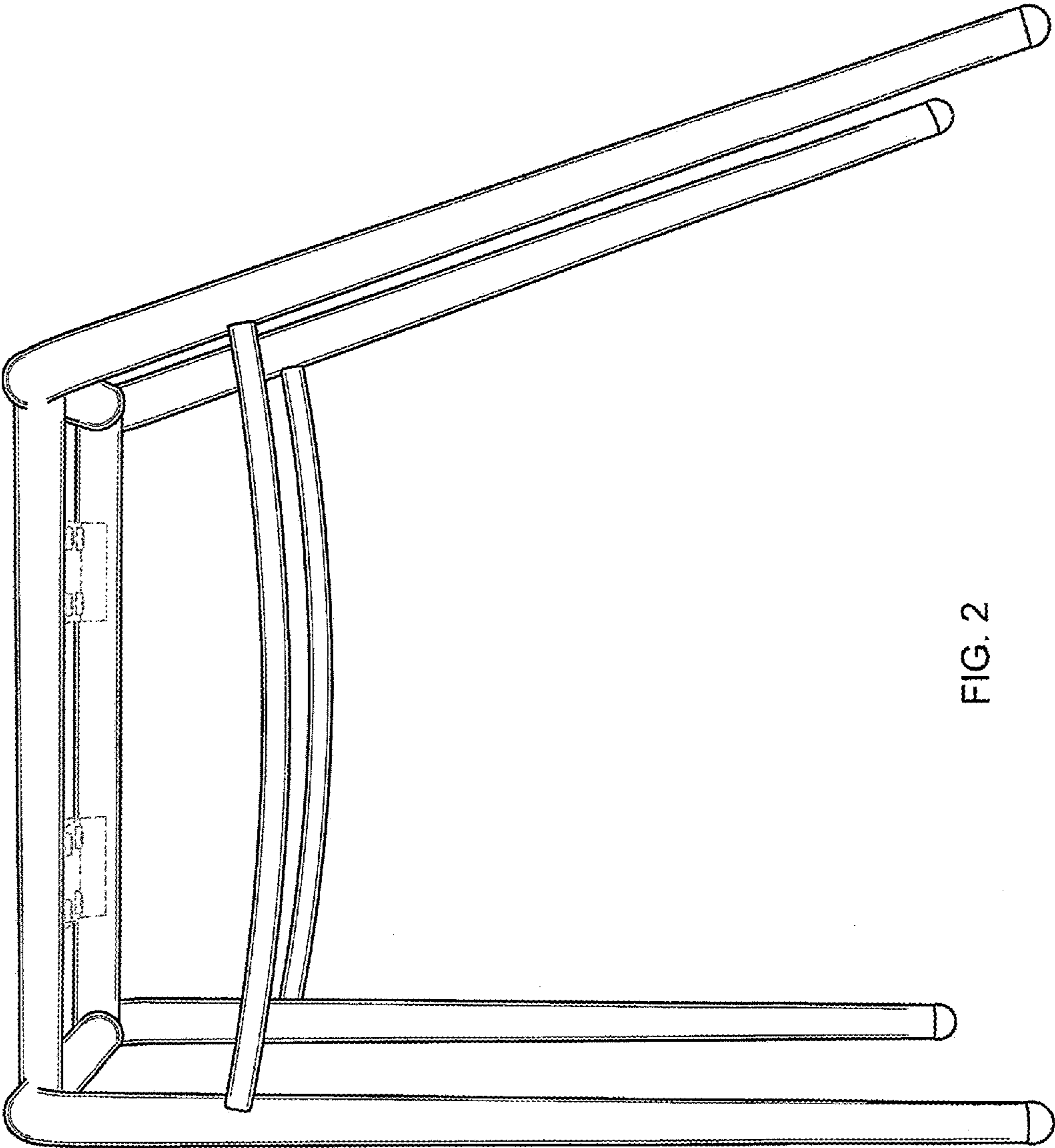


FIG. 2

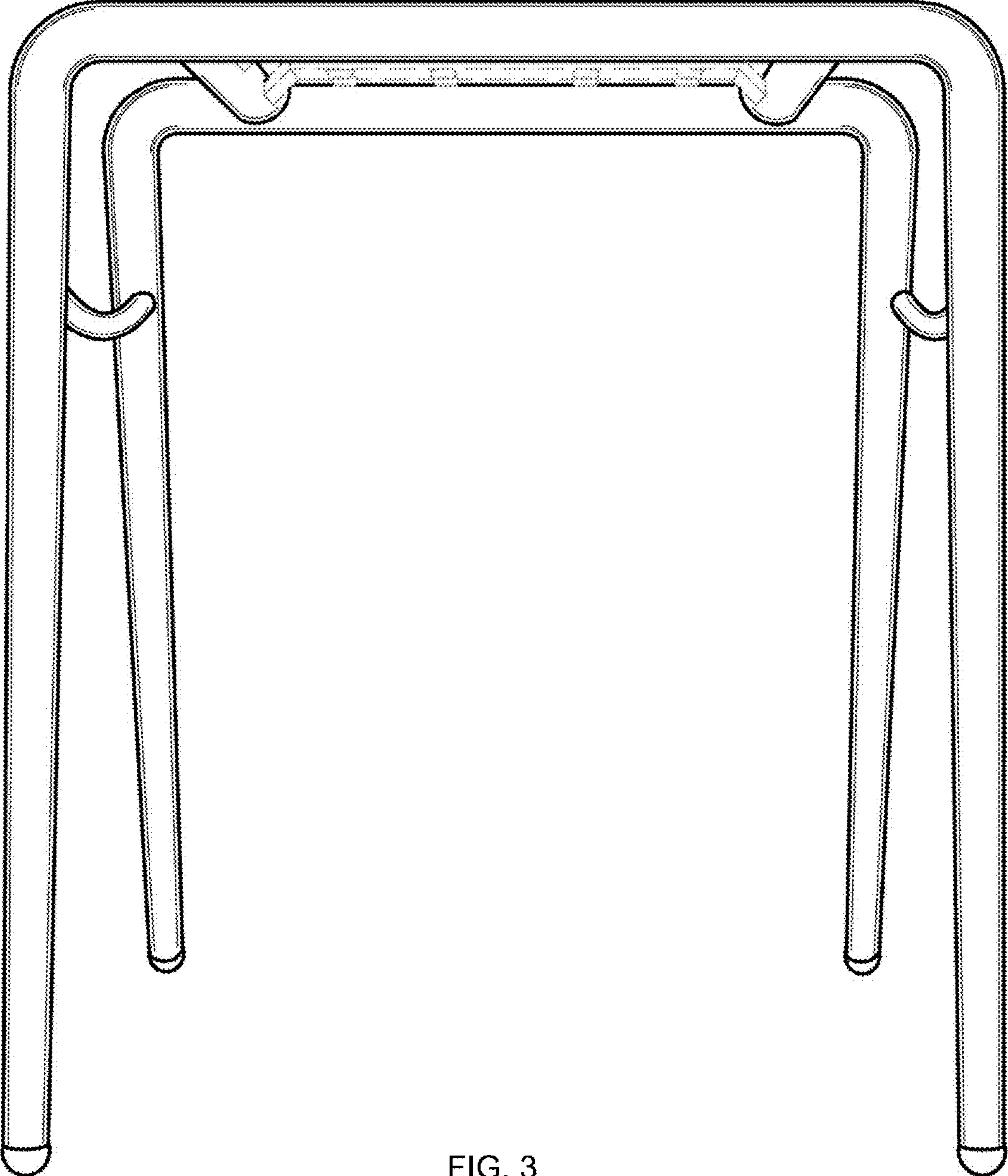


FIG. 3

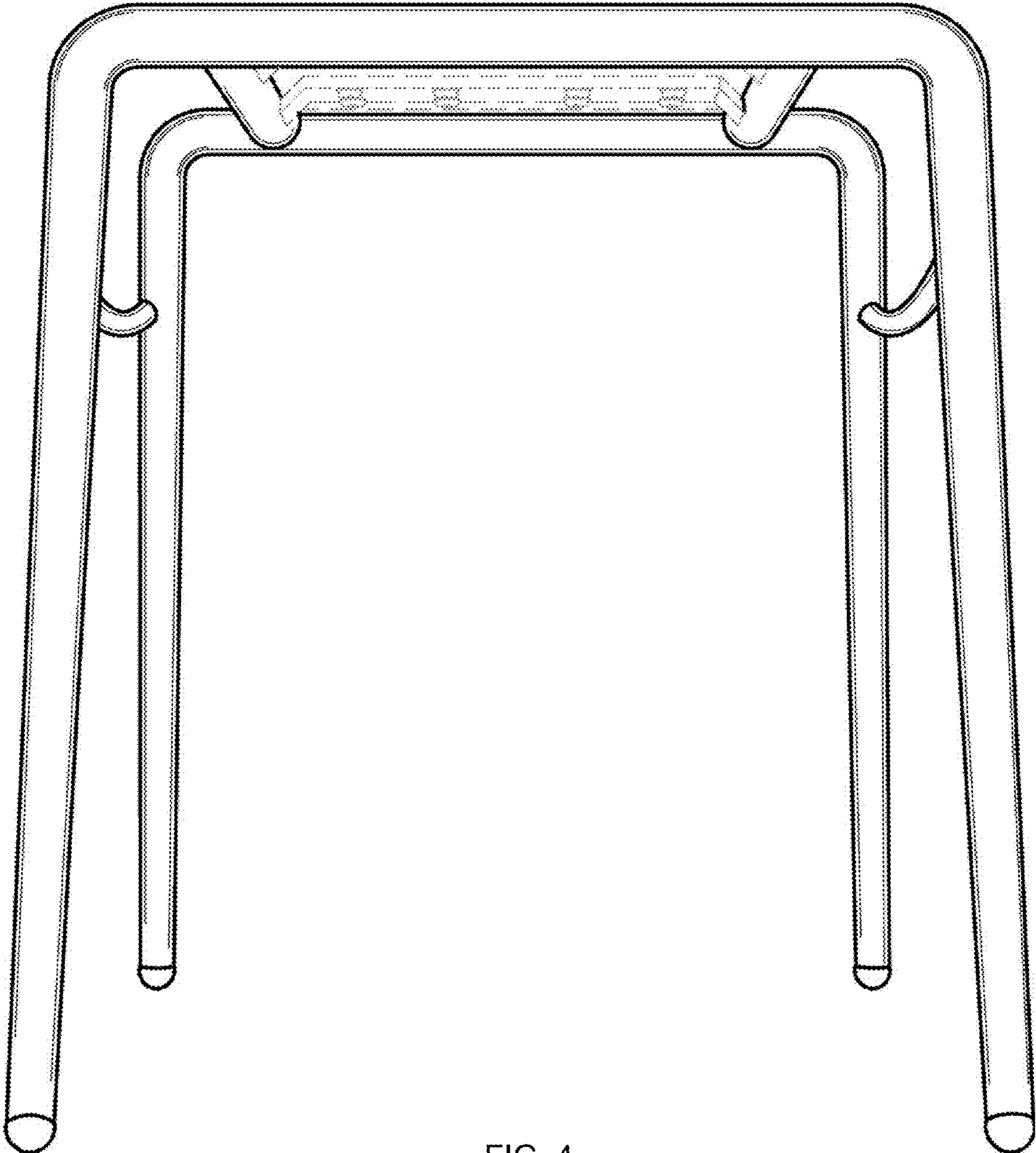


FIG. 4

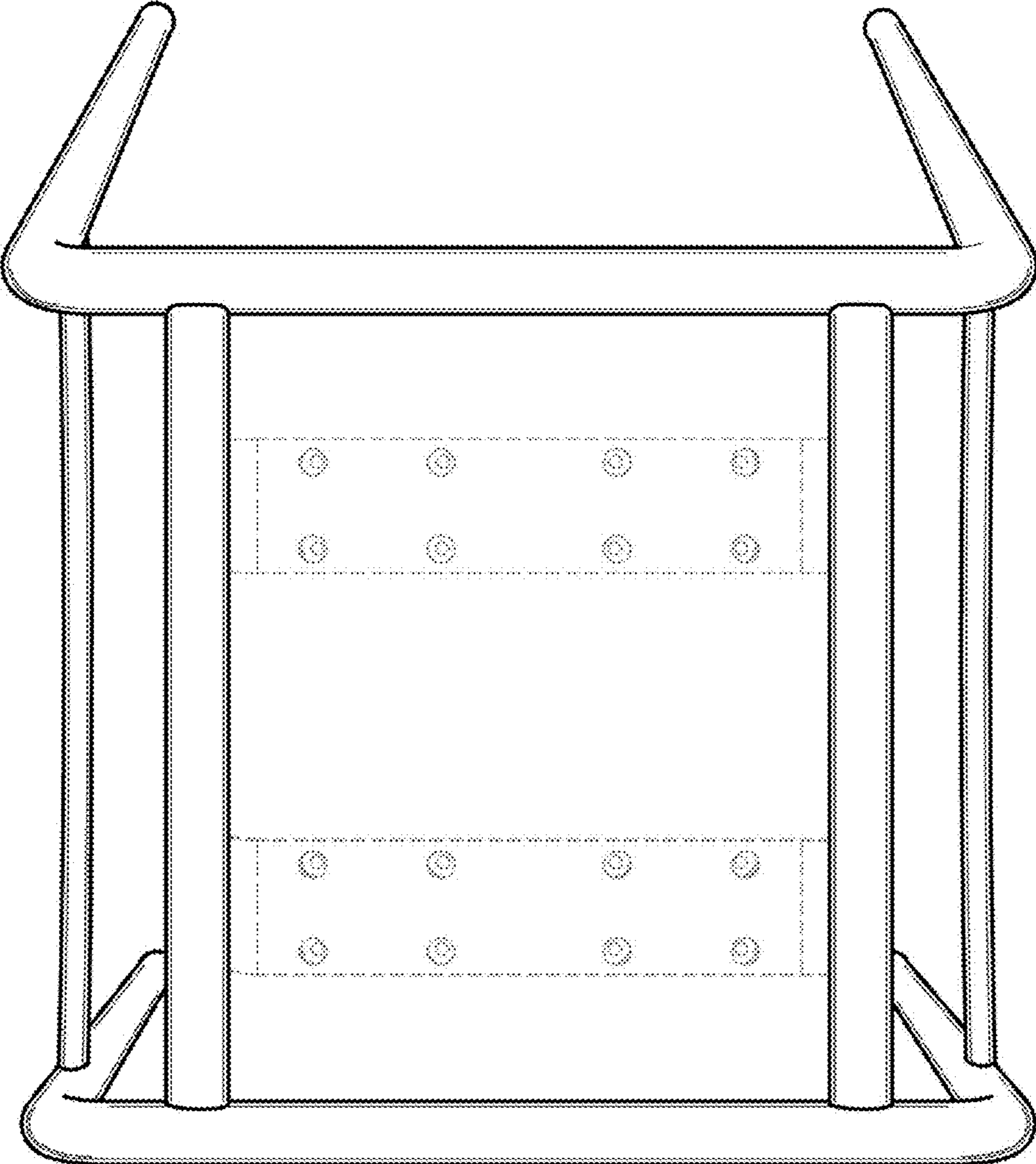


FIG. 5

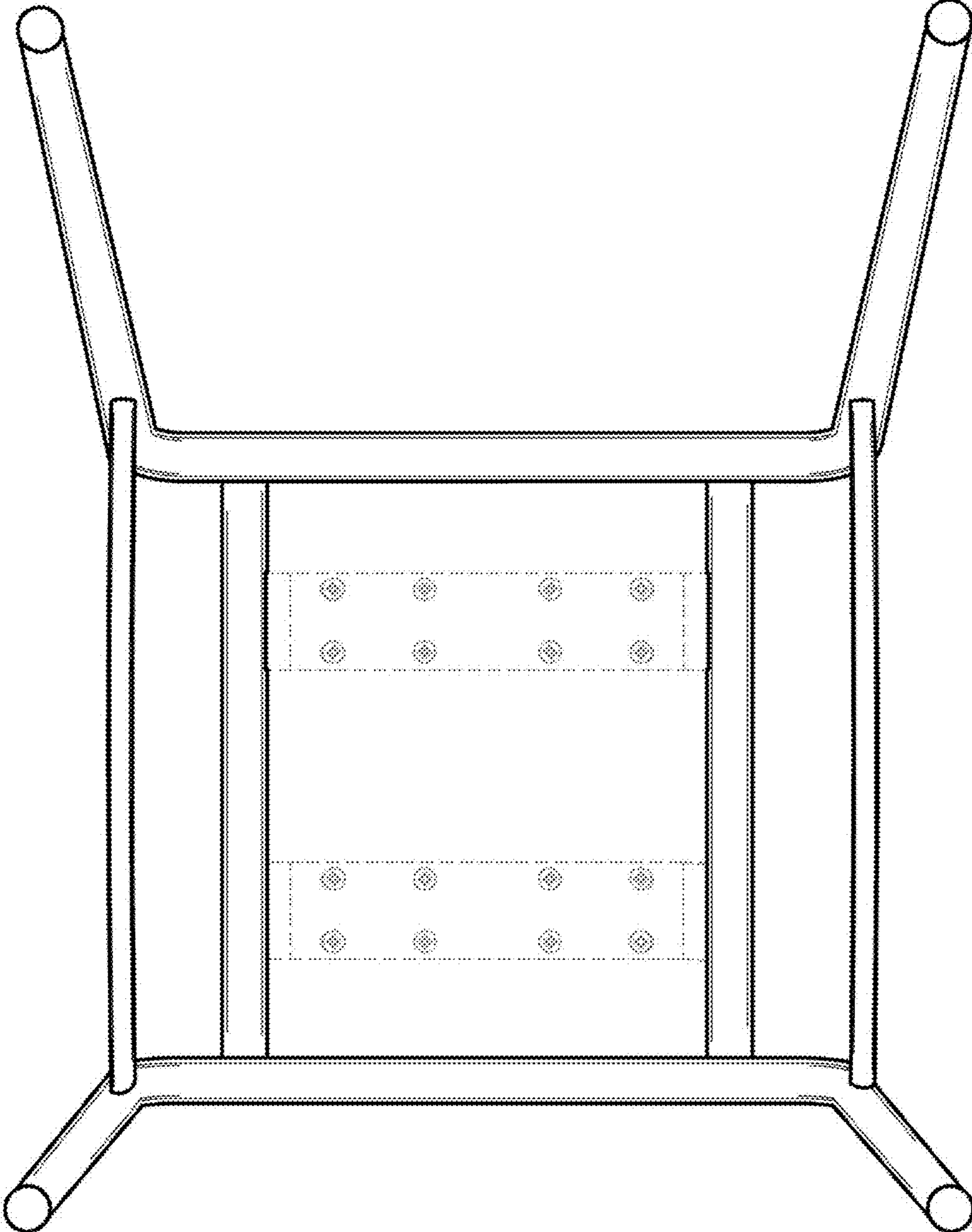


FIG. 6