

US00D720951S

(12) **United States Design Patent**
Hawkins

(10) **Patent No.:** **US D720,951 S**
(45) **Date of Patent:** **** Jan. 13, 2015**

- (54) **DISPLAY HOLDER**
- (71) Applicant: **Target Brands, Inc.**, Minneapolis, MN (US)
- (72) Inventor: **Laura L. Hawkins**, Minneapolis, MN (US)
- (73) Assignee: **Target Brands, Inc.**, Minneapolis, MN (US)
- (**) Term: **14 Years**
- (21) Appl. No.: **29/499,528**

D336,802 S *	6/1993	Eidsmoe et al.	D6/469
5,215,200 A	6/1993	Rosenthal		
5,318,187 A	6/1994	Rosenthal		
D372,374 S *	8/1996	Weterrings	D6/432
5,570,540 A	11/1996	Womack et al.		
5,881,892 A	3/1999	Loo		
6,012,585 A	1/2000	Parker		
D456,911 S	5/2002	Janesky		
D485,452 S	1/2004	Boron et al.		
D507,431 S *	7/2005	Goth	D6/474
7,014,280 B2	3/2006	Borgen et al.		
D518,316 S	4/2006	Gusdorf et al.		
7,020,997 B1	4/2006	Thomas		
D524,577 S	7/2006	Gusdorf et al.		
D540,566 S	4/2007	Scholen et al.		

(Continued)

- (22) Filed: **Aug. 15, 2014**
- (51) **LOC (10) Cl.** **06-06**
- (52) **U.S. Cl.**
USPC **D6/682.2**
- (58) **Field of Classification Search**
USPC D6/396-397, 449, 466-469, 556-558,
D6/682.2; D19/79-80, 81-83;
D3/304-305, 313-316; 211/59.3, 14,
211/71.1, 85.2, 85.48, 85.23; 221/27-29
See application file for complete search history.

FOREIGN PATENT DOCUMENTS

DE	29801530	4/1998
GB	1386866	3/1975
GB	2183392	6/1987

Primary Examiner — Kelley Donnelly

(74) *Attorney, Agent, or Firm* — Leanne Taveggia Farrell; Westman, Champlin & Koehler, P.A.

(57) **CLAIM**

The ornamental design for a display holder, as shown and described.

(56) **References Cited**

U.S. PATENT DOCUMENTS

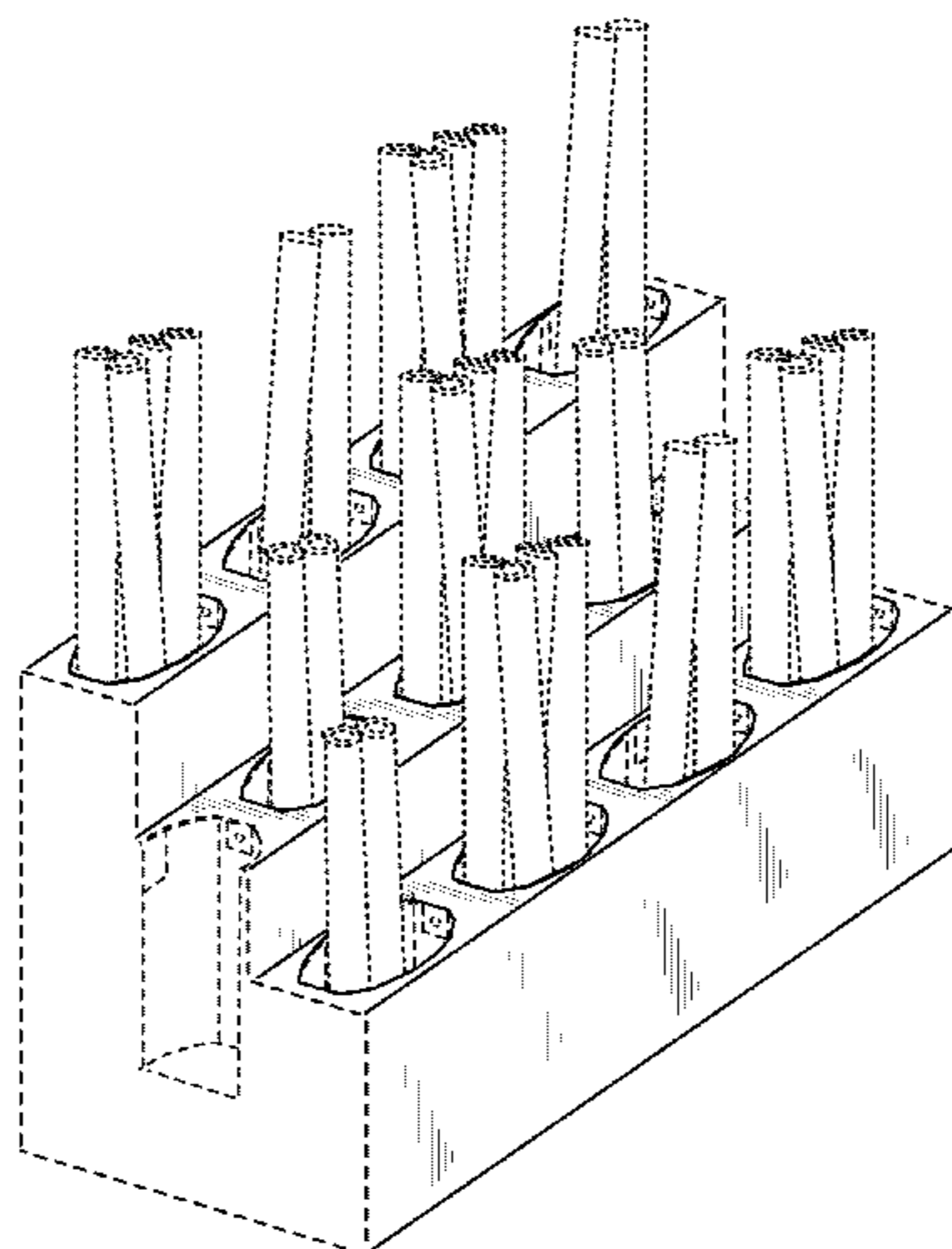
491,786 A	2/1893	Schurig et al.		
D28,203 S *	1/1898	Shelverton	D18/56
731,710 A	6/1903	Renken		
1,474,753 A	11/1923	Zrebiec		
1,970,370 A	8/1934	Foser		
2,688,408 A	9/1954	Binggely		
3,711,048 A	1/1973	Thalenfeld		
4,026,220 A	5/1977	Schuring, Jr.		
D250,441 S *	12/1978	Richman et al.	D6/468
4,325,597 A *	4/1982	Morrison	312/258
D283,164 S *	3/1986	Pandya	D24/230
4,608,776 A	9/1986	Kooy		
D296,630 S	7/1988	Renold et al.		
4,828,209 A	5/1989	Niemi		
D304,554 S	11/1989	Dinerman		

DESCRIPTION

FIG. 1 is a perspective view of a display holder with environment showing my new design;
FIG. 2 is a perspective view thereof;
FIG. 3 is a front view thereof;
FIG. 4 is a top view thereof; and,
FIG. 5 is a section view thereof taken through the line indicated in FIG. 4.

The broken lines shown in the drawings are included for purposes of illustrating environment or portions of the display holder and form no part of the claimed design.

1 Claim, 4 Drawing Sheets



(56)

References Cited

U.S. PATENT DOCUMENTS

D543,383 S	5/2007	Edison et al.	
D555,936 S *	11/2007	King	D6/469
D574,434 S	8/2008	Siegel	
D603,181 S	11/2009	Carlington	
7,665,618 B2	2/2010	Jay et al.	
D618,280 S	6/2010	Siegel	
D622,077 S	8/2010	Nash	
D624,334 S *	9/2010	Linder	D6/476
7,810,291 B2	10/2010	McPherson	
7,815,059 B2	10/2010	Mulholland et al.	
D626,764 S	11/2010	Harris et al.	
D633,731 S	3/2011	Pohl	
D634,565 S	3/2011	Goldberg	
D642,582 S *	8/2011	Largy	D14/447
D665,196 S	8/2012	Plikat et al.	
D669,528 S *	10/2012	Strain	D19/35
8,292,097 B2	10/2012	Goldberg	
D673,392 S	1/2013	Noppe	
D676,685 S *	2/2013	Dobelbower	D6/680.1
D680,353 S	4/2013	Hawkins	
D699,989 S *	2/2014	Plikat et al.	D6/682.4
D700,936 S *	3/2014	Parker	D19/85
2004/0115373 A1	6/2004	Dancer et al.	
2004/0115595 A1	6/2004	Dancer et al.	
2005/0150849 A1	7/2005	Campellone et al.	
2006/0043038 A1	3/2006	Wetzel et al.	
2009/0077876 A1	3/2009	Eghbal et al.	

* cited by examiner

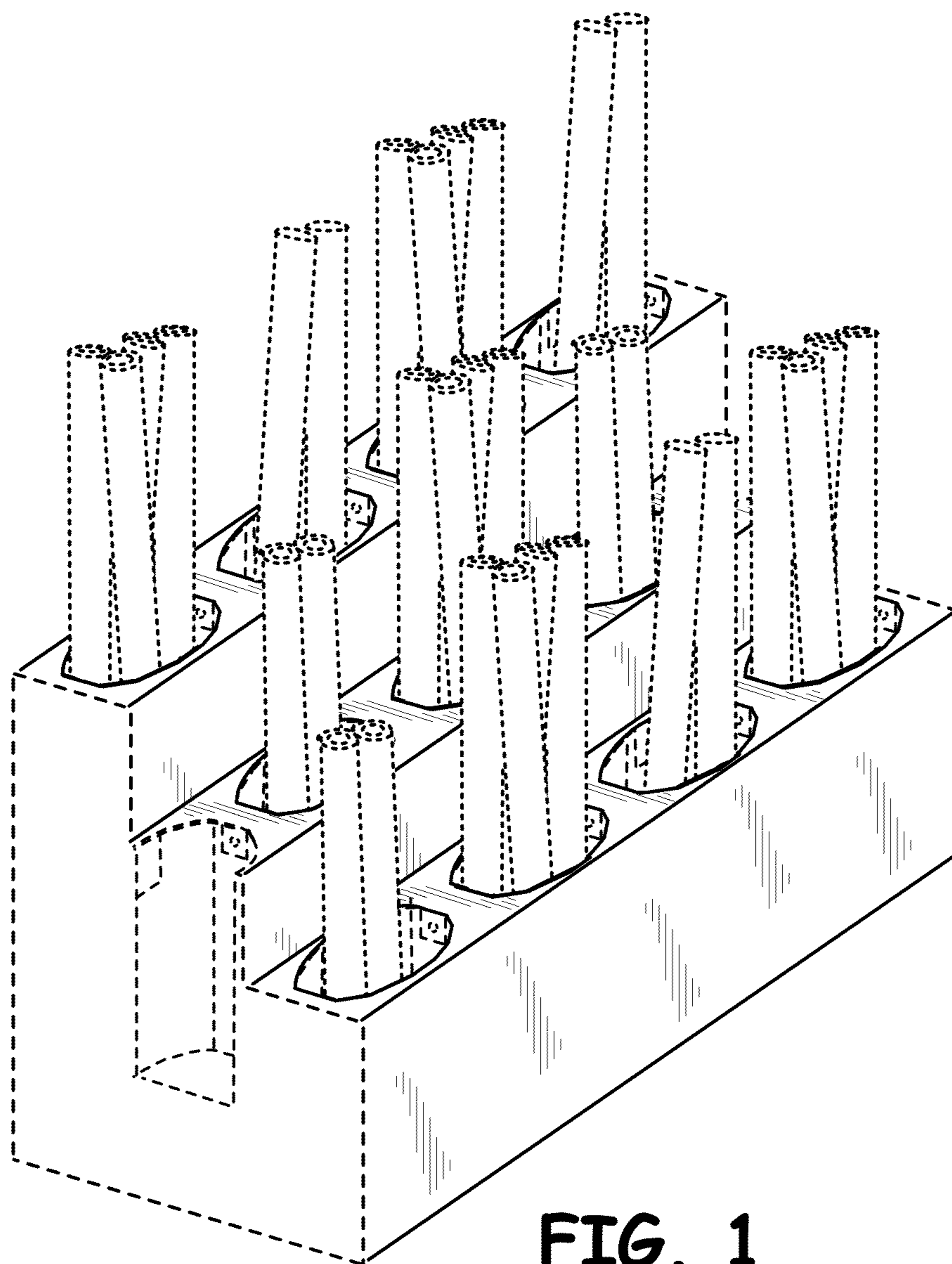


FIG. 1

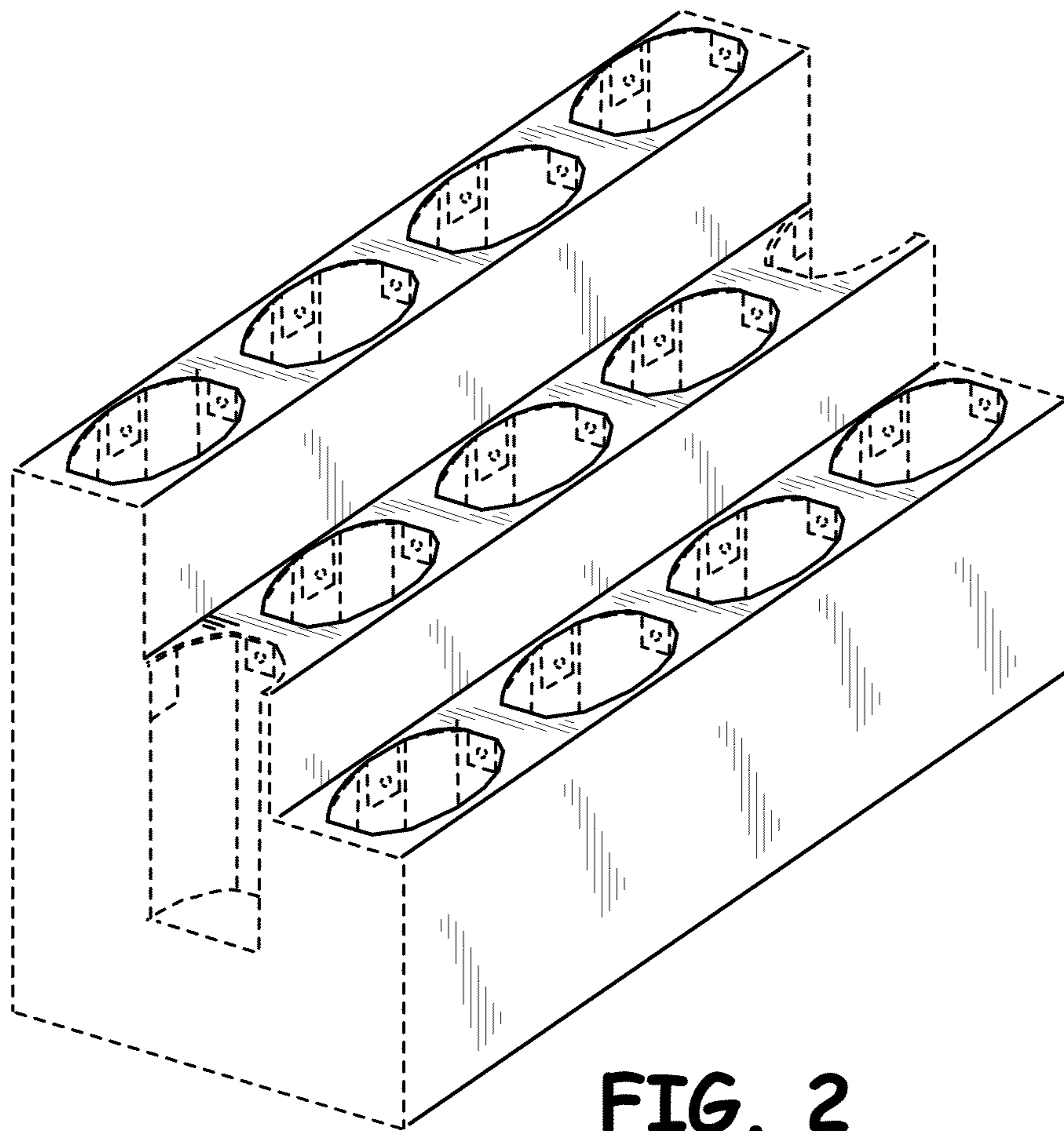


FIG. 2

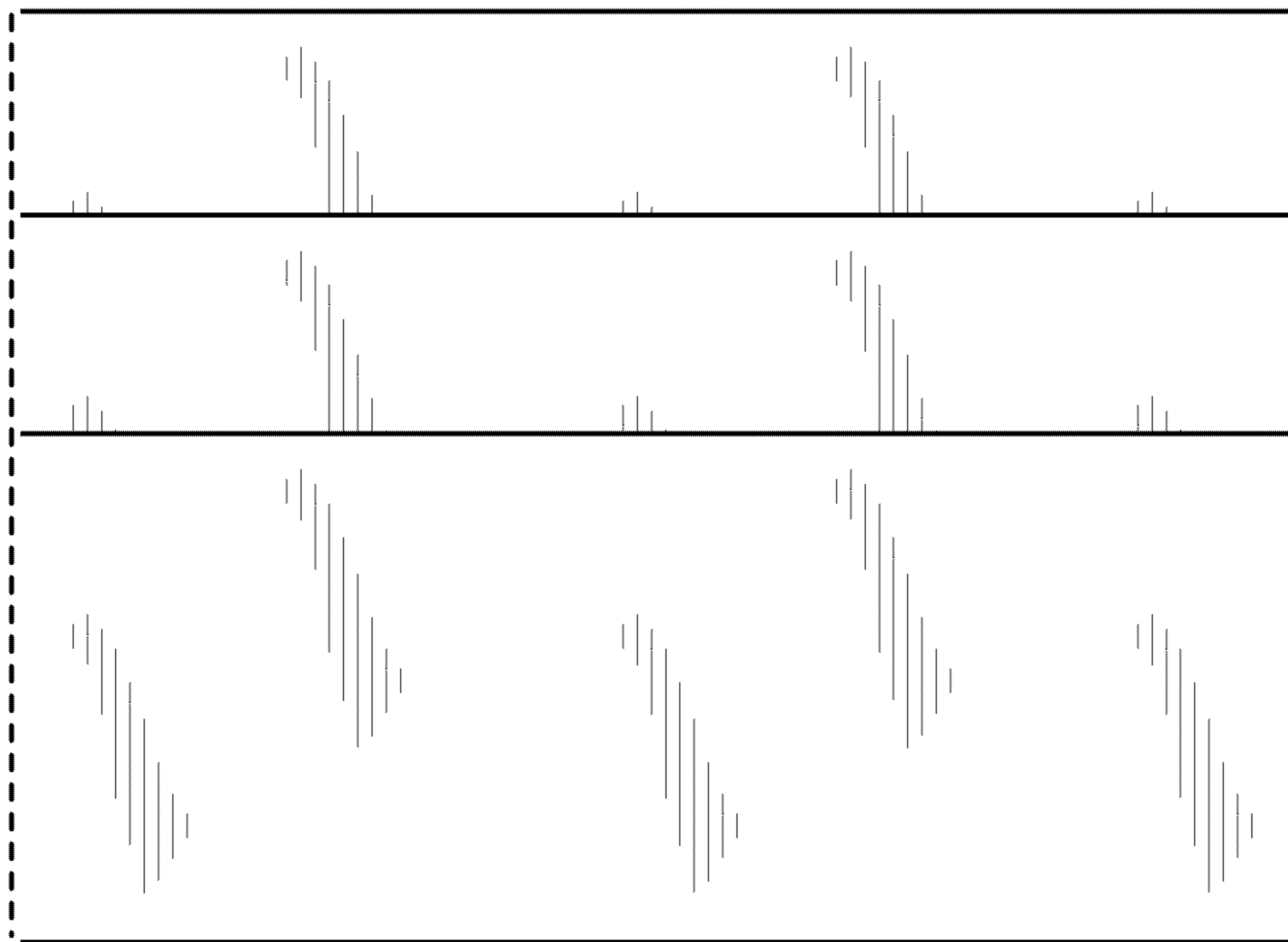


FIG. 3

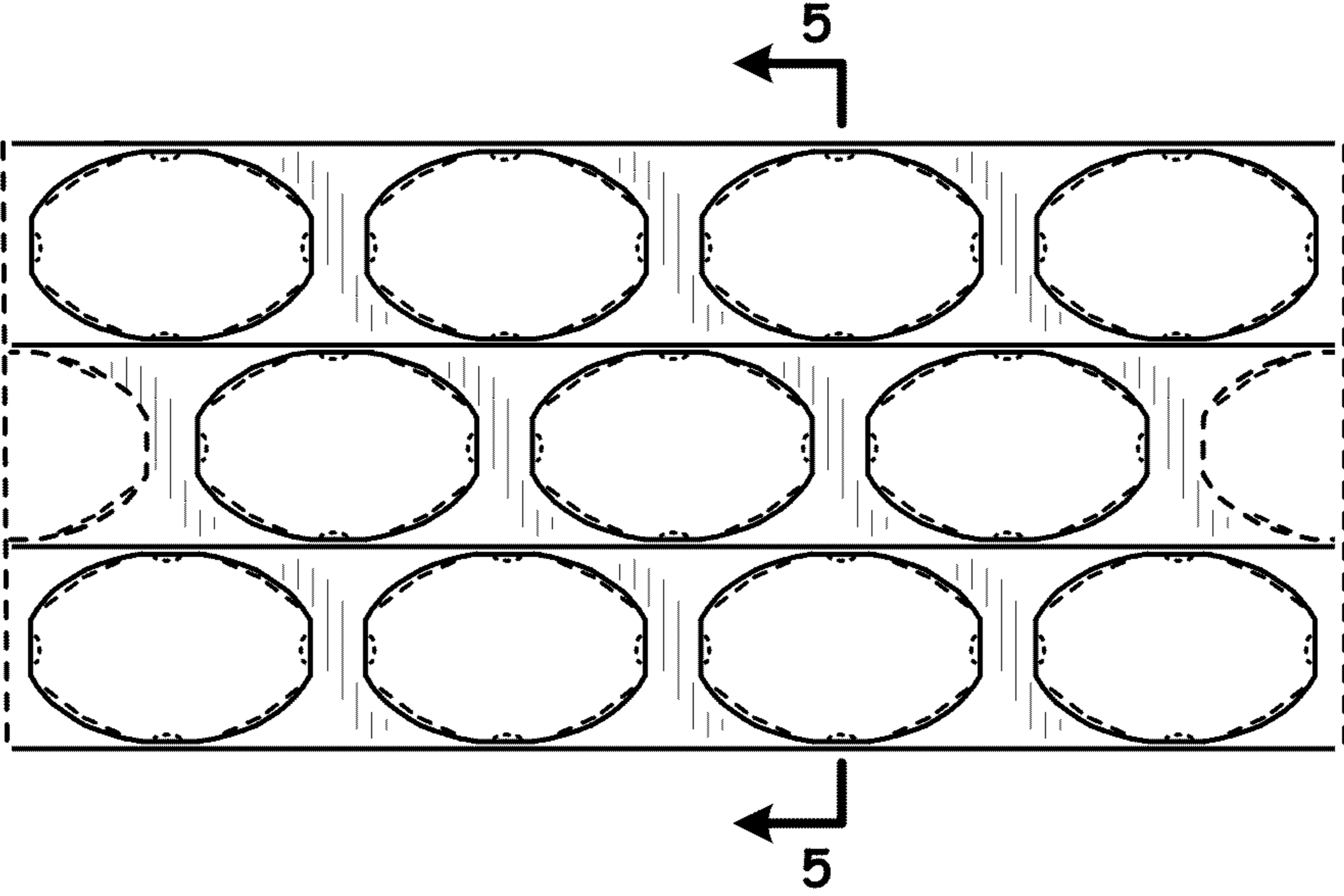


FIG. 4

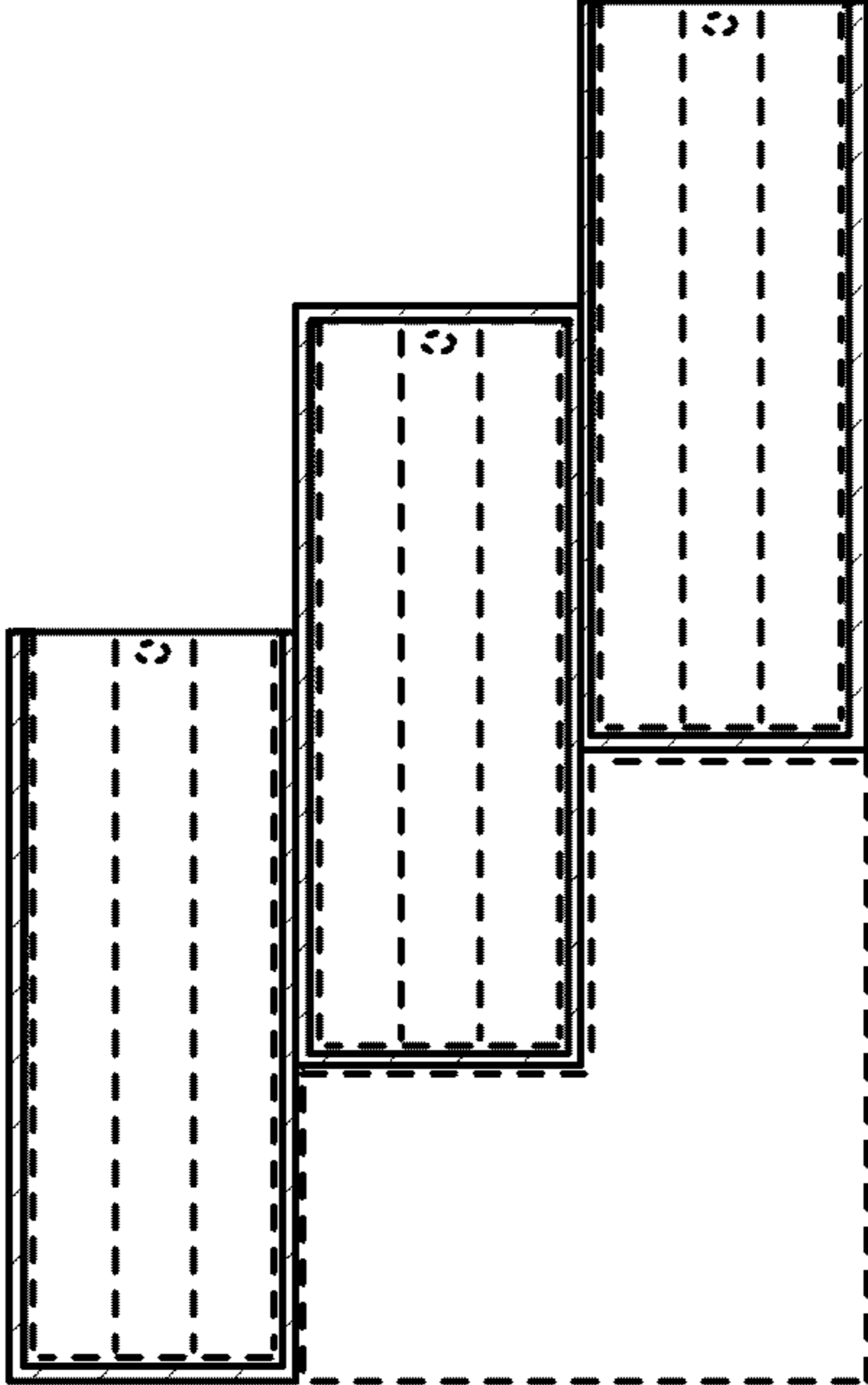


FIG. 5