

US00D720947S

(12) **United States Design Patent**  
**Meyer**

(10) **Patent No.:** **US D720,947 S**  
(45) **Date of Patent:** **\*\* Jan. 13, 2015**

- (54) **WALL PLANTING MODULE**
- (71) Applicant: **Molly Meyer, LLC**, Chicago, IL (US)
- (72) Inventor: **Molly Meyer**, Chicago, IL (US)
- (73) Assignee: **Molly Meyer, LLC**, Chicago, IL (US)
- (\*\*) Term: **14 Years**
- (21) Appl. No.: **29/453,929**
- (22) Filed: **May 3, 2013**
- (51) **LOC (10) Cl.** ..... **11-02**
- (52) **U.S. Cl.**  
USPC ..... **D6/558**
- (58) **Field of Classification Search**  
USPC ..... D6/558, 569, 570, 571, 574; 47/82, 83,  
47/66.6  
See application file for complete search history.

8,141,294	B2	3/2012	Birbach et al.
8,281,517	B2	10/2012	MacKenzie
2008/0110086	A1	5/2008	Julia
2009/0223126	A1	9/2009	Garner et al.
2010/0095584	A1	4/2010	Huet et al.
2010/0146855	A1	6/2010	Ma
2011/0107667	A1	5/2011	Laurence et al.
2011/0215937	A1	9/2011	Carroll et al.
2012/0017506	A1	1/2012	Zhao et al.
2012/0066972	A1	3/2012	Lin
2012/0227320	A1	9/2012	Dos Santos

\* cited by examiner

*Primary Examiner* — Doris Clark  
(74) *Attorney, Agent, or Firm* — Woodard, Emhardt, Moriarty, McNett & Henry LLP

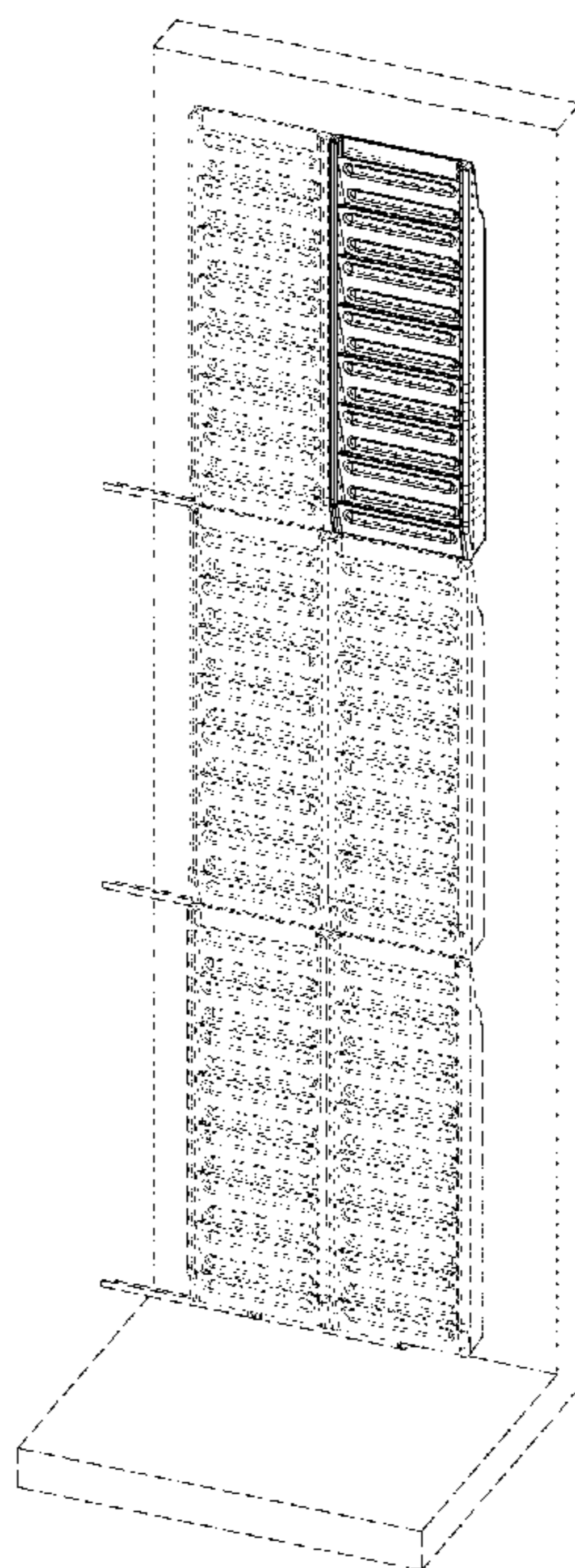
(57) **CLAIM**  
The ornamental design for a wall planting module, as shown and described.

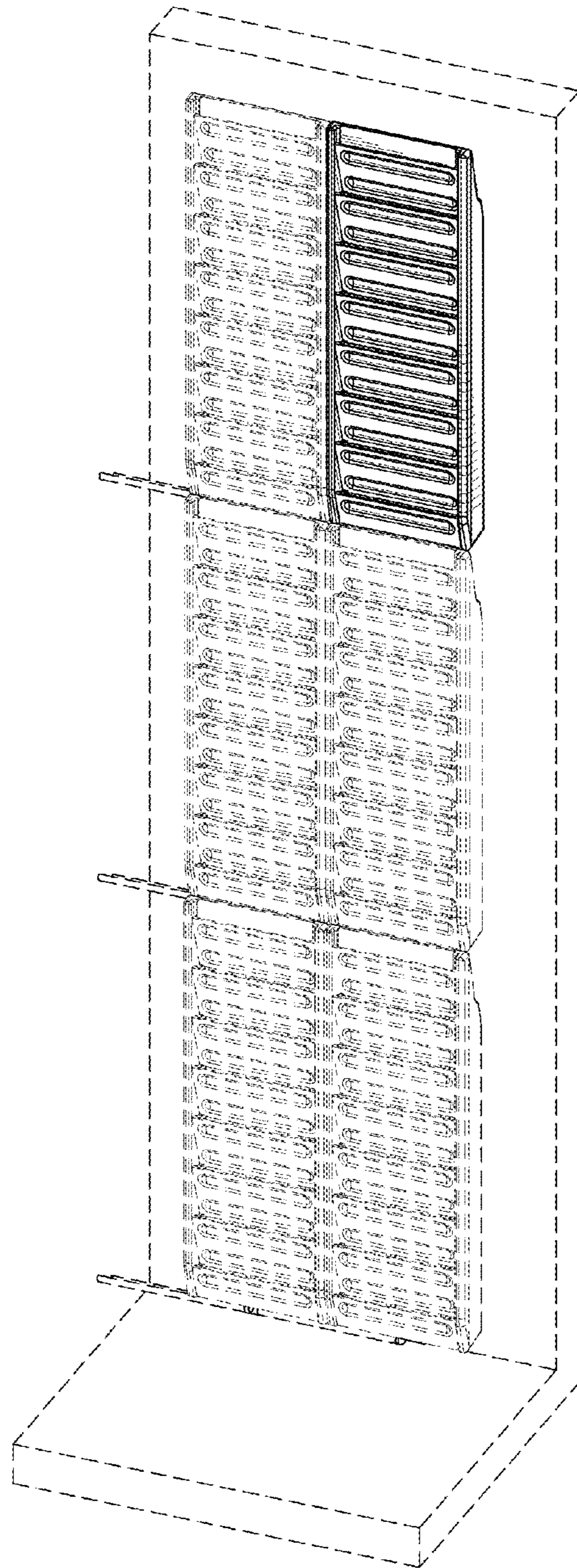
**DESCRIPTION**

FIG. 1 is a front view of the wall planting module.  
FIG. 2 is a perspective view of the wall planting module.  
FIG. 3 is a front view of the wall planting module.  
FIG. 4 is a right view of the wall planting module, the left view is symmetric.  
FIG. 5 is a rear view of the wall planting module.  
FIG. 6 is a top view of the wall planting module; and,  
FIG. 7 is a bottom view of the wall planting module.  
The broken line portions illustrate an example environment in which the wall planting module is used, for example on a wall with other modules and irrigation pipes. The broken line portions are not part of the claim.

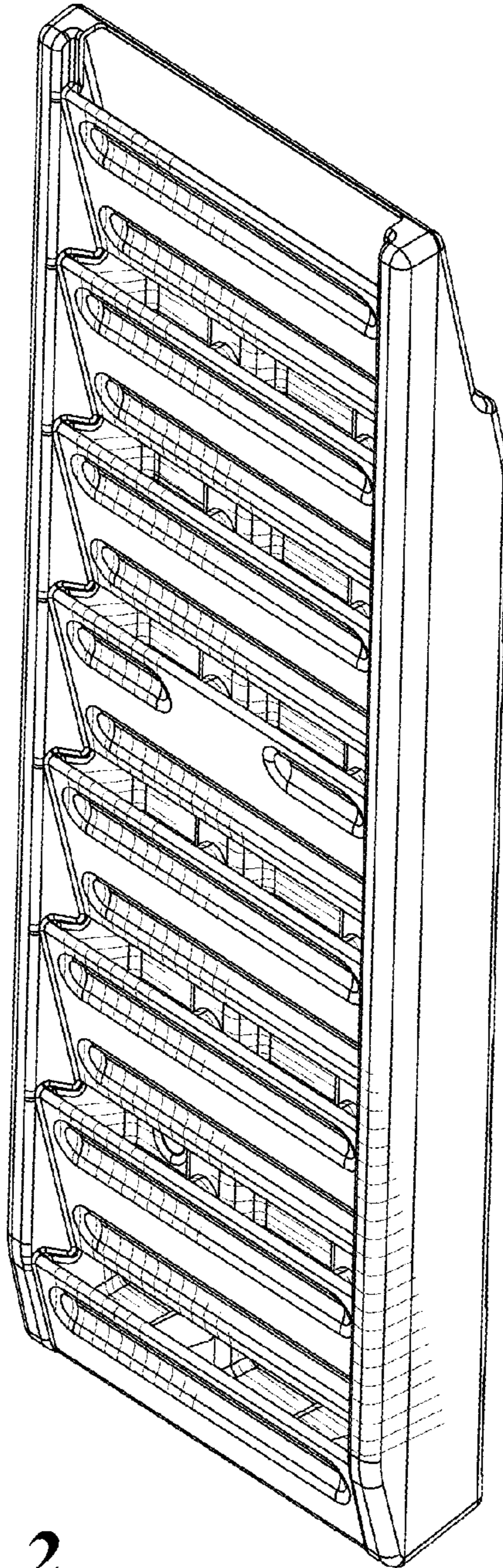
- (56) **References Cited**  
U.S. PATENT DOCUMENTS
- 3,772,827 A 11/1973 Ware
- 4,268,994 A 5/1981 Urai
- 4,295,296 A 10/1981 Kinghorn
- D261,744 S \* 11/1981 Boyajian ..... D6/558
- 4,419,843 A 12/1983 Johnson, Sr.
- 4,869,019 A 9/1989 Ehrlich
- 5,826,375 A 10/1998 Black
- 6,634,138 B2 10/2003 Katzman
- 6,725,601 B2 4/2004 Chick
- D526,512 S \* 8/2006 Hahn ..... D6/476
- 7,559,173 B2 \* 7/2009 Brusatore ..... 47/82
- 7,832,144 B2 11/2010 Corradi
- 7,921,599 B2 4/2011 Irwin
- 7,926,224 B1 4/2011 Koumoudis

**1 Claim, 5 Drawing Sheets**

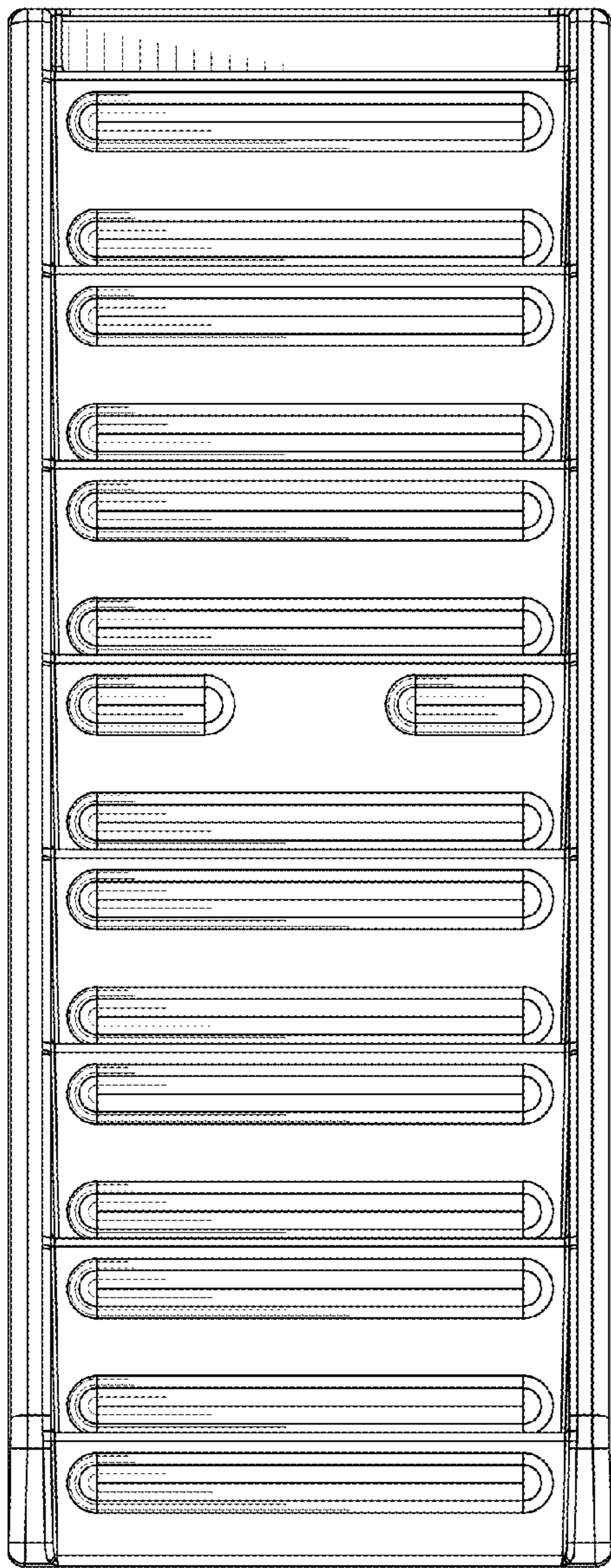




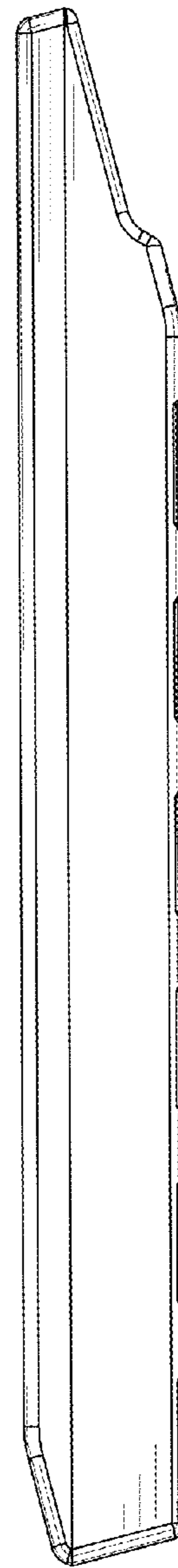
**Fig. 1**



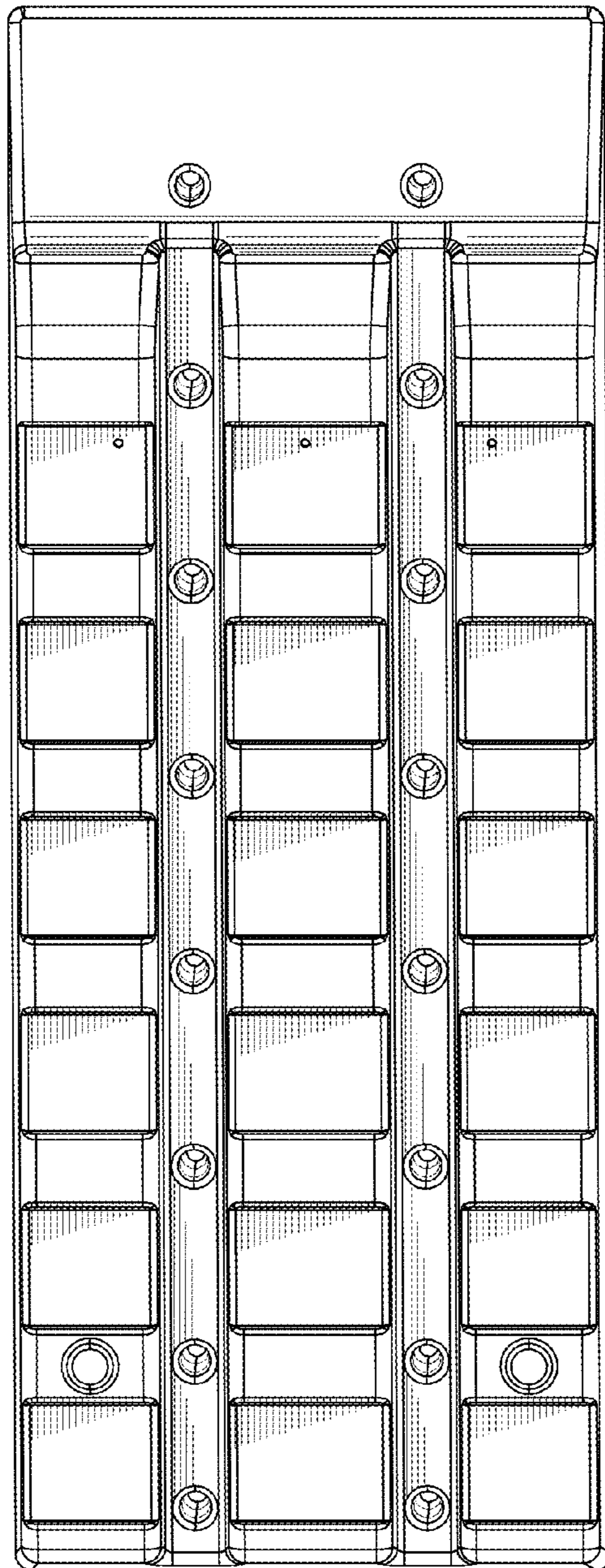
**Fig. 2**



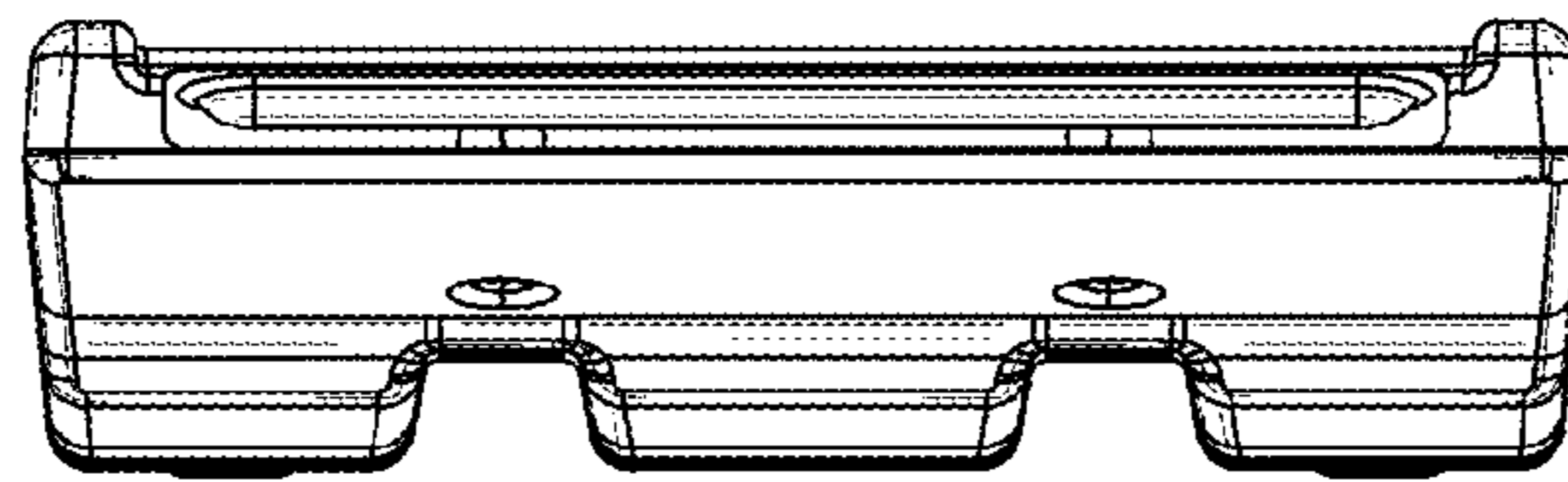
**Fig. 3**



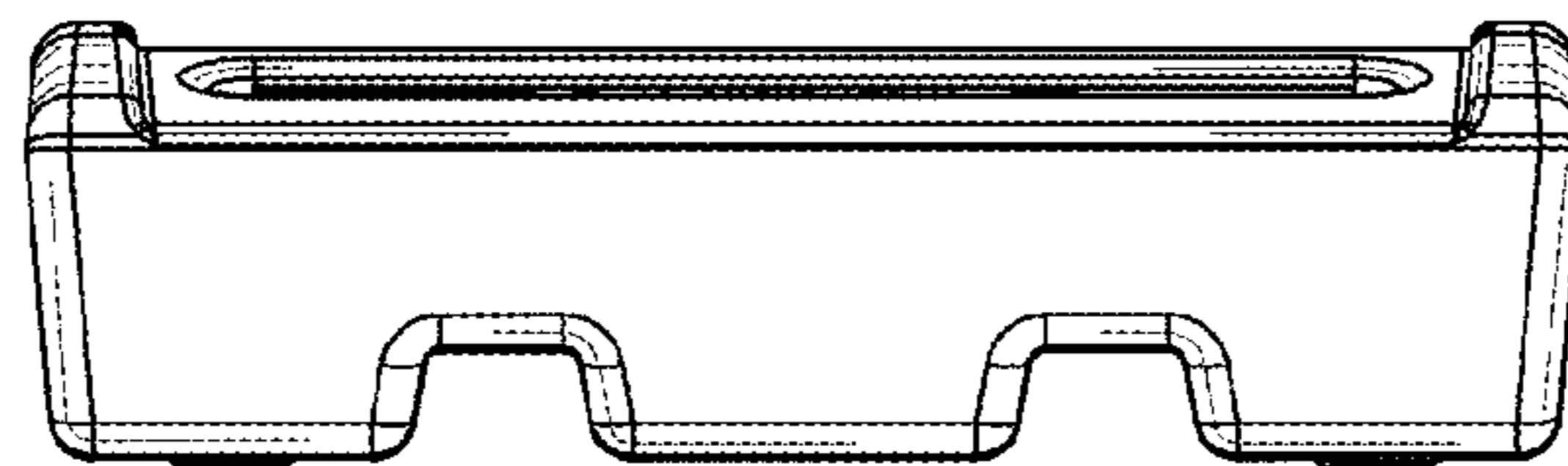
**Fig. 4**



**Fig. 5**



**Fig. 6**



**Fig. 7**