



US00D720946S

(12) **United States Design Patent**
Fritz

(10) **Patent No.:** **US D720,946 S**

(45) **Date of Patent:** **** Jan. 13, 2015**

(54) **ACCESSORY POST**

(71) Applicant: **Masco Corporation of Indiana,**
Indianapolis, IN (US)

(72) Inventor: **Seth Fritz,** Carmel, IN (US)

(73) Assignee: **Masco Corporation of Indiana,**
Indianapolis, IN (US)

(**) Term: **14 Years**

(21) Appl. No.: **29/484,210**

(22) Filed: **Mar. 7, 2014**

(51) **LOC (10) Cl.** **23-02**

(52) **U.S. Cl.**
USPC **D6/524; D6/550**

(58) **Field of Classification Search**
USPC D6/518–524, 546–550; D8/300, 370,
D8/315; 108/28–29; 211/13.1, 16, 85.5,
211/86.01, 87.01, 88.04, 100, 105.1, 105.2,
211/106, 113, 123, 181.1, 182–183;
248/49, 175, 176.1, 200, 201, 205.1,
248/251, 302, 309.1, 315; 242/570, 590,
242/595–598

See application file for complete search history.

(56) **References Cited**

U.S. PATENT DOCUMENTS

D478,754 S *	8/2003	Moore	D6/524
D497,752 S *	11/2004	Roberts et al.	D6/524
D600,479 S *	9/2009	Gao	D6/524
D606,790 S *	12/2009	Yoo	D6/524
D633,737 S *	3/2011	Gilbert	D6/524
D666,039 S *	8/2012	Sedwick	D6/524
D699,472 S *	2/2014	Wu	D6/524

* cited by examiner

Primary Examiner — Brian N Vinson

(74) *Attorney, Agent, or Firm* — Edgar A. Zarins; Nirav D. Parikh

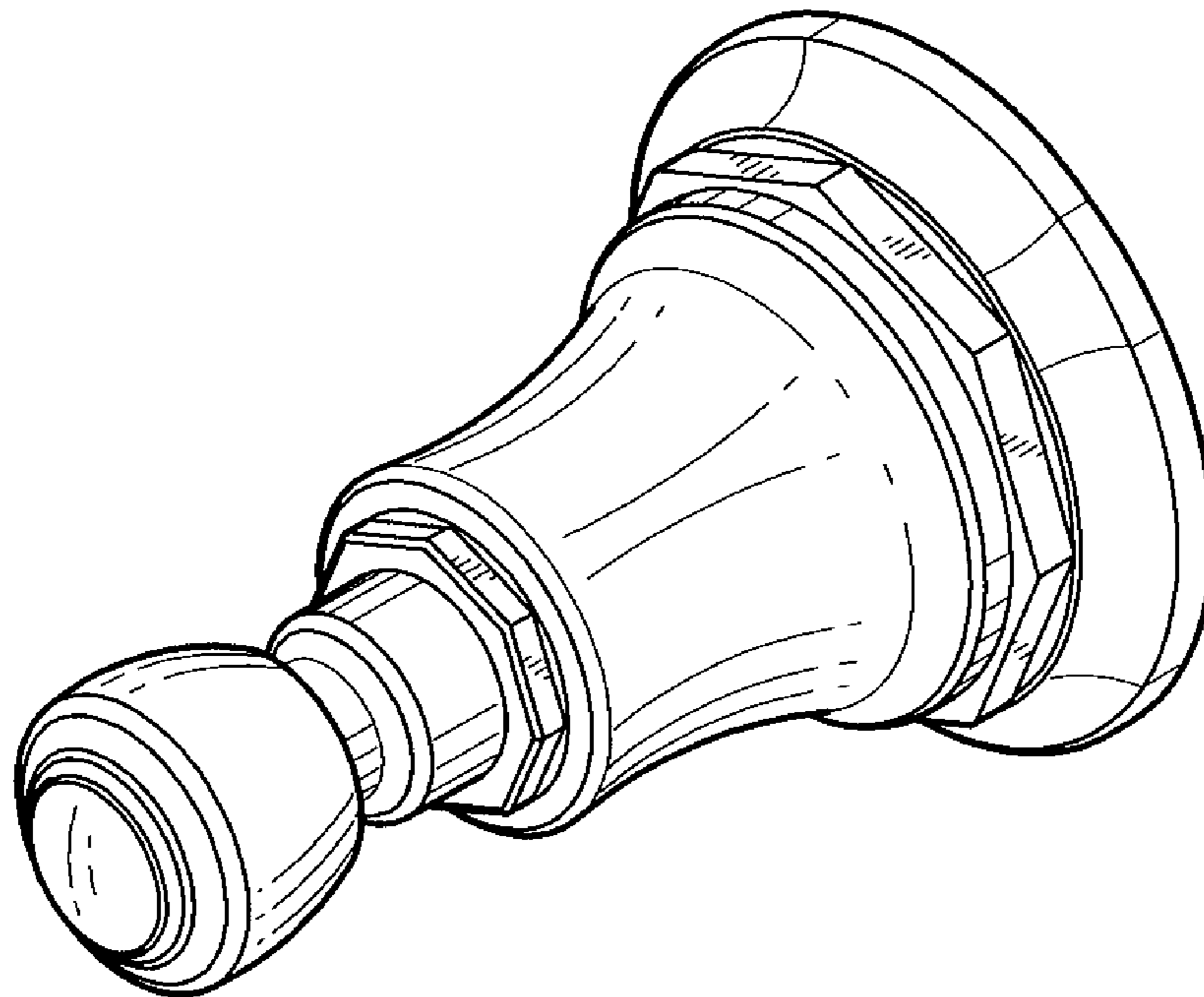
(57) **CLAIM**

The ornamental design for an accessory post, as shown and described.

DESCRIPTION

FIG. 1 is a perspective view of an accessory post showing my new design;
FIG. 2 is a side view thereof;
FIG. 3 is a front view thereof; and,
FIG. 4 is a rear view thereof.

1 Claim, 1 Drawing Sheet



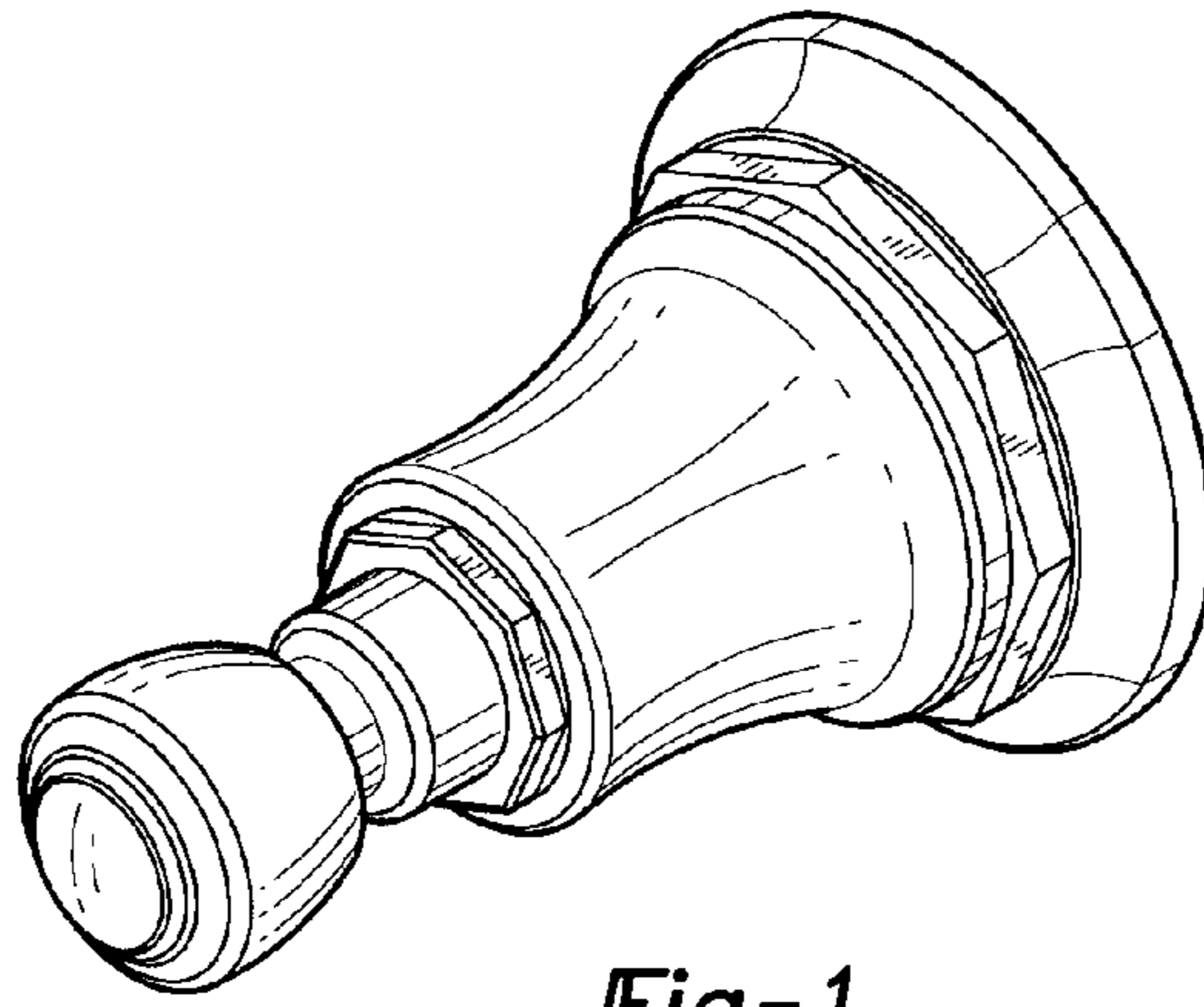


Fig-1

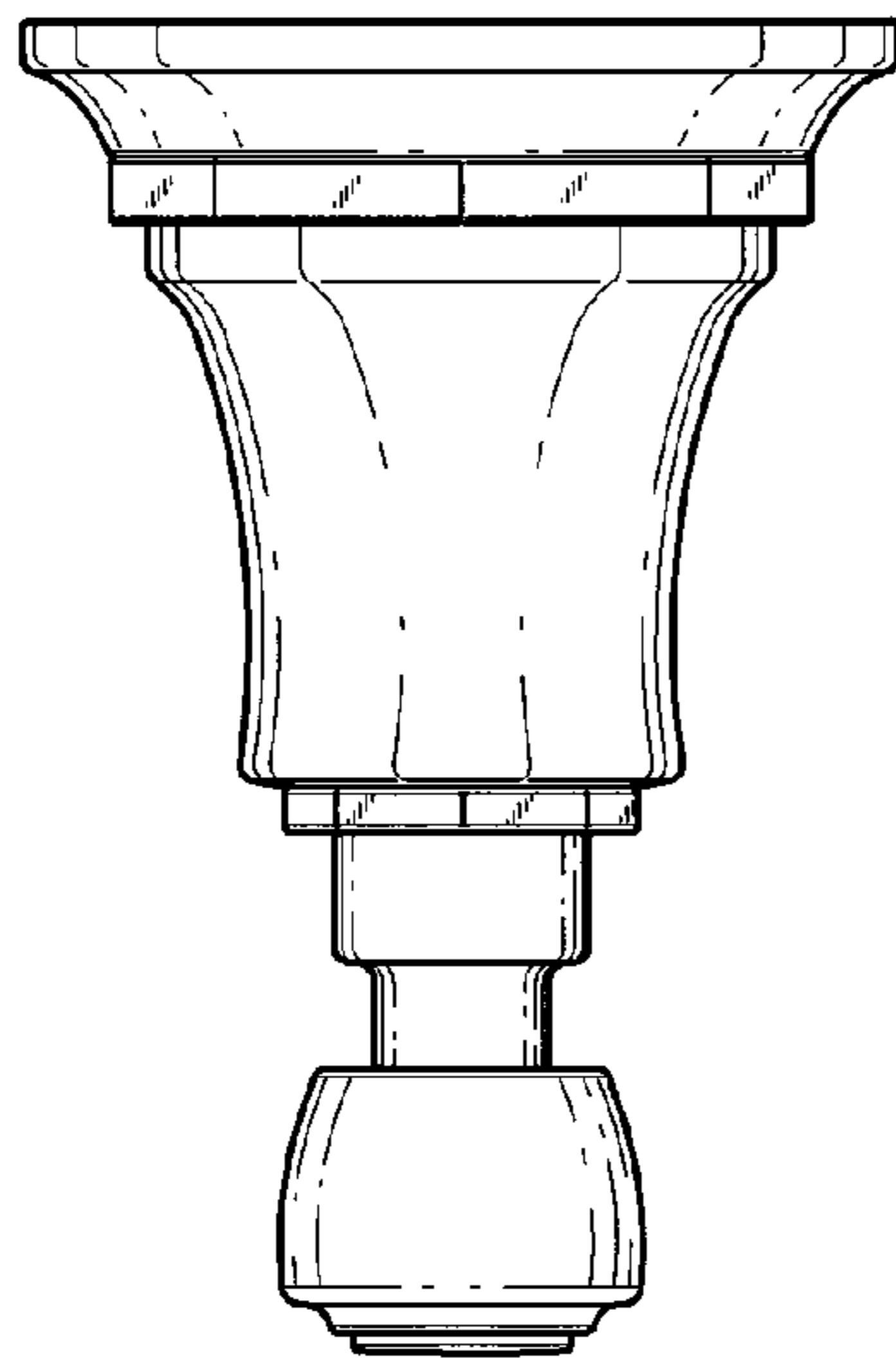


Fig-2

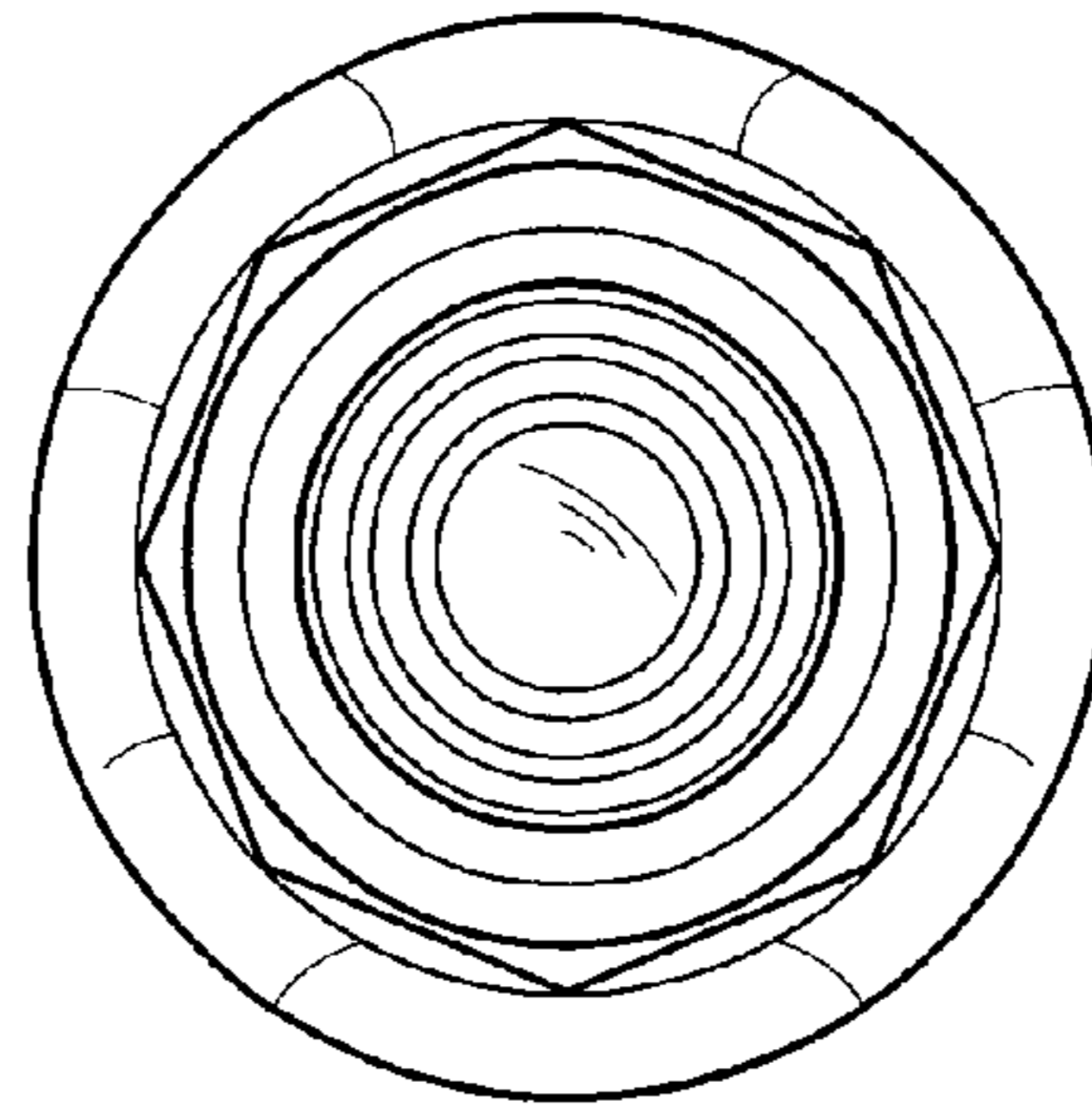


Fig-3

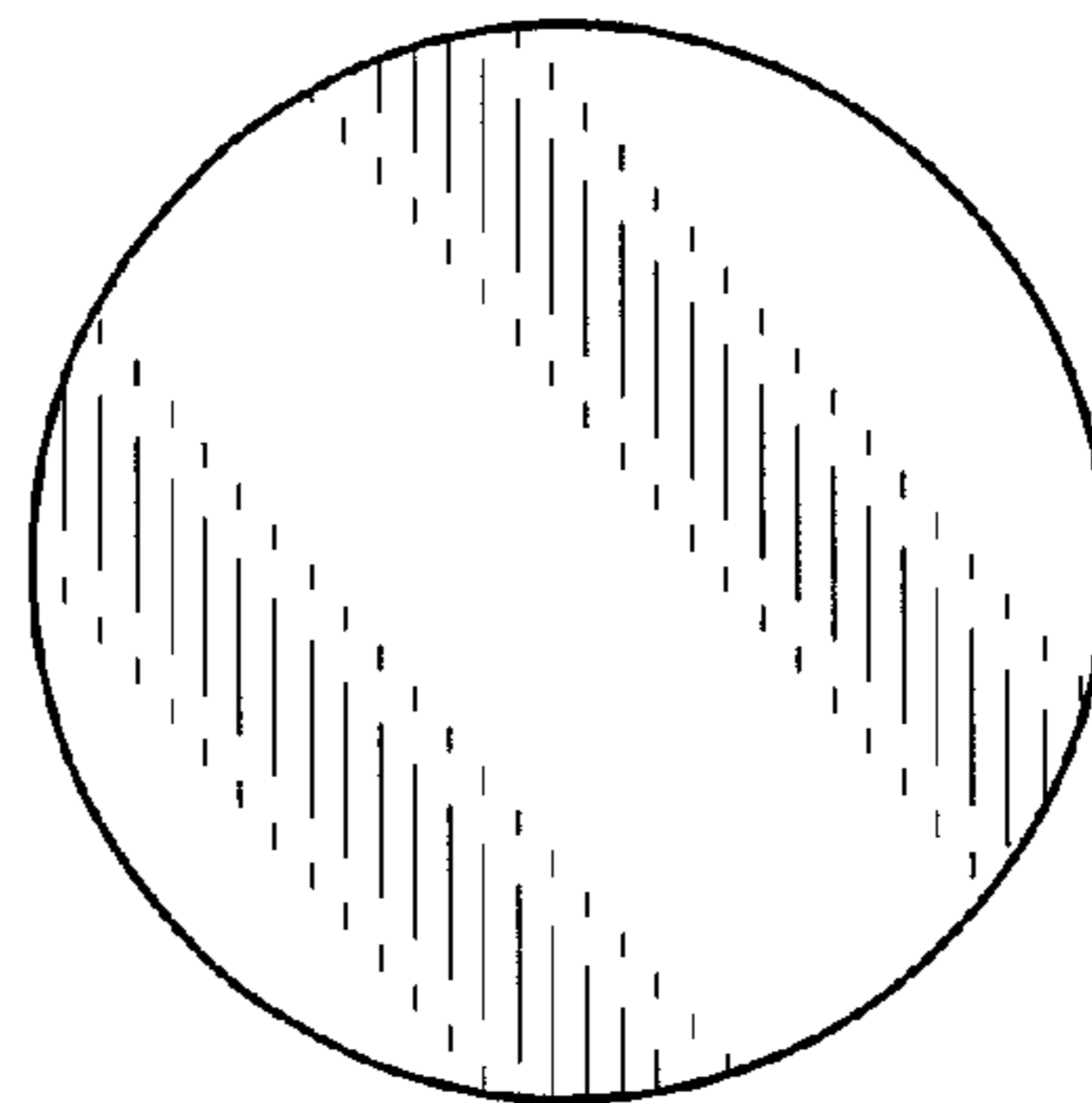


Fig-4