



US00D720945S

(12) **United States Design Patent**
Sonmez

(10) **Patent No.:** **US D720,945 S**
(45) **Date of Patent:** **** Jan. 13, 2015**

(54) **FURNITURE ITEM**

DESCRIPTION

- (71) Applicant: **Boytaş Mobilya Sanayi ve Ticaret Anonim Şirketi**, Kayseri (TR)
- (72) Inventor: **Osman Tanzer Sonmez**, Kayseri (TR)
- (73) Assignee: **Boytaş Mobilya Sanayi ve Ticaret Anonim Şirketi**, Kayseri (TR)
- (**) Term: **14 Years**
- (21) Appl. No.: **29/501,668**
- (22) Filed: **Sep. 6, 2014**
- (51) **LOC (10) Cl.** **06-01**
- (52) **U.S. Cl.**
USPC **D6/381; D6/334**
- (58) **Field of Classification Search**
CPC A47C 17/00; A47C 17/02; A47C 17/12;
A47C 17/18; A47C 7/021; A47C 31/00;
A47C 3/16
USPC D6/334, 335, 336, 381; 297/94, 118,
297/188.01, 445.1, 448.1, 452.11, DIG. 7,
297/DIG. 8
See application file for complete search history.

FIG. 1 is a perspective view of a first embodiment of a furniture item of the present invention;
 FIG. 2 is a perspective front view of the furniture item;
 FIG. 3 is a perspective rear view of the furniture item;
 FIG. 4 is a perspective right view of the furniture item;
 FIG. 5 is a perspective left side view of the furniture item;
 FIG. 6 is a perspective top side view of the furniture item;
 FIG. 7 is a perspective bottom view of the furniture item;
 FIG. 8 is a perspective view of a second embodiment of the furniture item of the present invention;
 FIG. 9 is another perspective front view of the furniture item;
 FIG. 10 is another perspective rear view of the furniture item;
 FIG. 11 is another perspective right side view of the furniture item;
 FIG. 12 is another perspective left side view of the furniture item;
 FIG. 13 is another perspective top side view of the furniture item;
 FIG. 14 is another perspective bottom view of the furniture item;
 FIG. 15 is a perspective view of a third embodiment of the furniture item of the present invention;
 FIG. 16 is another perspective front view of the furniture item;
 FIG. 17 is another perspective rear view of the furniture item;
 FIG. 18 is another perspective right view of the furniture item;
 FIG. 19 is another perspective left side view of the furniture item;
 FIG. 20 is another perspective top side view of the furniture item; and,
 FIG. 21 is another perspective bottom view of the furniture item.
 The broken lines shown in the drawings are for illustrative purposes only and form no part of the claimed design. The crisscross pattern of lines in the drawings represents material that is understood to be distributed uniformly over the surface of the furniture item.

(56) **References Cited**

U.S. PATENT DOCUMENTS

- D360,311 S * 7/1995 Stamberg et al. D6/334
- D432,336 S * 10/2000 Gibson D6/500

(Continued)

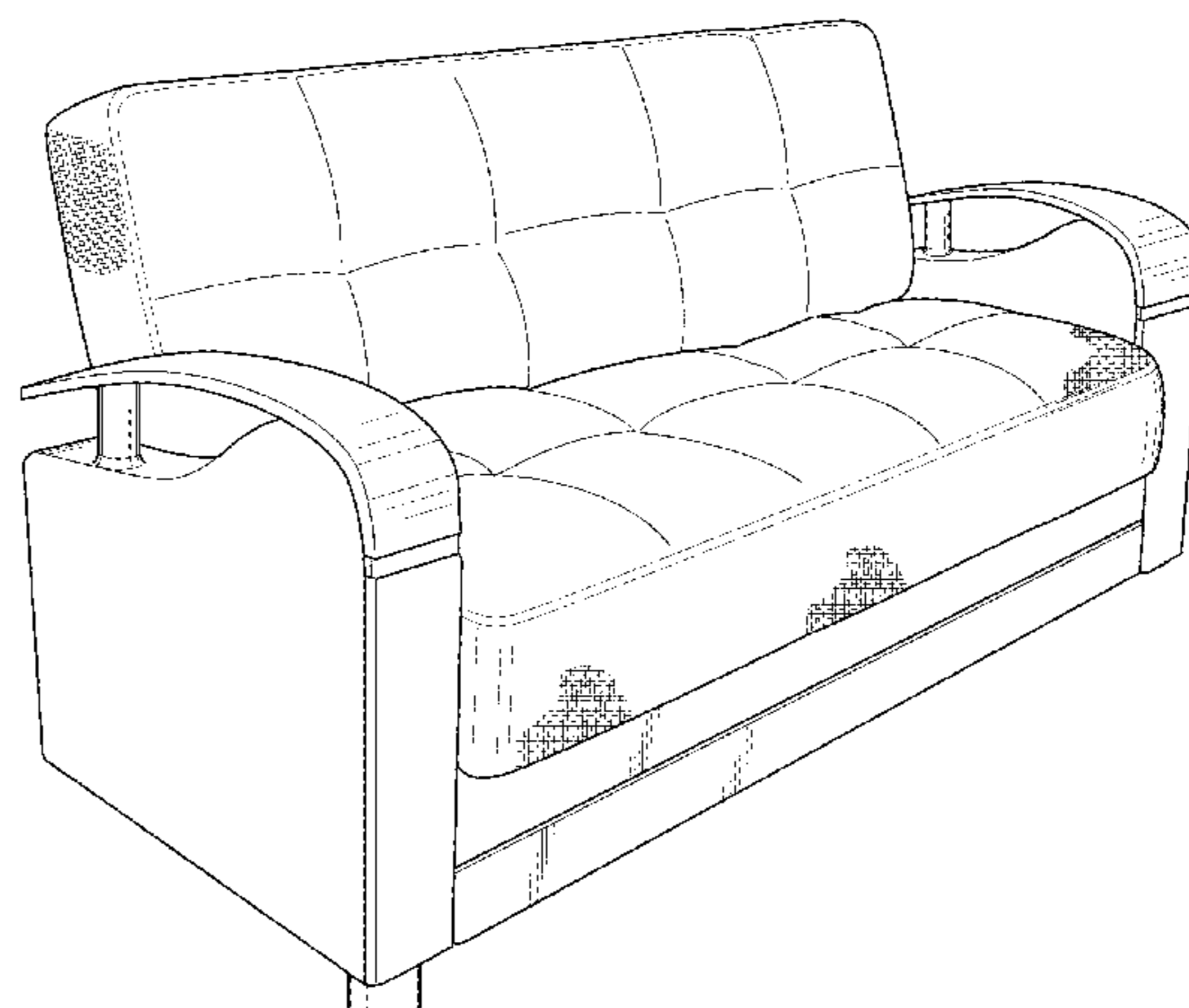
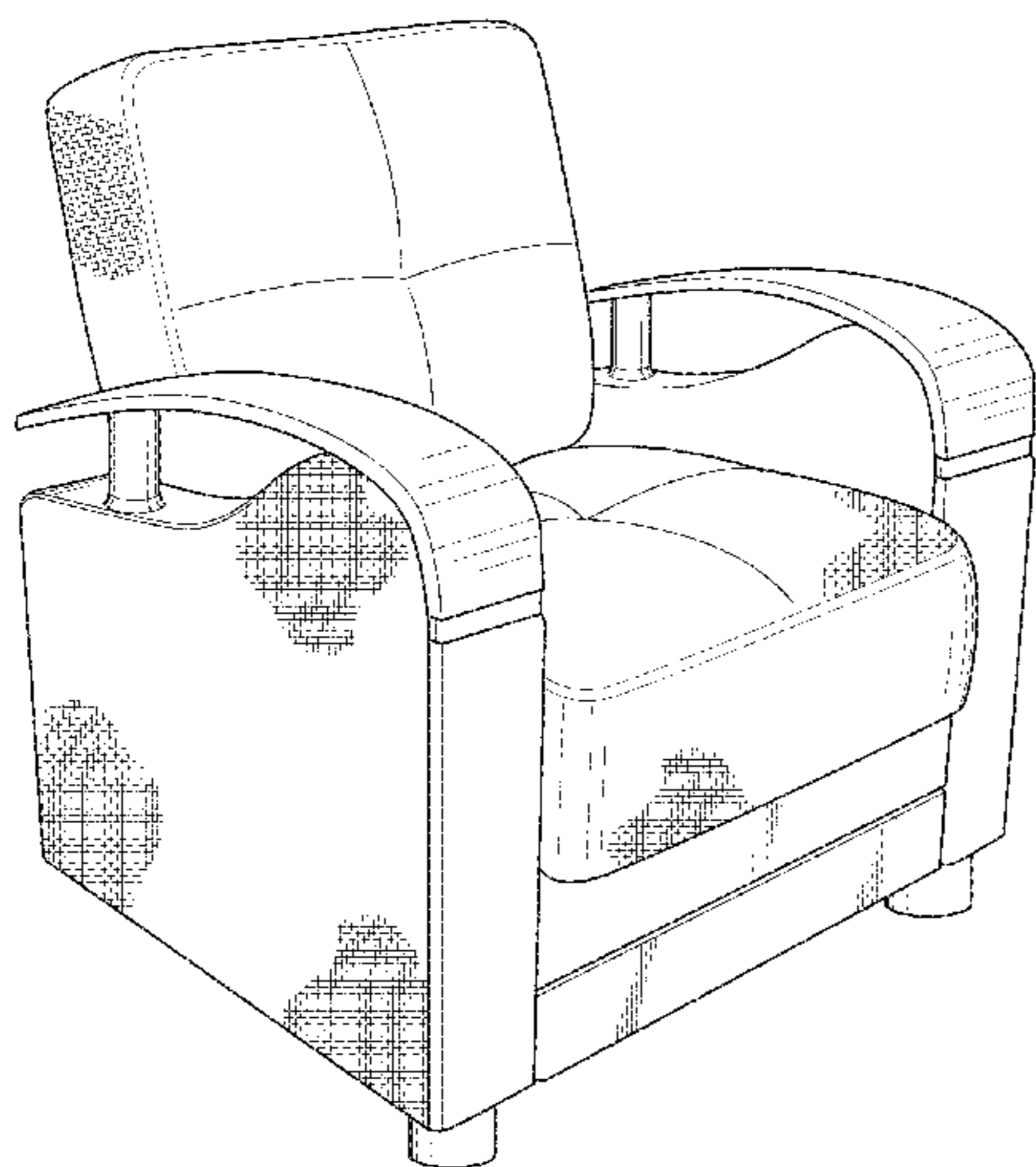
Primary Examiner — Sandra Snapp

(74) *Attorney, Agent, or Firm* — Inventa Capital PLC

(57) **CLAIM**

The ornamental design for a furniture item, as shown and described.

1 Claim, 21 Drawing Sheets



(56)

References Cited

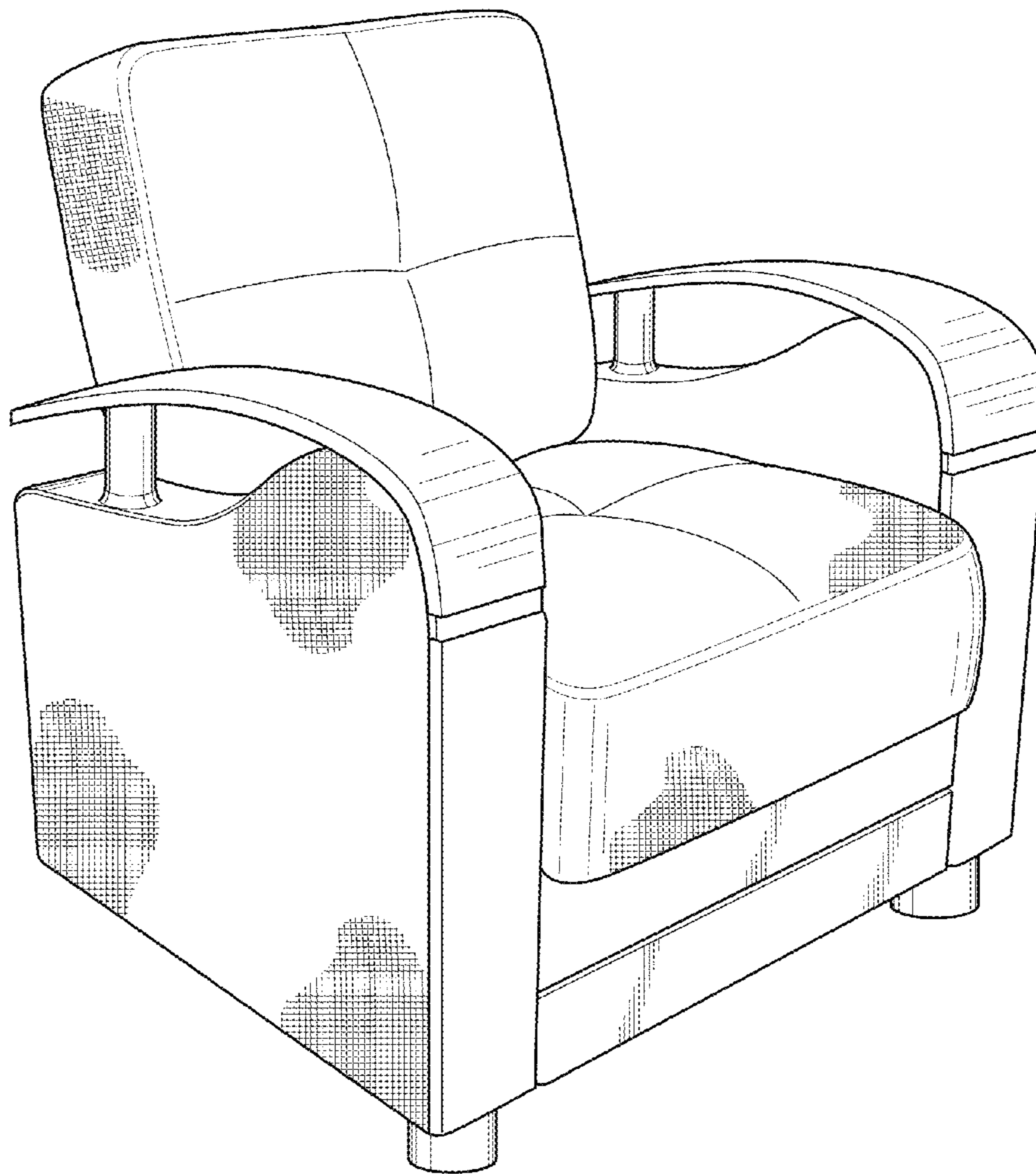
U.S. PATENT DOCUMENTS

D462,533 S * 9/2002 Popham et al. D6/334
D476,822 S * 7/2003 Schweikarth D6/381
D486,652 S * 2/2004 Nemeth D6/334
D491,756 S * 6/2004 Nemeth D6/492
D495,512 S * 9/2004 Diaz-Azcuy D6/369
D498,598 S * 11/2004 Schweikarth et al. D6/334
D506,323 S * 6/2005 White, III D6/334

D535,483 S * 1/2007 Hutton D6/334
D546,571 S * 7/2007 Ricci D6/334
D549,470 S * 8/2007 Hutton et al. D6/334
D580,664 S * 11/2008 Cramer et al. D6/334
D593,766 S * 6/2009 Natuzzi D6/381
D626,757 S * 11/2010 Crockett D6/334
D666,424 S * 9/2012 Carter, III D6/334
D677,925 S * 3/2013 Banda D6/381
D694,546 S * 12/2013 George D6/381

* cited by examiner

FIG. 1



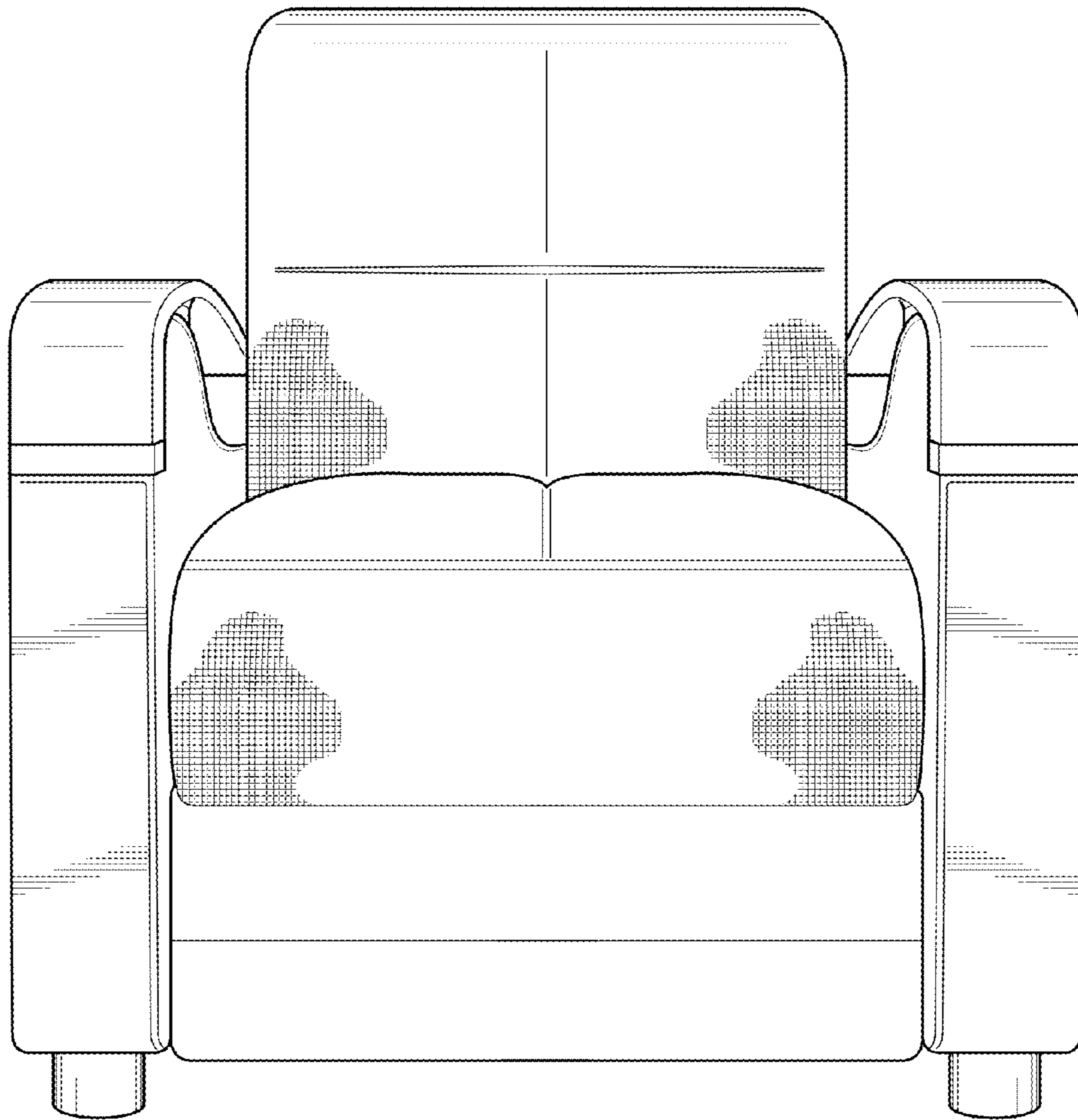


FIG. 2

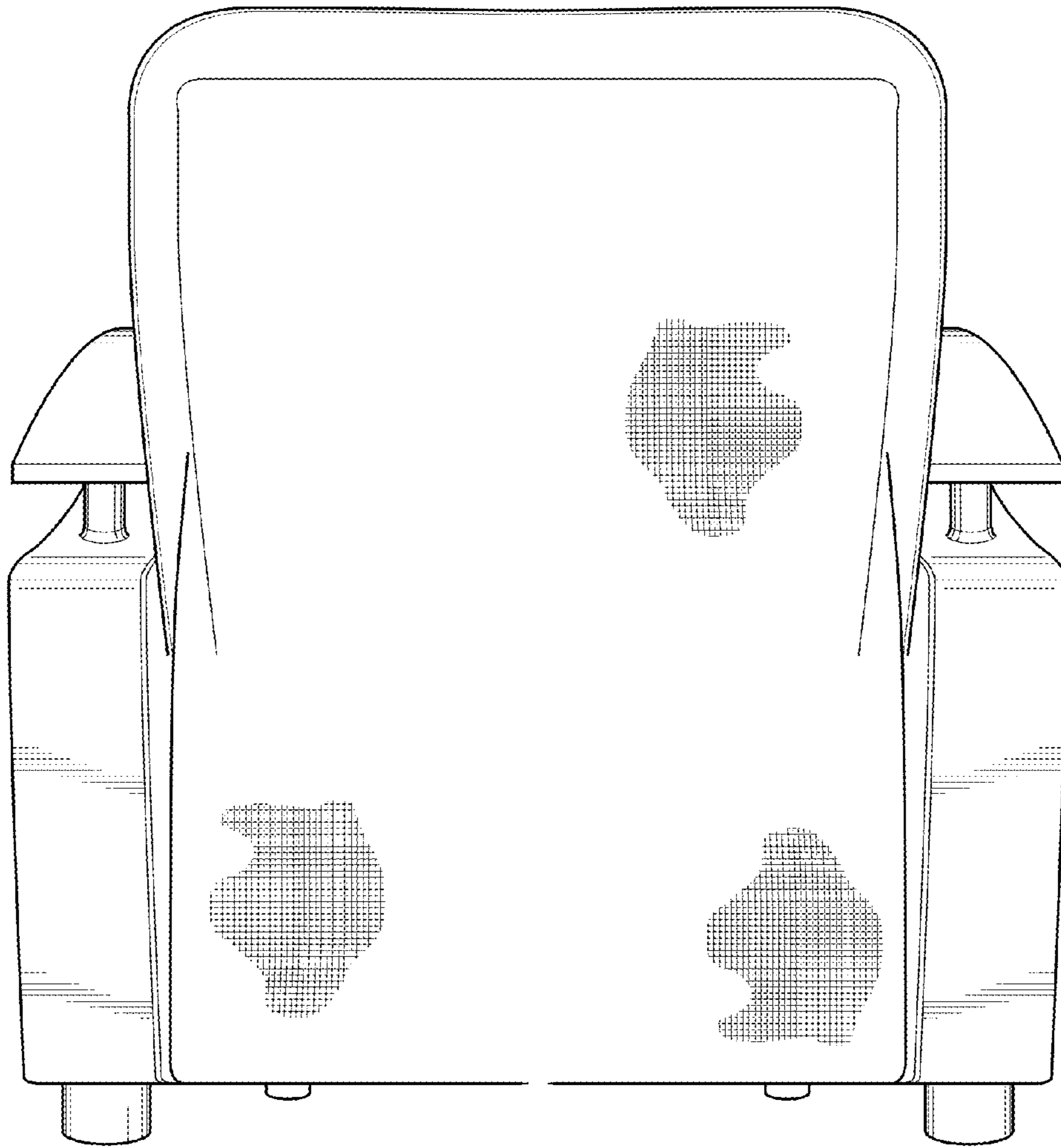
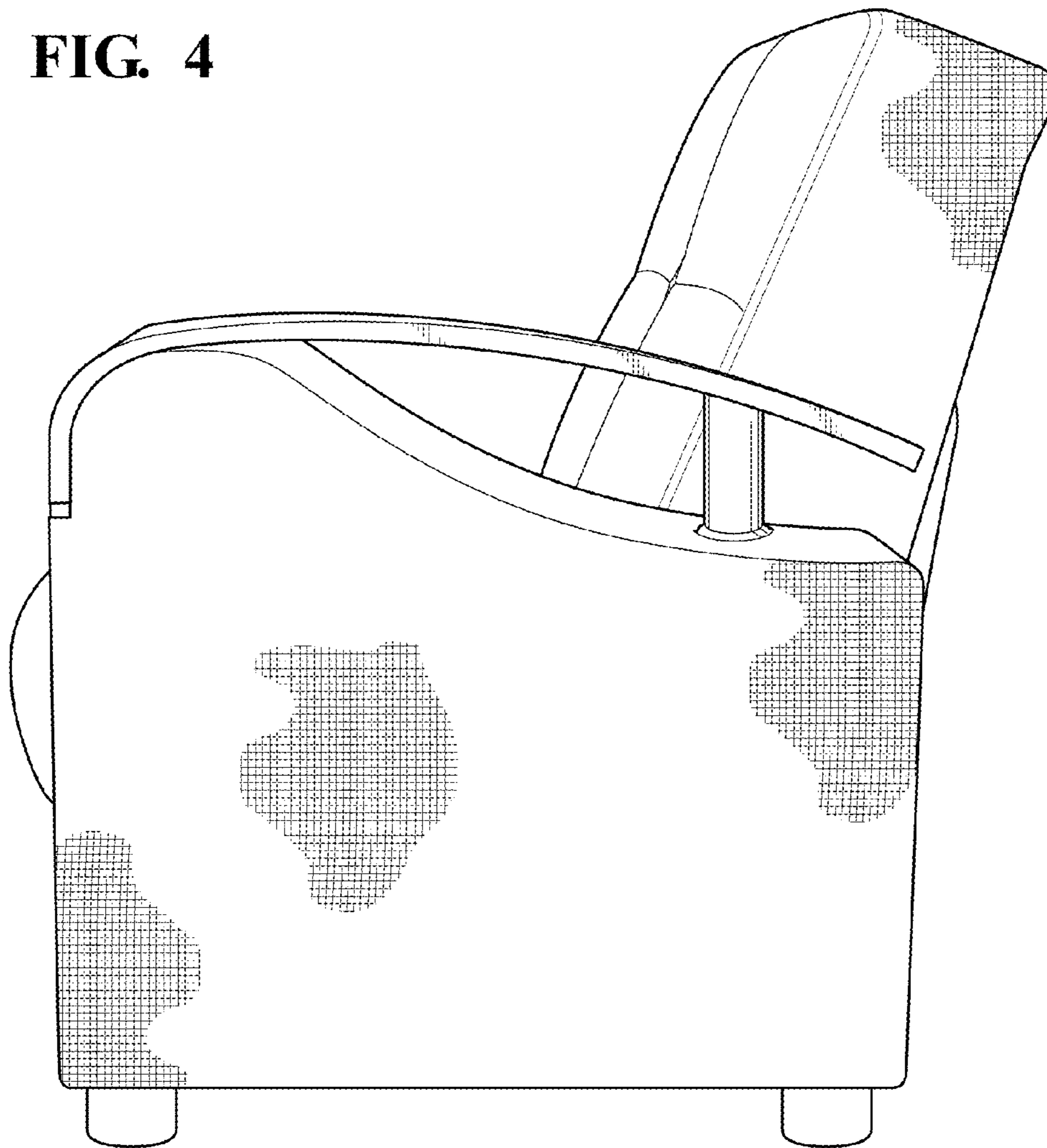
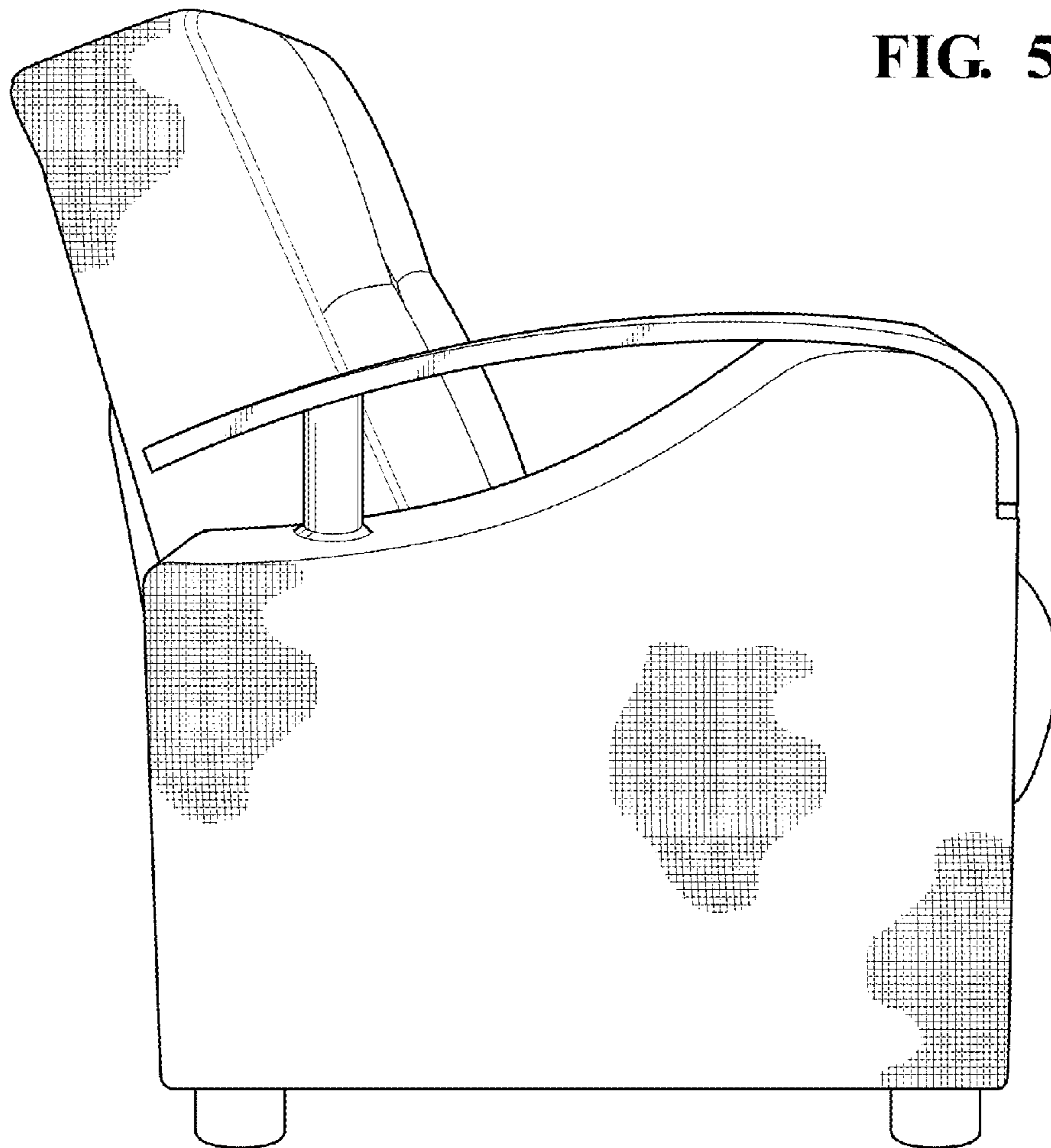


FIG. 3

FIG. 4





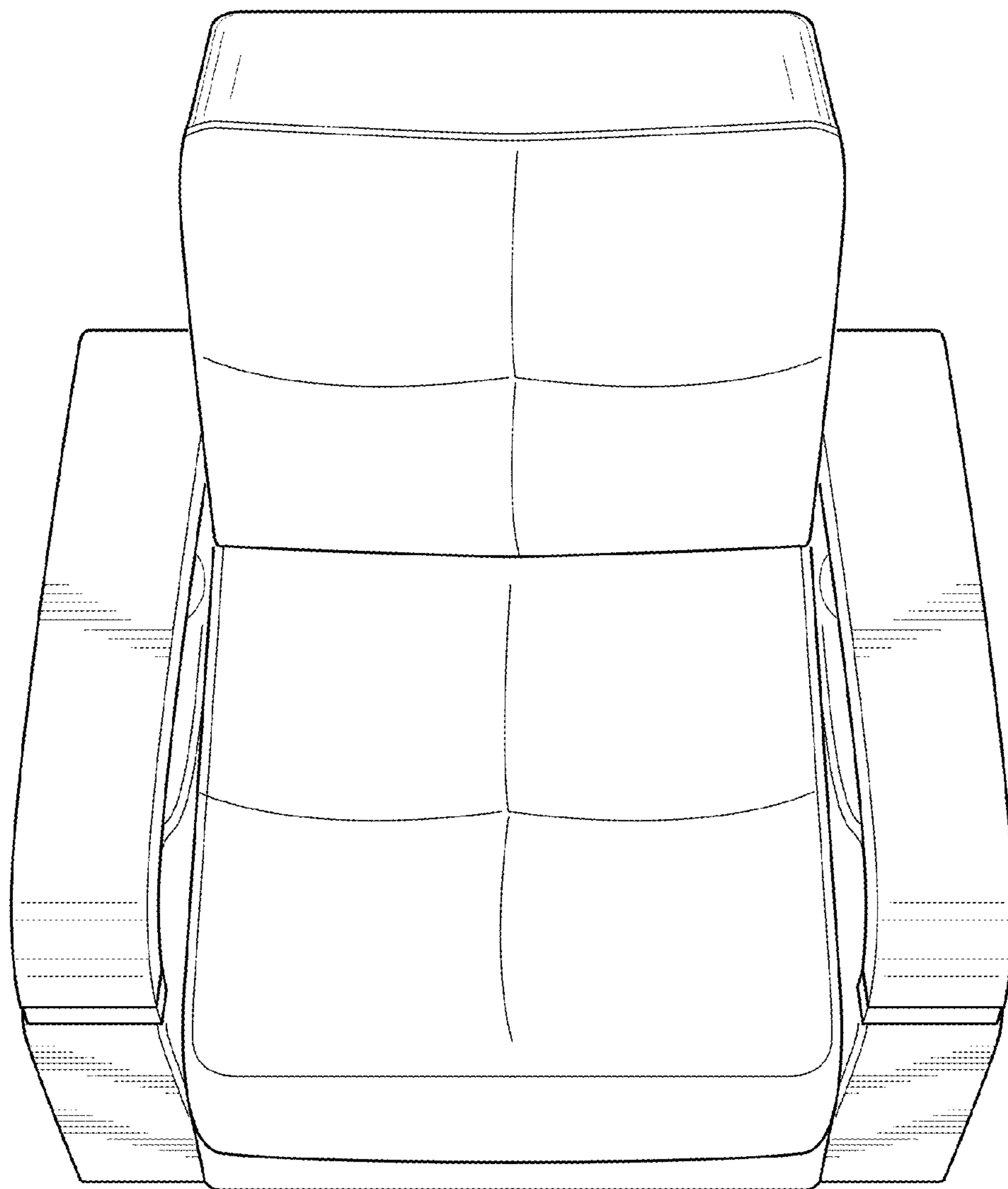


FIG. 6

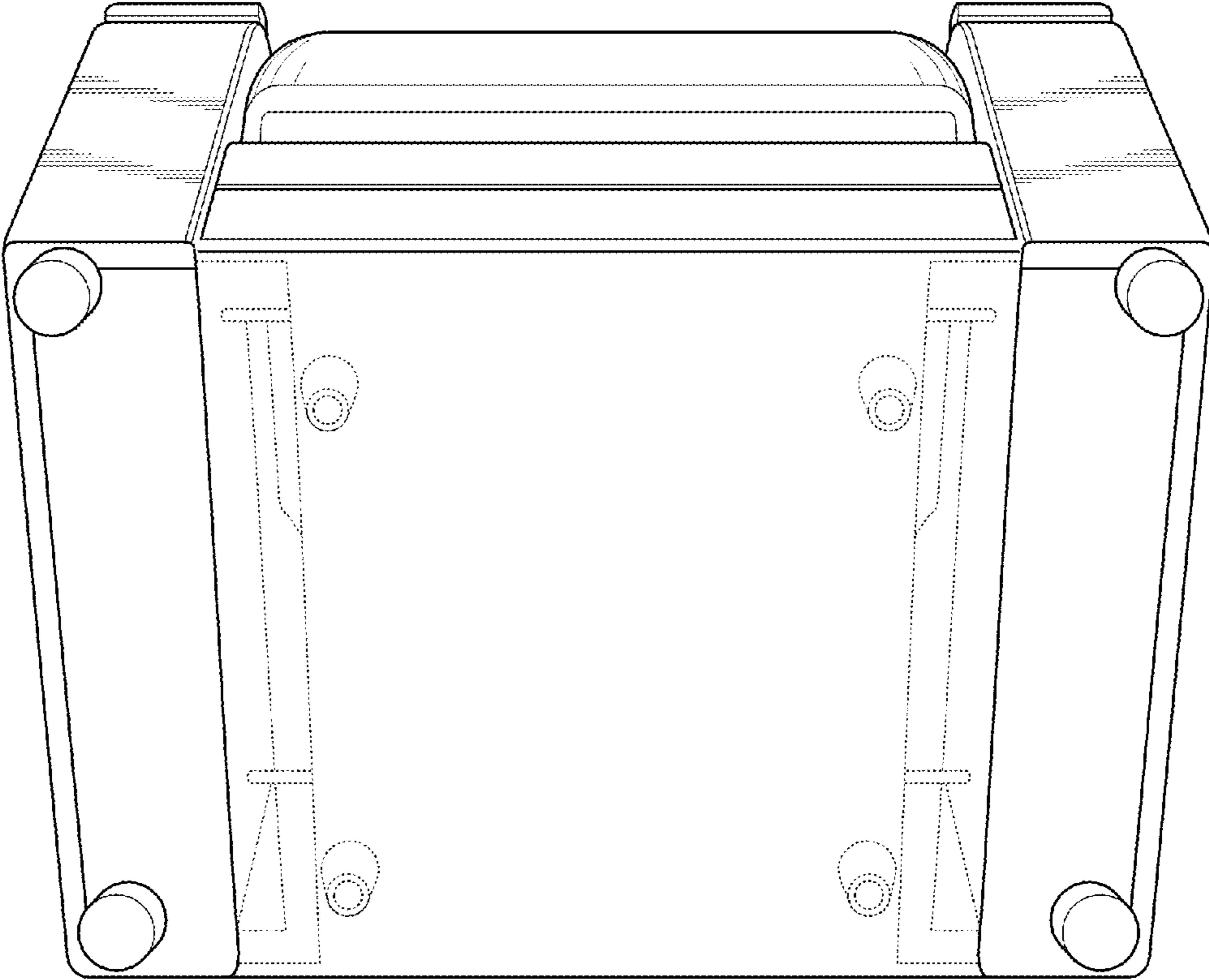


FIG. 7

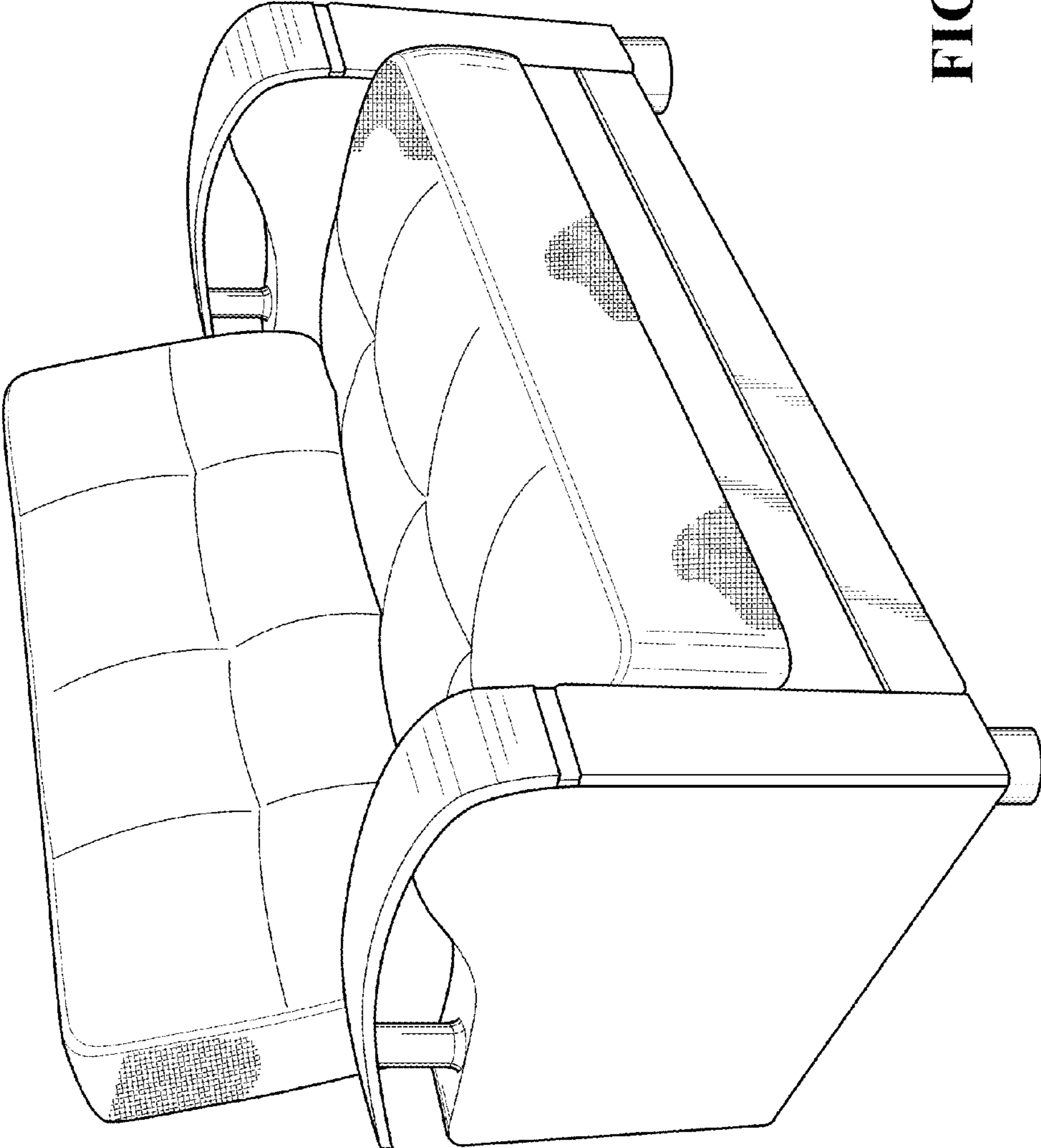


FIG. 8

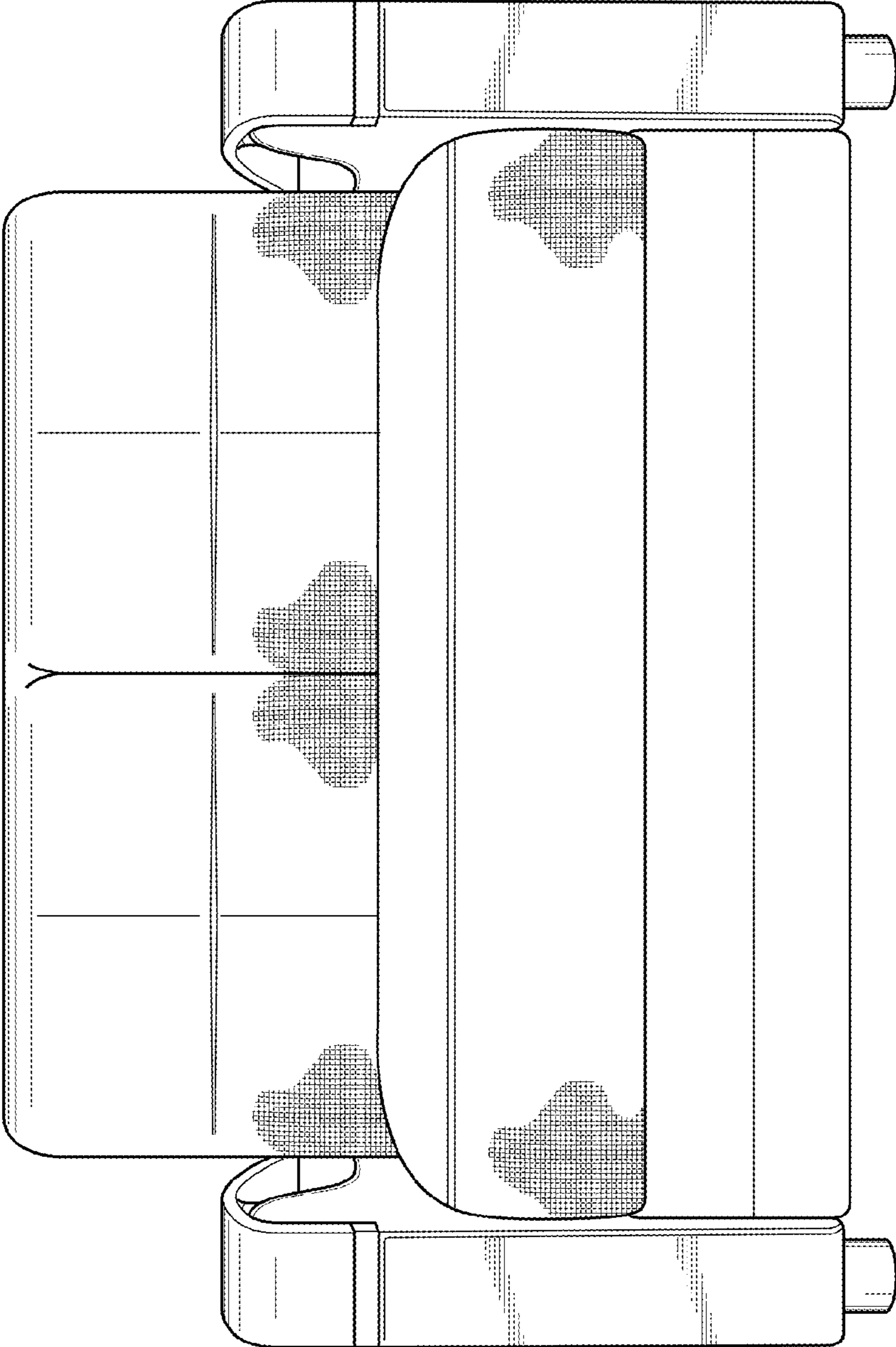


FIG. 9

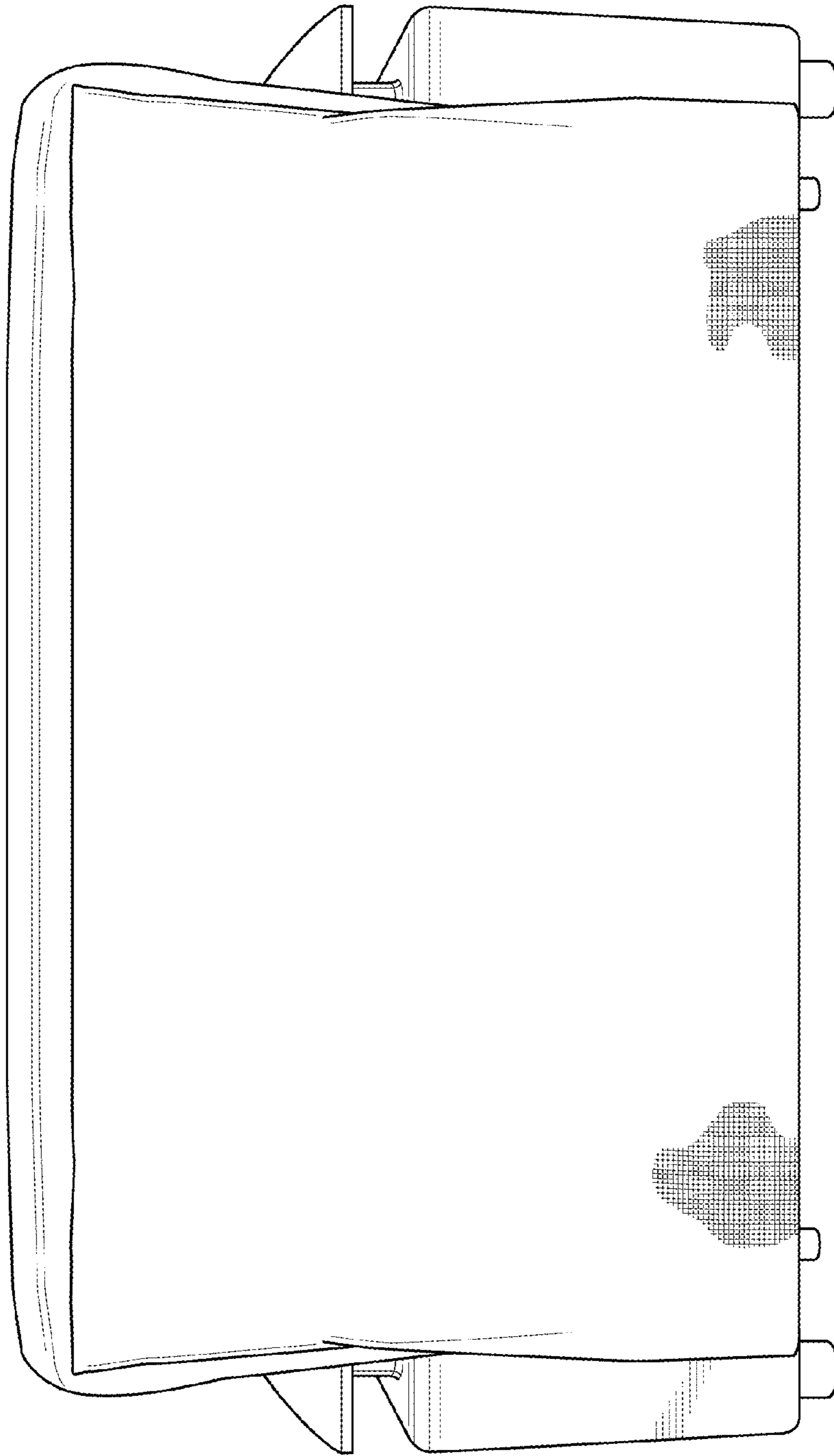
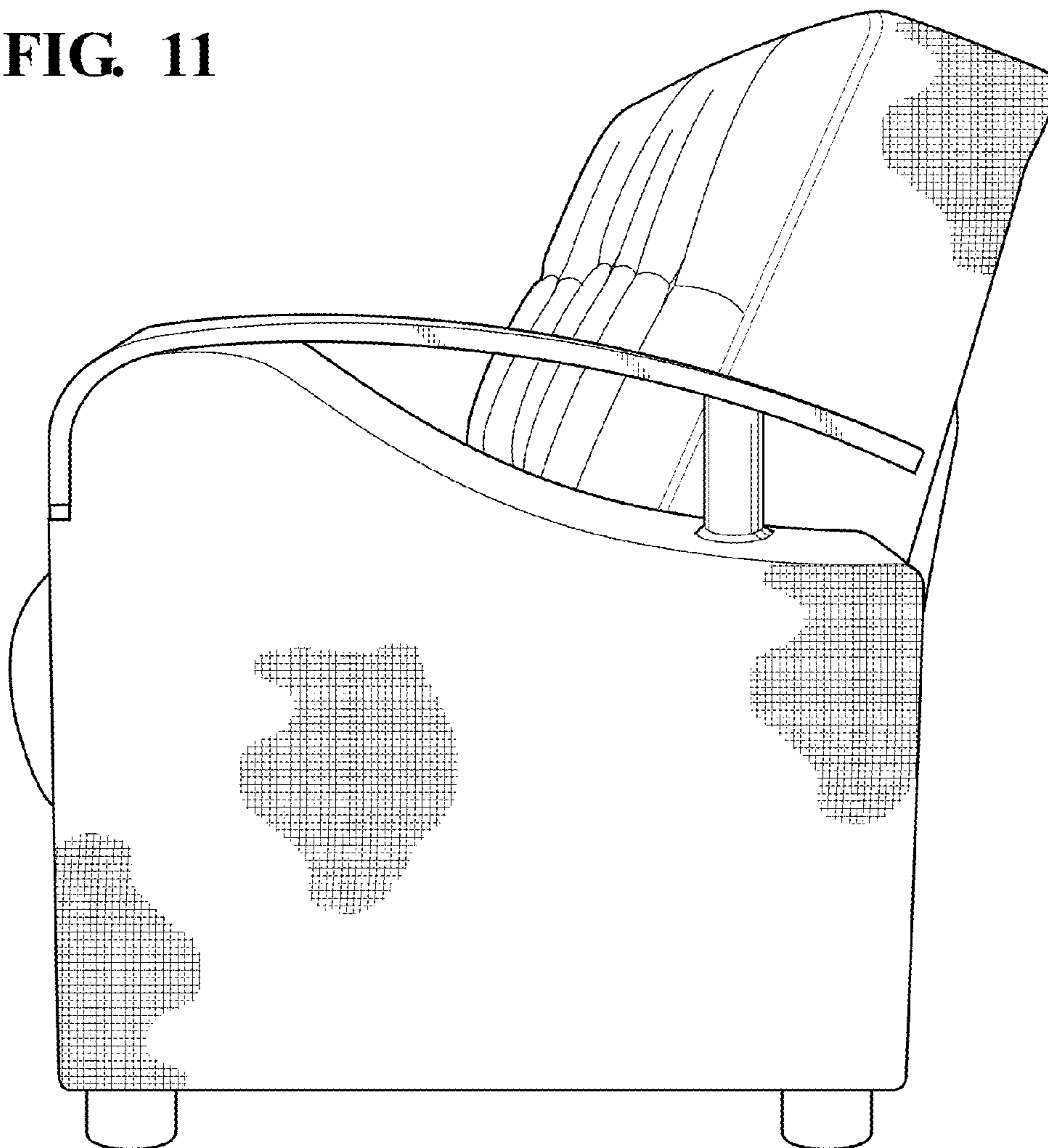


FIG. 10

FIG. 11



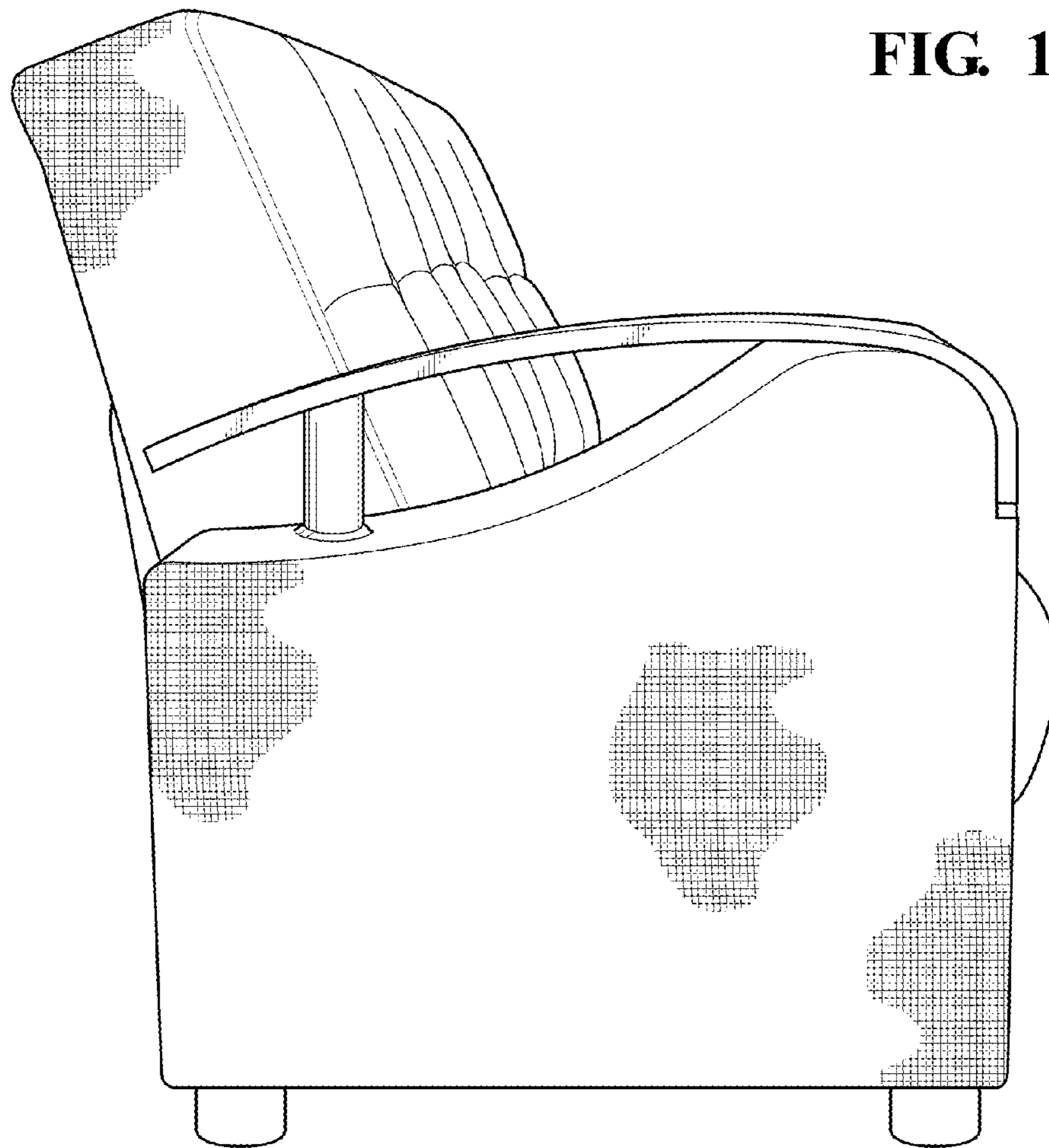


FIG. 12

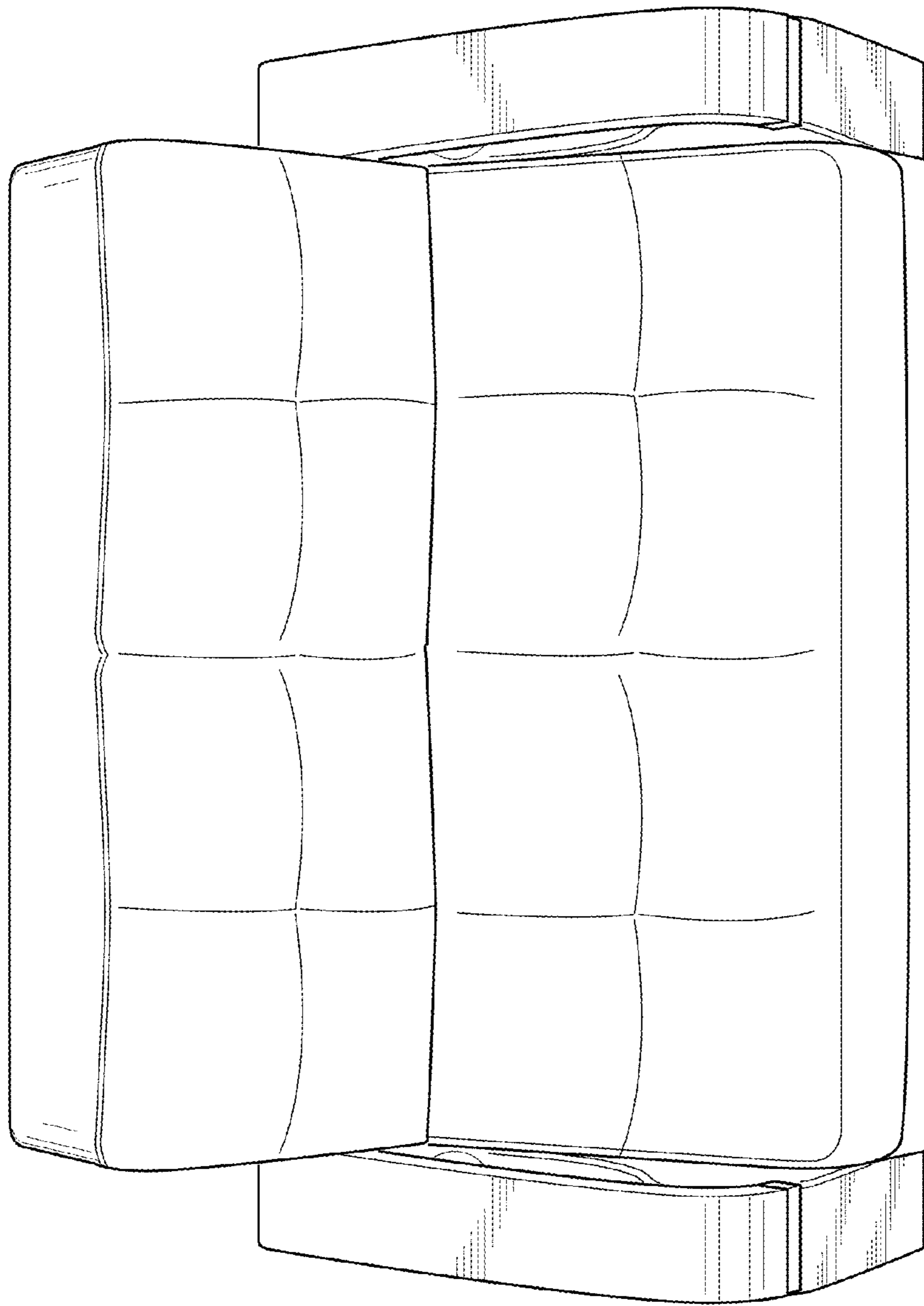


FIG. 13

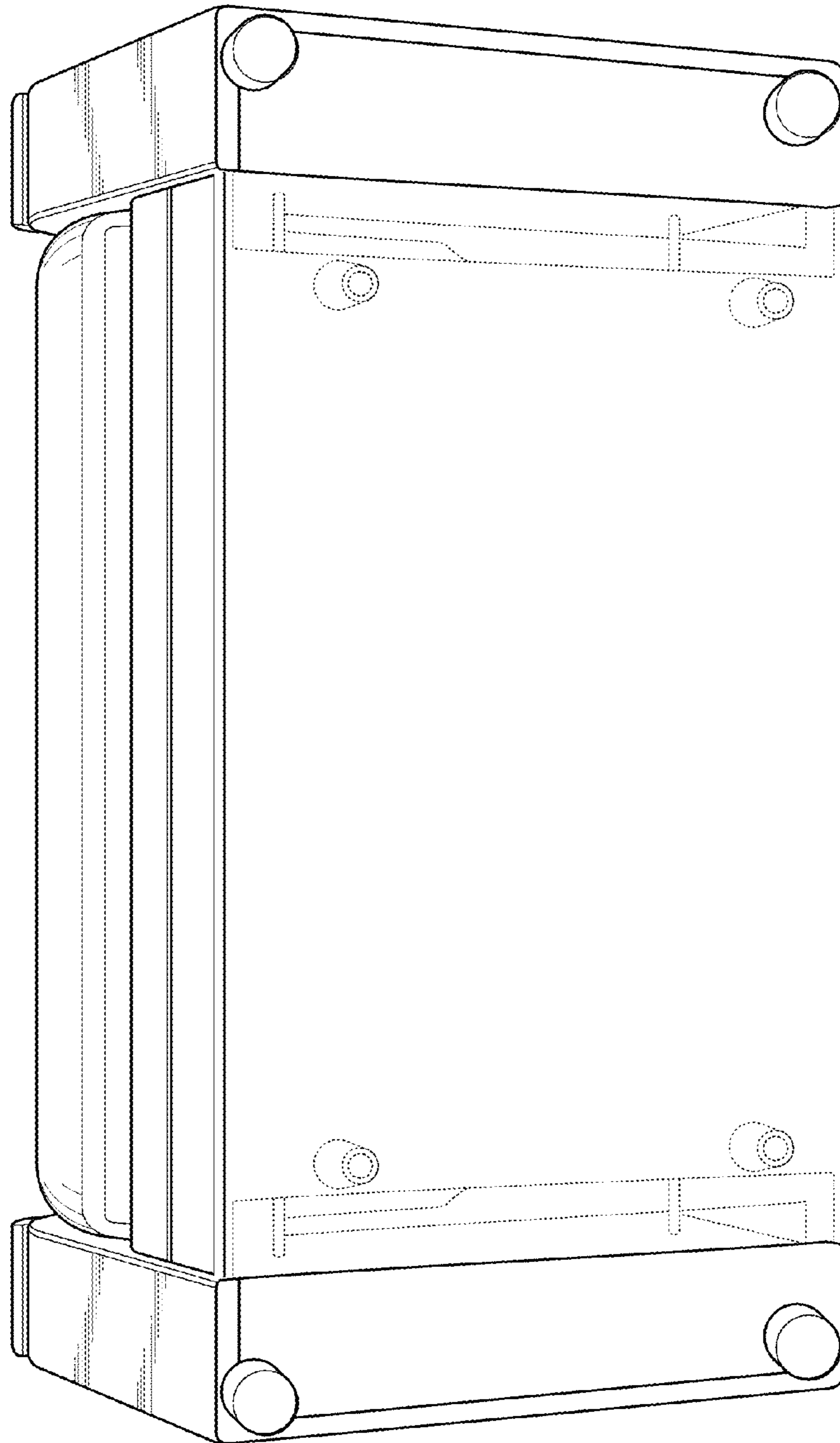


FIG. 14

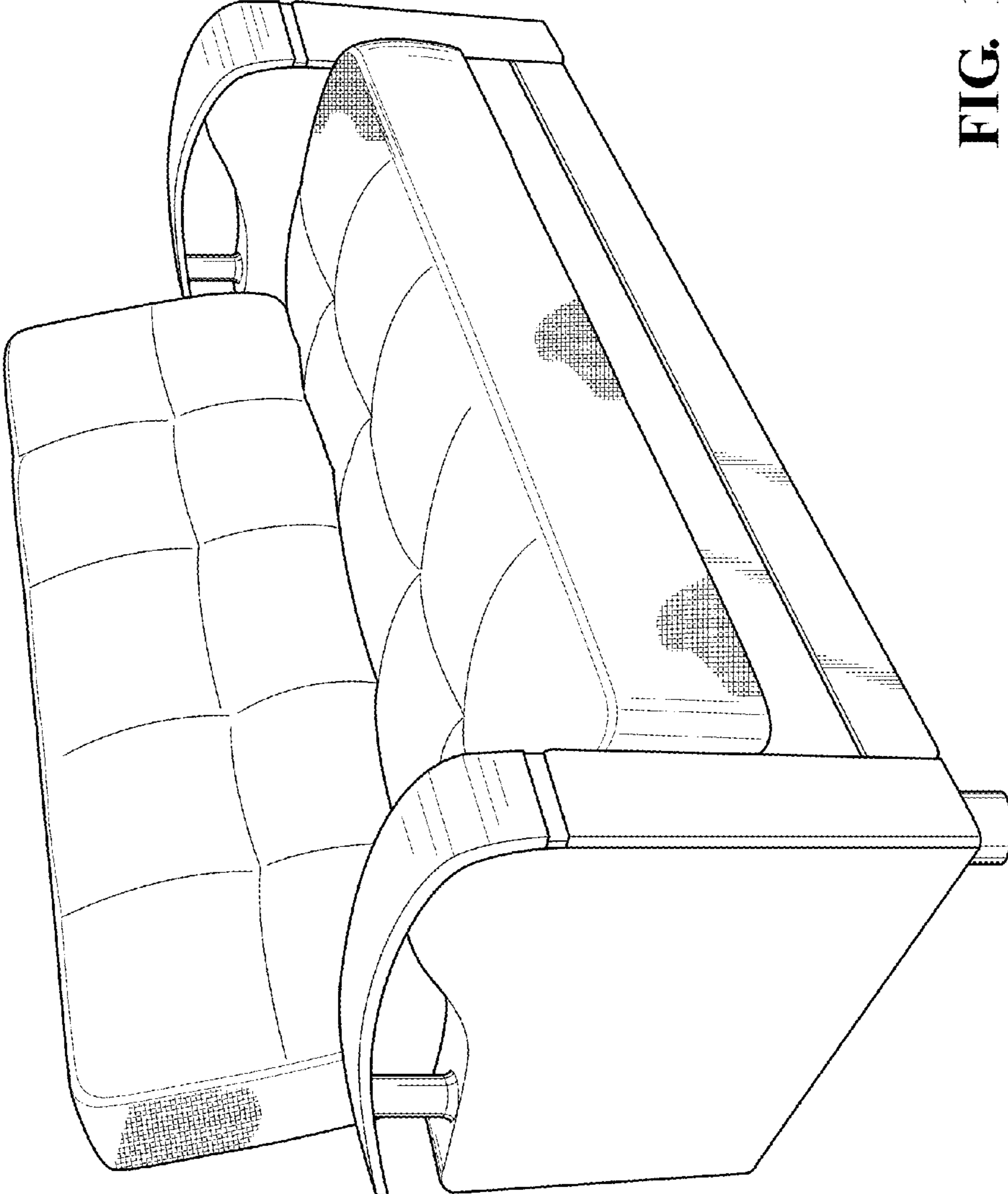


FIG. 15

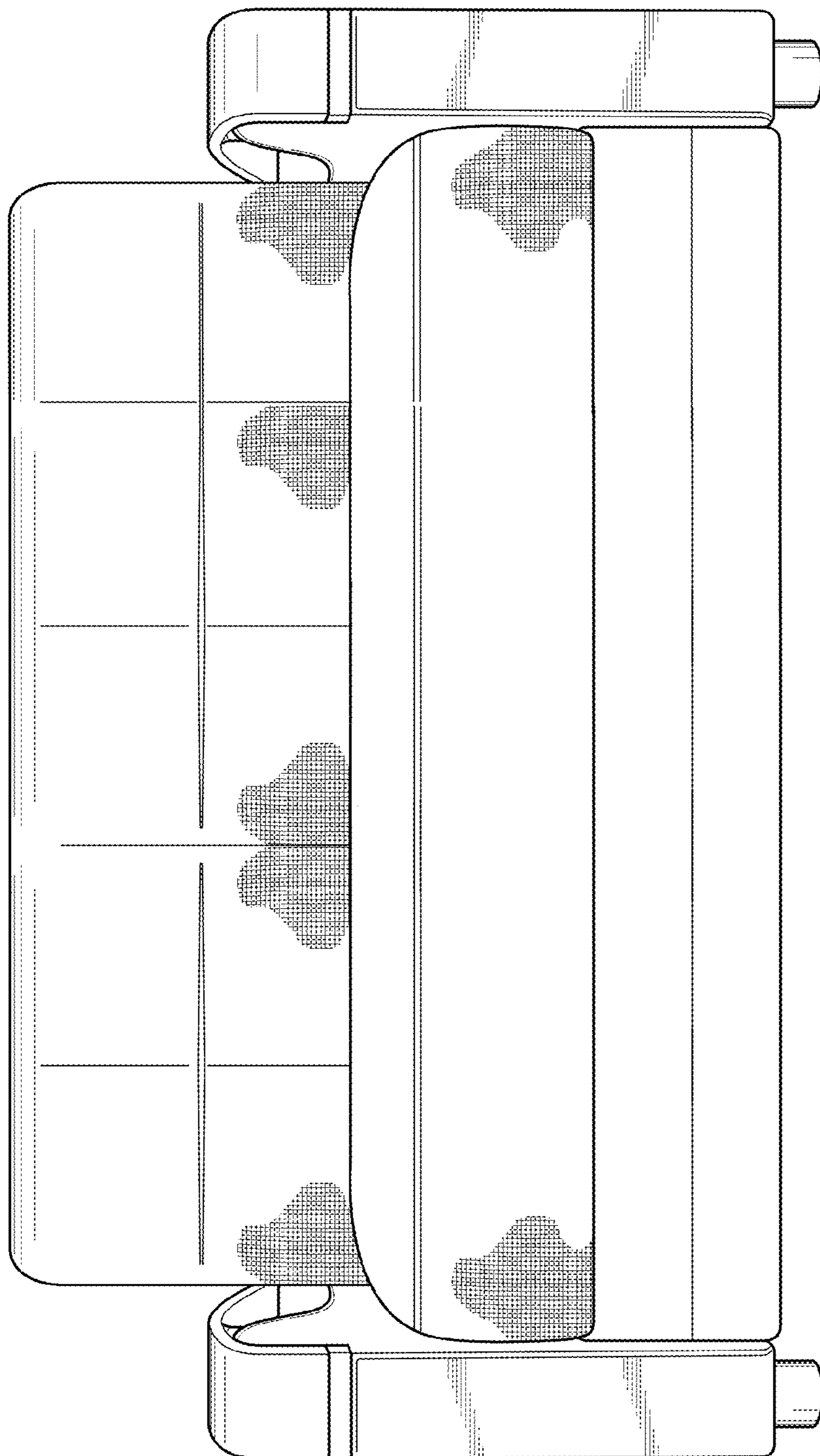


FIG. 16

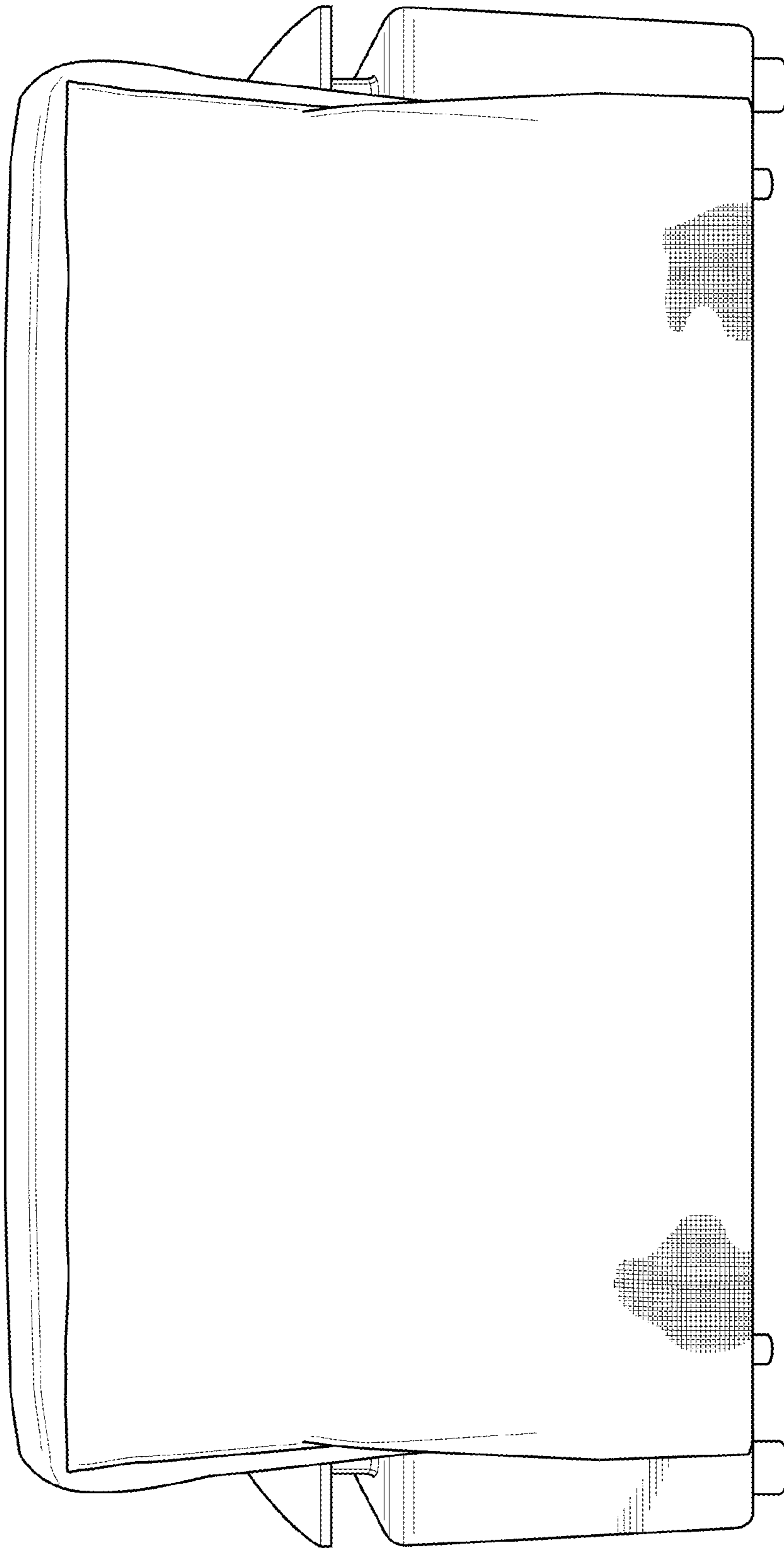
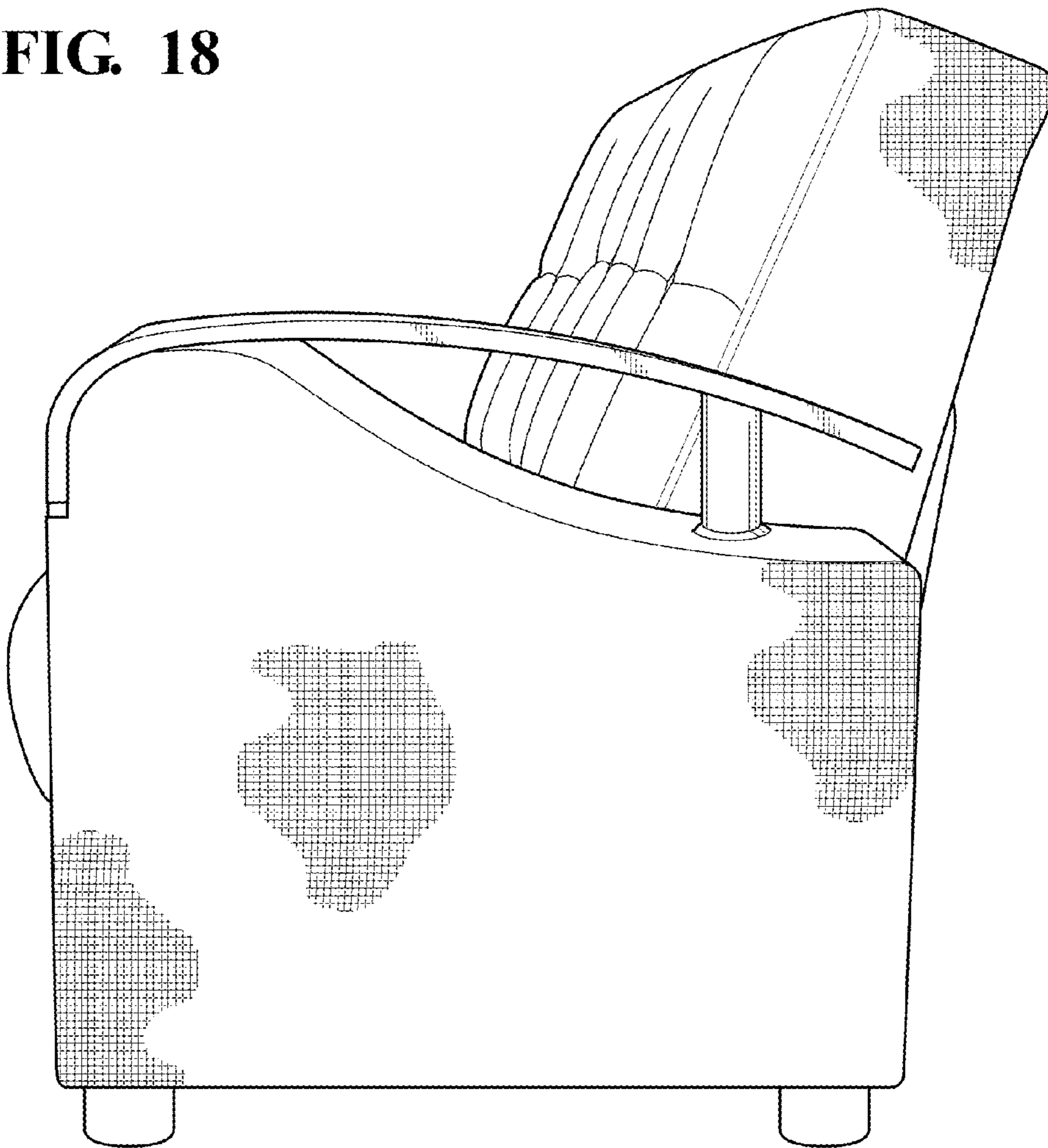


FIG. 17

FIG. 18



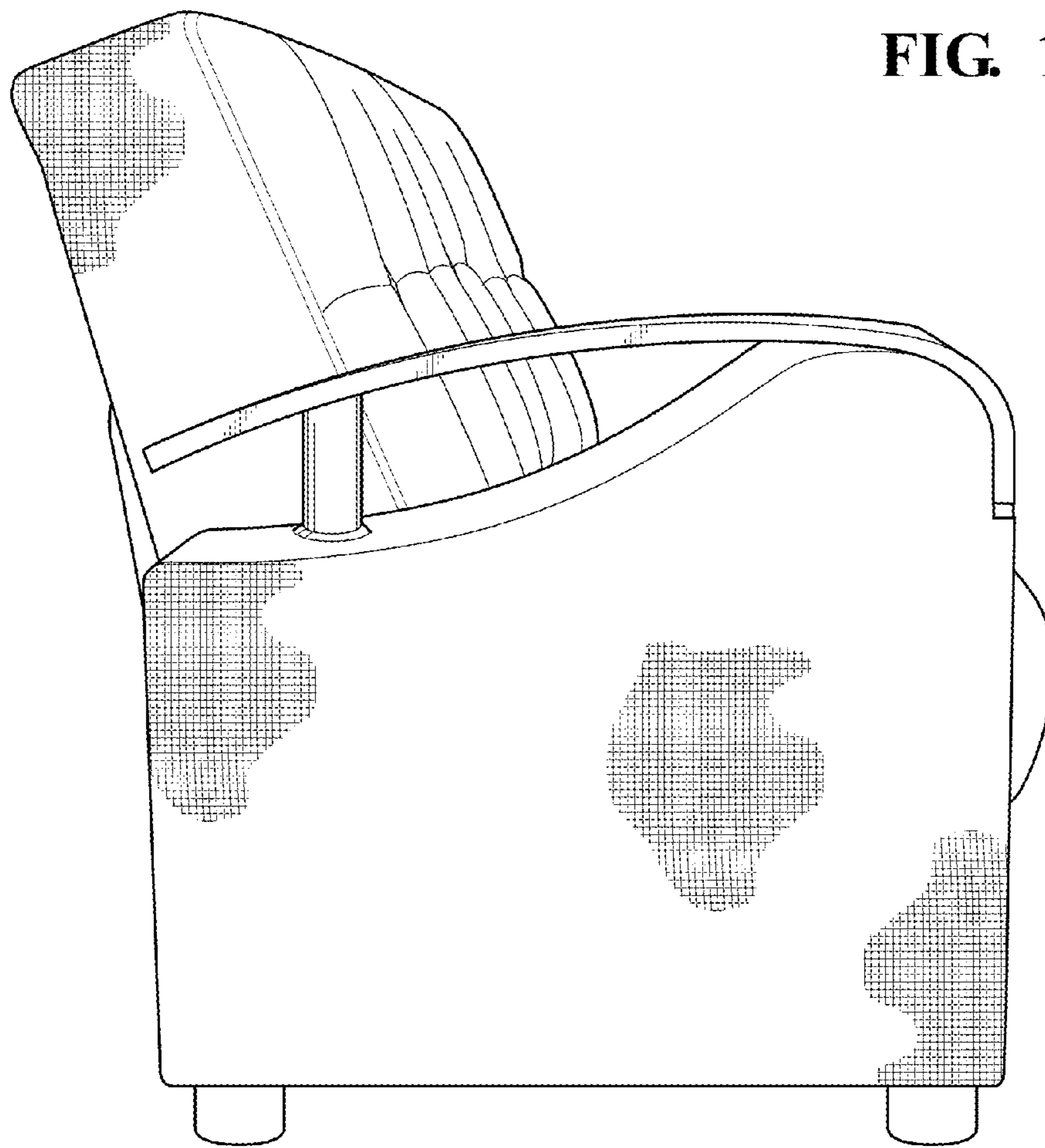


FIG. 19

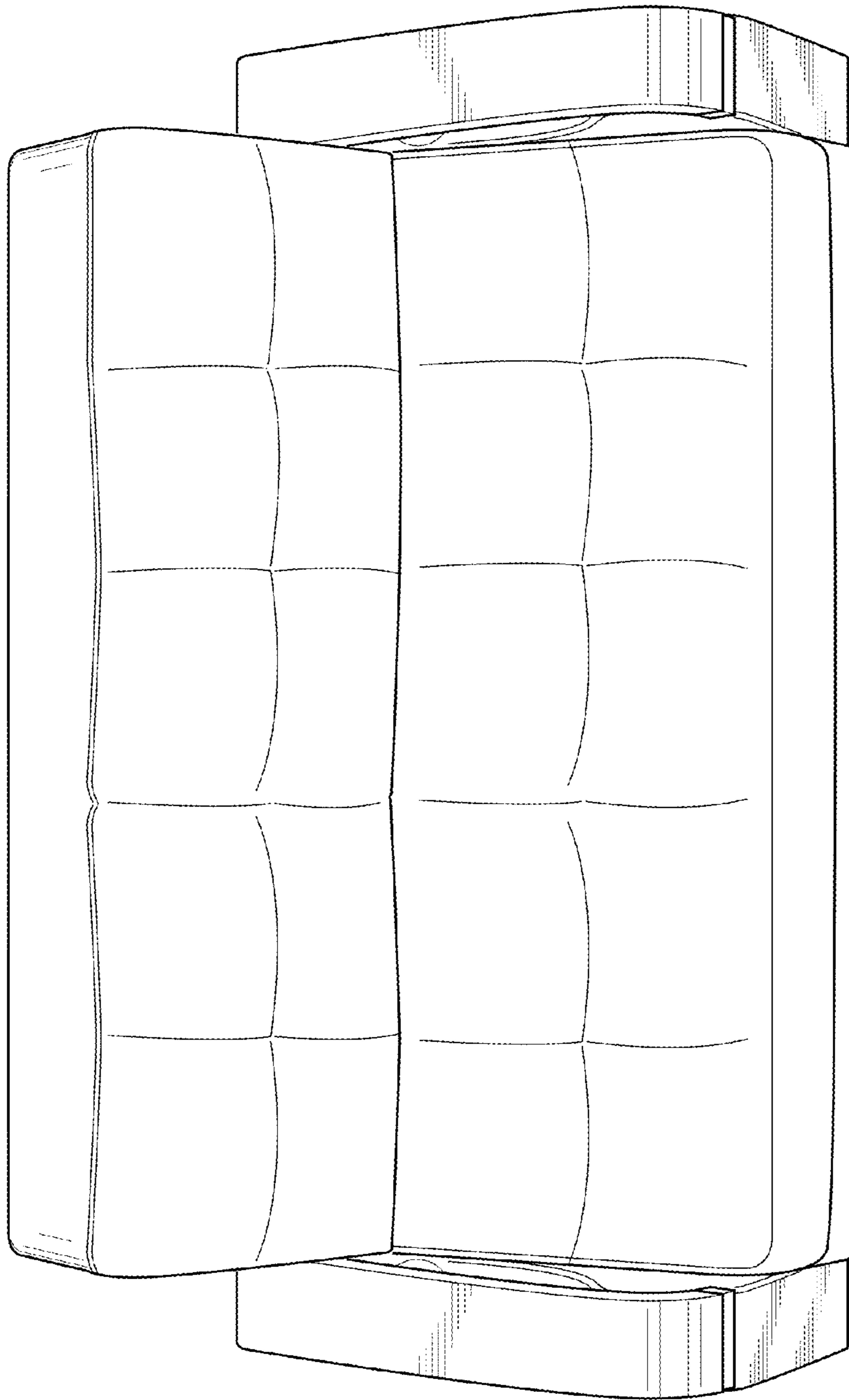


FIG. 20

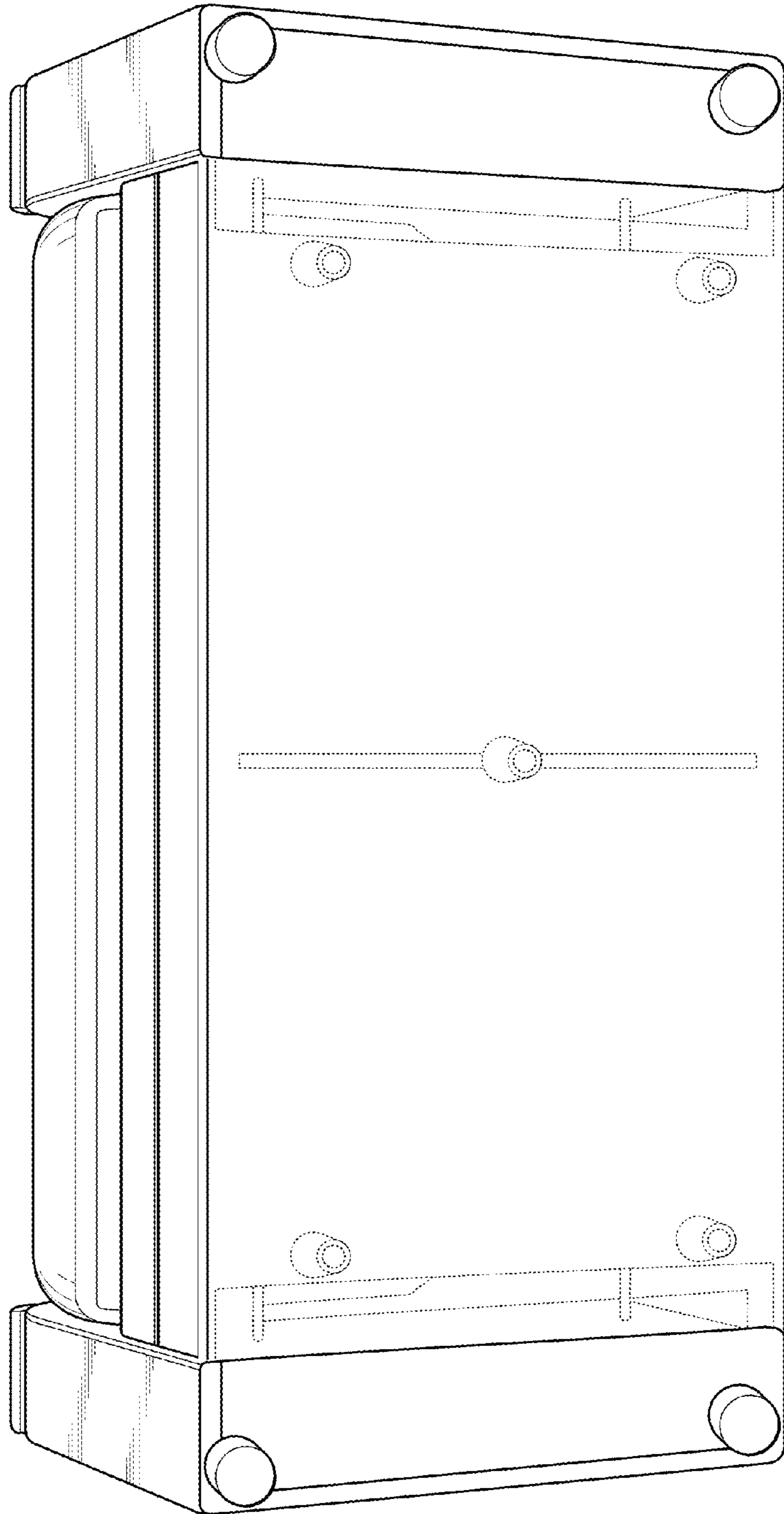


FIG. 21