



US00D720943S

(12) **United States Design Patent**
Pathiratne

(10) **Patent No.:** **US D720,943 S**
(45) **Date of Patent:** **** Jan. 13, 2015**

(54) **CONVERTIBLE SOFA BED WITH SEPARATE CHAISE LOUNGE**

Primary Examiner — Sandra Snapp
(74) *Attorney, Agent, or Firm* — Jackson Walker L.L.P.

(71) Applicant: **Lifestyle Solutions, Inc.**, Fremont, CA (US)

(57) **CLAIM**
The ornamental design for a convertible sofa bed with separate chaise lounge, as shown and described.

(72) Inventor: **Sean Pathiratne**, San Jose, CA (US)

DESCRIPTION

(73) Assignee: **Lifestyle Solutions, Inc.**, Fremont, CA (US)

(**) Term: **14 Years**

(21) Appl. No.: **29/484,281**

(22) Filed: **Mar. 7, 2014**

(51) **LOC (10) Cl.** **06-01**

(52) **U.S. Cl.**
USPC **D6/381**

(58) **Field of Classification Search**

CPC A47C 17/00; A47C 17/02; A47C 17/12;
A47C 17/18; A47C 7/021; A47C 31/00;
A47C 3/16

USPC D6/334, 335, 336, 379, 381, 369;
297/94, 118, 232, 445.1, 448.1, DIG. 7

See application file for complete search history.

(56) **References Cited**

U.S. PATENT DOCUMENTS

D253,326 S *	11/1979	Brukoff	D6/377
D488,315 S *	4/2004	Natuzzi	D6/381
D498,941 S *	11/2004	Ricci	D6/381
D499,264 S *	12/2004	Ricci	D6/381
D504,247 S *	4/2005	Ricci	D6/381
D514,840 S *	2/2006	Ghetti	D6/381
D519,296 S *	4/2006	Ghetti	D6/381
D542,561 S *	5/2007	Ricci	D6/381
D567,572 S *	4/2008	Cohen et al.	D7/354
D584,522 S *	1/2009	Ricci	D6/381
D600,467 S *	9/2009	Natuzzi	D6/381
D640,480 S *	6/2011	Bush	D6/381
D640,481 S *	6/2011	Bush	D6/381

* cited by examiner

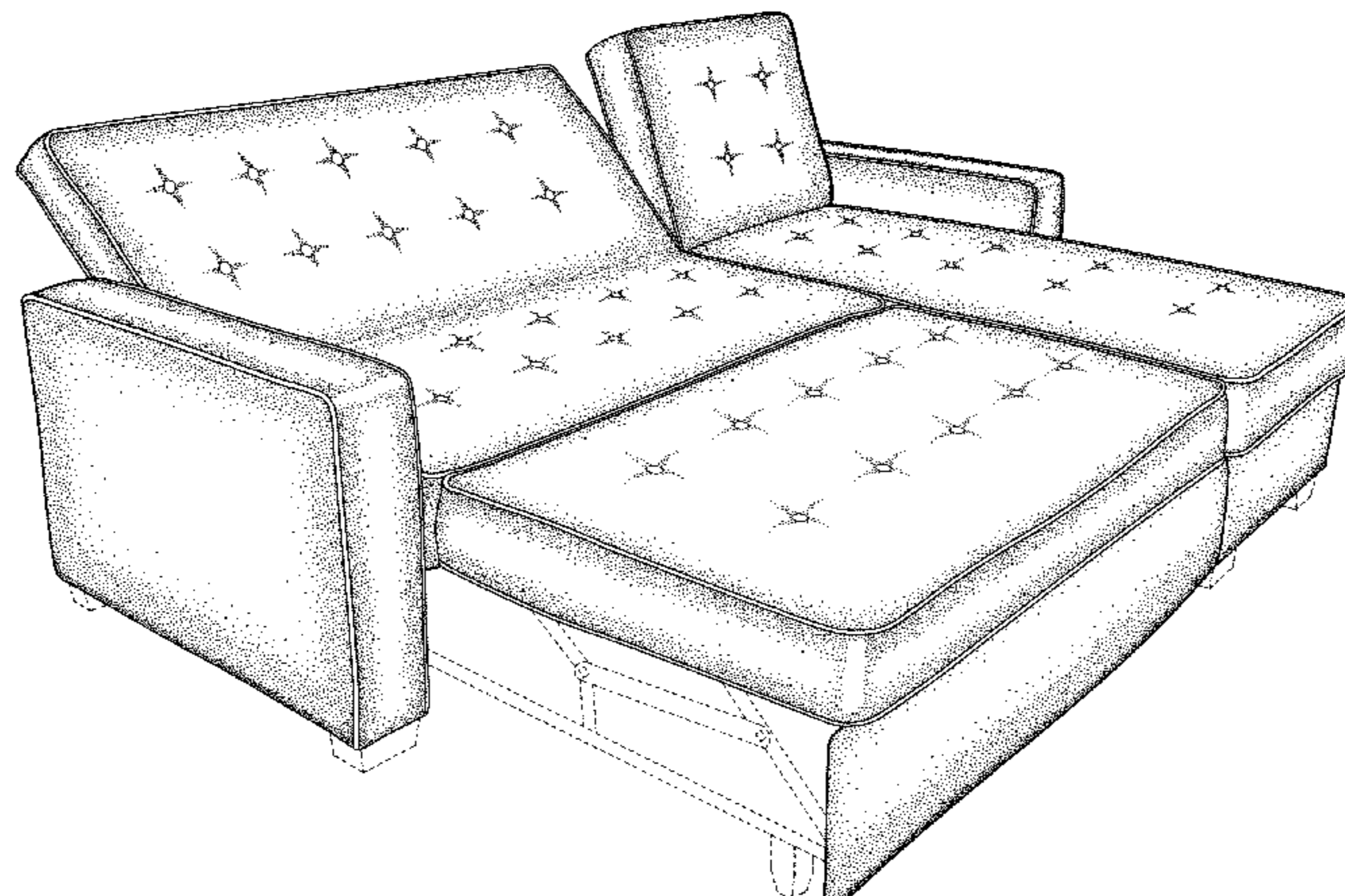


FIG. 10 is a front view of the convertible sofa bed with separate chaise lounge, with the sofa bed and chaise lounge being in a sofa position;

FIG. 11 is a back view of the convertible sofa bed with separate chaise lounge, with the sofa bed and chaise lounge being in a sofa position;

FIG. 12 is a side view of the convertible sofa bed with separate chaise lounge, with the sofa bed and chaise lounge being in a sofa position;

FIG. 13 is a side view of the convertible sofa bed with separate chaise lounge, with the sofa bed and chaise lounge being in a sofa position;

FIG. 14 is a side view of the convertible sofa bed with separate chaise lounge, with the sofa bed and chaise lounge seat backs positioned between a sofa position and a bed position;

FIG. 15 is a side view of the convertible sofa bed with separate chaise lounge, with the sofa bed and chaise lounge seat backs positioned between a sofa position and a bed position;

FIG. 16 is a side view of the convertible sofa bed with separate chaise lounge, with the sofa bed and chaise lounge seat backs positioned between a sofa position and a bed position;

FIG. 17 is a side view of the convertible sofa bed with separate chaise lounge, with the sofa bed and chaise lounge seat backs positioned in a bed position;

FIG. 18 is a side view of the convertible sofa bed with separate chaise lounge, with the sofa bed seat back positioned in a bed position and the chaise lounge seat back in a sofa position;

FIG. 19 is a side view of the convertible sofa bed with separate chaise lounge, with the sofa bed seat back positioned in a sofa position and the chaise lounge seat back in a recline position;

FIG. 20 is a side view of the convertible sofa bed with separate chaise lounge, with the sofa bed seat back positioned in a recline position and the chaise lounge seat back in a sofa position;

FIG. 21 is a top view of the convertible sofa bed with separate chaise lounge, with the seat backs of the sofa bed and chaise lounge being in a bed position and the separate pull-out bed in a set up bed position;

FIG. 22 is a bottom view of the convertible sofa bed with separate chaise lounge, with the seat backs of the sofa bed and chaise lounge being in a bed position and the separate pull-out bed in a set up bed position;

FIG. 23 is a front perspective view of the convertible sofa bed with separate chaise lounge, with the sofa bed and chaise lounge being in a sofa position and detached from one another, and with the chaise lounge positioned to the left of the sofa bed rather than to the right;

FIG. 24 is a front perspective view of the convertible sofa bed with separate chaise lounge, with the sofa bed and chaise lounge being in a sofa position, without cording; and,

FIG. 25 is a front perspective view of the convertible sofa bed with separate chaise lounge, with the sofa bed and chaise lounge being in a sofa position; without cording and without decorative buttons on the cushions.

The broken lines shown in the drawings are for illustrative purposes only and form no part of the claimed design.

1 Claim, 25 Drawing Sheets

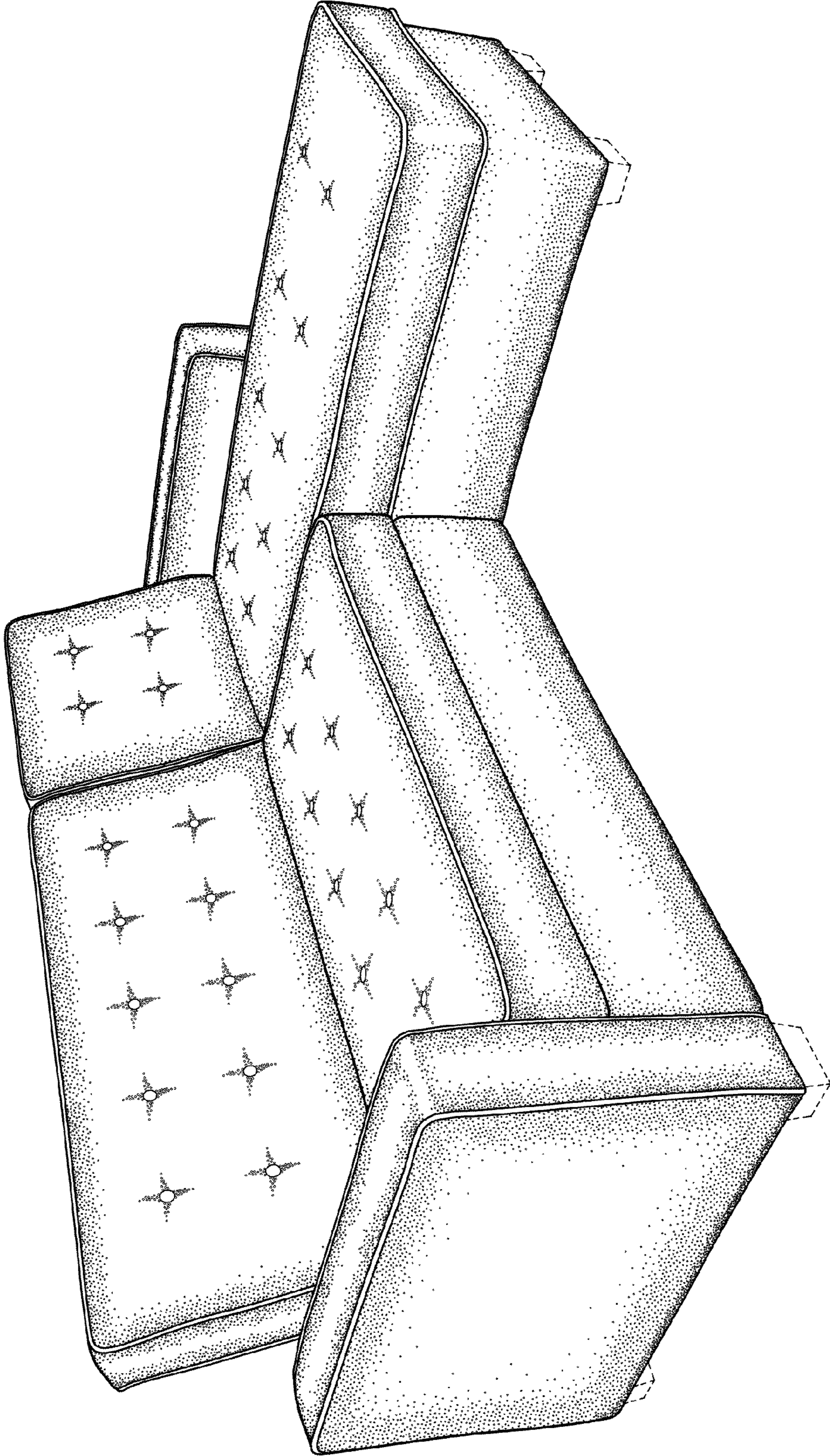


FIG. 1

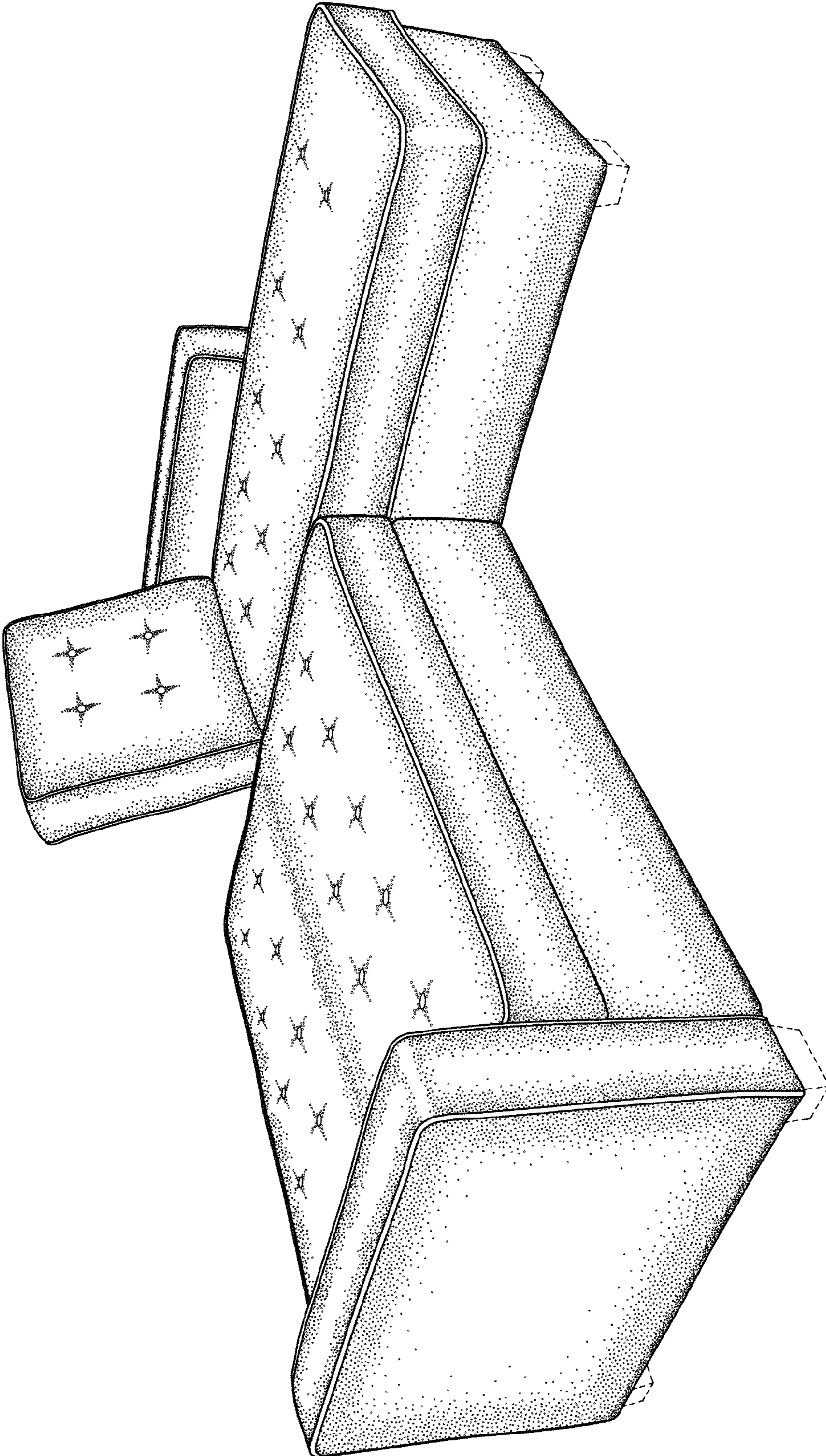


FIG. 2

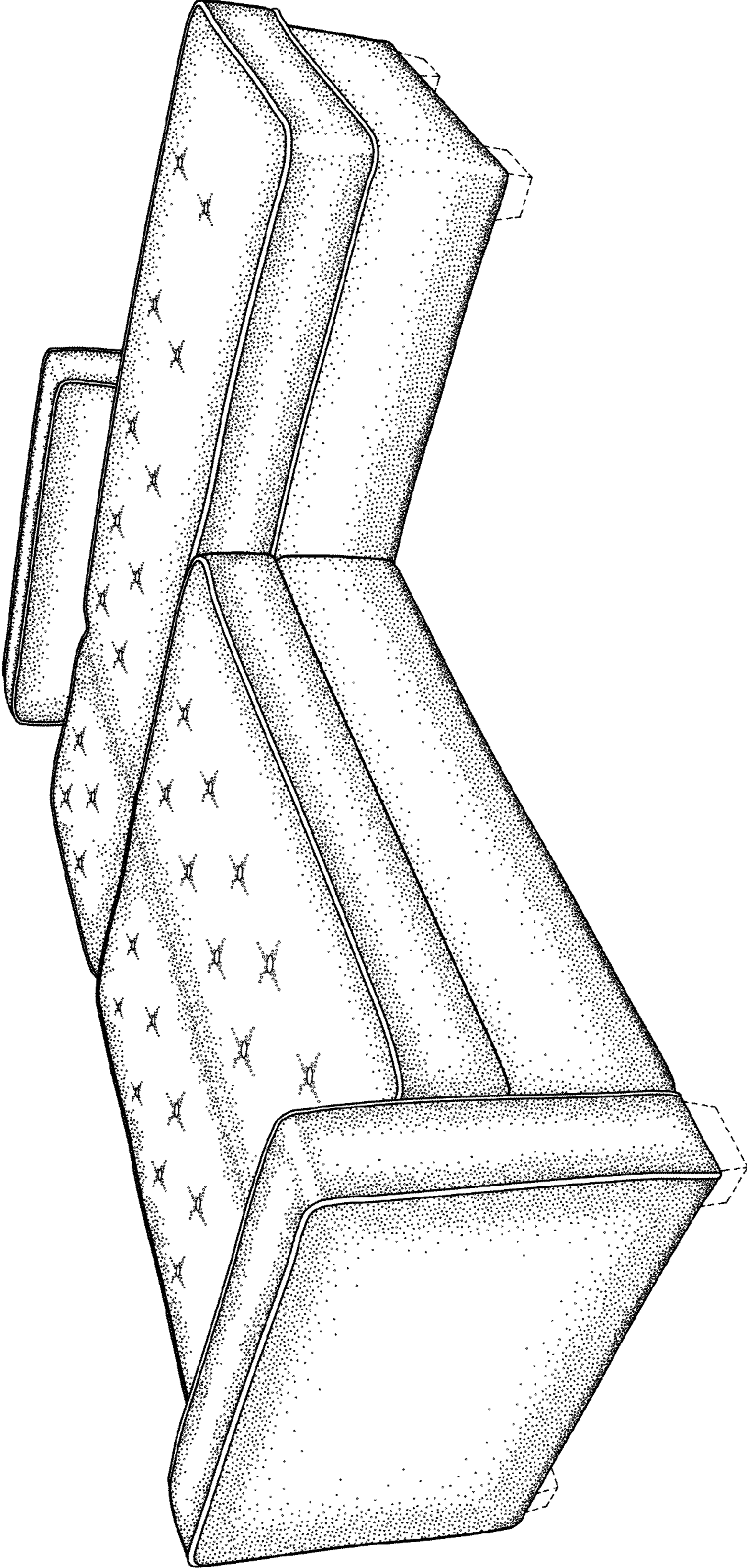


FIG. 3

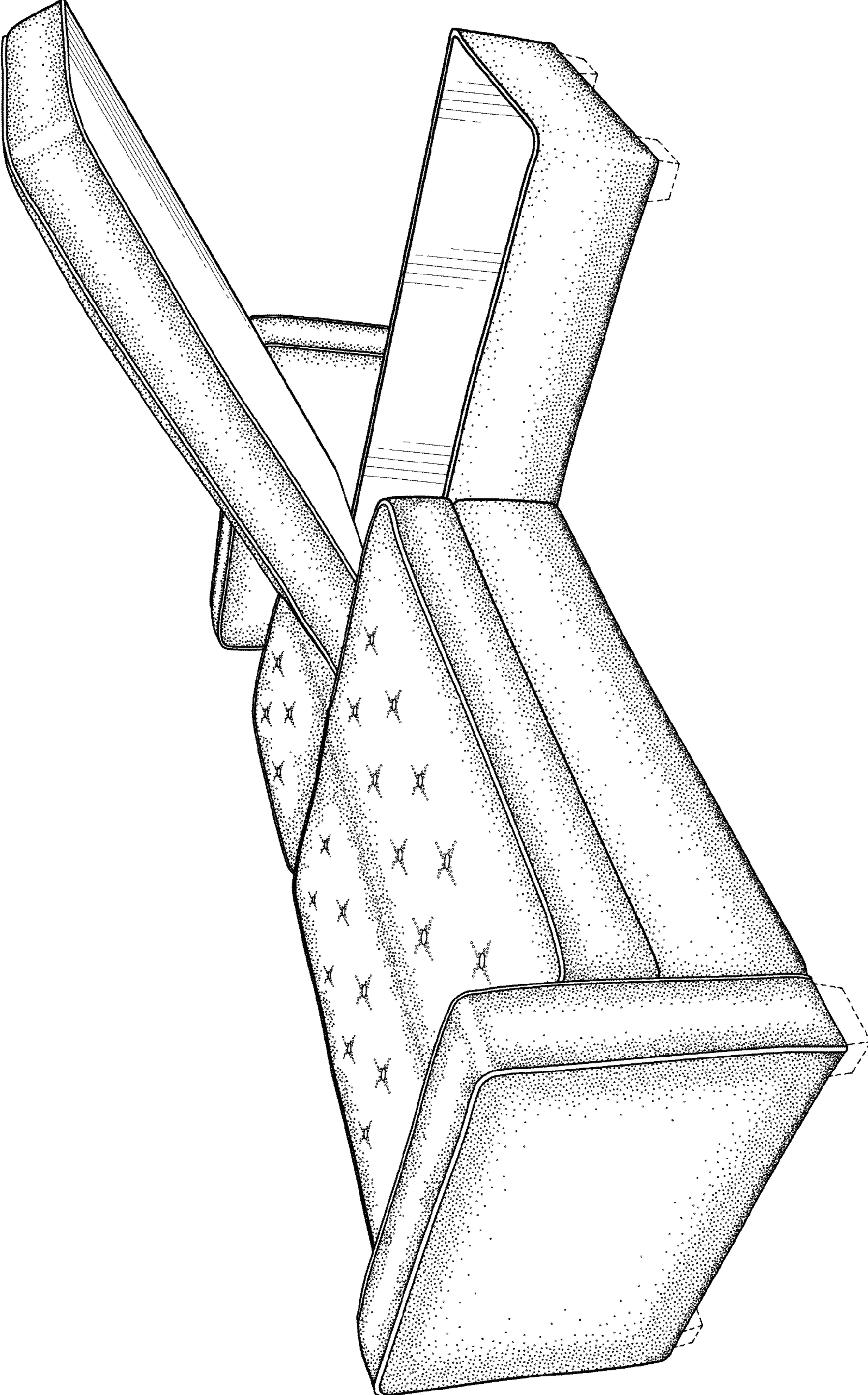


FIG. 4

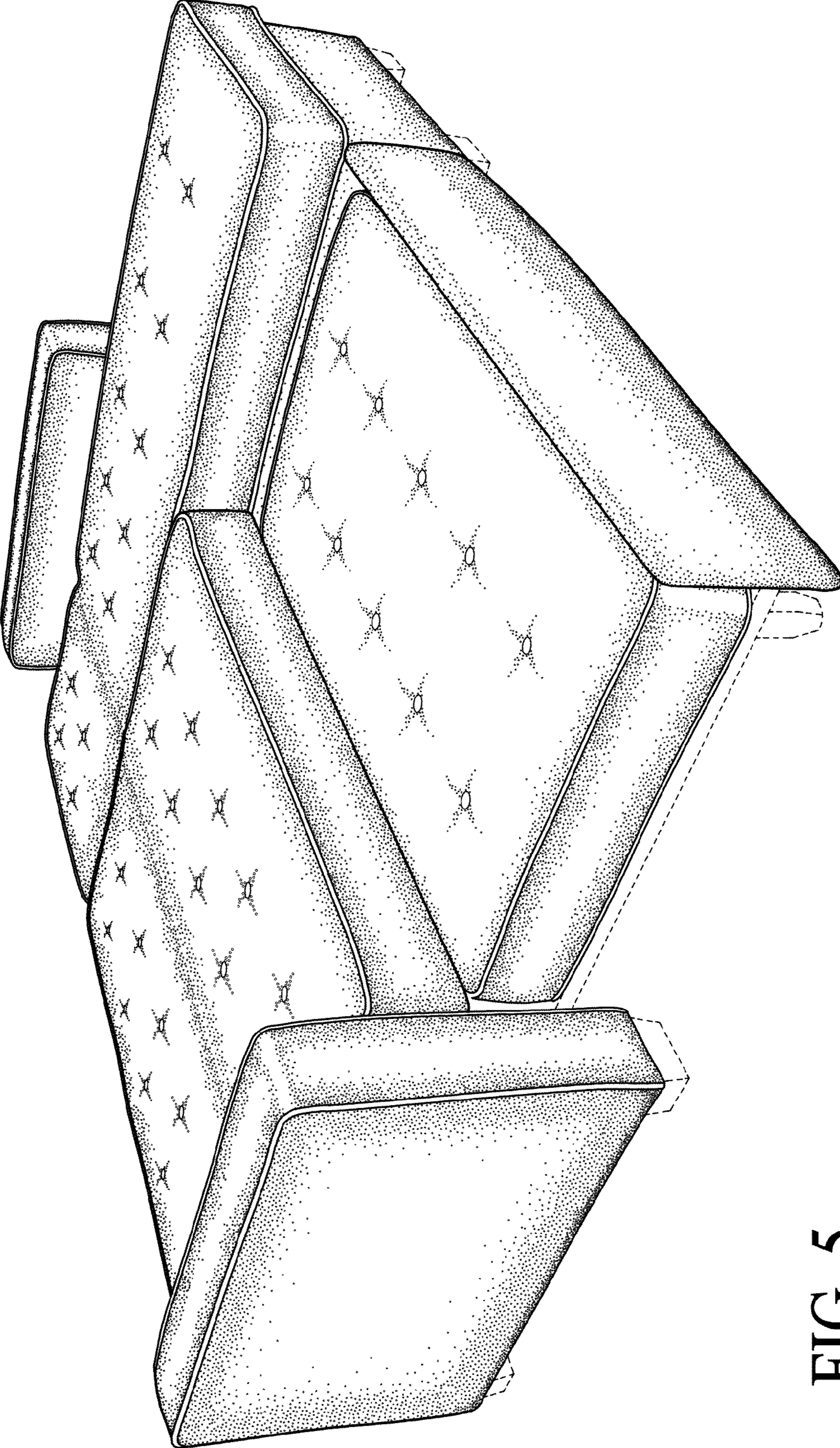


FIG. 5

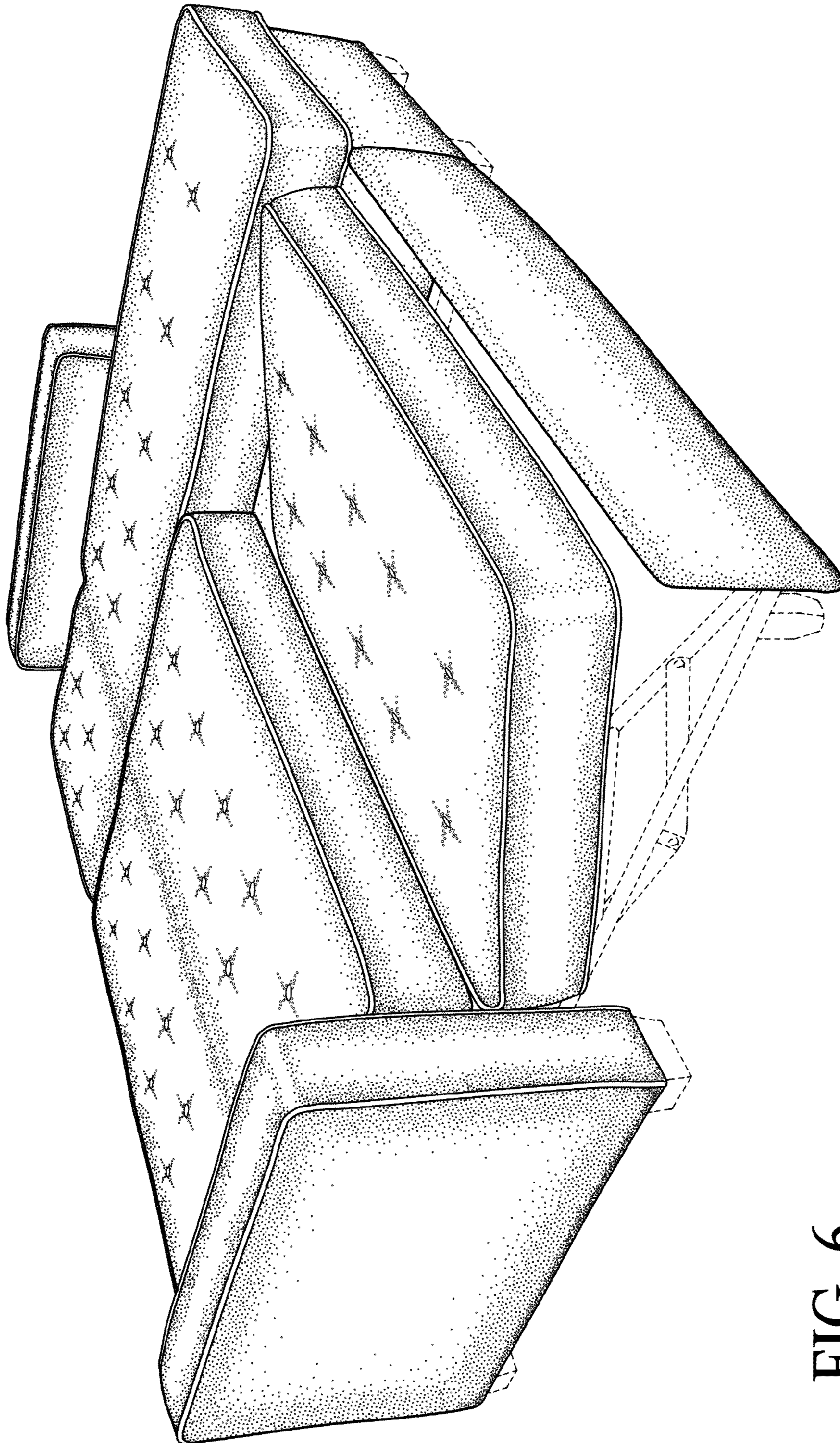


FIG. 6

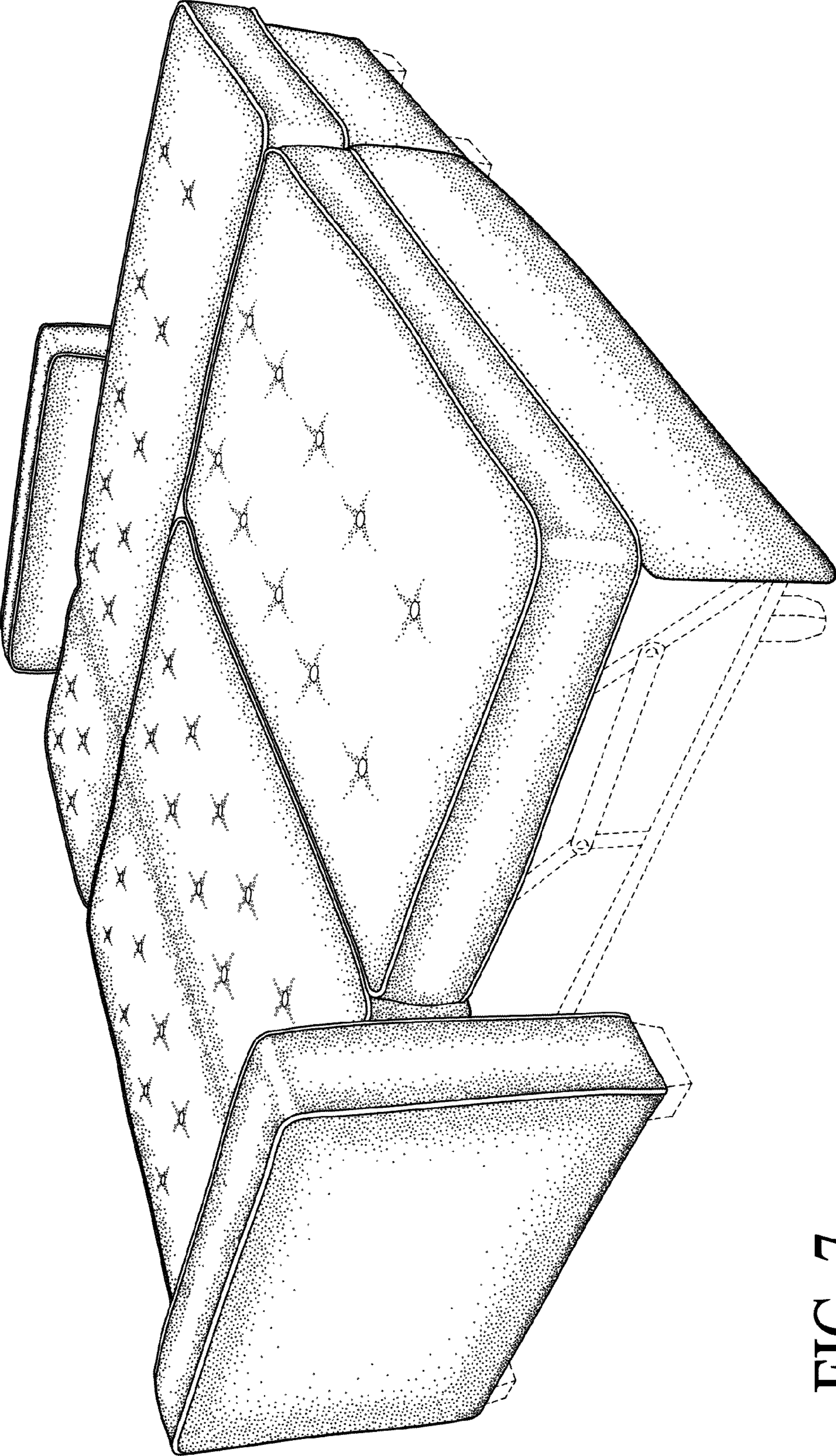


FIG. 7

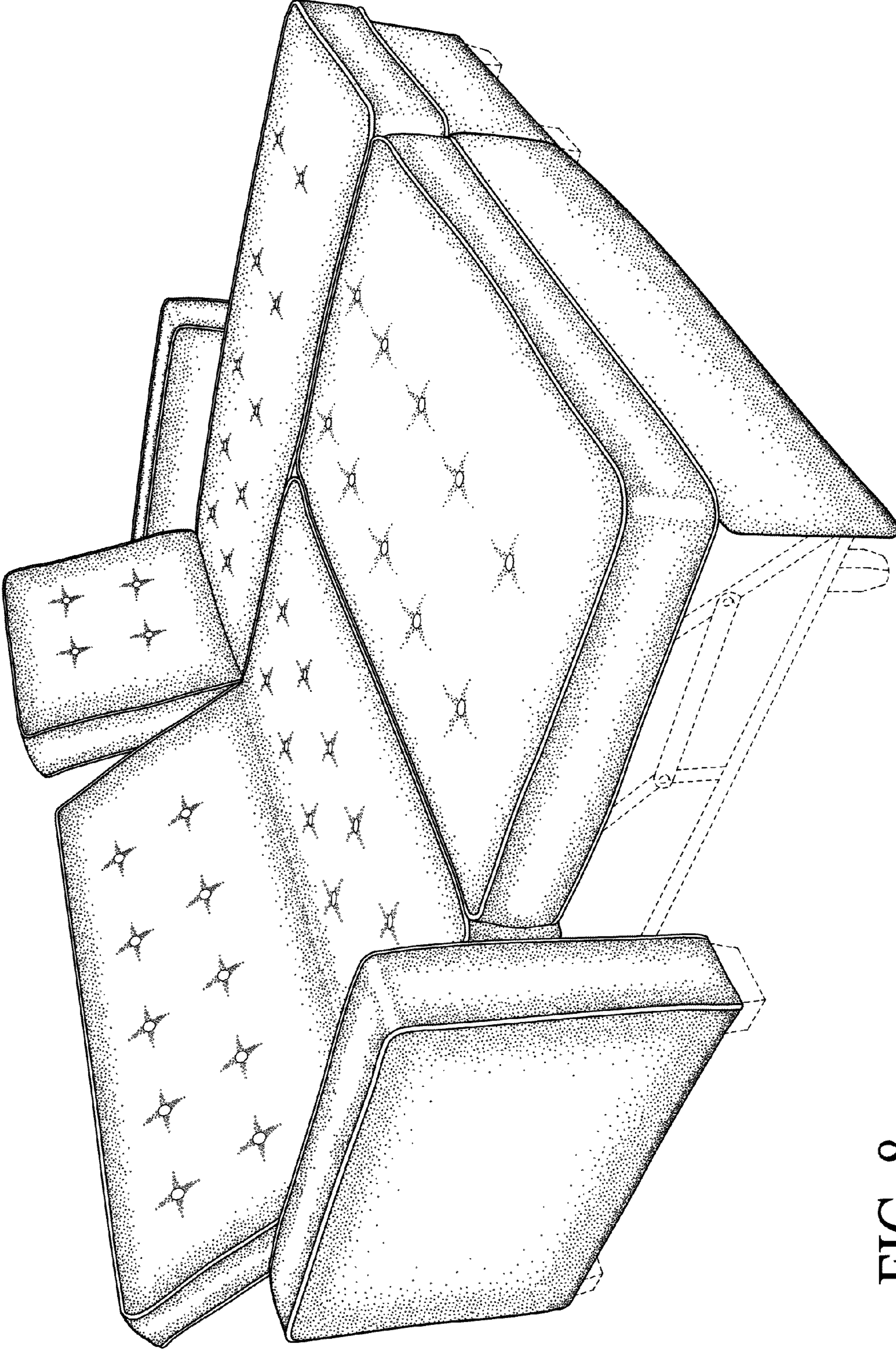


FIG. 8

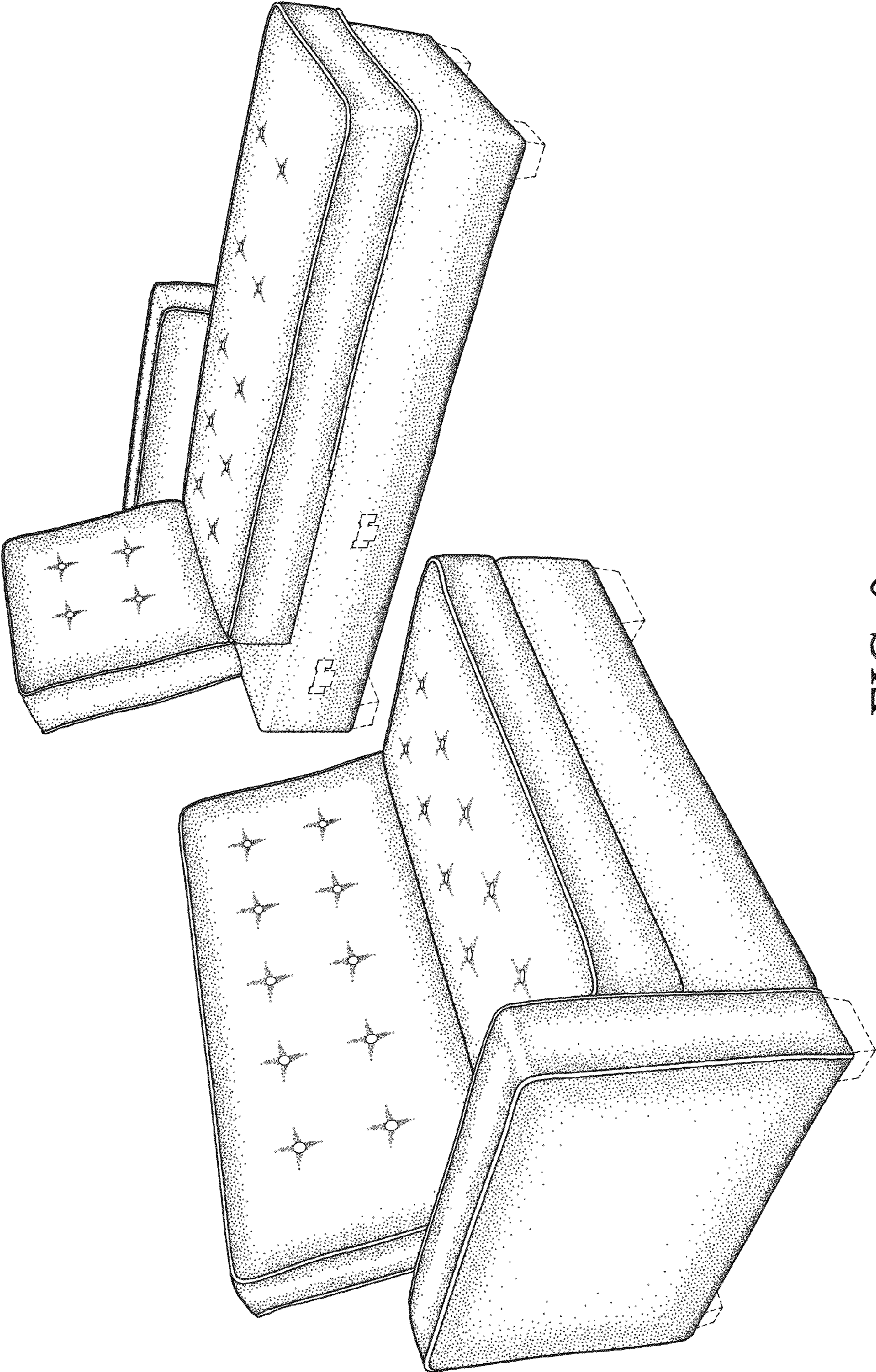


FIG. 9

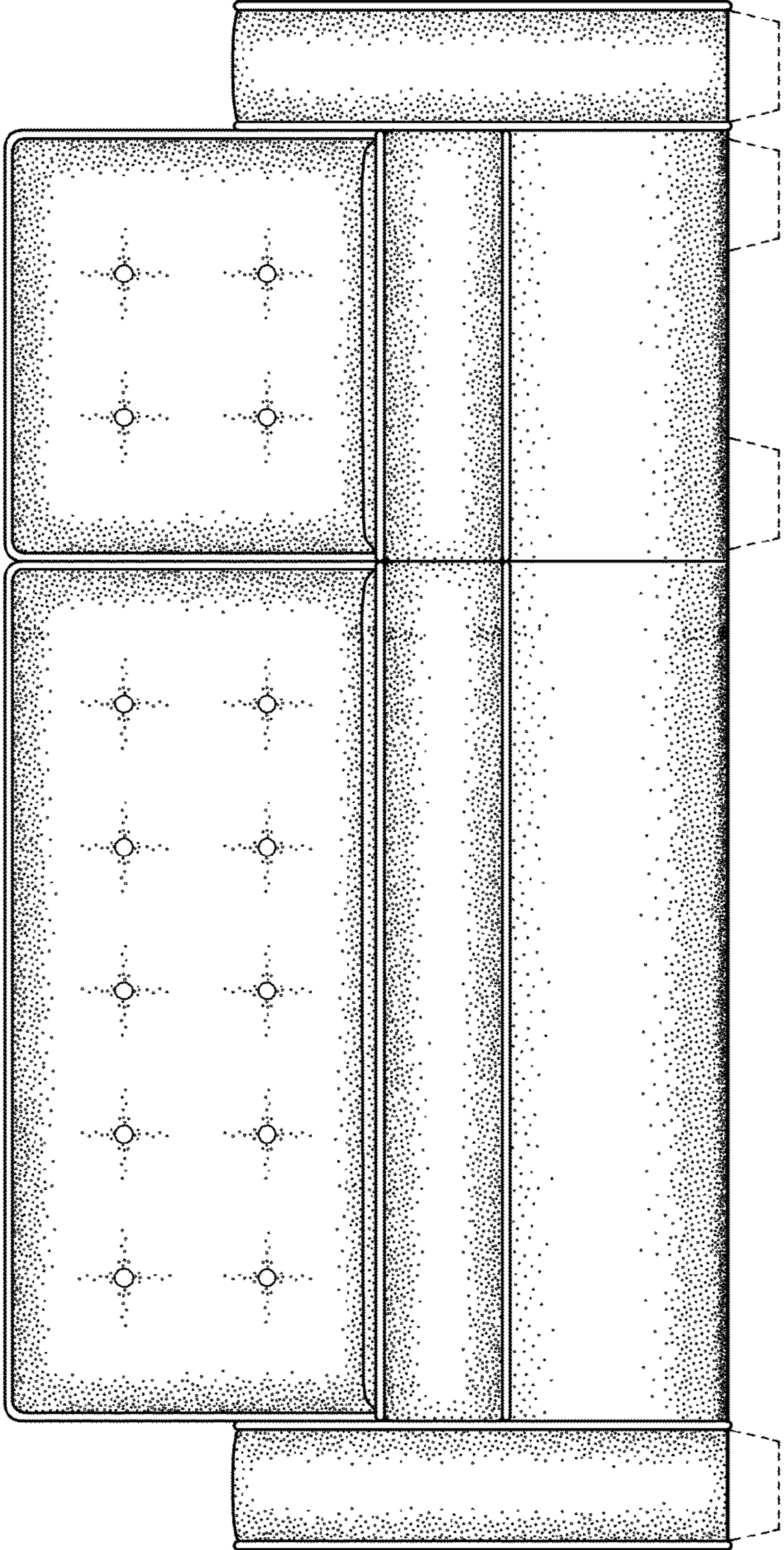


FIG. 10

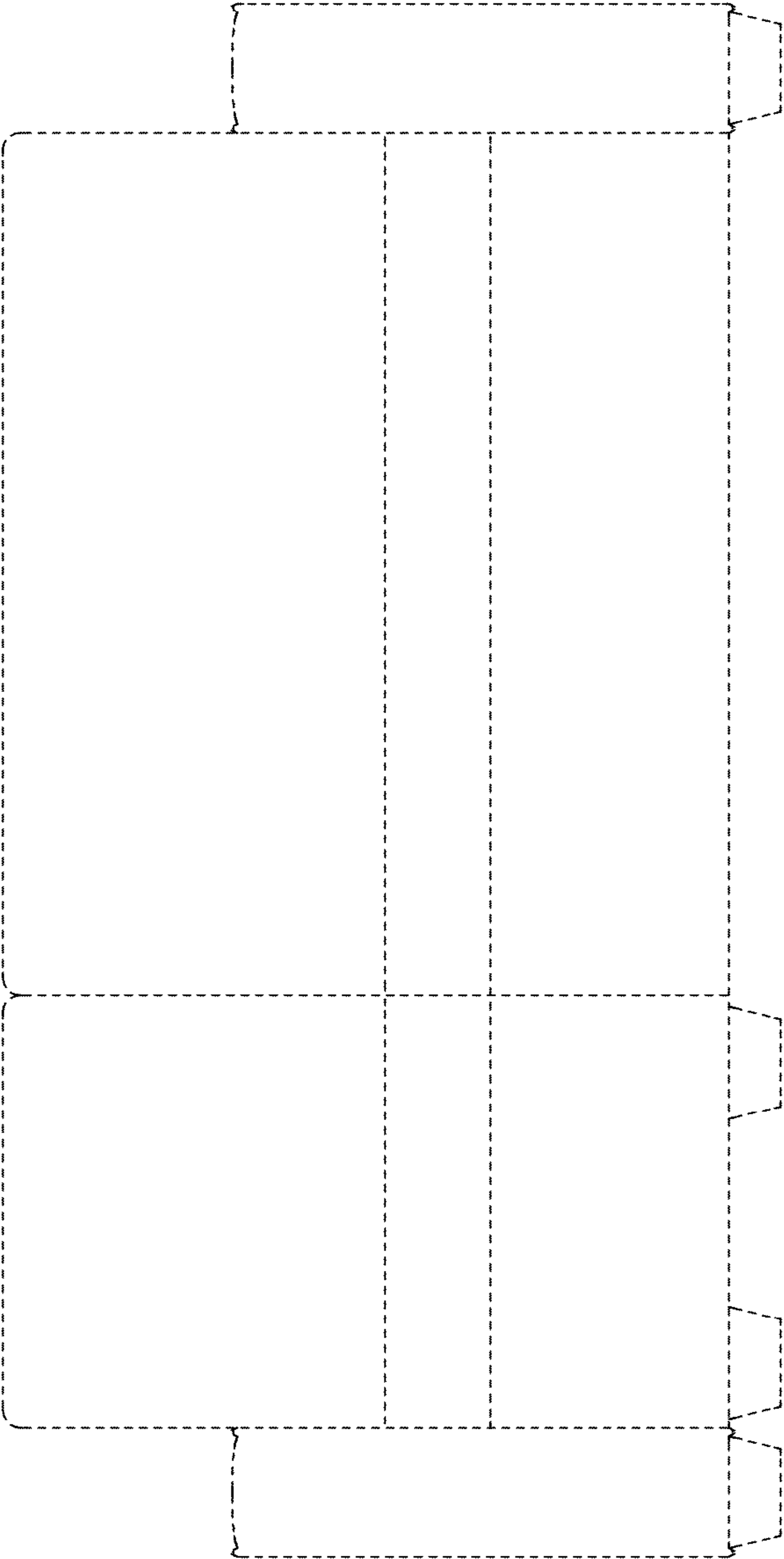


FIG. 11

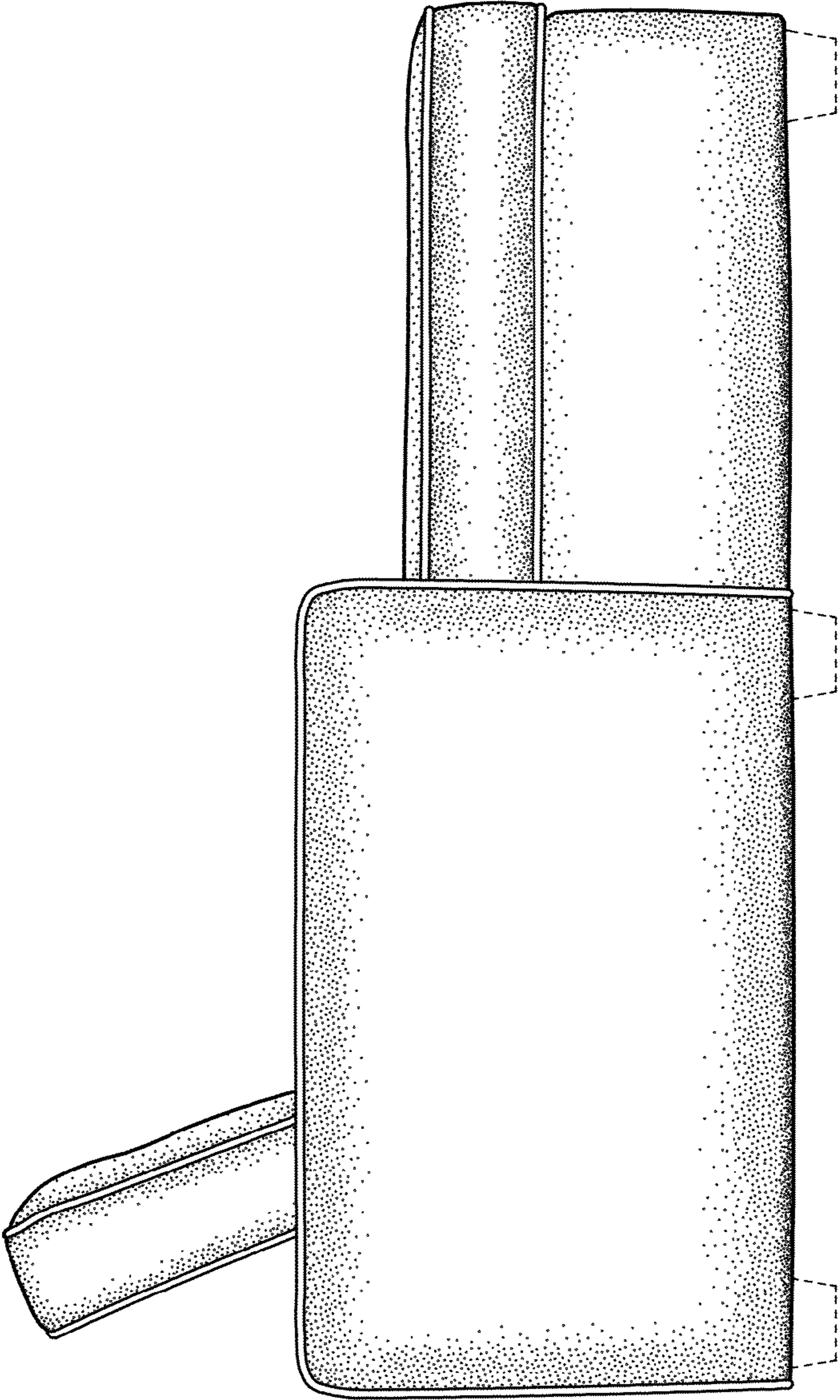


FIG. 12

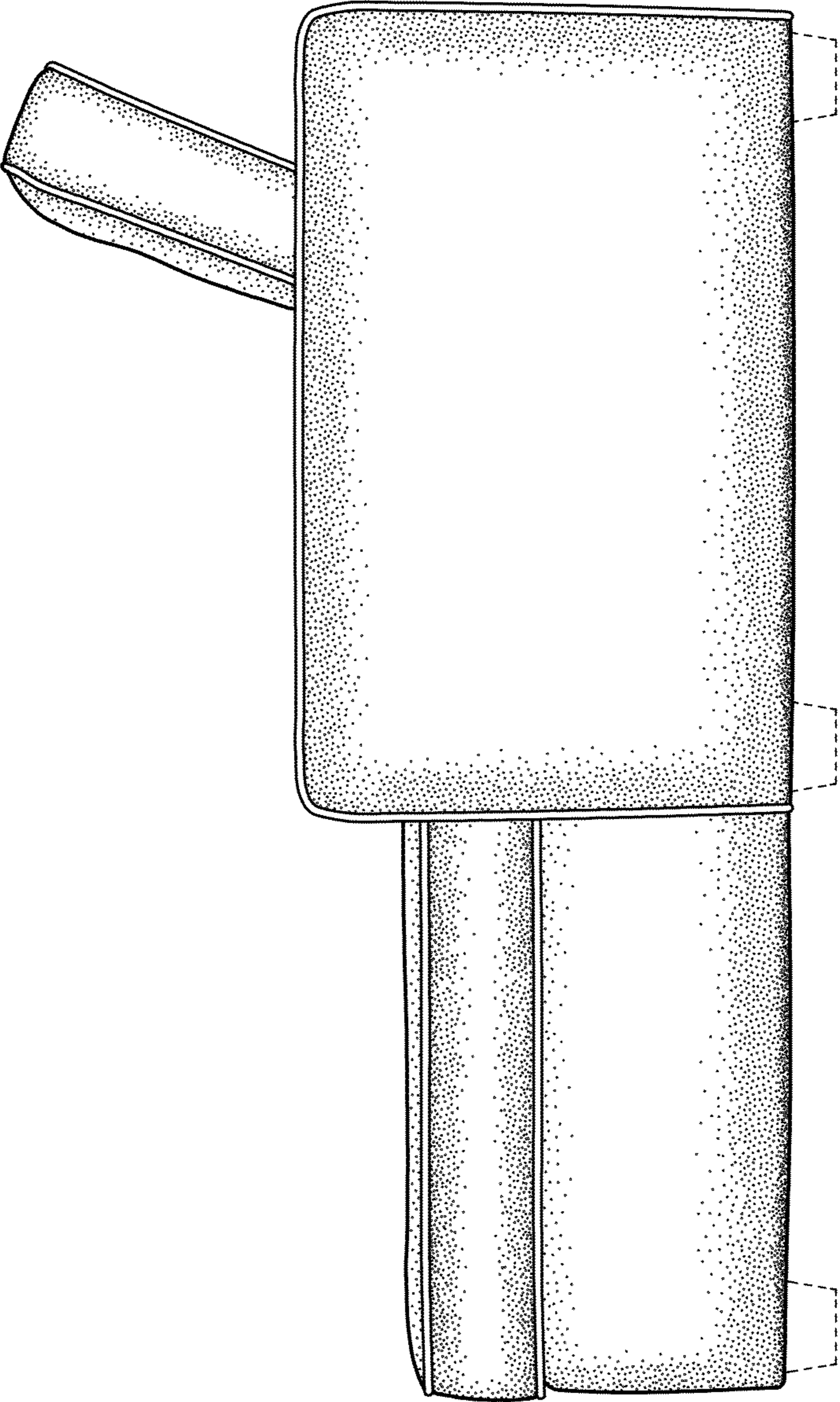


FIG. 13

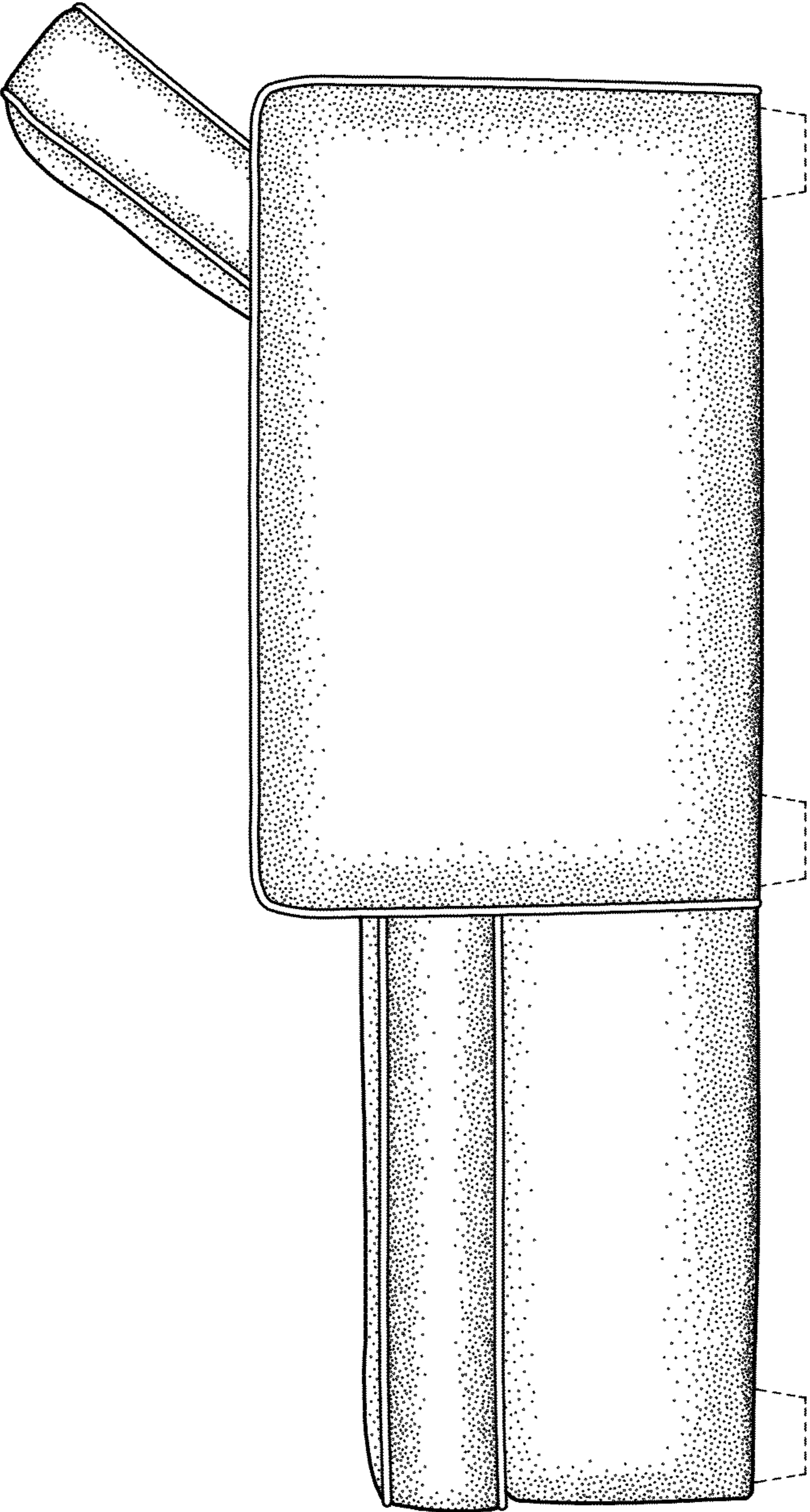


FIG. 14

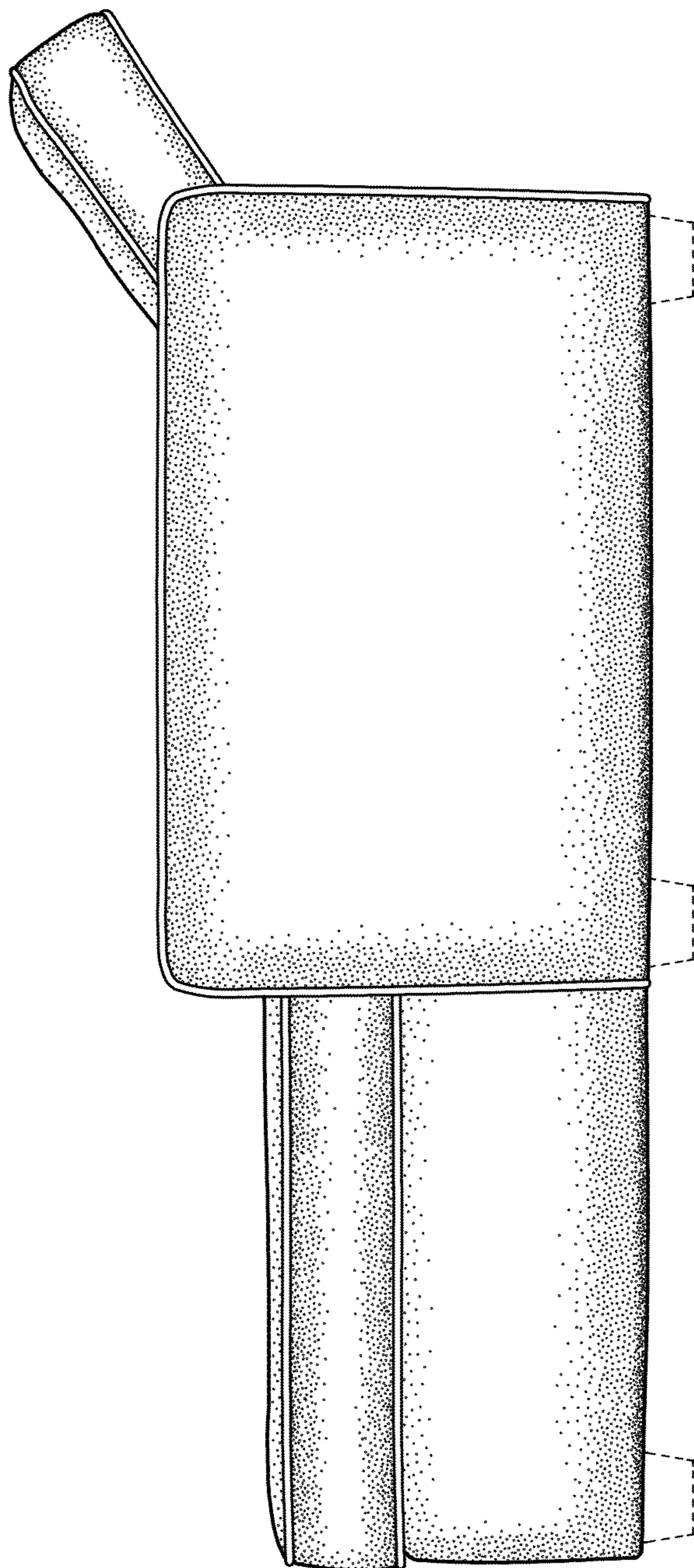


FIG. 15

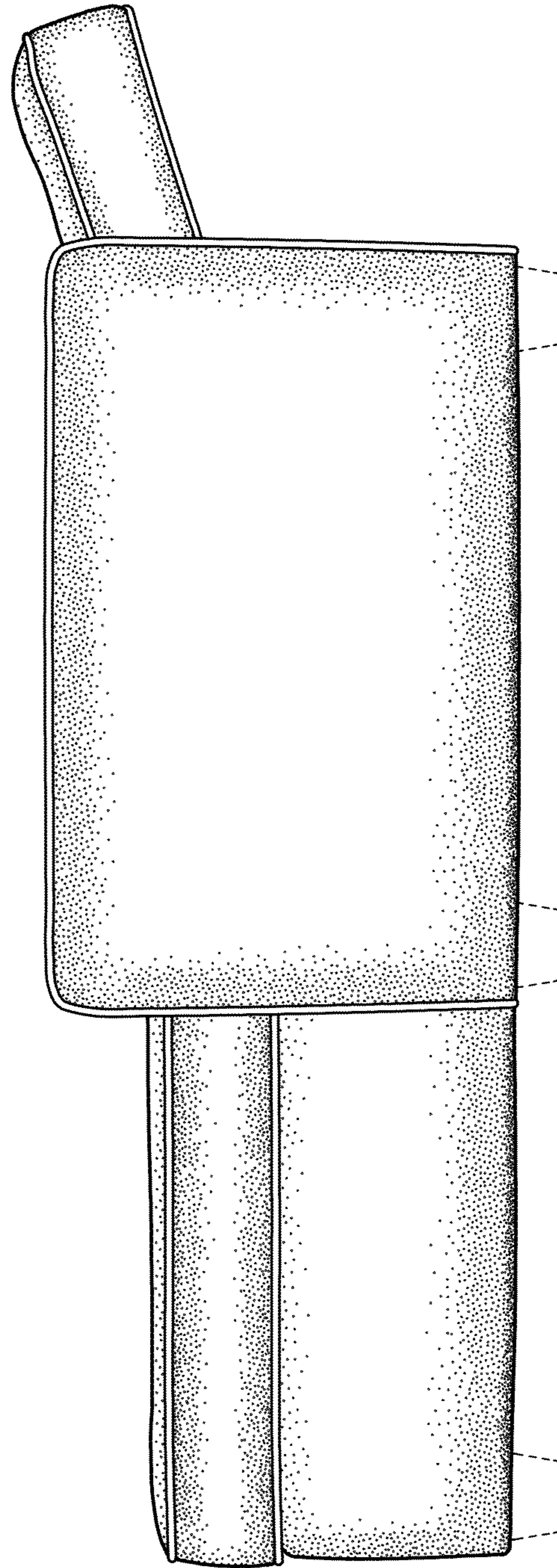


FIG. 16

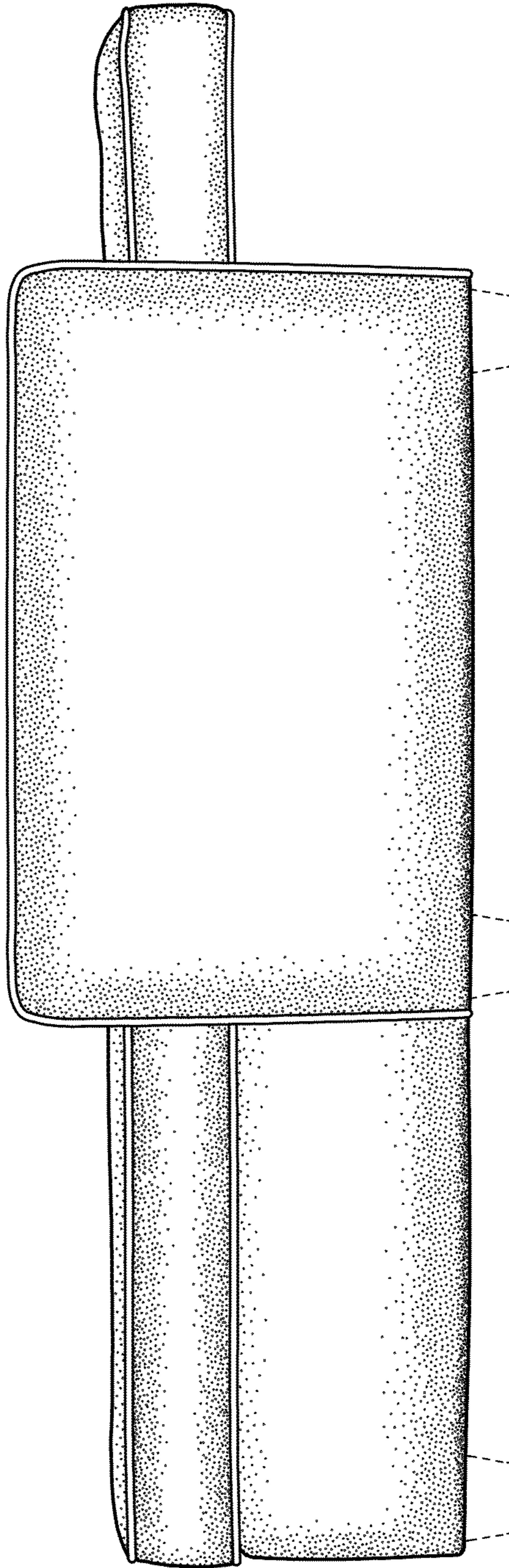


FIG. 17

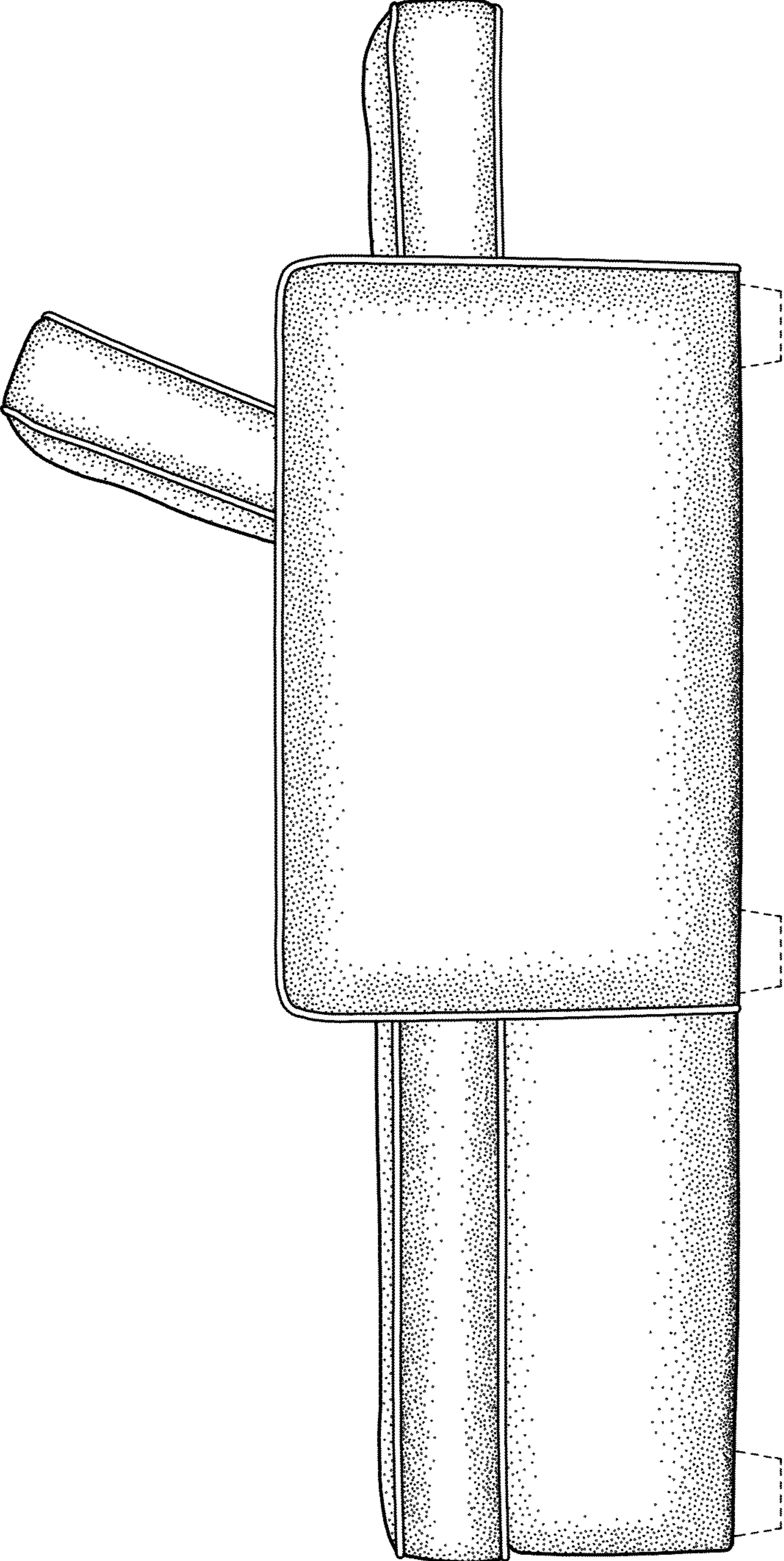


FIG. 18

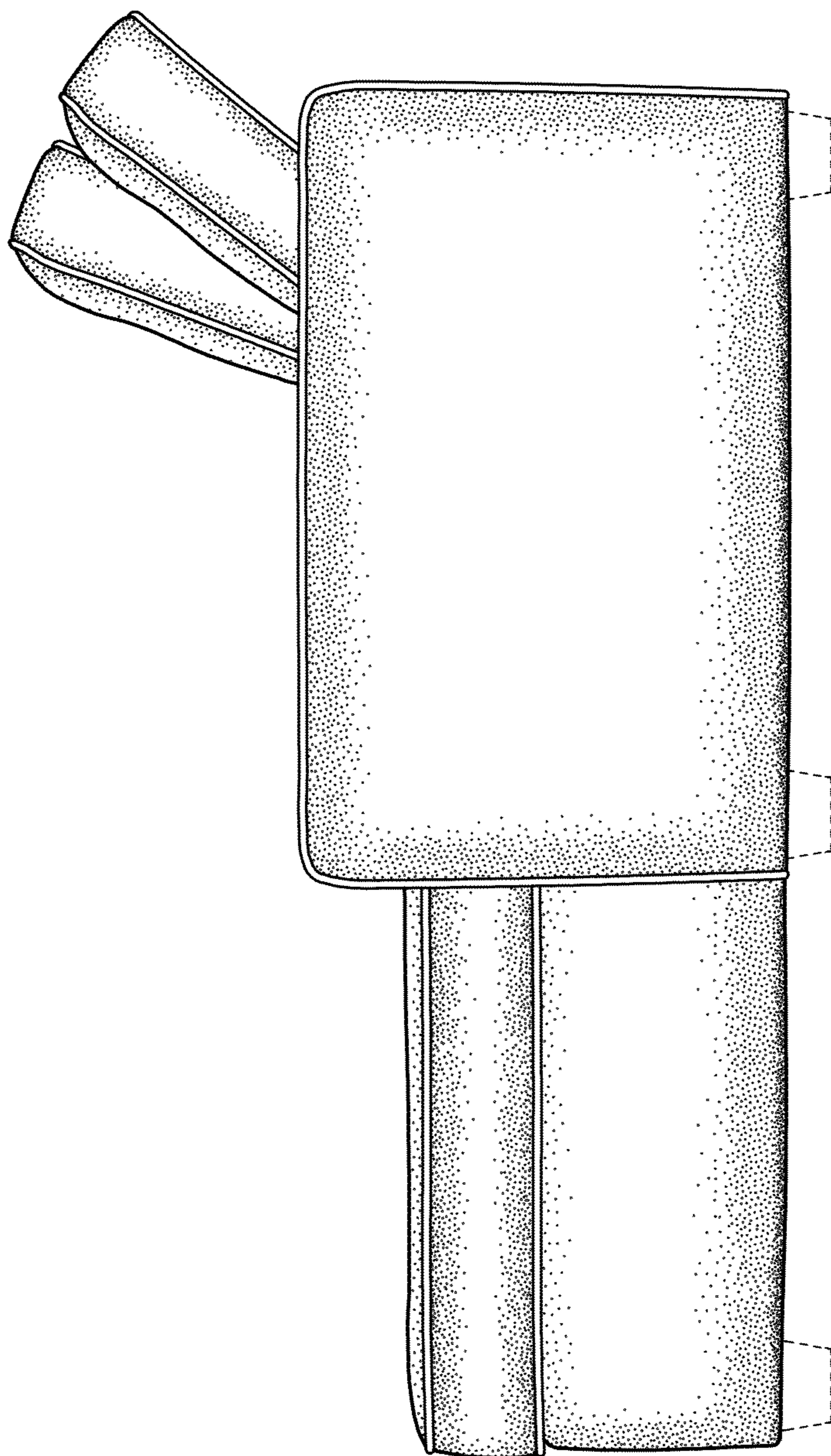


FIG. 19

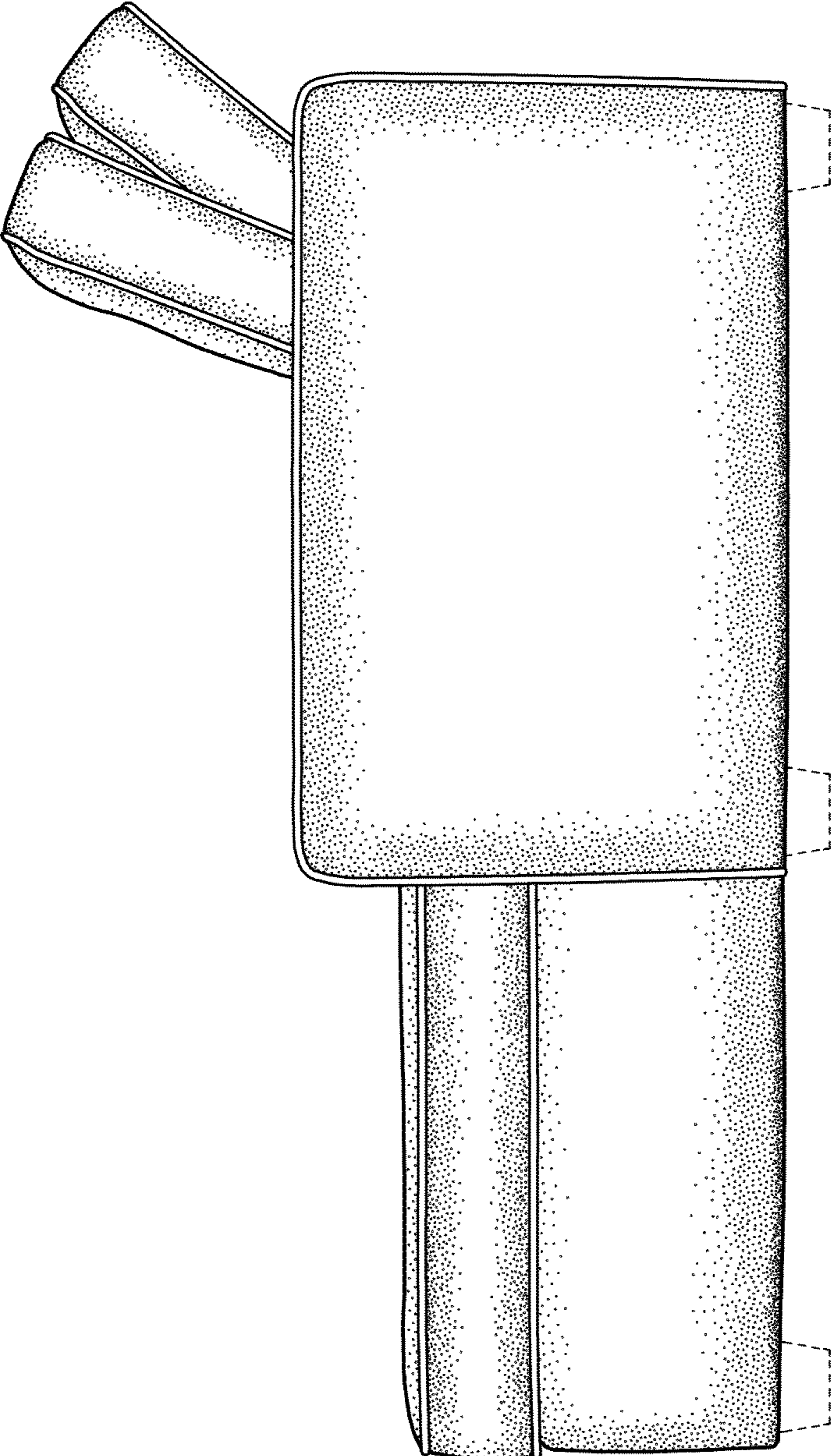


FIG. 20

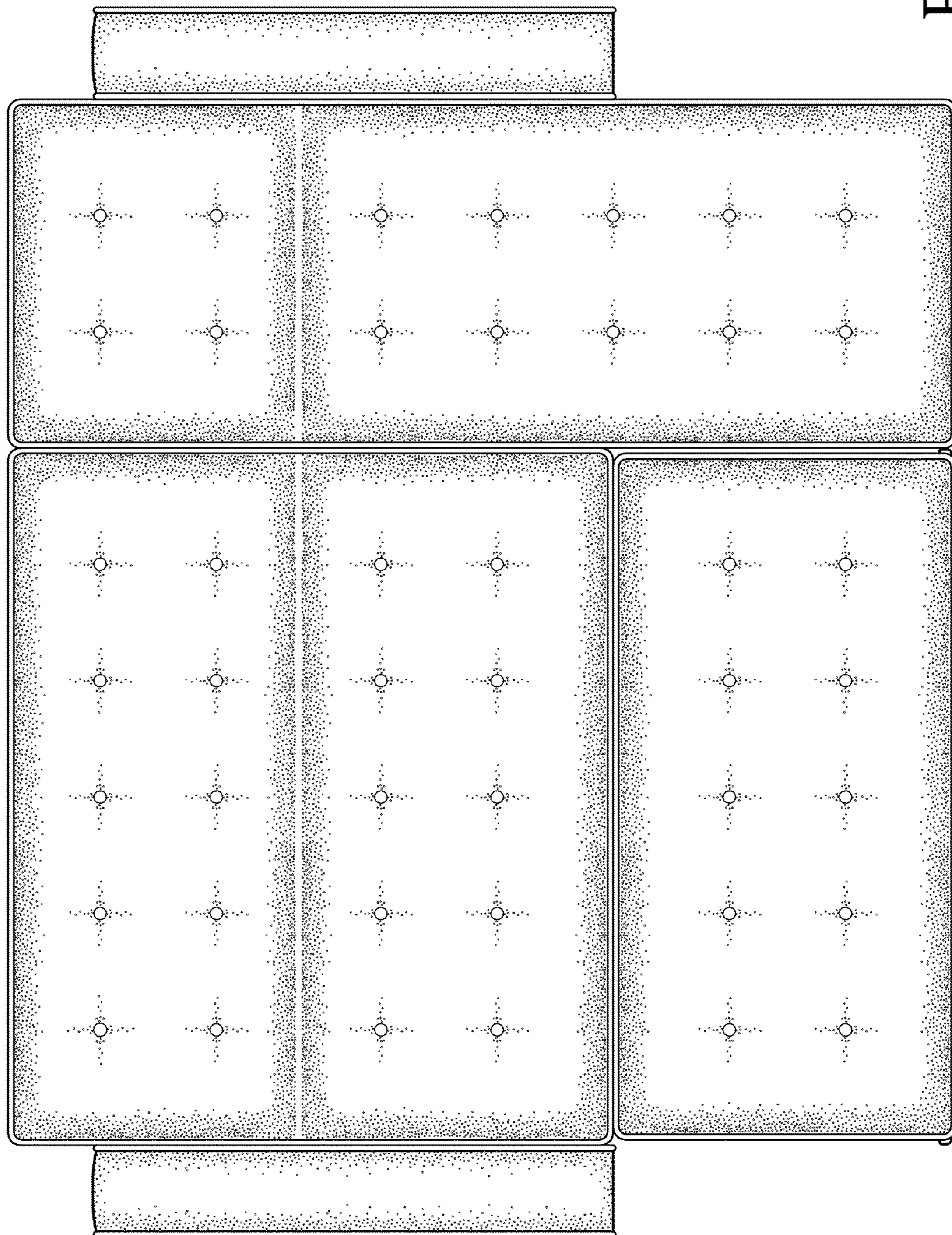


FIG. 21

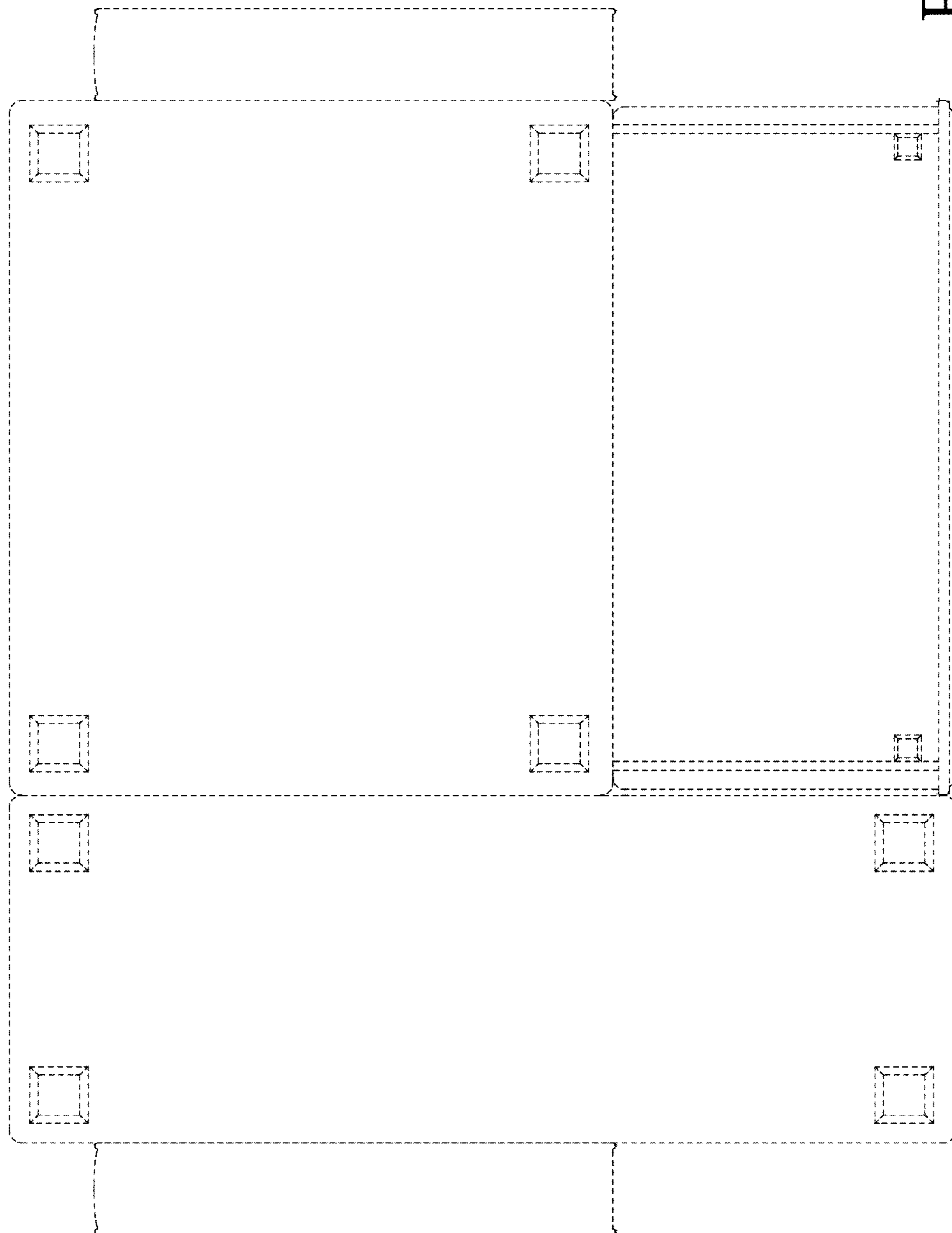


FIG. 22

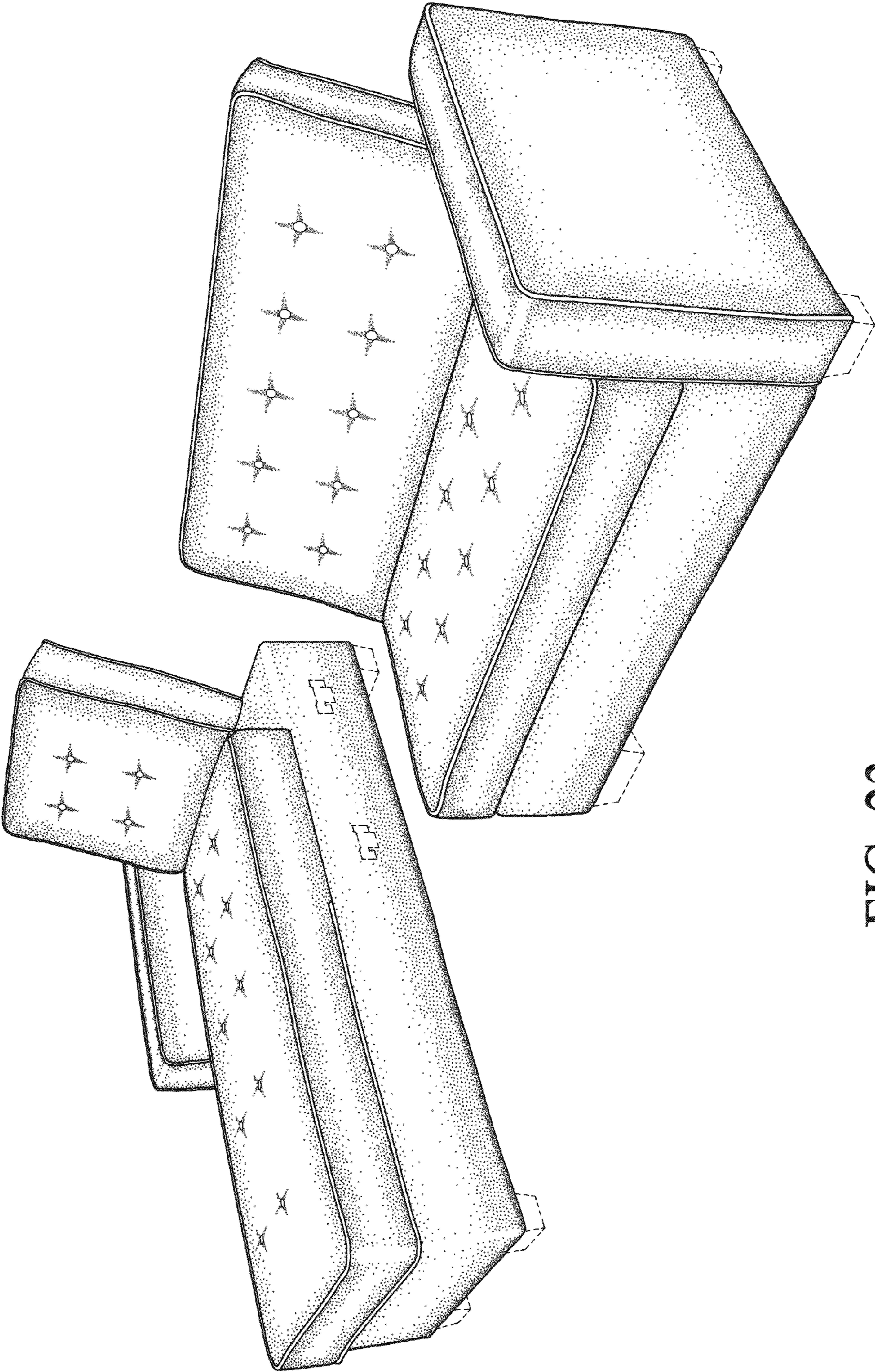


FIG. 23

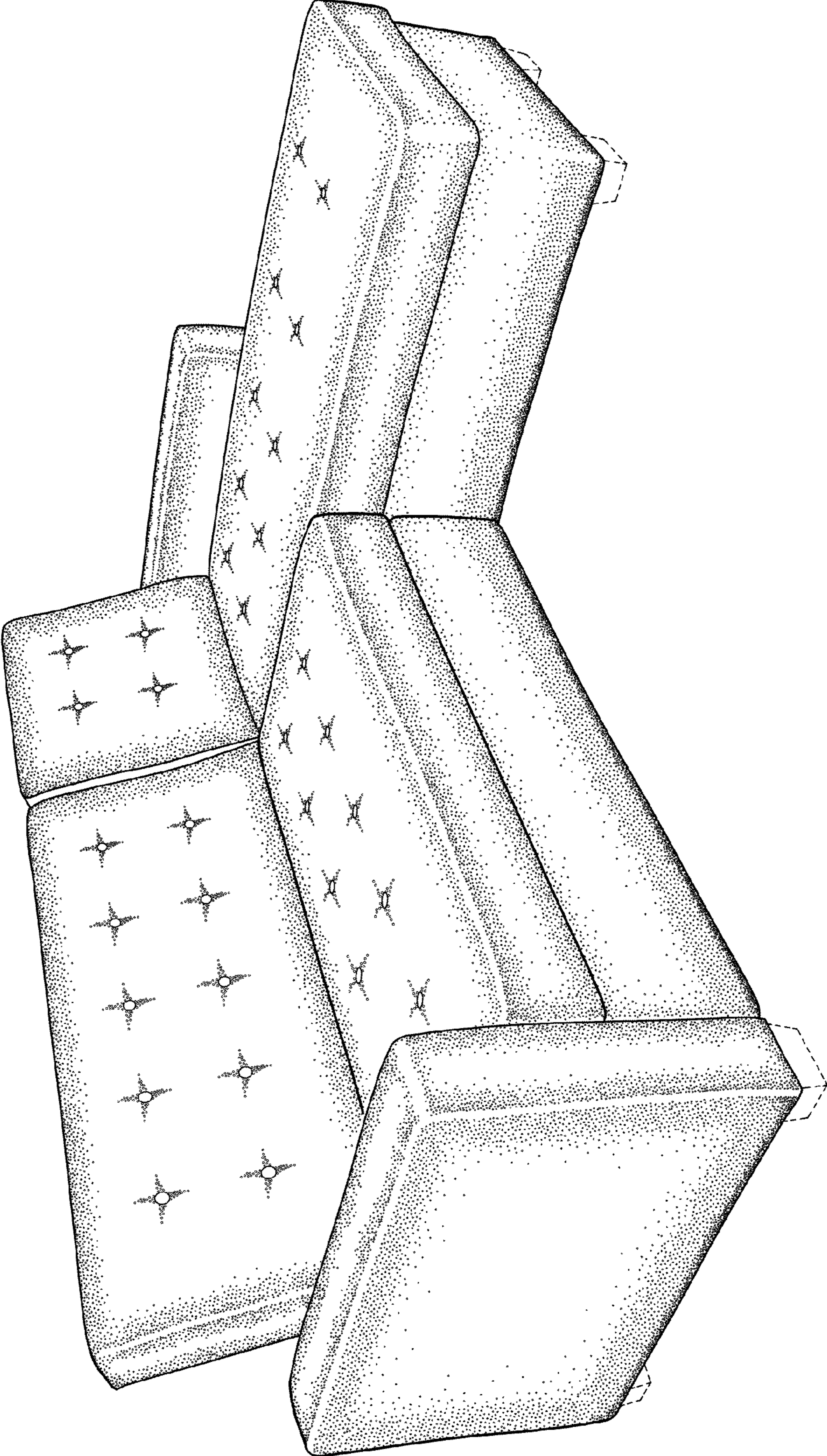


FIG. 24

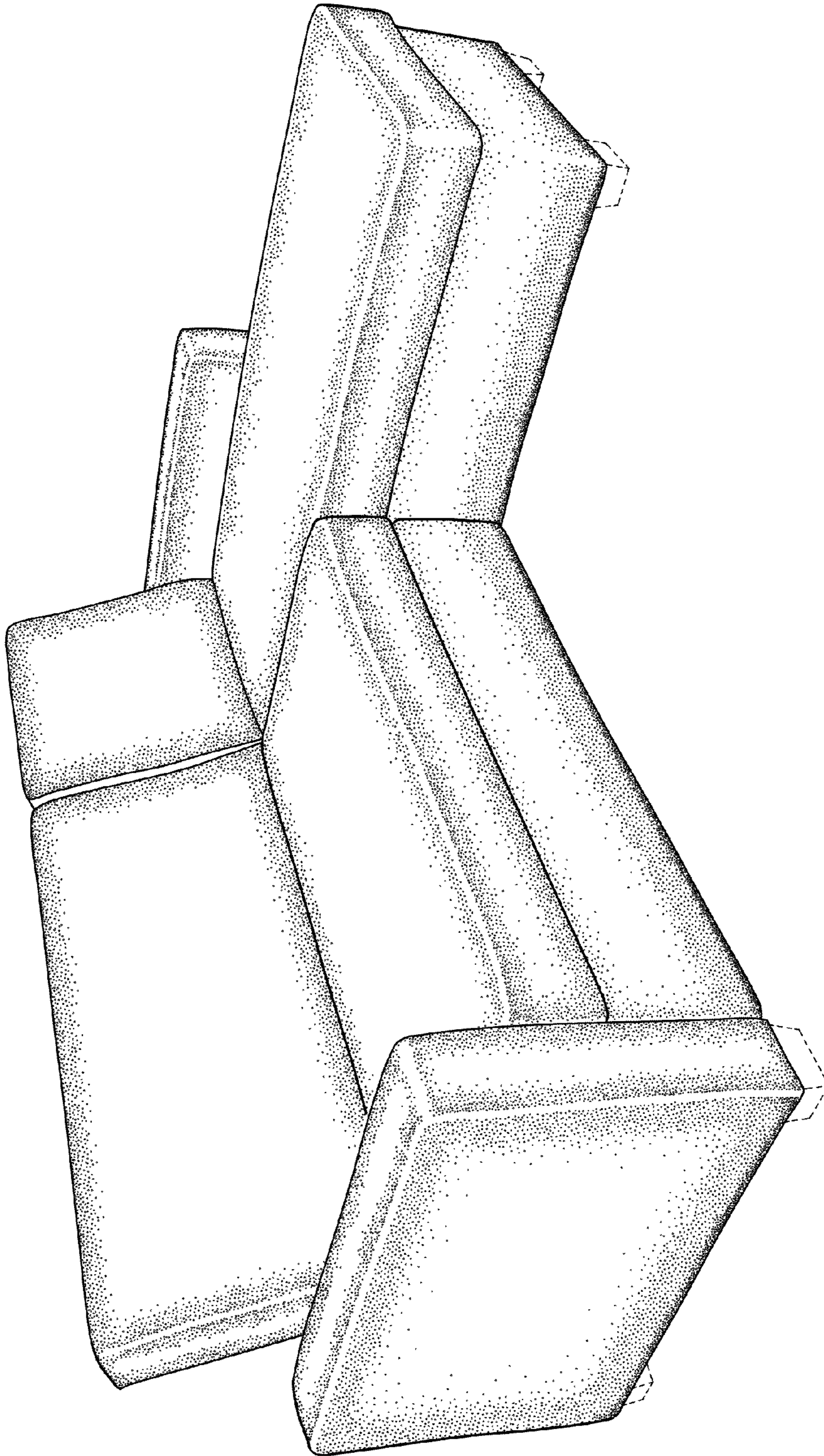


FIG. 25