



US00D720940S

(12) **United States Design Patent**
Shevach

(10) **Patent No.:** **US D720,940 S**
(45) **Date of Patent:** **** Jan. 13, 2015**

(54) **FOLDABLE CARTON ARMCHAIR**
(71) Applicant: **Ariel Shevach**, Karnei Shomron (IL)
(72) Inventor: **Ariel Shevach**, Karnei Shomron (IL)
(**) Term: **14 Years**
(21) Appl. No.: **29/493,453**
(22) Filed: **Jun. 10, 2014**
(51) **LOC (10) Cl.** **06-01**
(52) **U.S. Cl.**
USPC **D6/368**
(58) **Field of Classification Search**
CPC A47C 1/16; A47C 5/005; A47C 7/16
USPC D6/334-336, 368, 371-374, 375, 379,
D6/380, 716, 716.1, 716.2, 716.3, 716.4;
297/350, 351, 440.12, 452.12
See application file for complete search history.

4,385,782 A * 5/1983 Clark, Jr. A47C 5/005
4,648,658 A * 3/1987 Calco A47C 5/005
4,875,737 A * 10/1989 Cardenas A47C 5/005
4,984,848 A * 1/1991 Scalisi et al. A47C 5/005
D352,182 S * 11/1994 Yoshimura D6/368
5,445,435 A * 8/1995 Sheckles A47C 5/005

* cited by examiner

Primary Examiner — Mimoso De
(74) *Attorney, Agent, or Firm* — Blue Filament Law PLLC;
Avery N. Goldstein

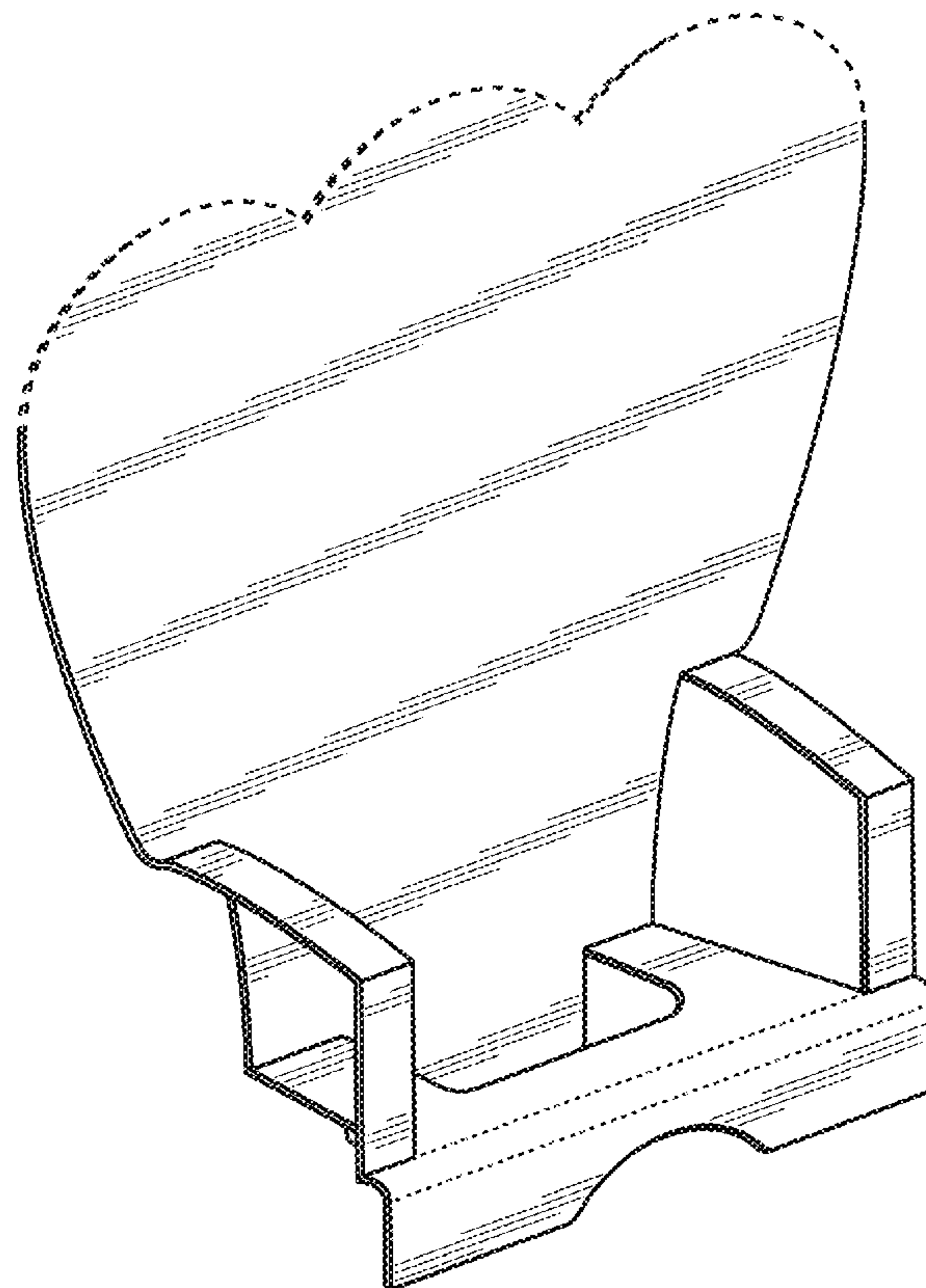
(57) **CLAIM**
I claim, the ornamental design for a foldable carton armchair,
as shown and described.

DESCRIPTION

FIG. 1 is a top perspective view of the foldable carton armchair, showing my new design;
FIG. 2 is a top perspective view thereof when flattened;
FIG. 3 is a front side elevation view thereof;
FIG. 4 is a top plan view thereof;
FIG. 5 is a side elevation view thereof; and,
FIG. 6 is a back side elevation view thereof.
The broken lines shown in FIGS. 1, 2, and 4 showing of the top border and folding lines of the foldable carton armchair is for illustrative purposes only and form no part of the claimed design.

(56) **References Cited**
U.S. PATENT DOCUMENTS
2,670,787 A * 3/1954 Vandas et al. A47C 5/005
2,940,511 A * 6/1960 Gomes A47C 5/005
3,149,880 A * 9/1964 Steuer A47C 5/005
3,312,503 A * 4/1967 Suzuki A47C 5/005
3,717,377 A * 2/1973 Johnson A47C 5/005
4,085,970 A * 4/1978 Klein A47C 5/005
4,340,251 A * 7/1982 Geoffroy-Dechaume A47C 5/005

1 Claim, 3 Drawing Sheets



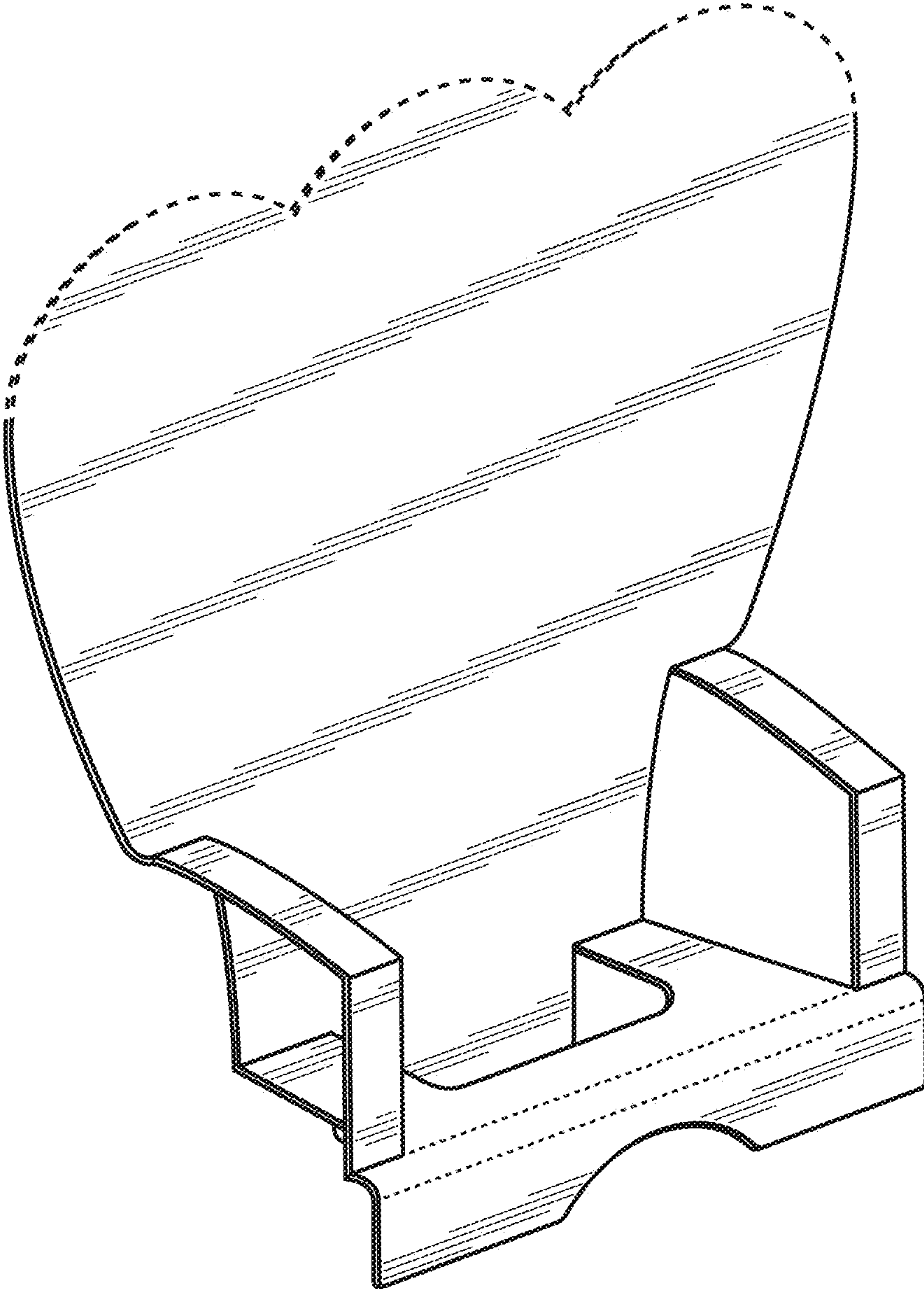


FIGURE 1

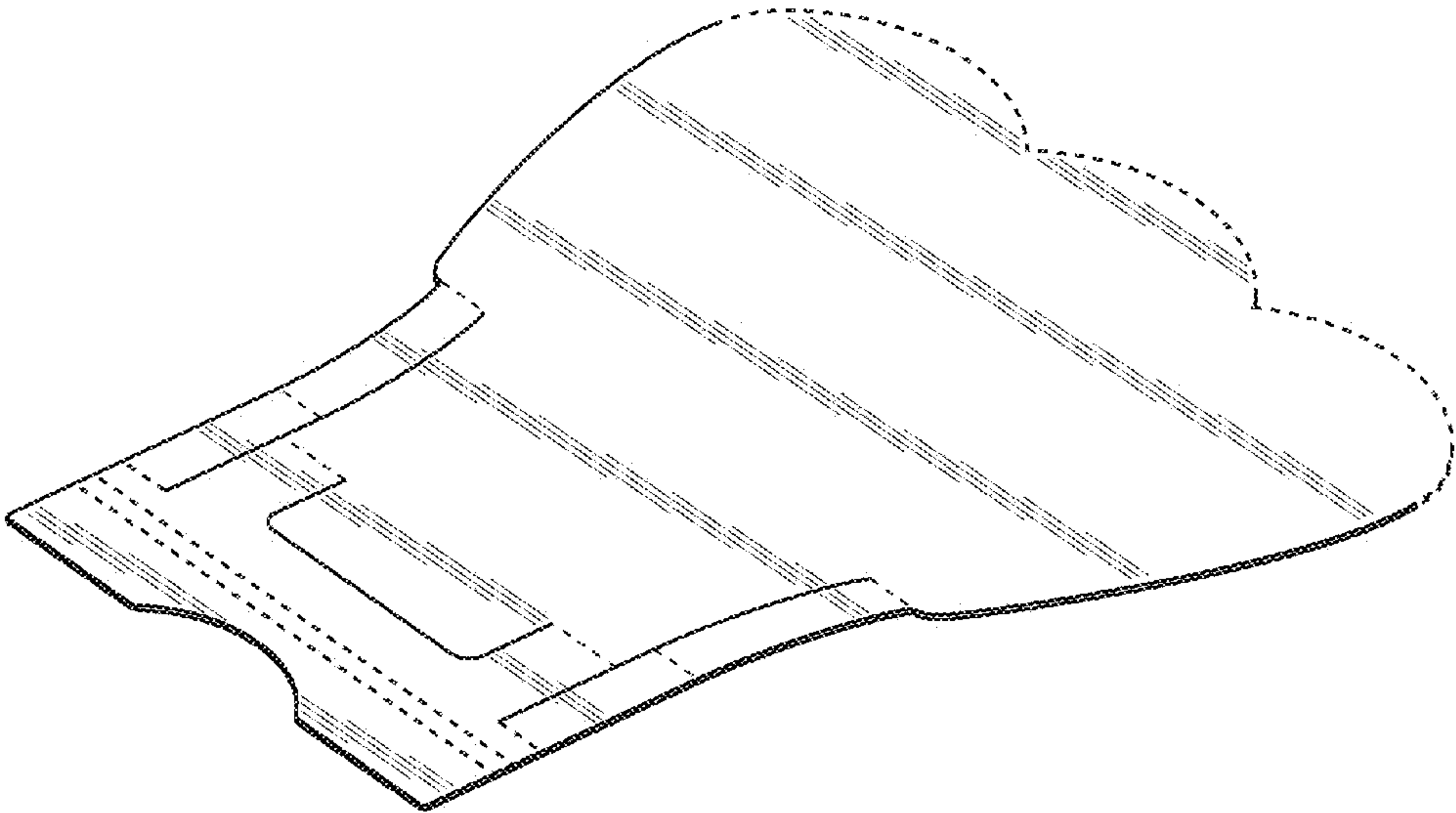


FIGURE 2

FIGURE 3

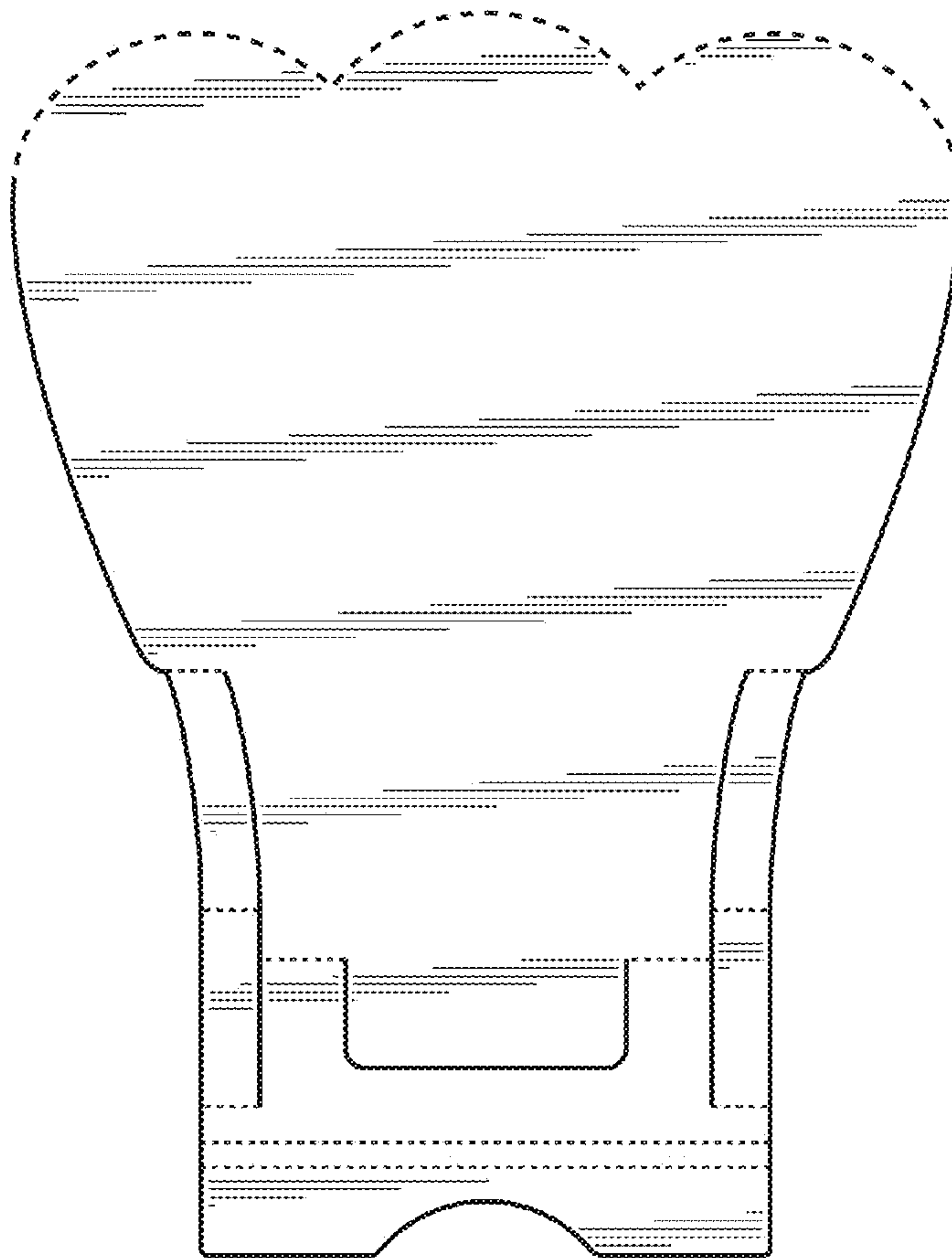


FIGURE 4

FIGURE 5

FIGURE 6