



US00D720938S

(12) **United States Design Patent**  
**Gerspach**

(10) **Patent No.:** **US D720,938 S**

(45) **Date of Patent:** **\*\* Jan. 13, 2015**

- (54) **LOUNGE ROCKER CHAIR**
- (71) Applicant: **Jonathan Gerspach**, Denver, CO (US)
- (72) Inventor: **Jonathan Gerspach**, Denver, CO (US)
- (73) Assignee: **Jonathan Gerspach**, Denver, CO (US)
- (\*\*) Term: **14 Years**
- (21) Appl. No.: **29/459,643**
- (22) Filed: **Jul. 2, 2013**
- (51) **LOC (10) Cl.** ..... **06-01**
- (52) **U.S. Cl.**  
USPC ..... **D6/348**
- (58) **Field of Classification Search**  
USPC ..... D6/334-336, 344-356, 360-381, 716,  
D6/716.1-716.4, 717; 248/598; 297/239,  
297/258.1, 271.5, 271.6, 411.42-411.44,  
297/448.2, 452.12  
See application file for complete search history.

D340,813 S *	11/1993	Liu	.....	D6/348
D357,815 S *	5/1995	Vidal	.....	D6/348
D383,319 S *	9/1997	Montes de Oca	.....	D6/348
D388,621 S *	1/1998	Reese	.....	D6/348
D437,127 S *	2/2001	Bradt	.....	D6/348
D545,072 S *	6/2007	Dessertine	.....	D6/348
D581,174 S *	11/2008	Beckerman	.....	D6/346
D581,684 S *	12/2008	Alhadad	.....	D6/348
D615,310 S *	5/2010	Cybulski	.....	D6/348
D671,756 S *	12/2012	Kweton	.....	D6/348

\* cited by examiner

*Primary Examiner* — Ricky Pham

(74) *Attorney, Agent, or Firm* — Steve Hassid; Partners Law Group, Inc.

(57) **CLAIM**

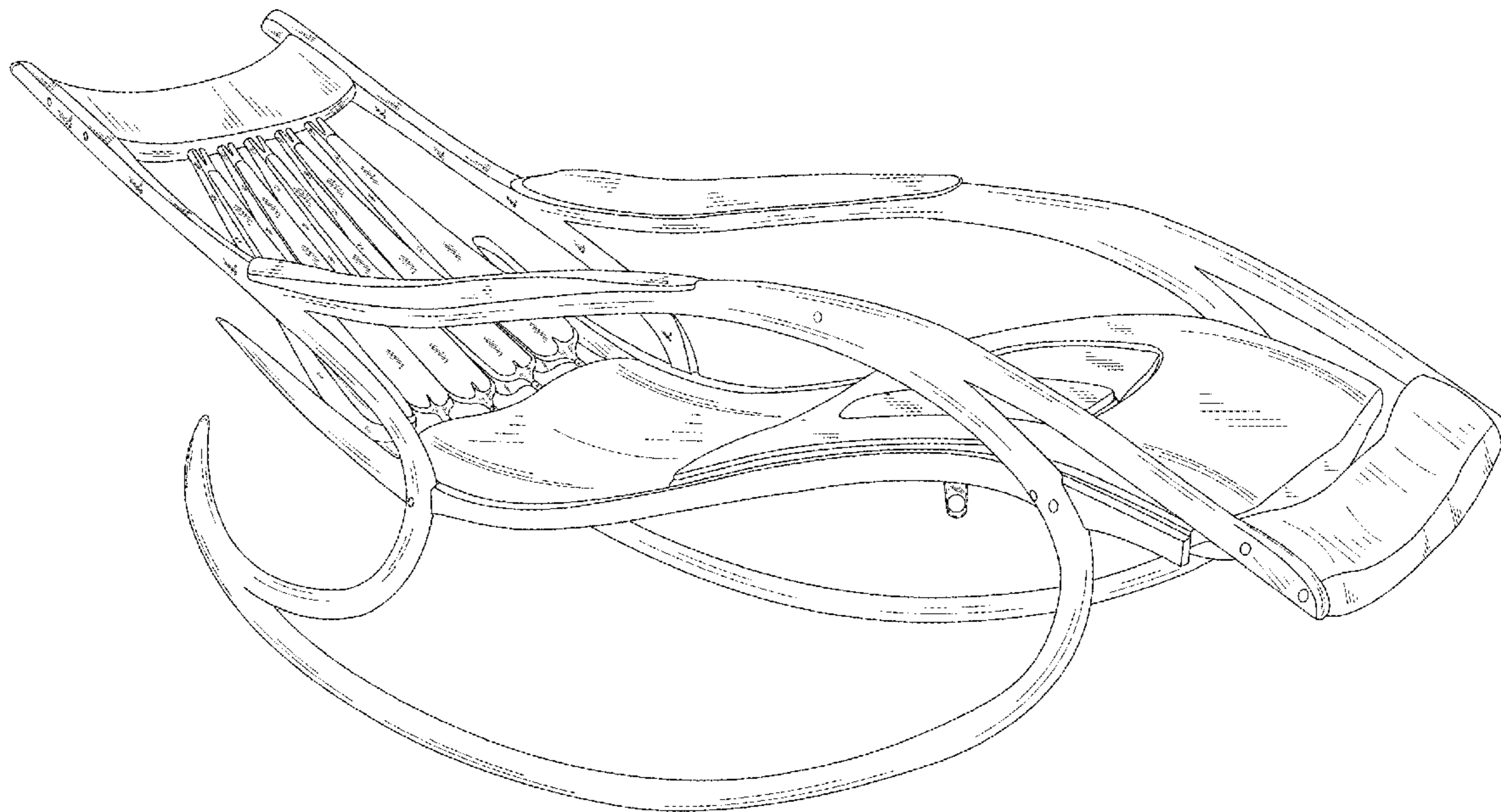
The ornamental design for a lounge rocker chair, as shown and described.

**DESCRIPTION**

FIG. 1 is a perspective view of the lounge rocker chair.  
 FIG. 2 is an alternate perspective view of the lounge rocker chair.  
 FIG. 3 is a front elevation view of the lounge rocker chair.  
 FIG. 4 is a rear elevation view of the lounge rocker chair.  
 FIG. 5 is a right side elevation view of the lounge rocker chair.  
 FIG. 6 is a left side elevation view of the lounge rocker chair.  
 FIG. 7 is a top plan view of the lounge rocker chair; and,  
 FIG. 8 is a bottom plan view of the lounge rocker chair.

**1 Claim, 7 Drawing Sheets**

- (56) **References Cited**  
U.S. PATENT DOCUMENTS  
953,338 A \* 3/1910 Hurd ..... 248/598  
3,072,435 A \* 1/1963 Komulainen ..... 297/271.6  
D271,728 S \* 12/1983 Burns ..... D6/348



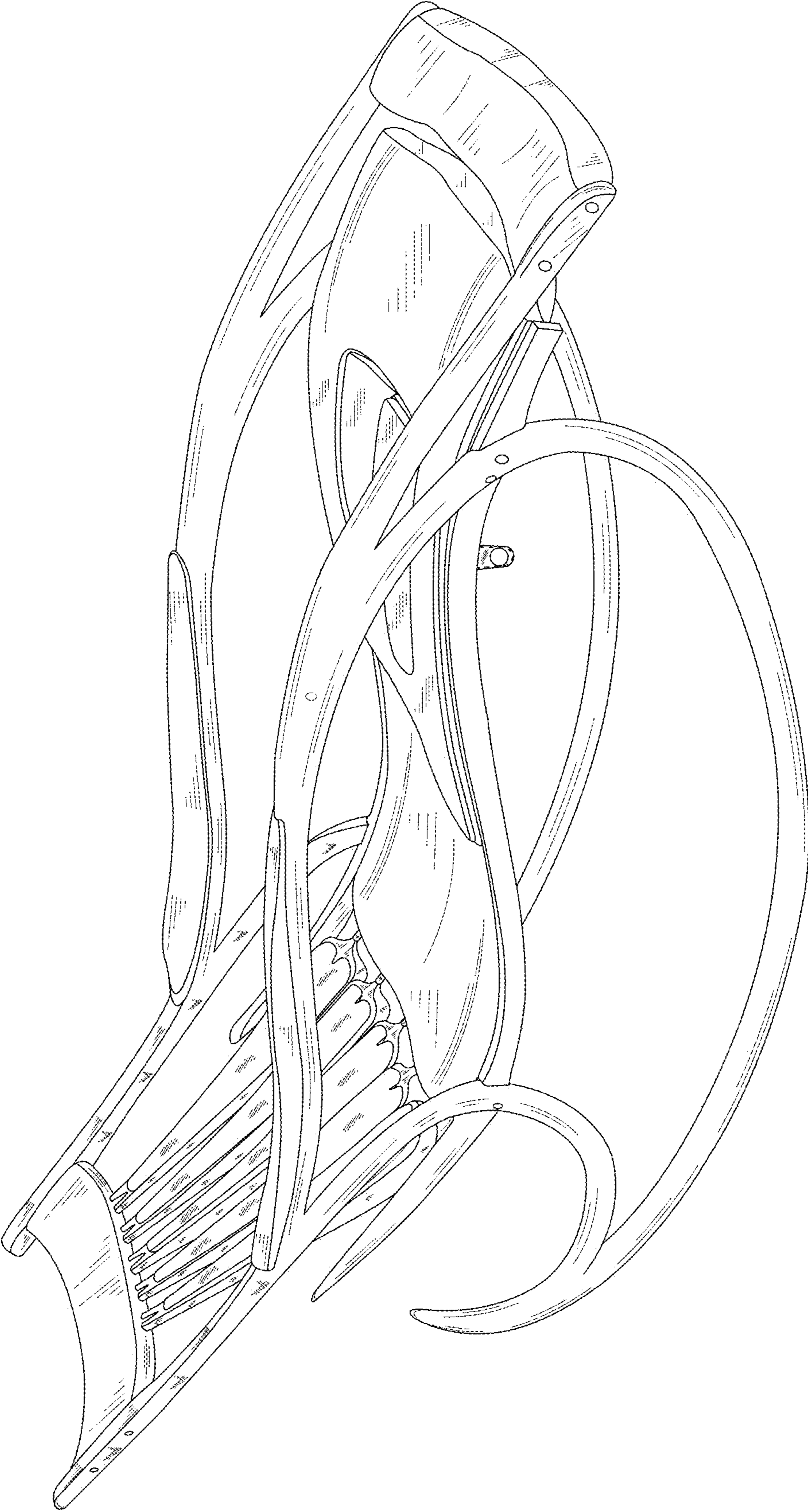


FIG. 1



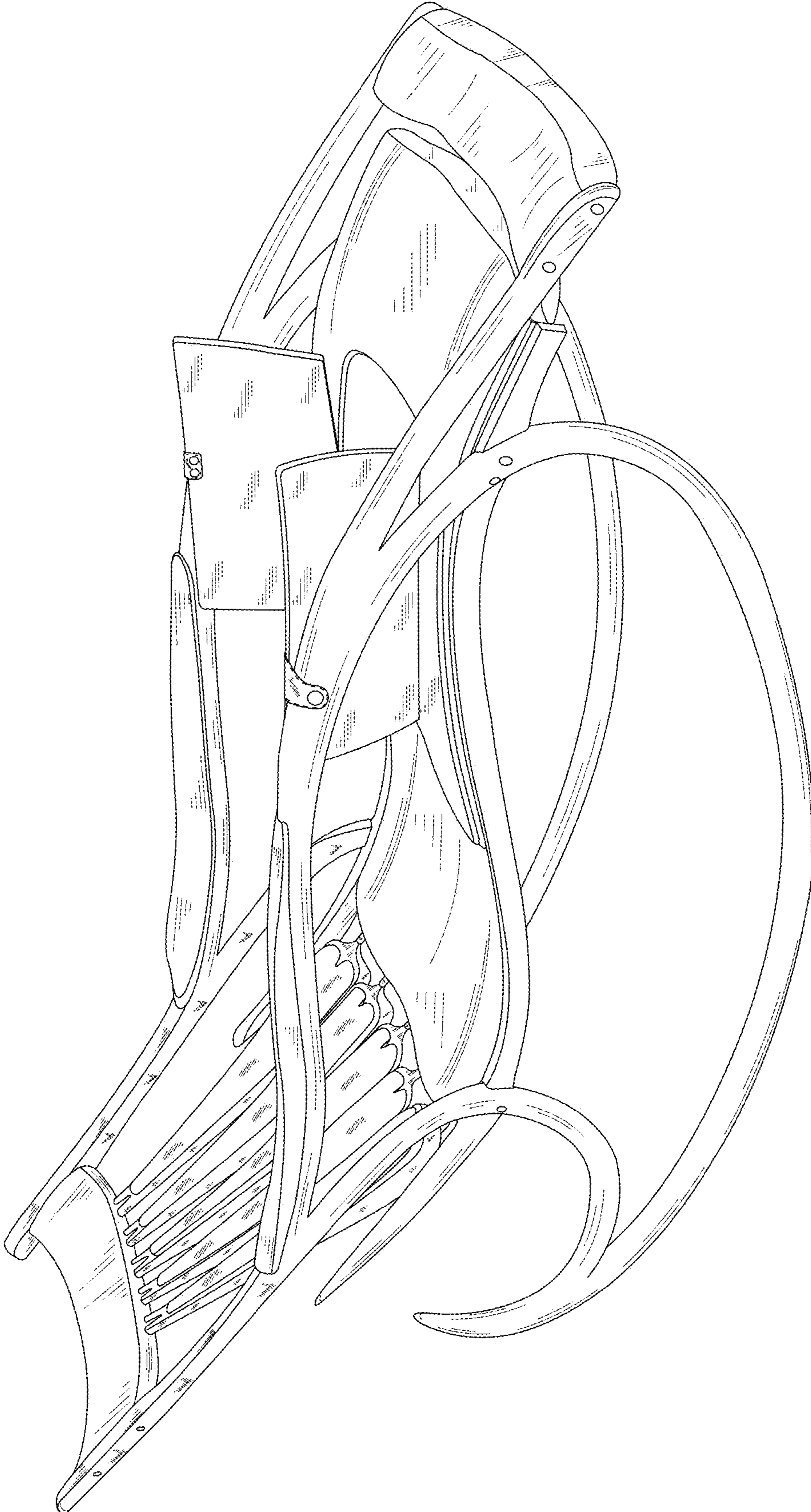


FIG. 2

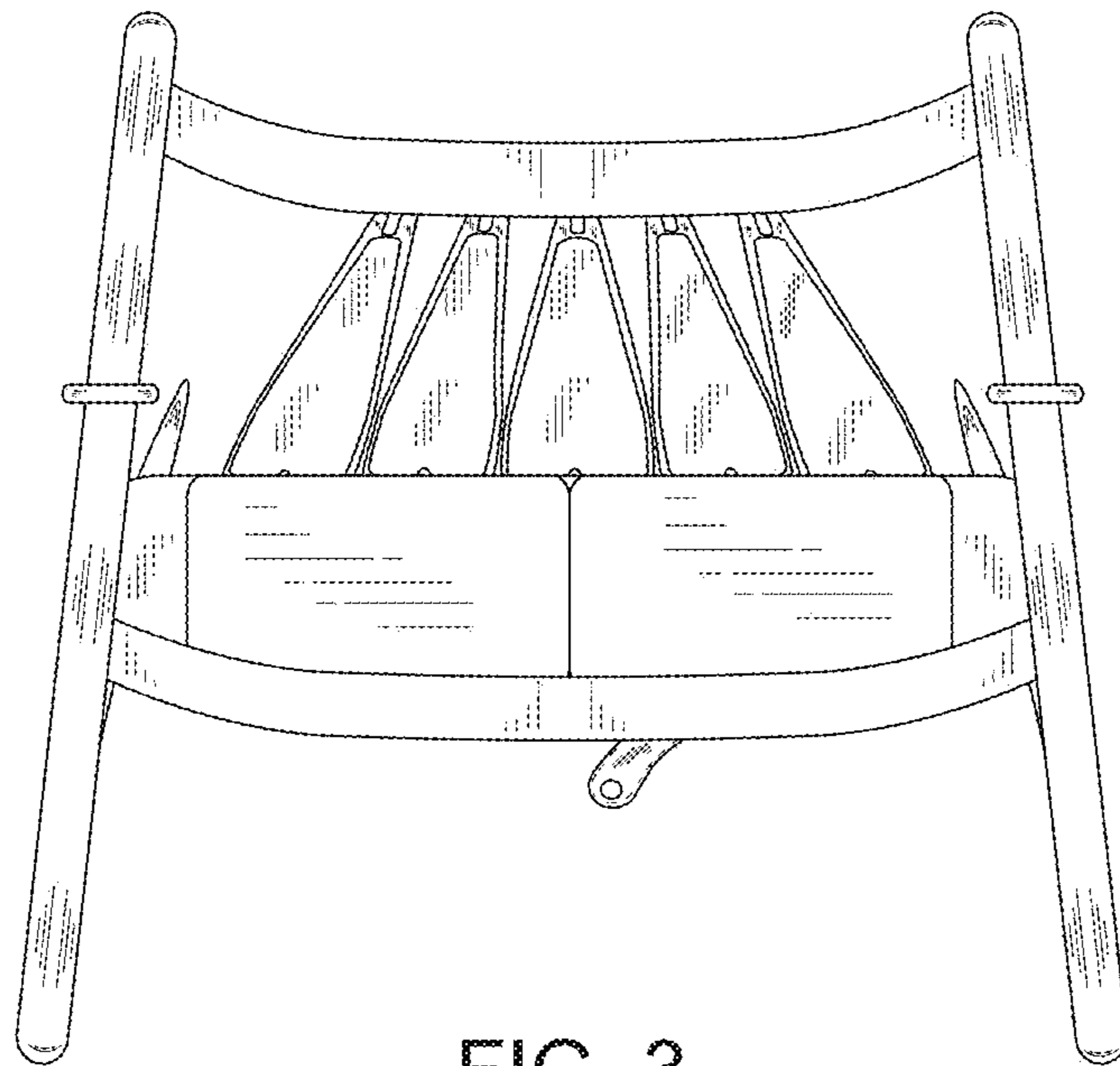


FIG. 3

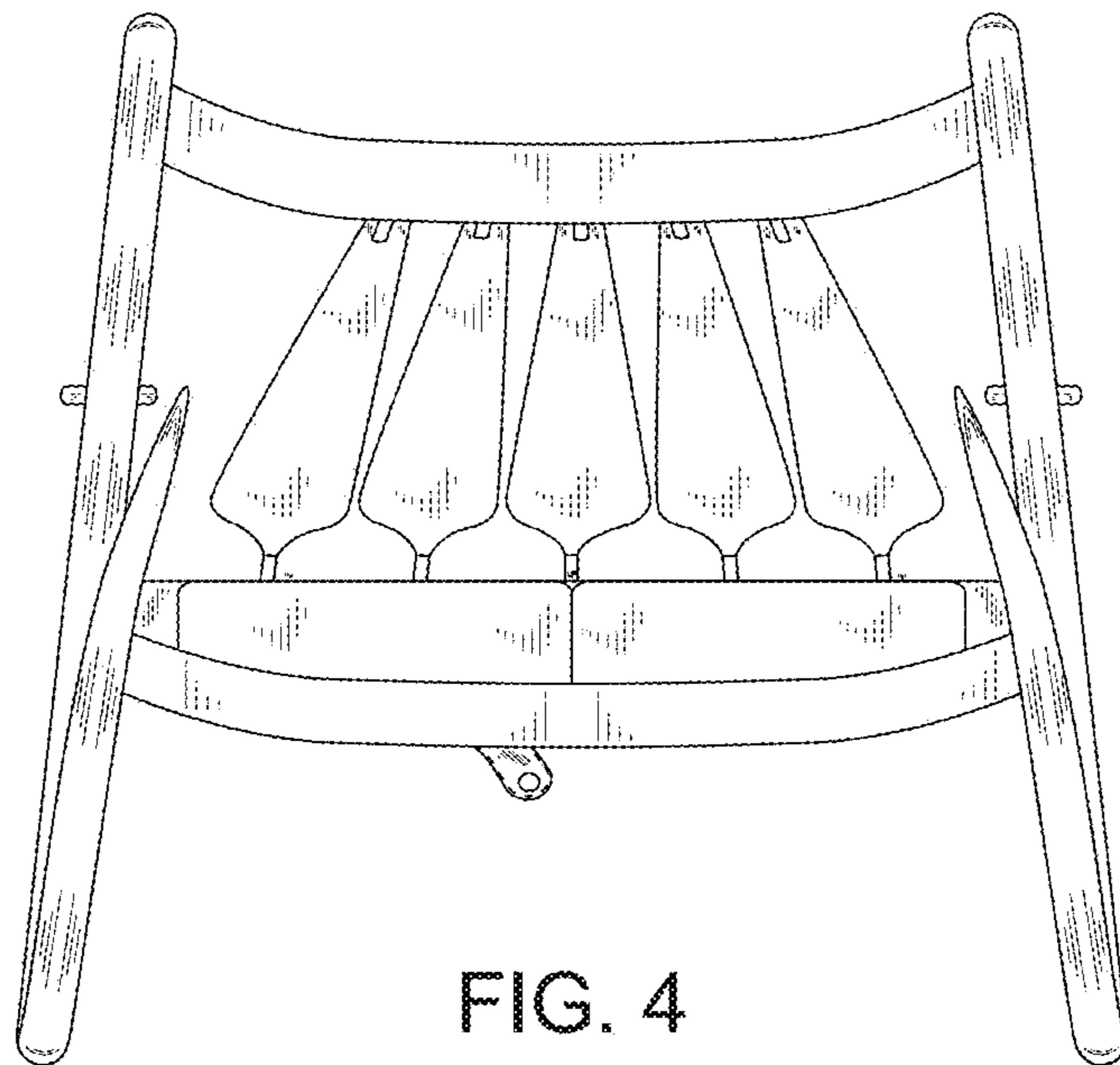


FIG. 4

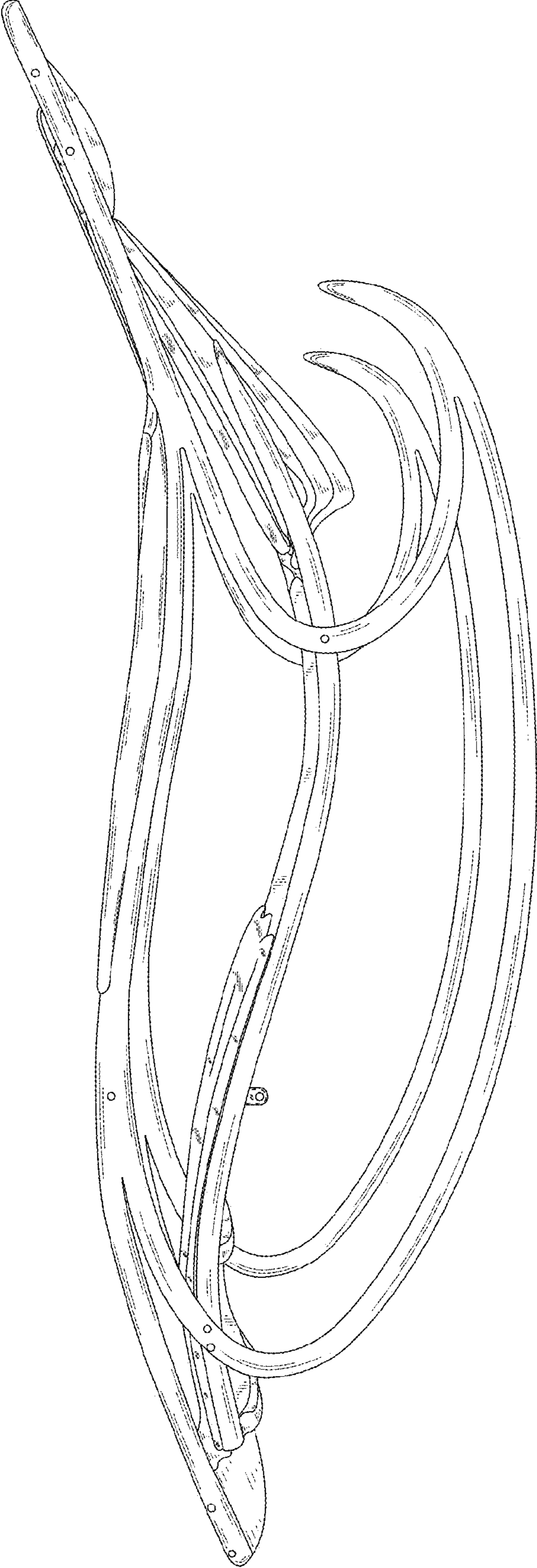


FIG. 5

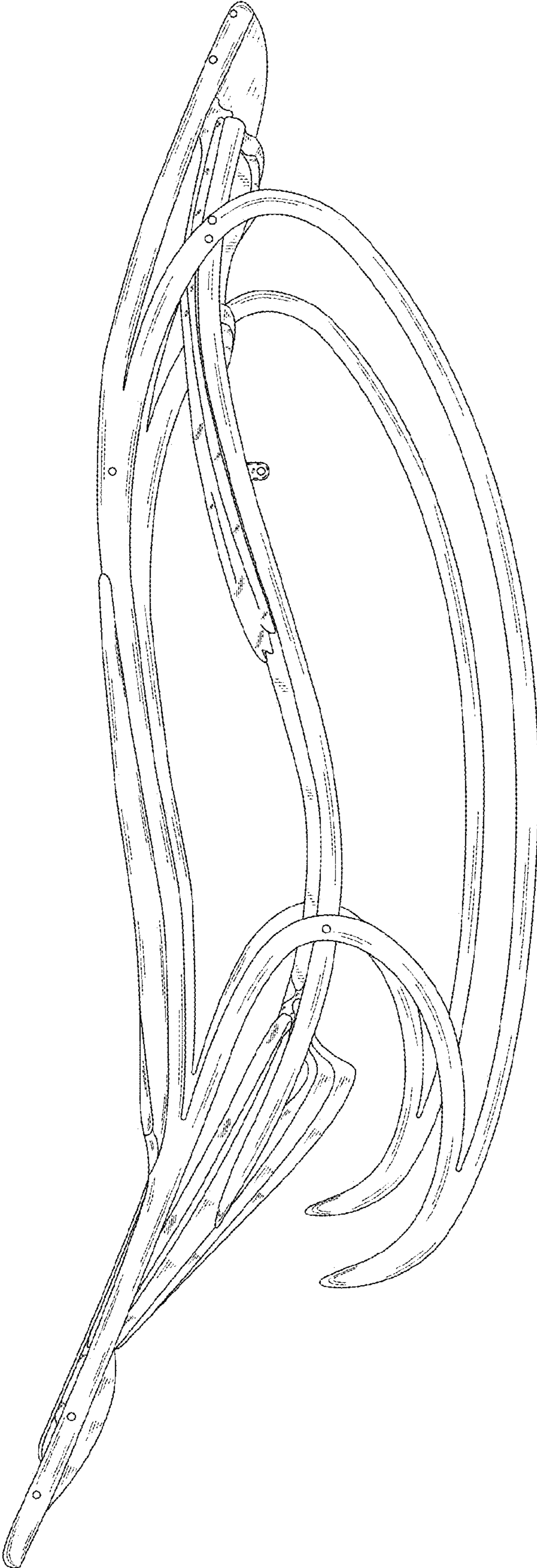


FIG. 6



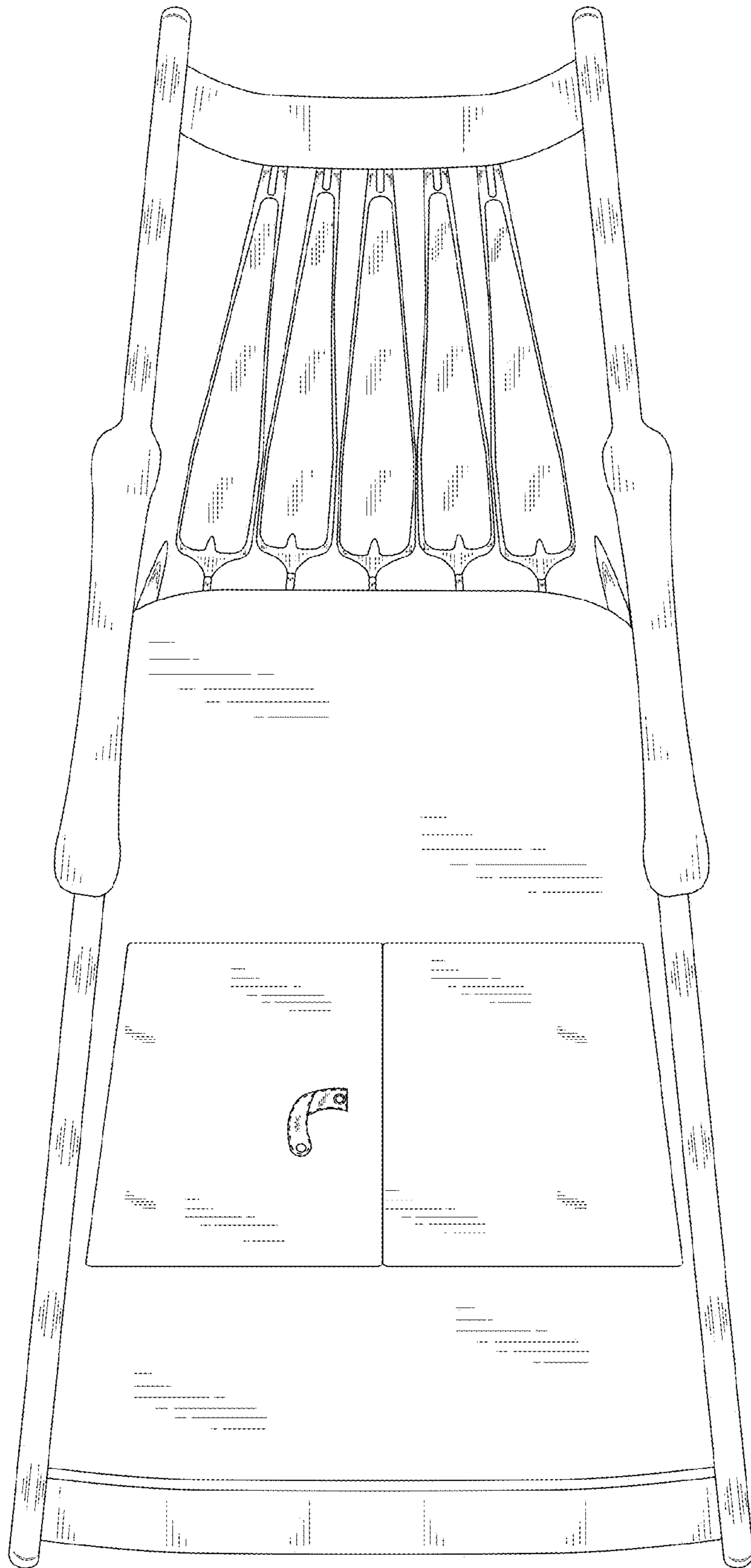


FIG. 7

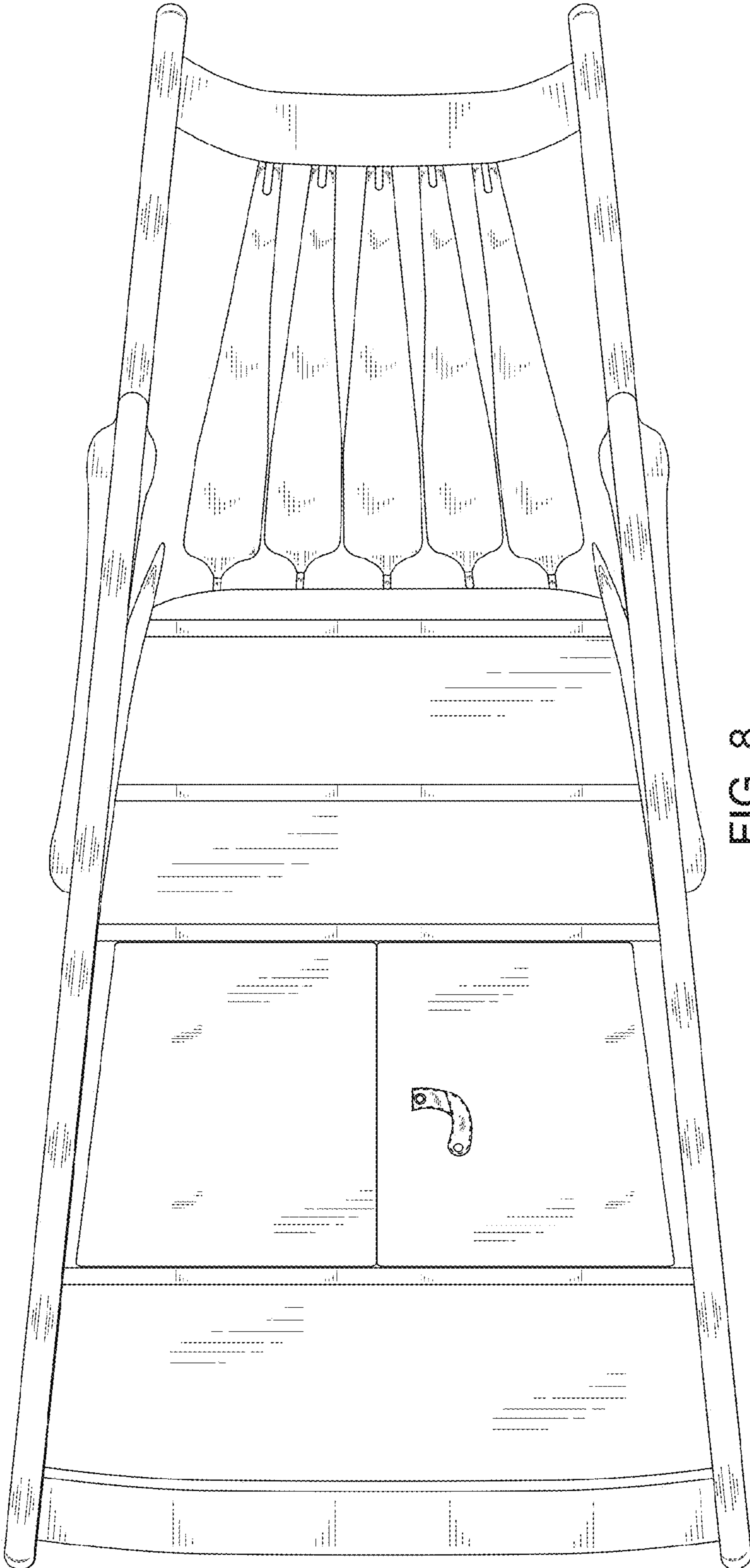


FIG. 8