



US00D720937S

(12) **United States Design Patent**
Fritz

(10) **Patent No.:** **US D720,937 S**
(45) **Date of Patent:** **** Jan. 13, 2015**

(54) **ROBE HOOK**

(71) Applicant: **Masco Corporation of Indiana,**
Indianapolis, IN (US)

(72) Inventor: **Seth Fritz,** Carmel, IN (US)

(73) Assignee: **Masco Corporation of Indiana,**
Indianapolis, IN (US)

(**) Term: **14 Years**

(21) Appl. No.: **29/484,211**

(22) Filed: **Mar. 7, 2014**

(51) **LOC (10) Cl.** **06-08**

(52) **U.S. Cl.**
USPC **D6/323**

(58) **Field of Classification Search**
CPC A47G 25/28; A47G 25/32; A47G 25/743;
A47G 25/14; A47G 25/10; A47G 25/0607;
A47G 25/06; A47G 25/34; A47G 1/20;
A47G 7/044; A47G 29/00
USPC D6/315-328; 223/85-98; 211/10, 13.1,
211/85.2, 87.01, 113; D8/300, 367, 372,
D8/373; 248/304, 309.1

See application file for complete search history.

(56) **References Cited**

U.S. PATENT DOCUMENTS

239,465 A *	3/1881	Delany	248/304
D526,132 S *	8/2006	Solowiej	D6/323
D580,186 S *	11/2008	Krumpe et al.	D6/323
D672,565 S *	12/2012	Nazario	D6/323
D672,636 S *	12/2012	Krumpe	D8/367
D672,974 S *	12/2012	Krumpe	D6/323
D692,244 S *	10/2013	Romero et al.	D6/323

* cited by examiner

Primary Examiner — Derrick Holland

Assistant Examiner — Lauren Calve

(74) *Attorney, Agent, or Firm* — Edgar A. Zarins; Nirav D. Parikh

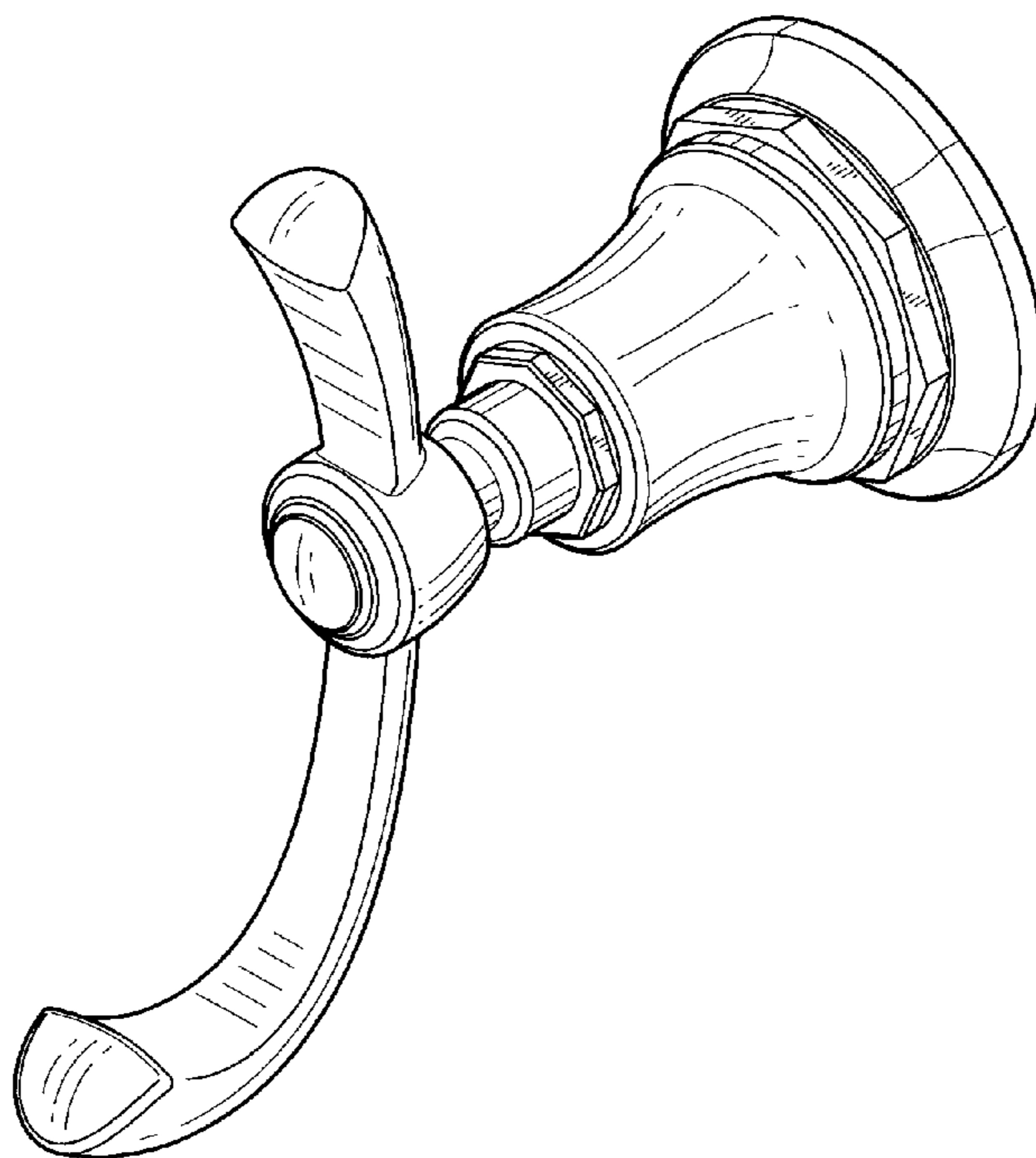
(57) **CLAIM**

The ornamental design for a robe hook, as shown and described.

DESCRIPTION

FIG. 1 is a perspective view of a robe hook showing my new design;
FIG. 2 is a left side view thereof, the right side view being a mirror image thereof;
FIG. 3 is a top plan view thereof;
FIG. 4 is a bottom view thereof; and,
FIG. 5 is a front elevational view thereof.

1 Claim, 2 Drawing Sheets



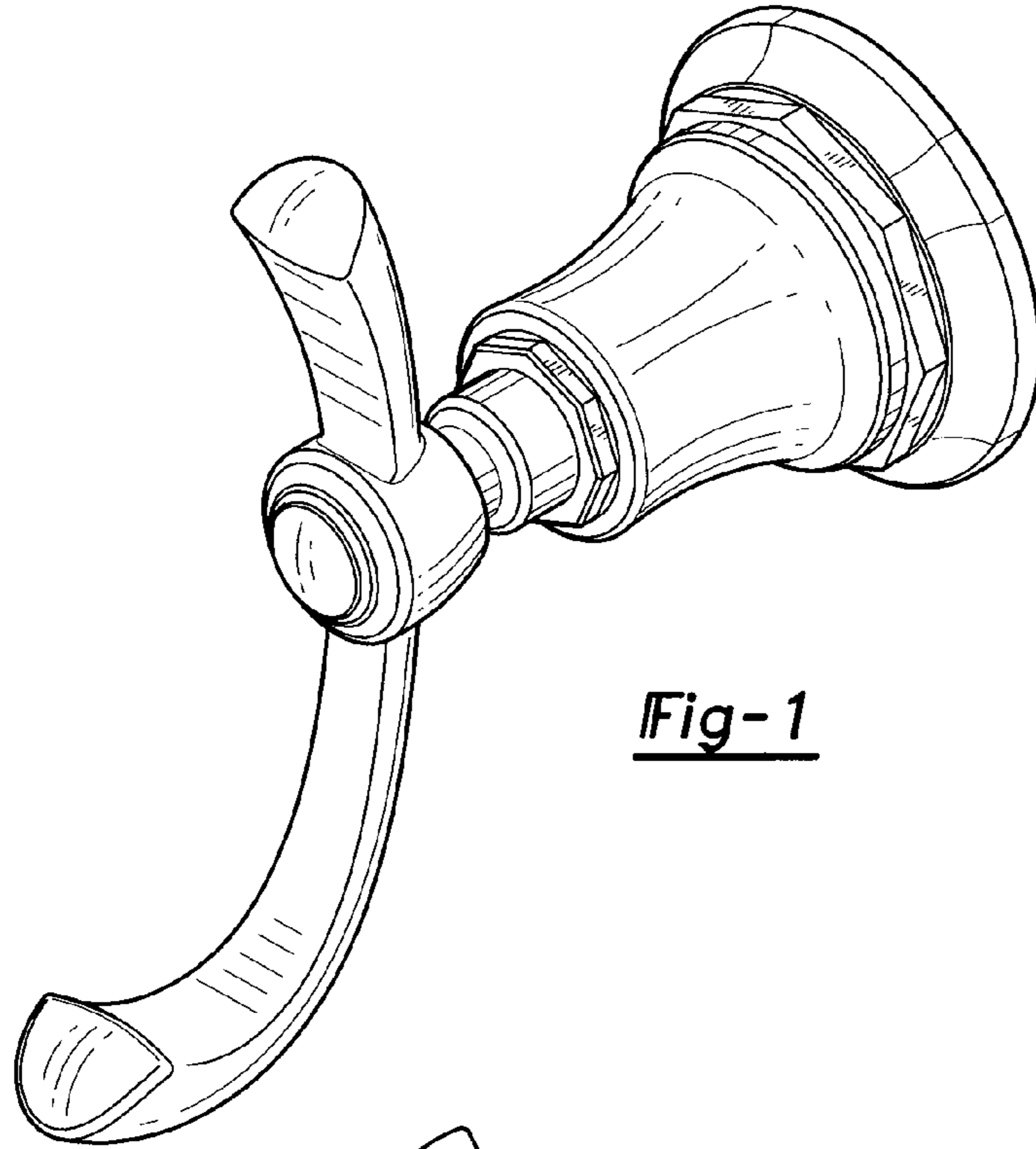


Fig-1

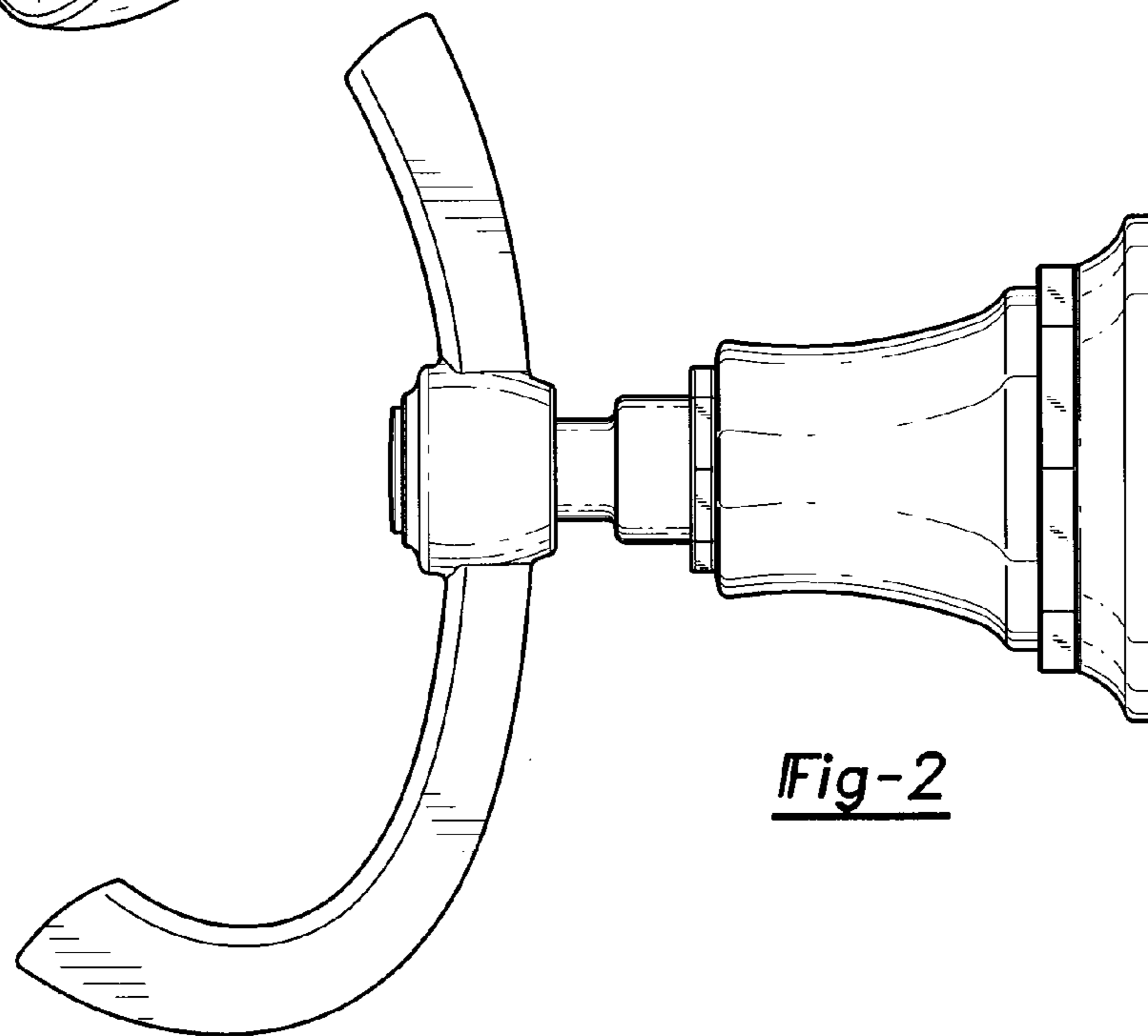


Fig-2

