



US00D720929S

(12) **United States Design Patent**  
**Felice**

(10) **Patent No.:** **US D720,929 S**  
(45) **Date of Patent:** **\*\* Jan. 13, 2015**

- (54) **DOG BONE SUITCASE**
- (71) Applicant: **Sharon Felice**, Oakland, CA (US)
- (72) Inventor: **Sharon Felice**, Oakland, CA (US)
- (\*\*) Term: **14 Years**
- (21) Appl. No.: **29/501,361**
- (22) Filed: **Sep. 3, 2014**
- (51) **LOC (10) Cl.** ..... **03-01**
- (52) **U.S. Cl.**  
USPC ..... **D3/279; D3/289; D3/271.2**
- (58) **Field of Classification Search**  
CPC ..... **A45C 7/00; A45C 5/14; A45C 13/28;**  
**A45C 5/30**  
USPC ..... **D3/273, 276, 279, 289, 301, 283, 272,**  
**D3/278, 274, 281, 321, 902, 232, 238;**  
**190/18 A, 100-127; 206/286-287.1**  
See application file for complete search history.

D476,808 S *	7/2003	Carr	.....	D3/271.2
D521,782 S *	5/2006	Edwards	.....	D6/518
D539,486 S *	3/2007	Williams	.....	D30/111
D550,996 S *	9/2007	Edwards	.....	D6/518
D634,507 S *	3/2011	Lawrenson	.....	D1/106
D641,248 S *	7/2011	Steger et al.	.....	D9/607
D652,214 S *	1/2012	Swartz et al.	.....	D3/301
D661,895 S *	6/2012	Kinnard	.....	D3/271.2
D665,577 S *	8/2012	Hollinger	.....	D3/271.1

\* cited by examiner

*Primary Examiner* — Jennifer Rivard

*Assistant Examiner* — April Rivas

(74) *Attorney, Agent, or Firm* — Steven A. Nielsen; Allman & Nielsen, P.C.

(57) **CLAIM**

The ornamental design for a dog bone suitcase, as shown and described.

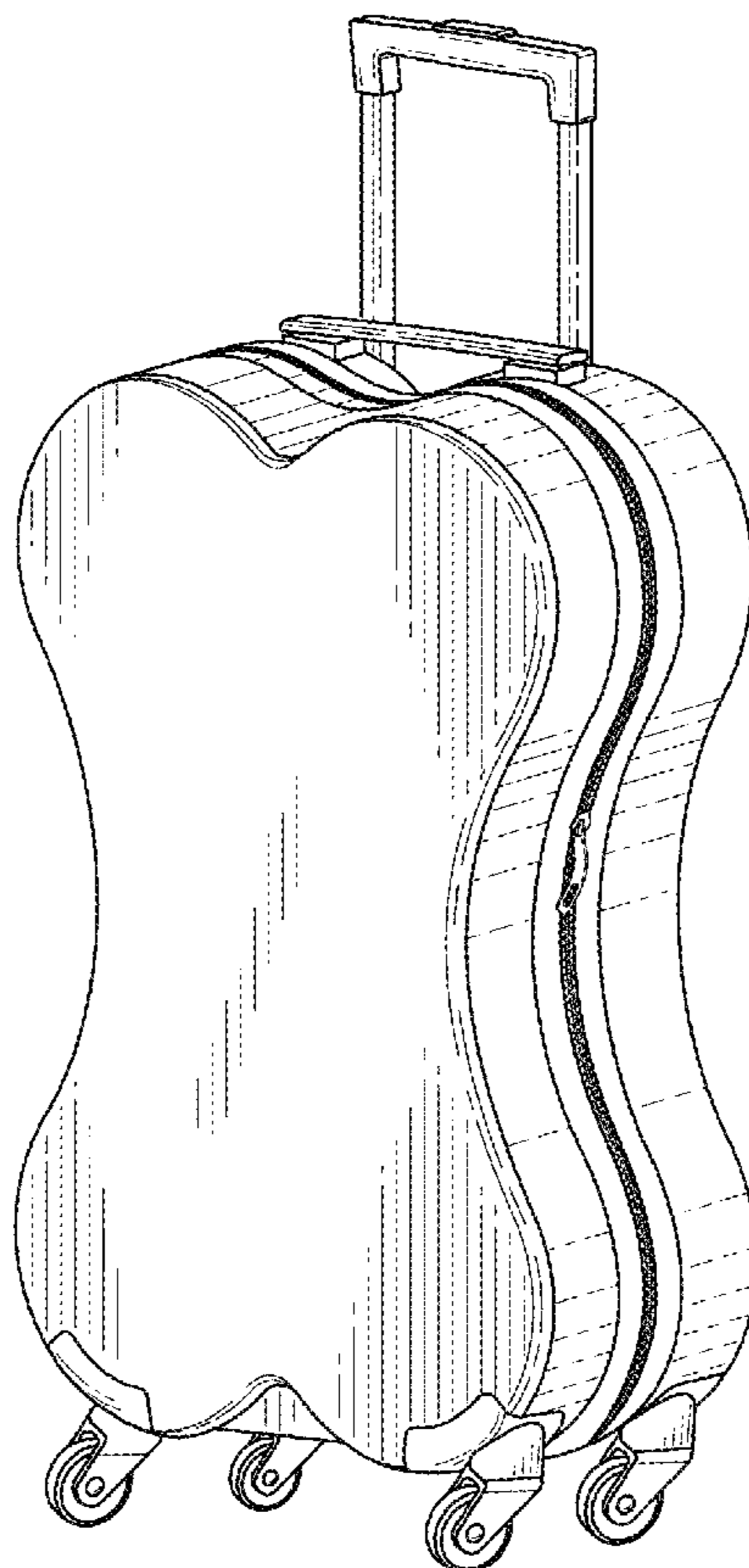
**DESCRIPTION**

FIG. 1 is a front, top and side perspective view of a dog bone suitcase showing my new design;  
FIG. 2 is a front view thereof;  
FIG. 3 is a back view thereof;  
FIG. 4 is a left side view thereof;  
FIG. 5 is a right side view thereof;  
FIG. 6 is a top view thereof; and,  
FIG. 7 is a bottom view thereof.

**1 Claim, 4 Drawing Sheets**

(56) **References Cited**  
U.S. PATENT DOCUMENTS

D292,446 S *	10/1987	Gilbert	.....	D3/238
D294,748 S *	3/1988	Dobelle	.....	D30/109
D311,610 S *	10/1990	Dobelle	.....	D30/109
D401,761 S *	12/1998	Sandmann et al.	.....	D3/238



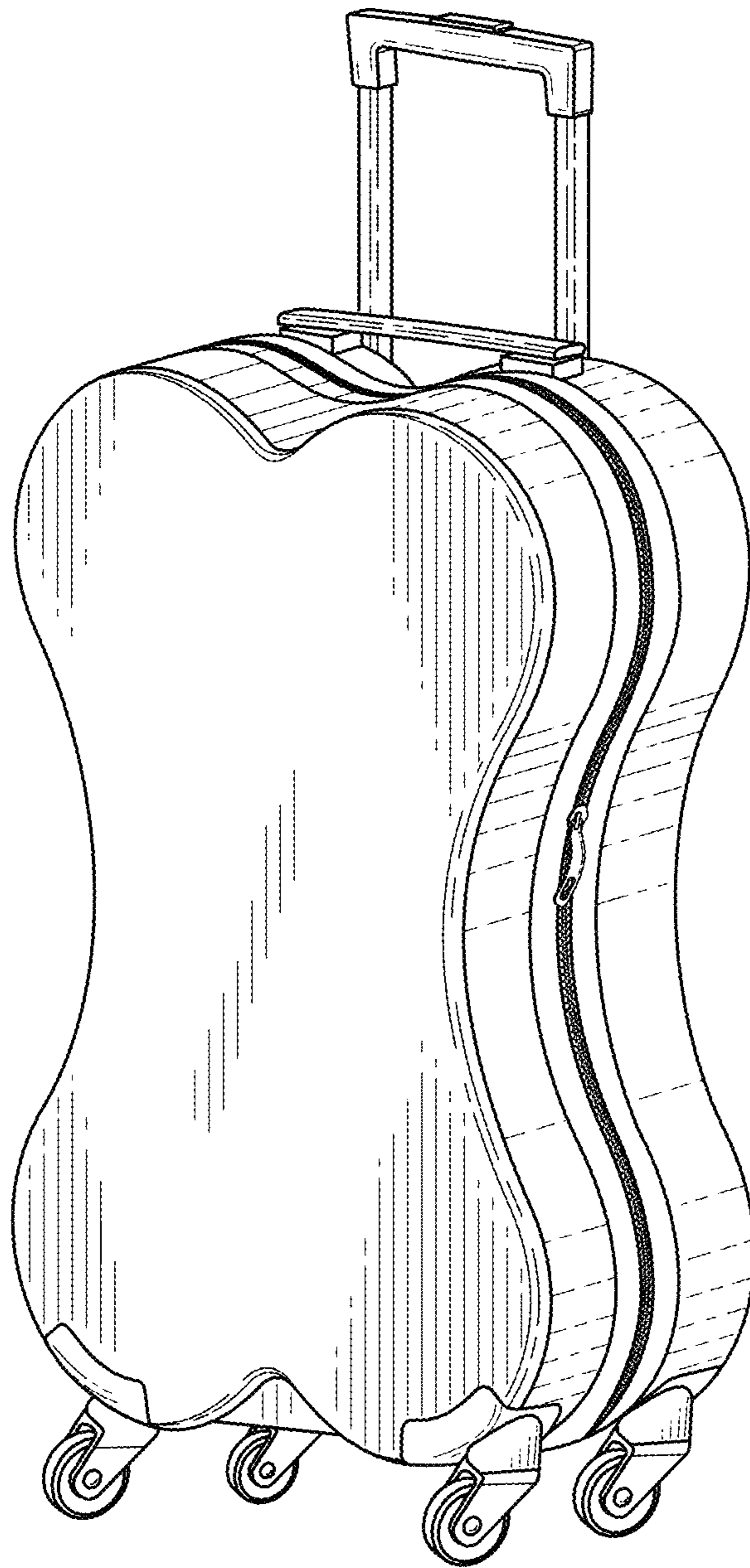


FIG. 1

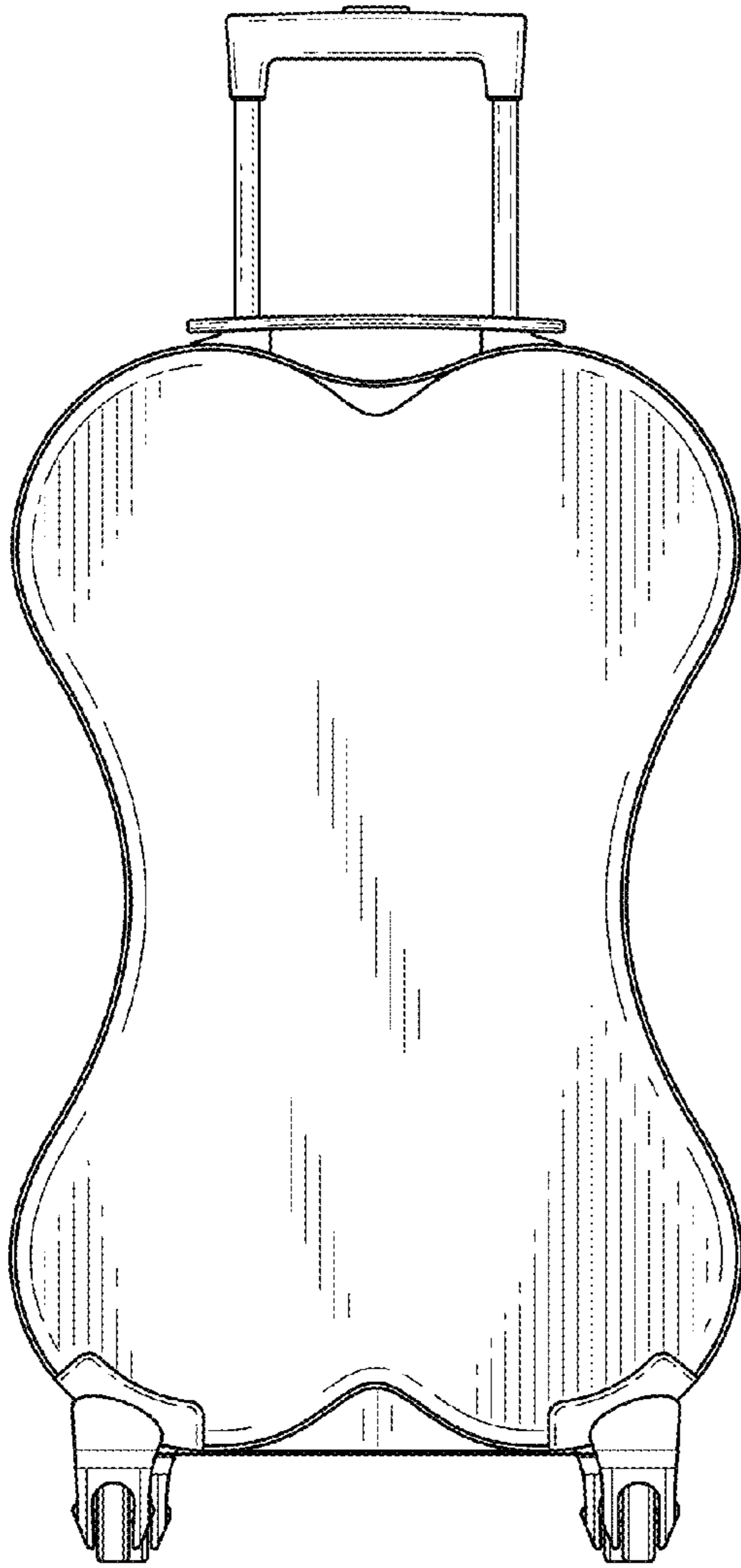


FIG. 2

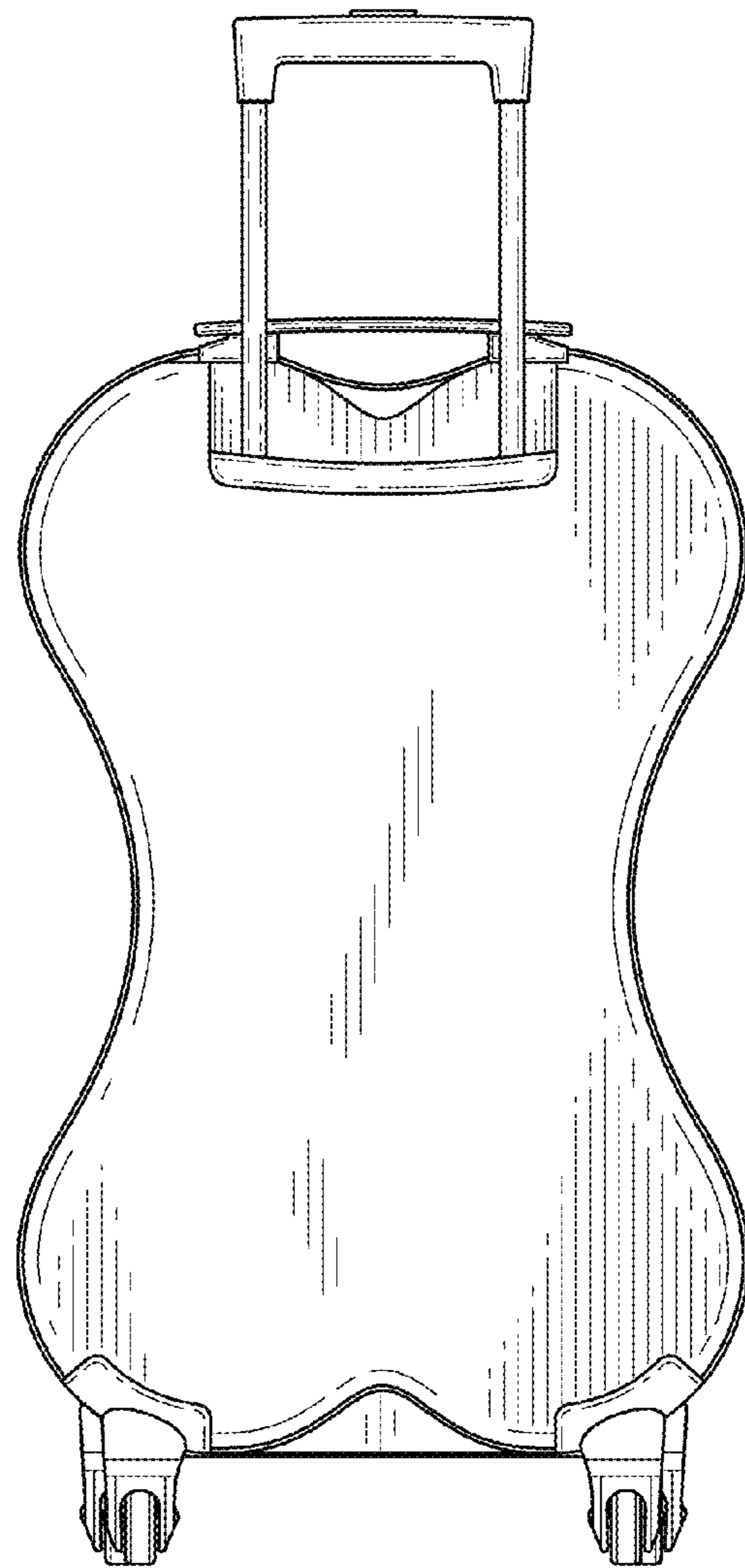


FIG. 3

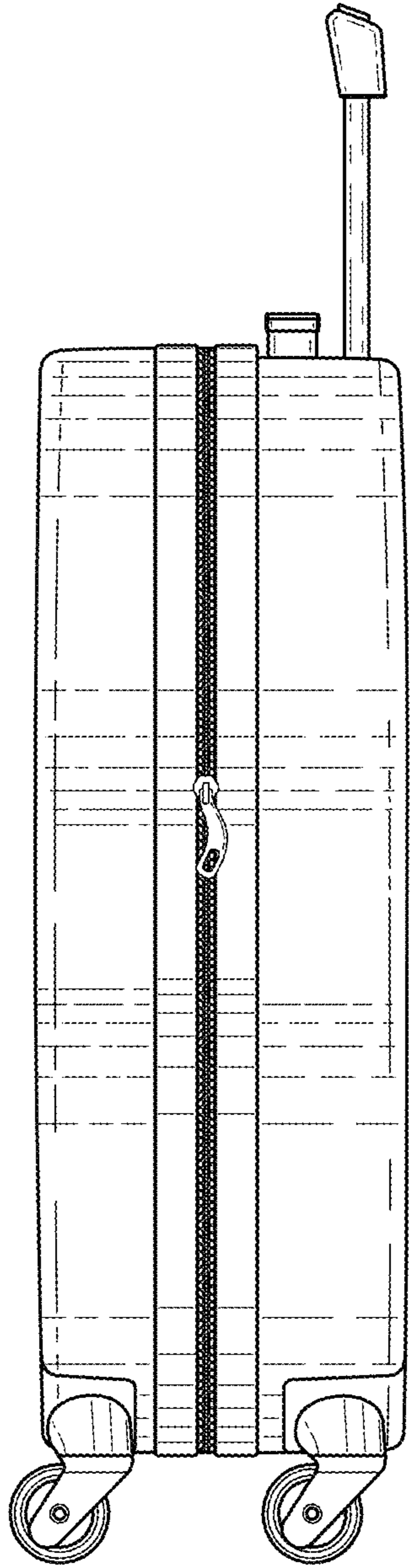


FIG. 4

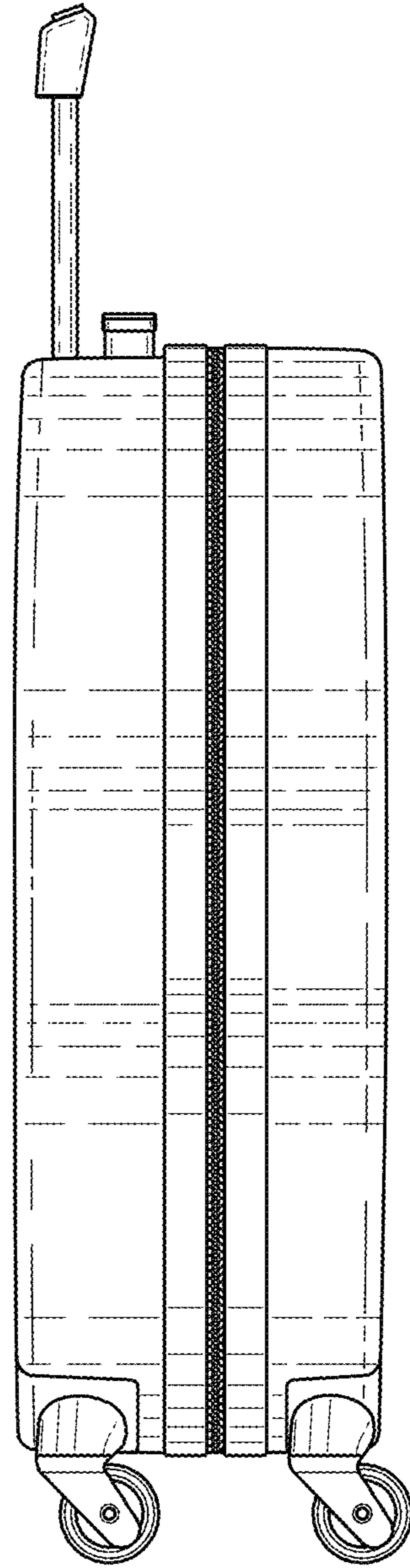


FIG. 5

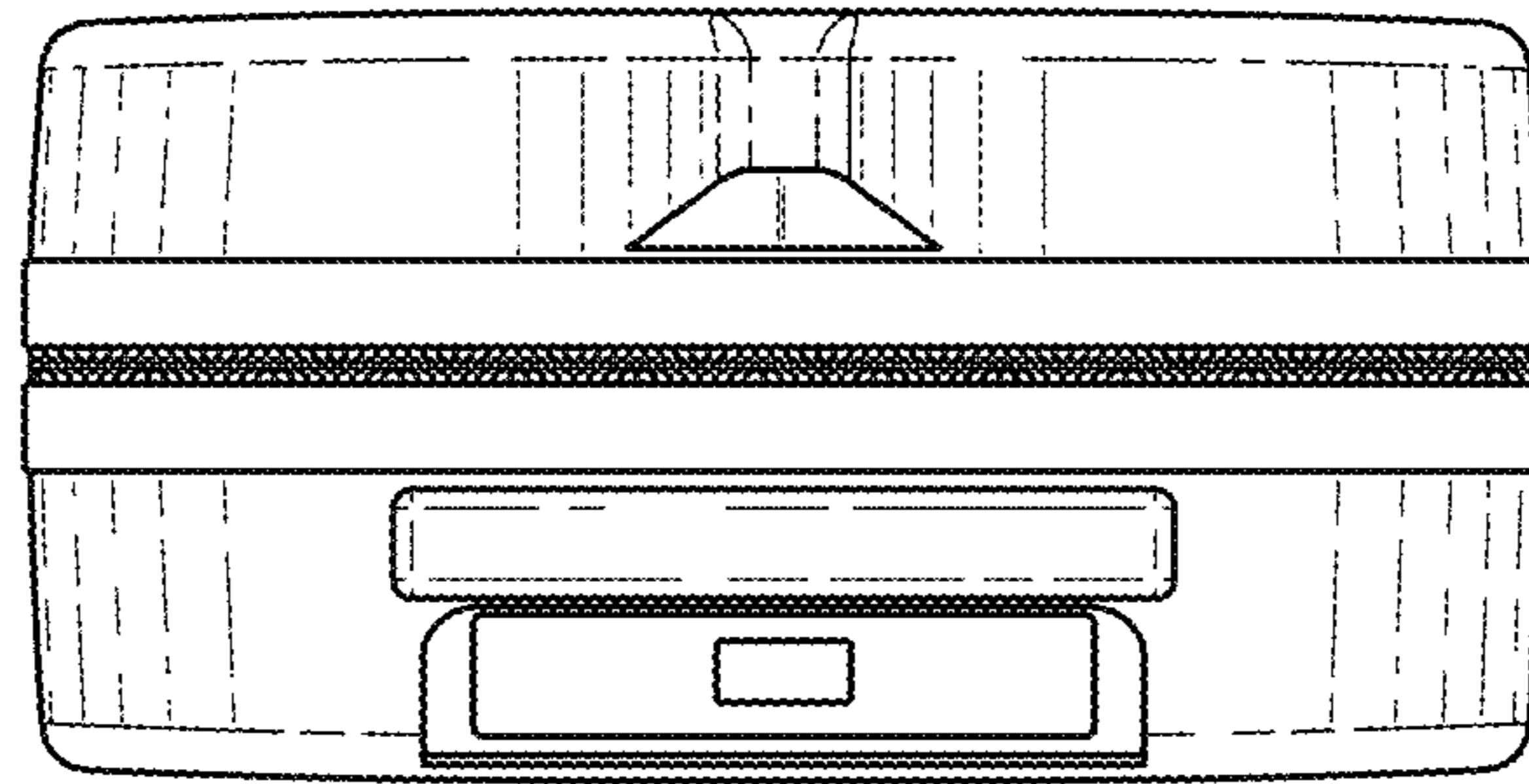


FIG. 6

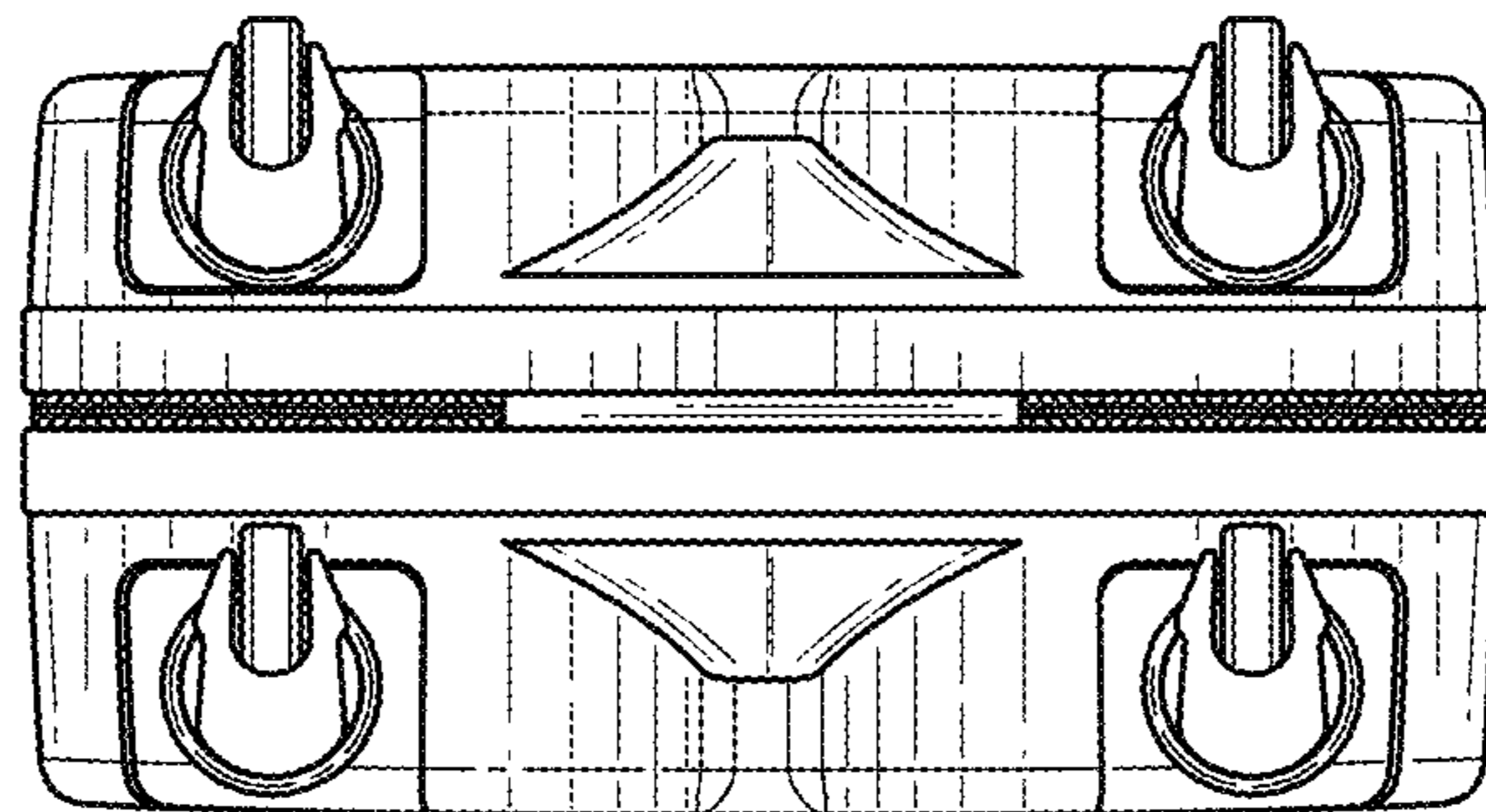


FIG. 7