

US00D720928S

(12) **United States Design Patent**
Roncato

(10) **Patent No.:** **US D720,928 S**
(45) **Date of Patent:** **** Jan. 13, 2015**

(54) **LUGGAGE**

(71) Applicant: **Valigeria Roncato S.p.A.**,
Campodarsego PD (IT)
(72) Inventor: **Cristiano Roncato**, Campodarsego (IT)
(73) Assignee: **Valigeria Roncato S.p.A.**,
Campodarsego PD (IT)

(**) Term: **14 Years**

(21) Appl. No.: **29/476,882**

(22) Filed: **Dec. 18, 2013**

(30) **Foreign Application Priority Data**

Jun. 20, 2013 (EM) 002259192-0002

(51) **LOC (10) Cl.** **03-01**

(52) **U.S. Cl.**
USPC **D3/279**

(58) **Field of Classification Search**
USPC D3/272, 276, 278, 279, 273, 274, 281,
D3/289, 321; 190/100-127, 903, 37, 39,
190/18 A

See application file for complete search history.

(56) **References Cited**

U.S. PATENT DOCUMENTS

D454,430 S * 3/2002 Sijmons D3/279
D563,101 S * 3/2008 Kuchler et al. D3/279
D633,716 S * 3/2011 Turella-Yuan et al. D3/279
D685,186 S * 7/2013 Massaud D3/279
2011/0284334 A1 * 11/2011 Cheng 190/18 A

* cited by examiner

Primary Examiner — Jennifer Rivard

(74) *Attorney, Agent, or Firm* — Nixon & Vanderhye, PC

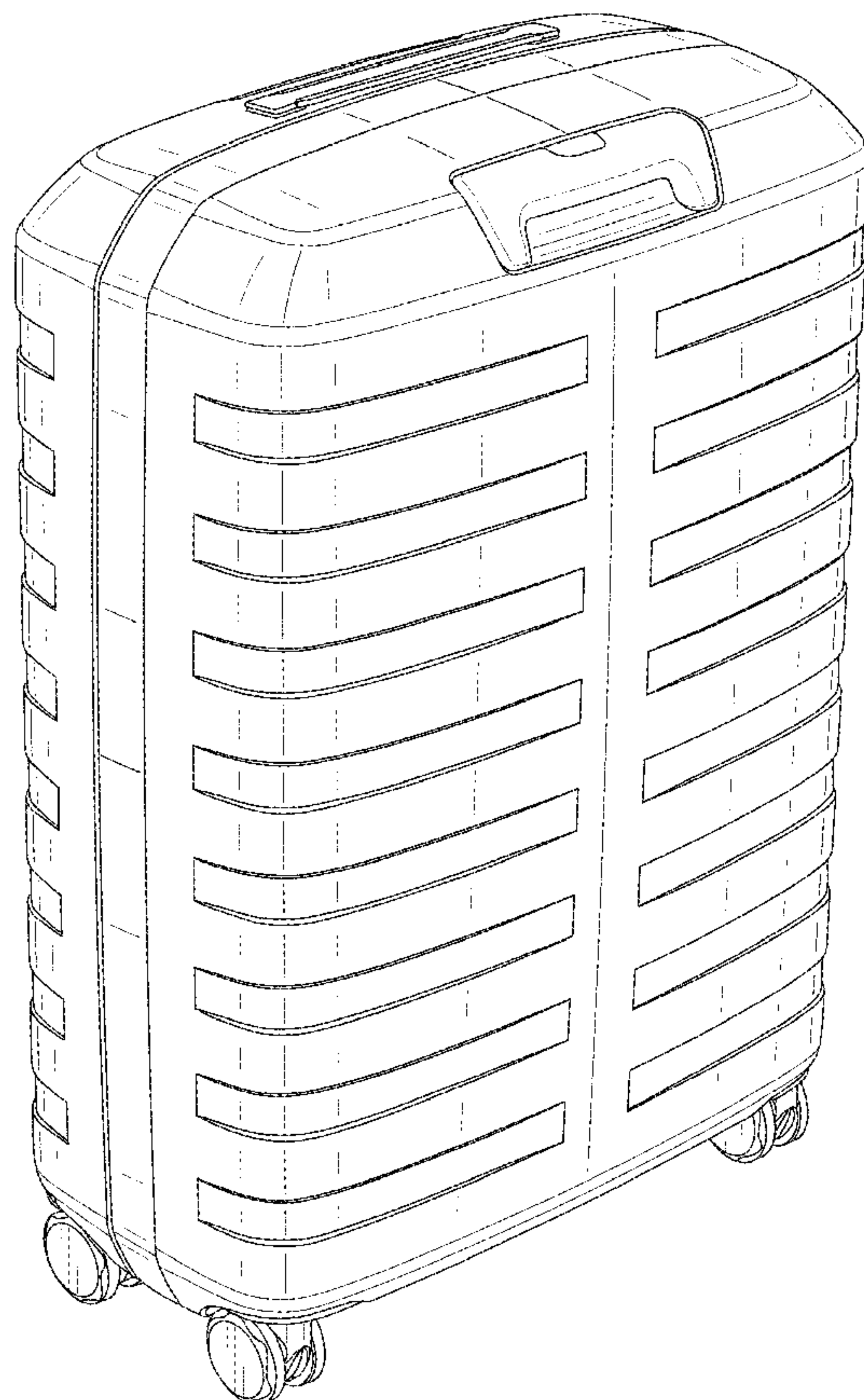
(57) **CLAIM**

The ornamental design for luggage, as shown and described.

DESCRIPTION

FIG. 1 is a perspective view of the front and one side of the luggage showing my new design;
FIG. 2 is an elevational view of the front thereof;
FIG. 3 is an elevational view of the back thereof;
FIG. 4 is an elevational view of one side thereof;
FIG. 5 is an elevational view of the other side thereof;
FIG. 6 is a plan view of the top thereof; and,
FIG. 7 is a plan view of the bottom thereof.

1 Claim, 6 Drawing Sheets



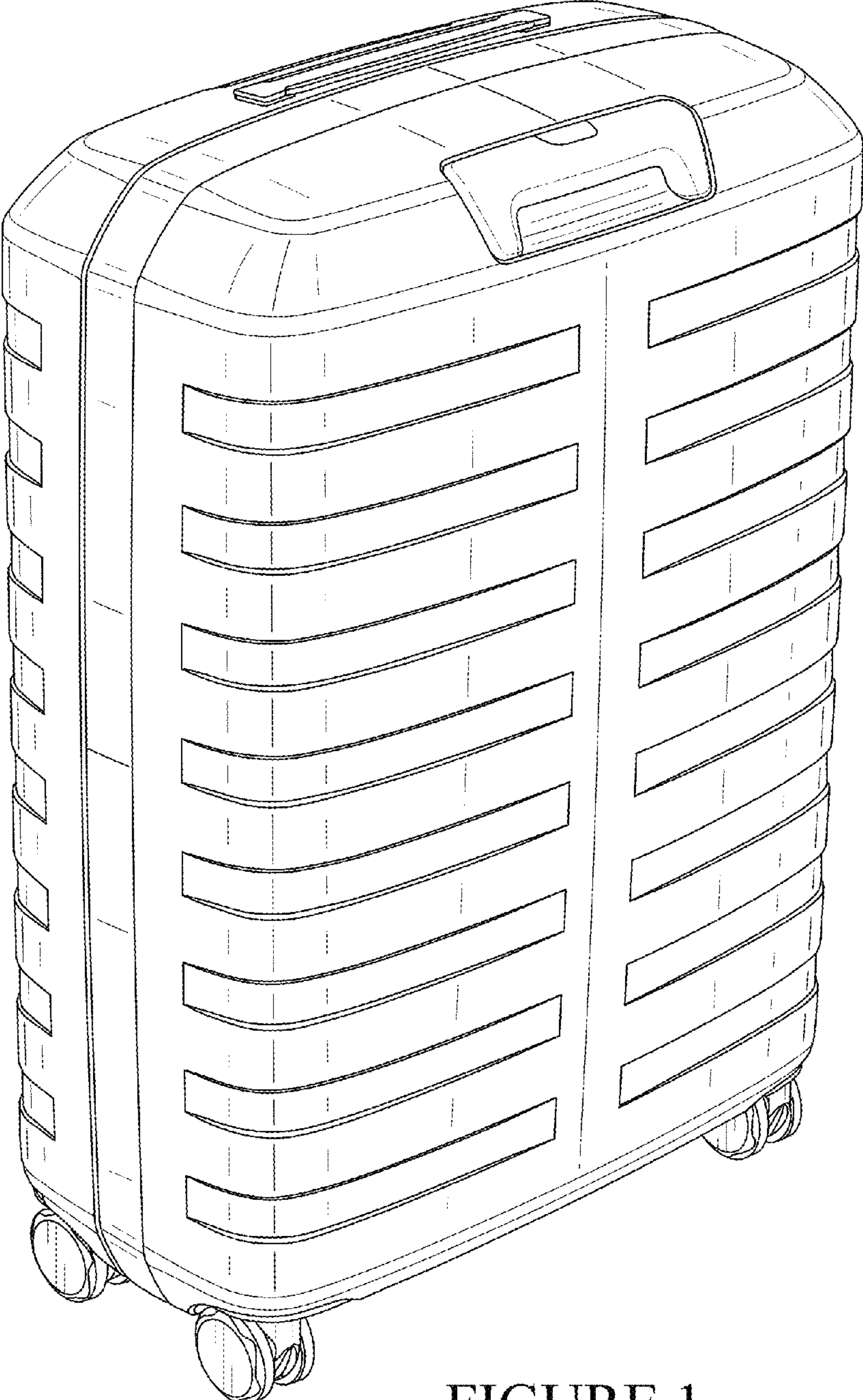


FIGURE 1

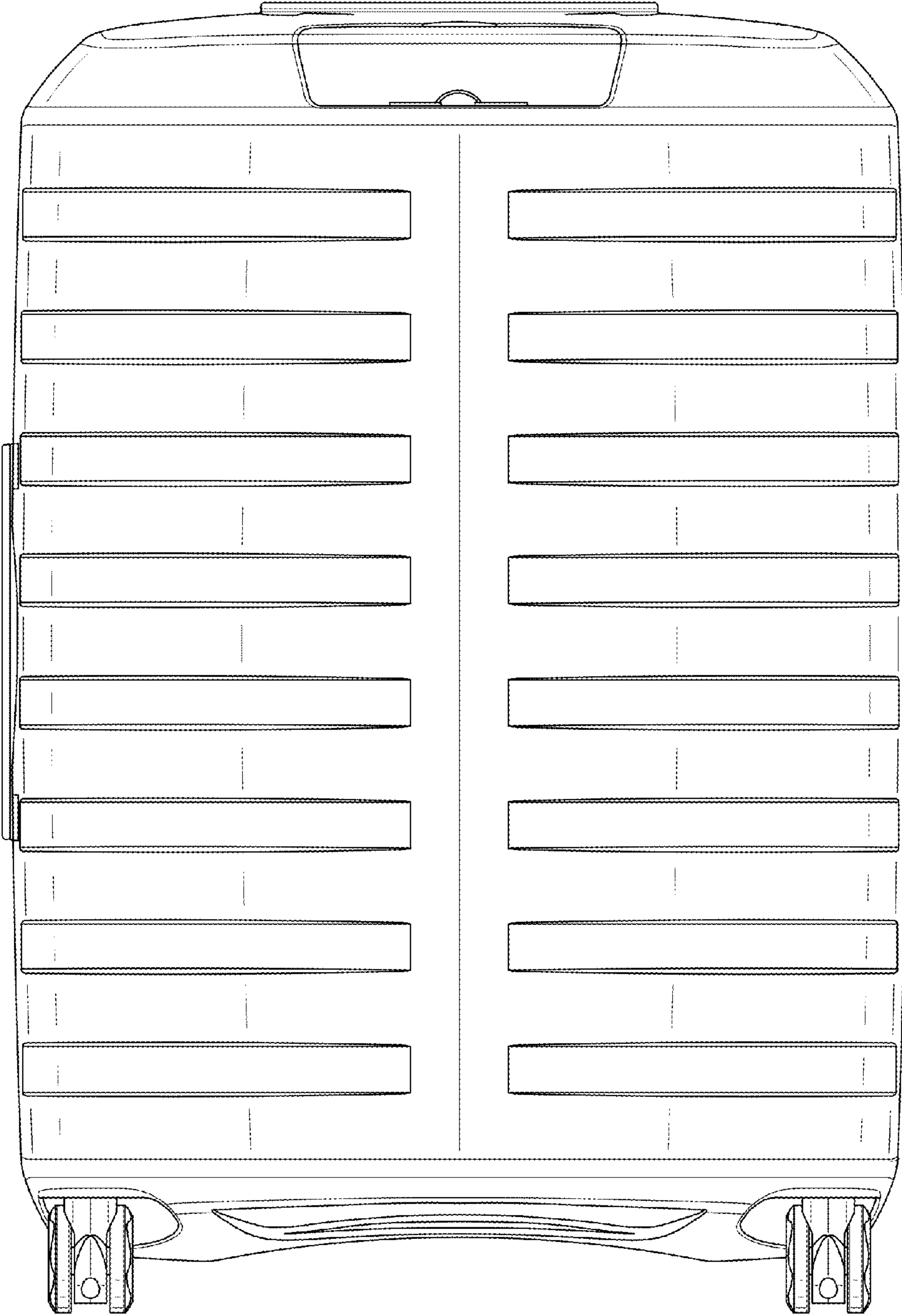


FIGURE 2

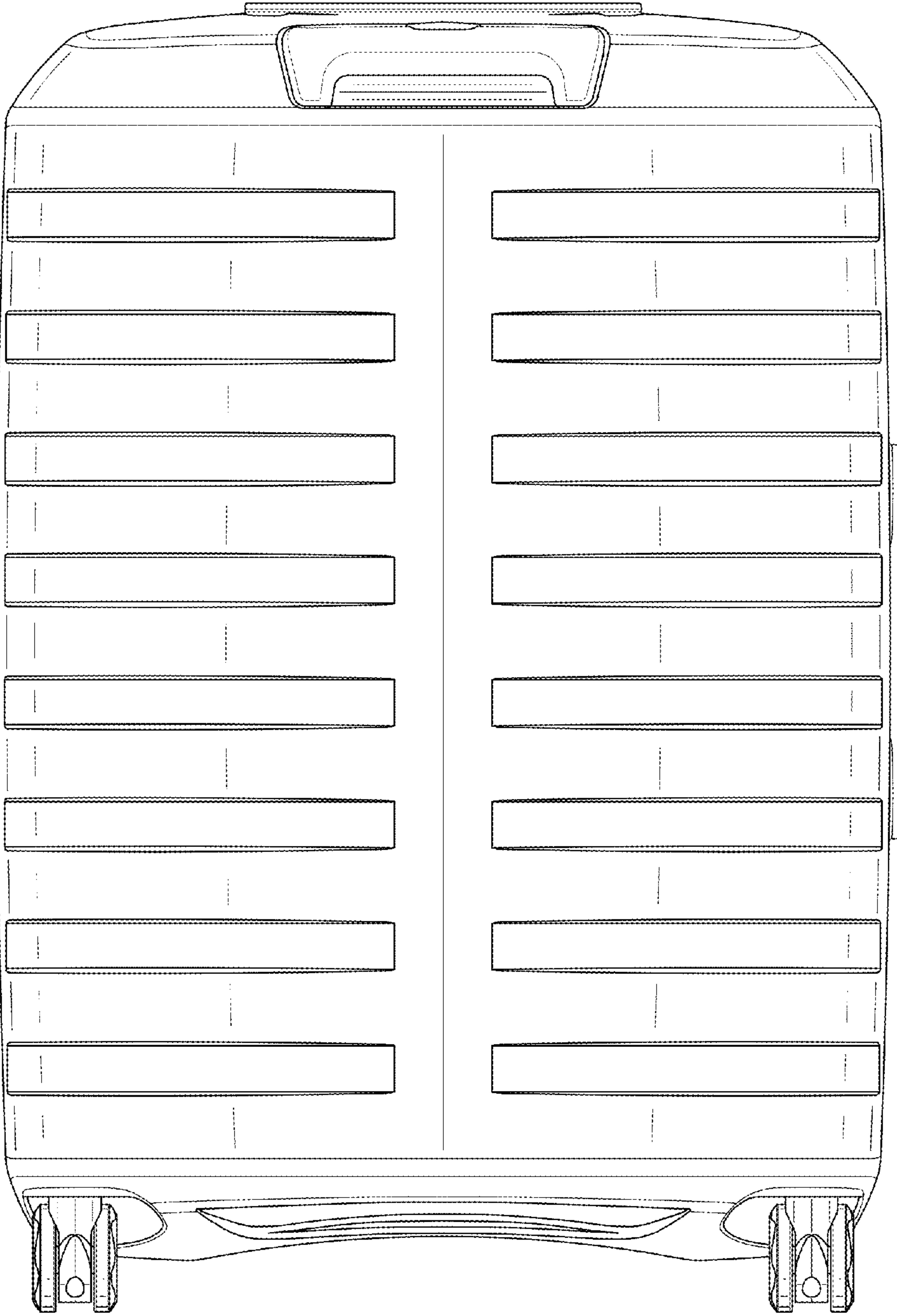


FIGURE 3

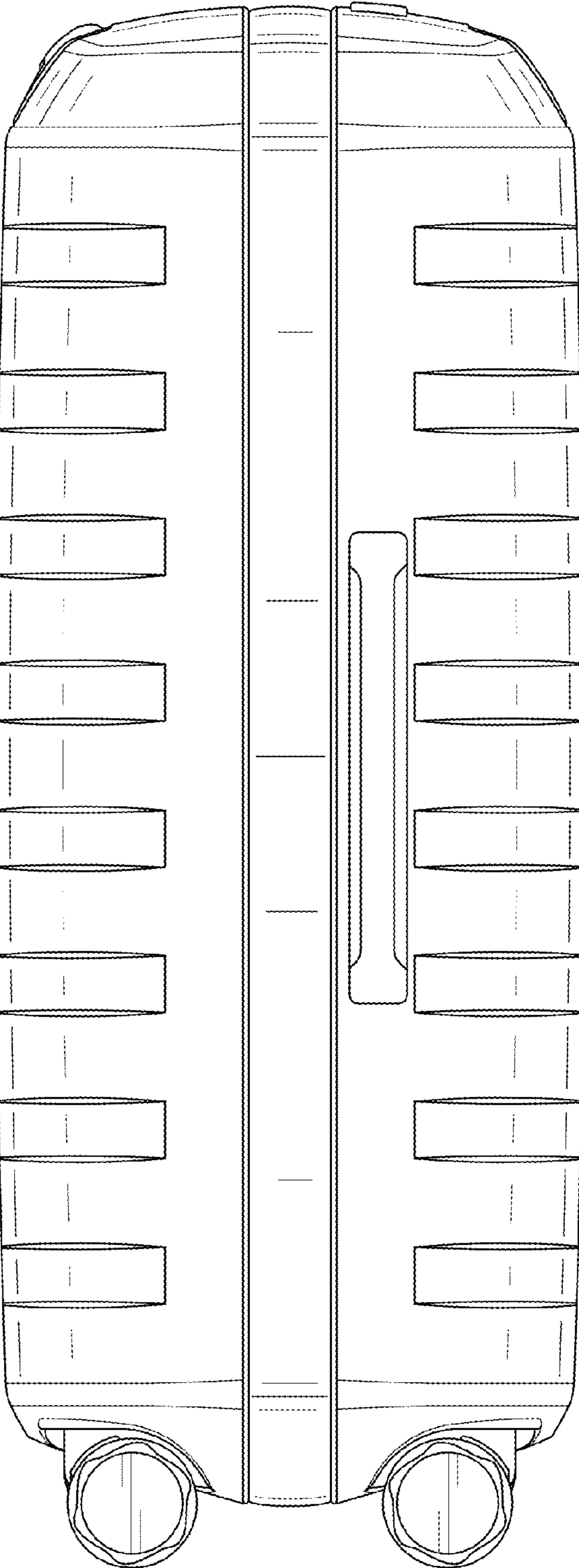


FIGURE 4

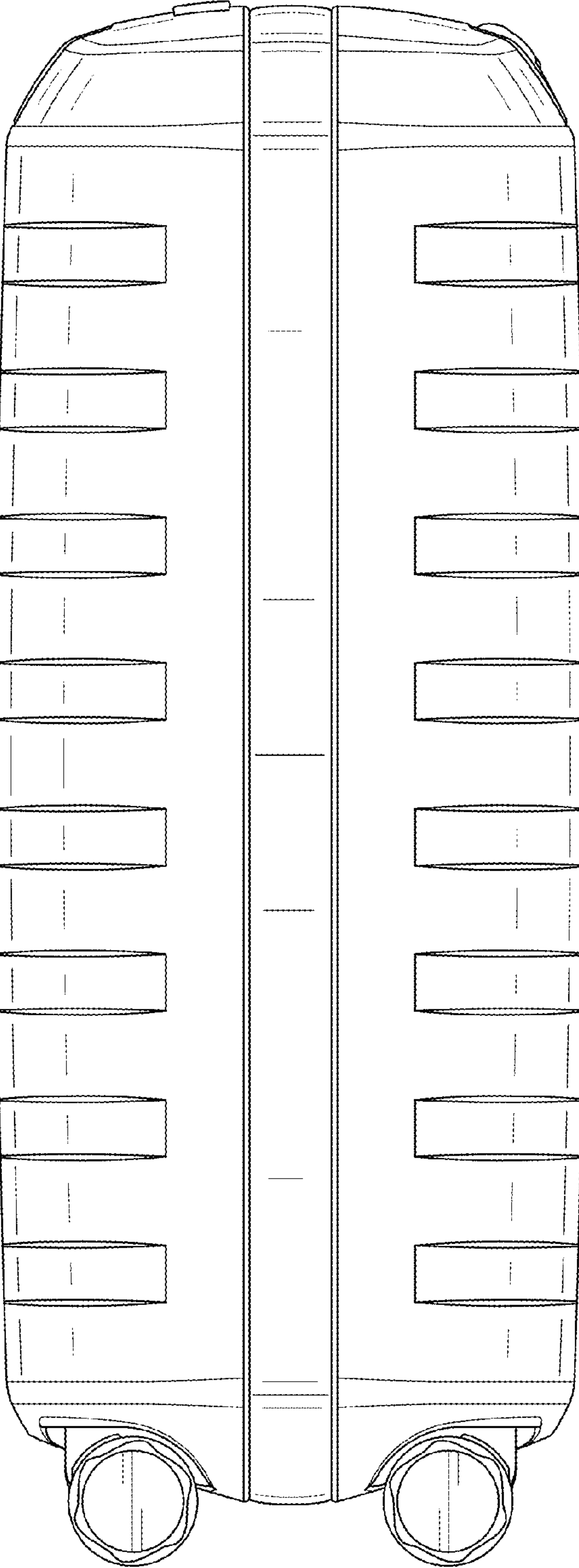


FIGURE 5

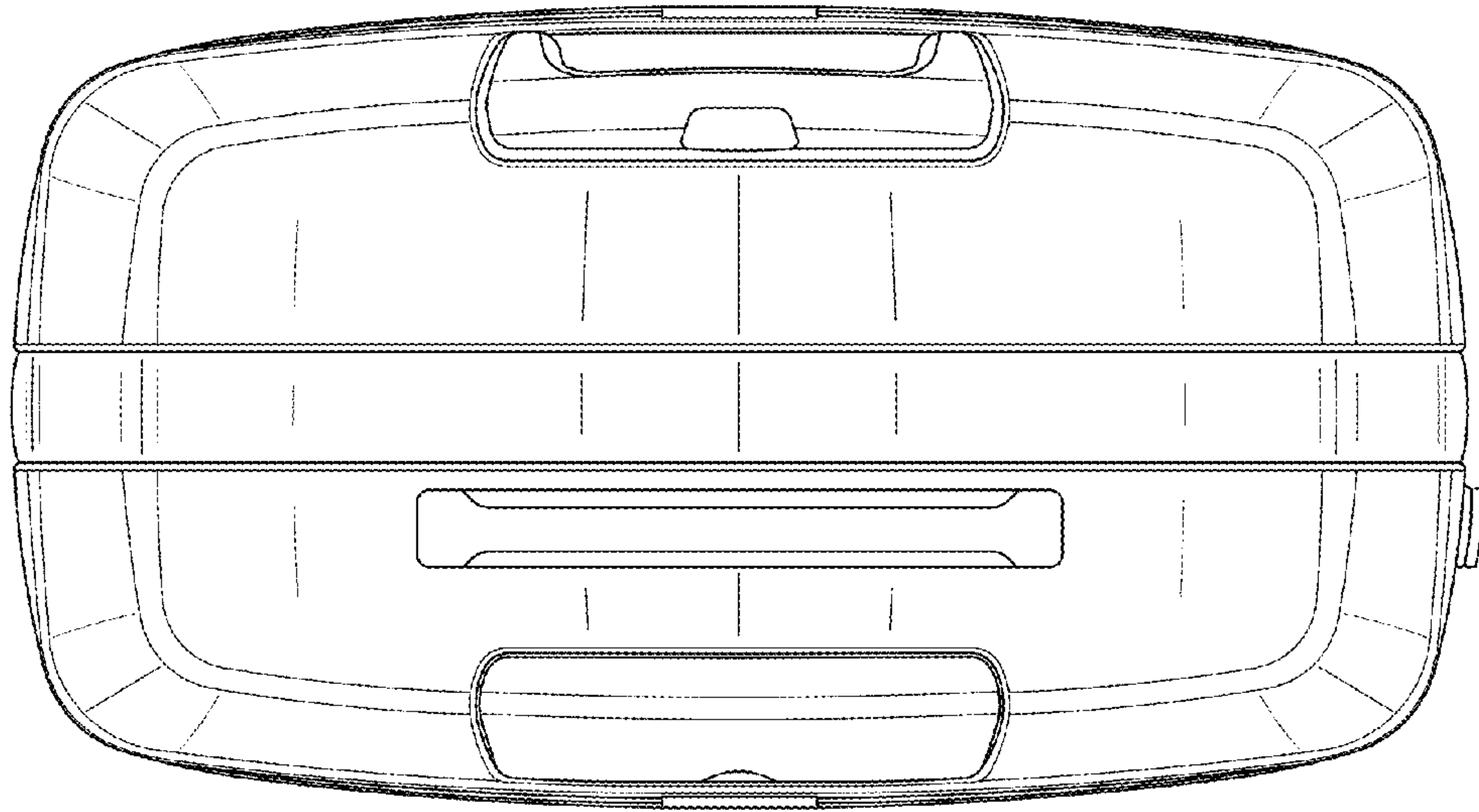


FIGURE 6

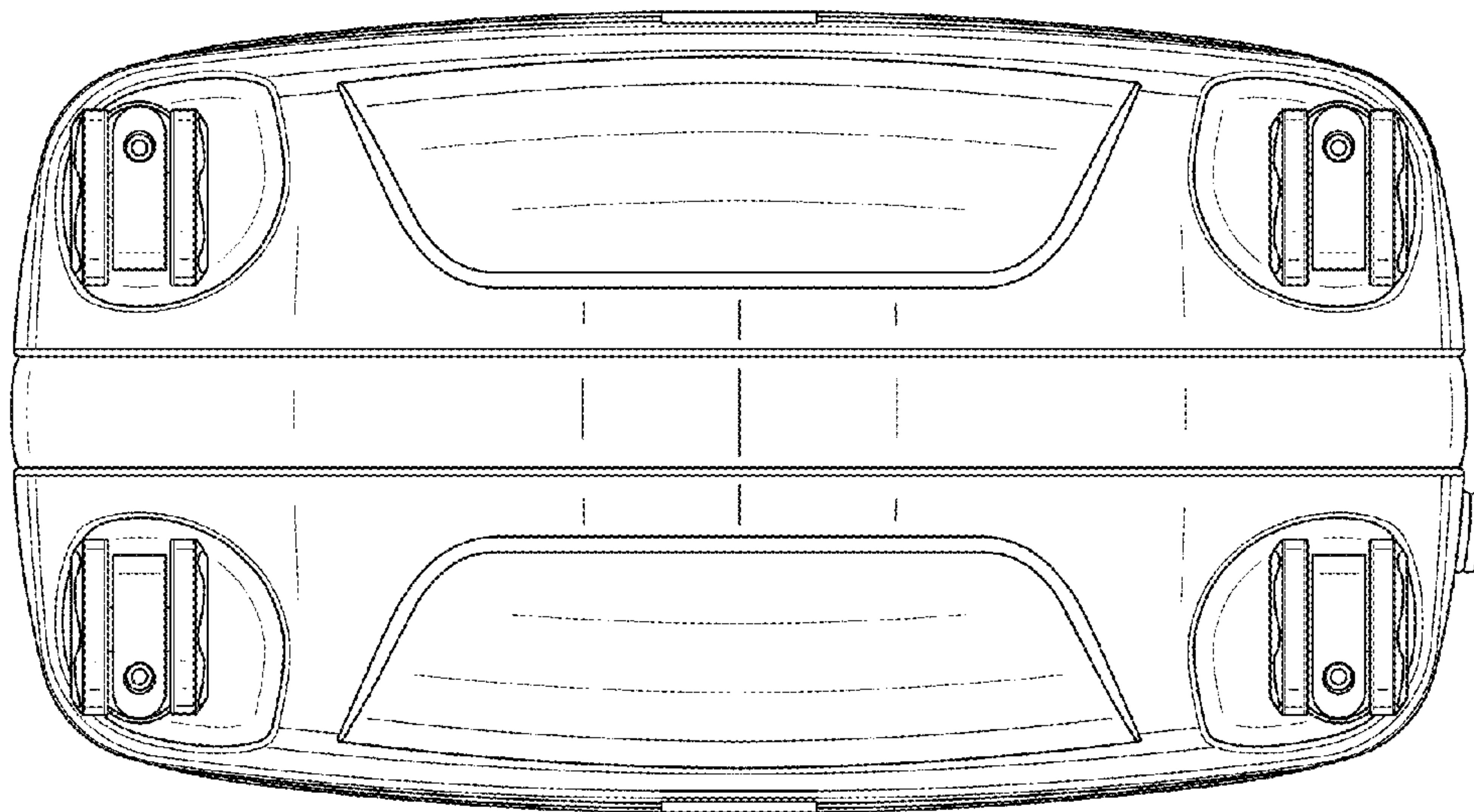


FIGURE 7