



US00D720927S

(12) **United States Design Patent**  
**Liao et al.**

(10) **Patent No.:** **US D720,927 S**  
(45) **Date of Patent:** **\*\* Jan. 13, 2015**

(54) **TOOL BOX**

(71) Applicants: **Ying-Chieh Liao**, Taichung (TW);  
**Yu-Kuo Liao**, Taichung (TW)

(72) Inventors: **Ying-Chieh Liao**, Taichung (TW);  
**Yu-Kuo Liao**, Taichung (TW)

(\*\*) Term: **14 Years**

(21) Appl. No.: **29/496,963**

(22) Filed: **Jul. 18, 2014**

(51) **LOC (10) Cl.** ..... **03-01**

(52) **U.S. Cl.**  
USPC ..... **D3/273; D3/905; D3/302**

(58) **Field of Classification Search**  
CPC . B25H 3/02-3/028; B25H 3/00; B25H 3/003;  
B25H 3/006  
USPC ..... D3/276, 279, 281, 282, 283, 284, 291,  
D3/294, 295, 297, 298, 901, 905, 288, 292,  
D3/273, 302; 206/372-379, 1.7;  
220/523-528; D19/106  
See application file for complete search history.

(56) **References Cited**

**U.S. PATENT DOCUMENTS**

D243,230 S *	2/1977	Kleiner .....	D9/426
D317,868 S *	7/1991	Fielder .....	D12/414.1
D348,155 S *	6/1994	McCreary et al. ....	D3/295
D358,765 S *	5/1995	Dickinson et al. ....	D3/279
5,490,975 A *	2/1996	Dane .....	422/300
D513,121 S *	12/2005	Rosine et al. ....	D3/273

D531,798 S *	11/2006	Ringo .....	D3/273
D597,383 S *	8/2009	Masterton et al. ....	D7/629
D650,173 S *	12/2011	Lima et al. ....	D3/293
D694,616 S *	12/2013	Prevost .....	D9/420
D710,098 S *	8/2014	Horowitz .....	D3/276
2013/0233854 A1 *	9/2013	Smyers et al. ....	220/240

\* cited by examiner

*Primary Examiner* — Jennifer Rivard

*Assistant Examiner* — April Rivas

(74) *Attorney, Agent, or Firm* — Muncy, Geissler, Olds & Lowe, P.C.

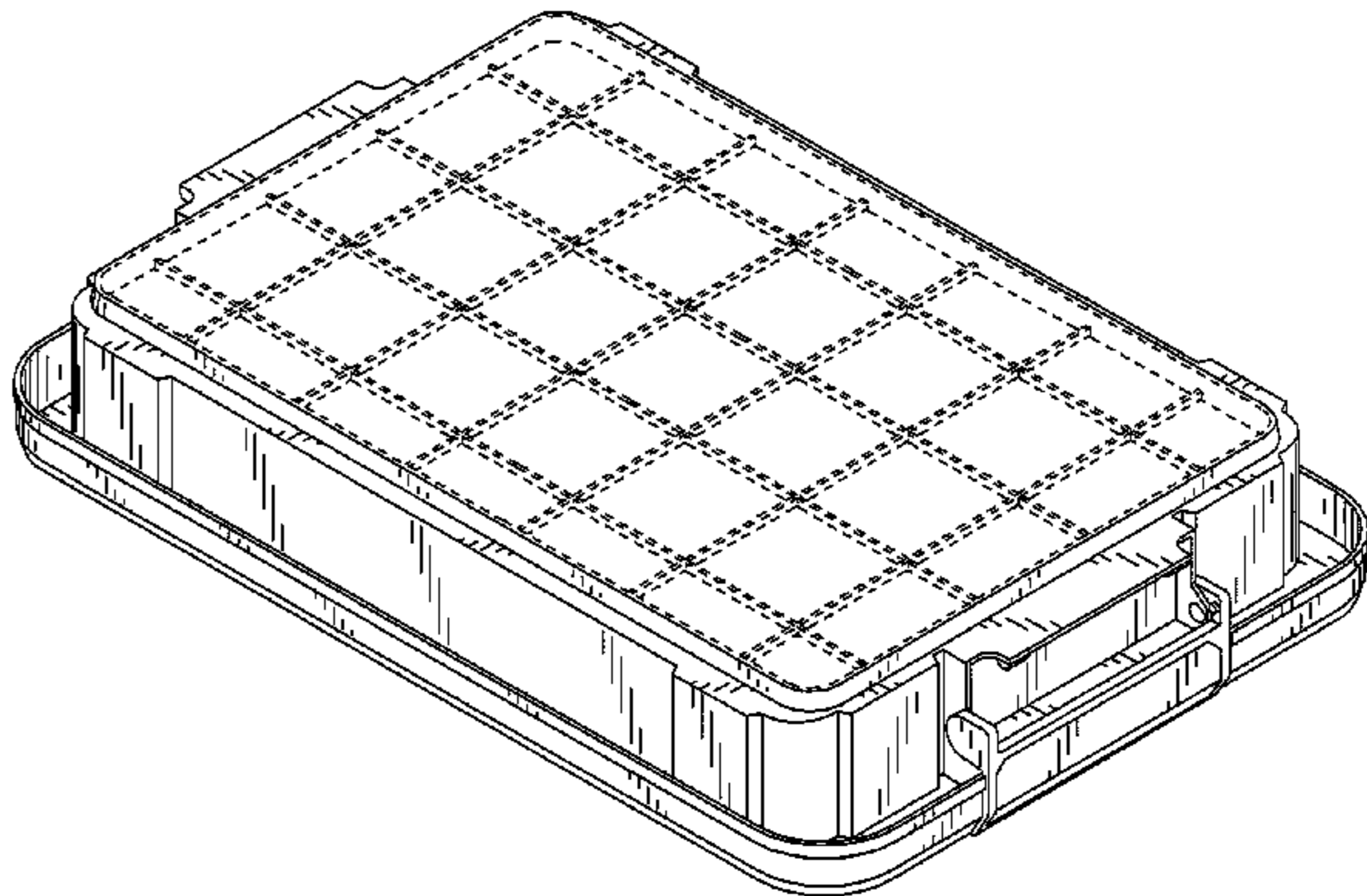
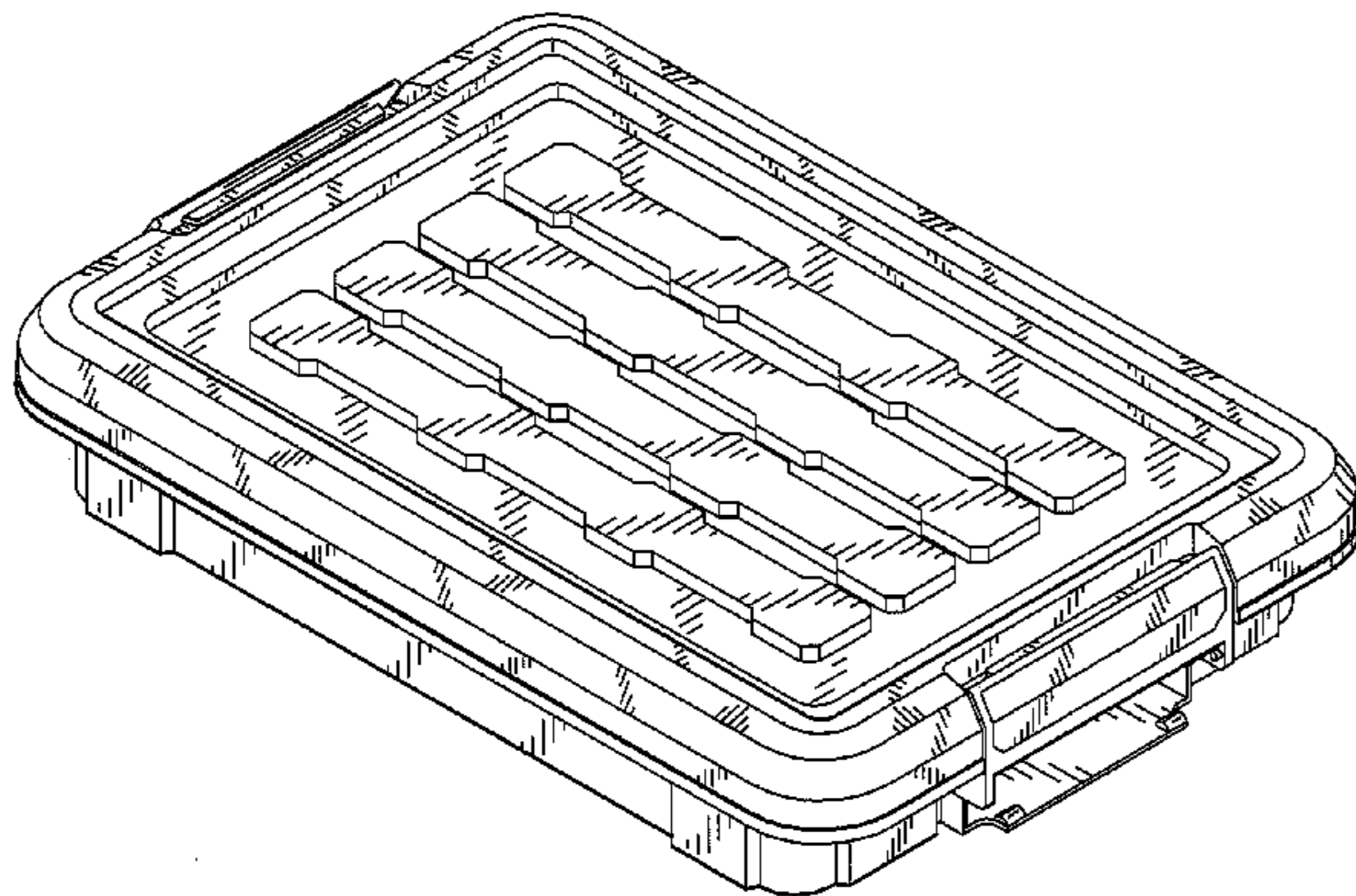
(57) **CLAIM**

We claim the ornamental design for a tool box, as shown and described.

**DESCRIPTION**

FIG. 1 is a right, front, top perspective view of a tool box showing our new design;  
 FIG. 2 is a front elevational view thereof, the rear being a mirror image;  
 FIG. 3 is a left side view thereof; the right side being a mirror image;  
 FIG. 4 is a top plan view thereof;  
 FIG. 5 is a bottom plan view thereof; and,  
 FIG. 6 is a right, rear, and bottom perspective view of a tool box showing our new design. The left, rear, and bottom perspective view being a mirror image thereof.  
 The broken lines in the drawings illustrate portions of the tool box which form no part of the claimed design.

**1 Claim, 5 Drawing Sheets**



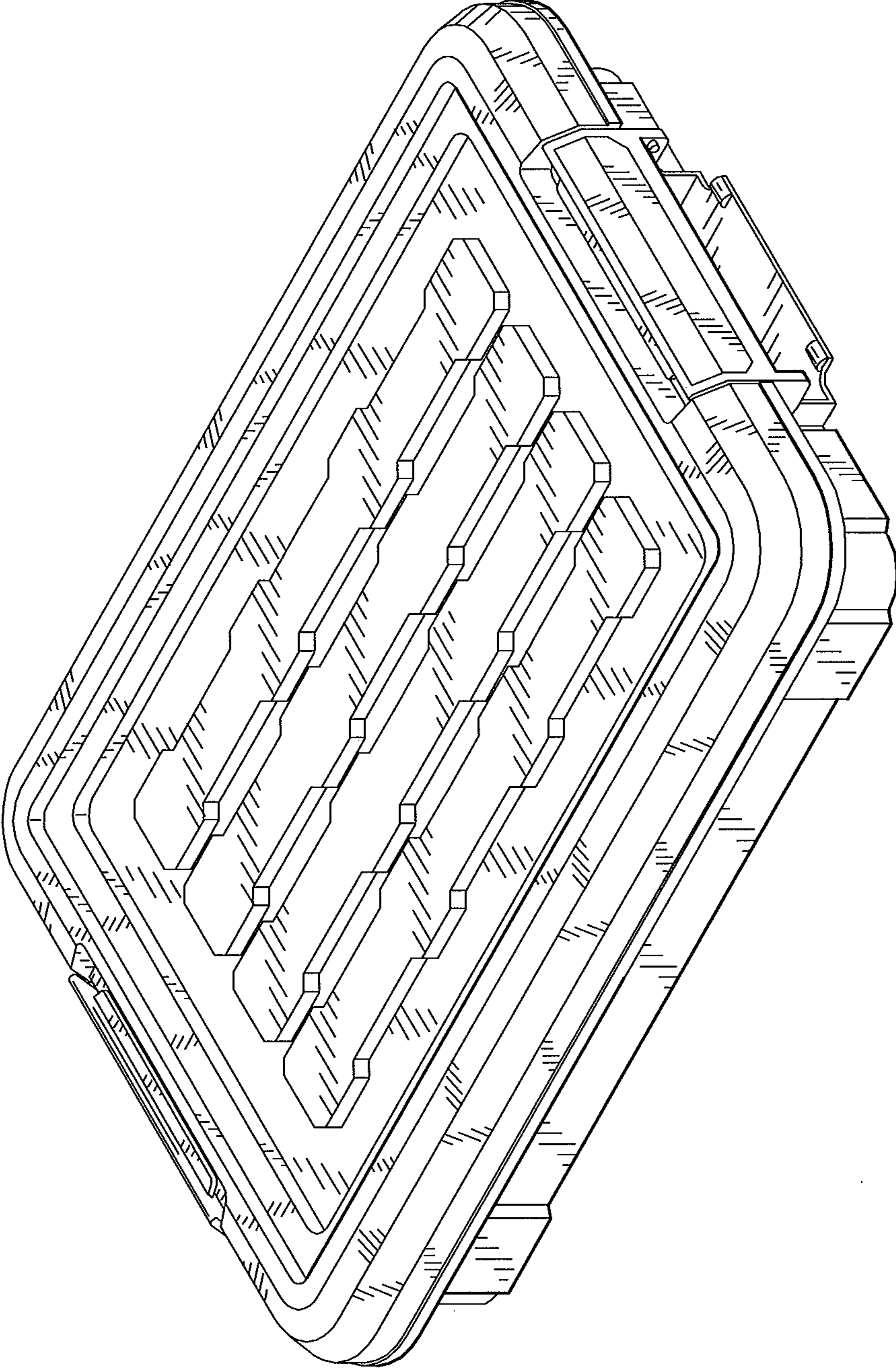


FIG. 1

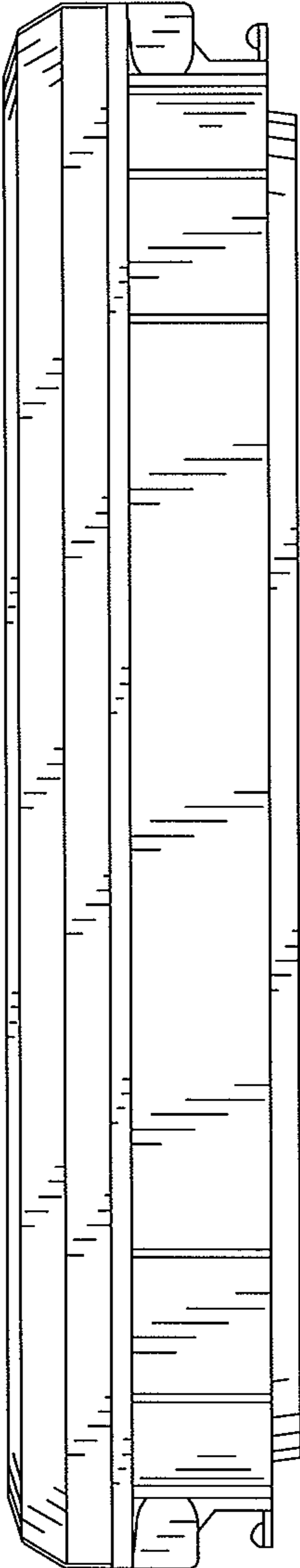


FIG. 2

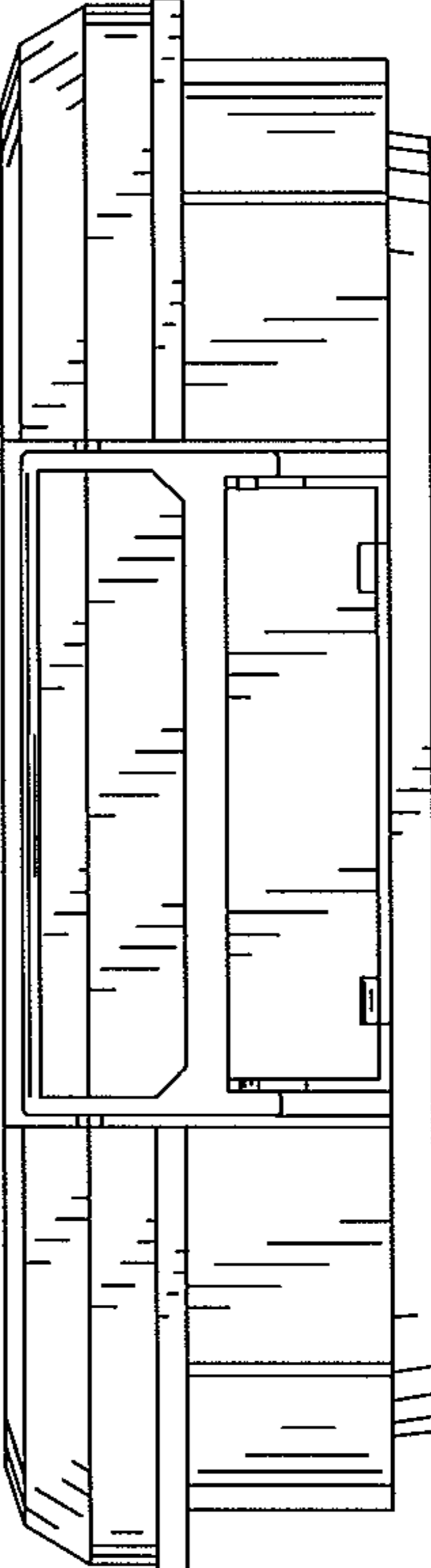


FIG. 3

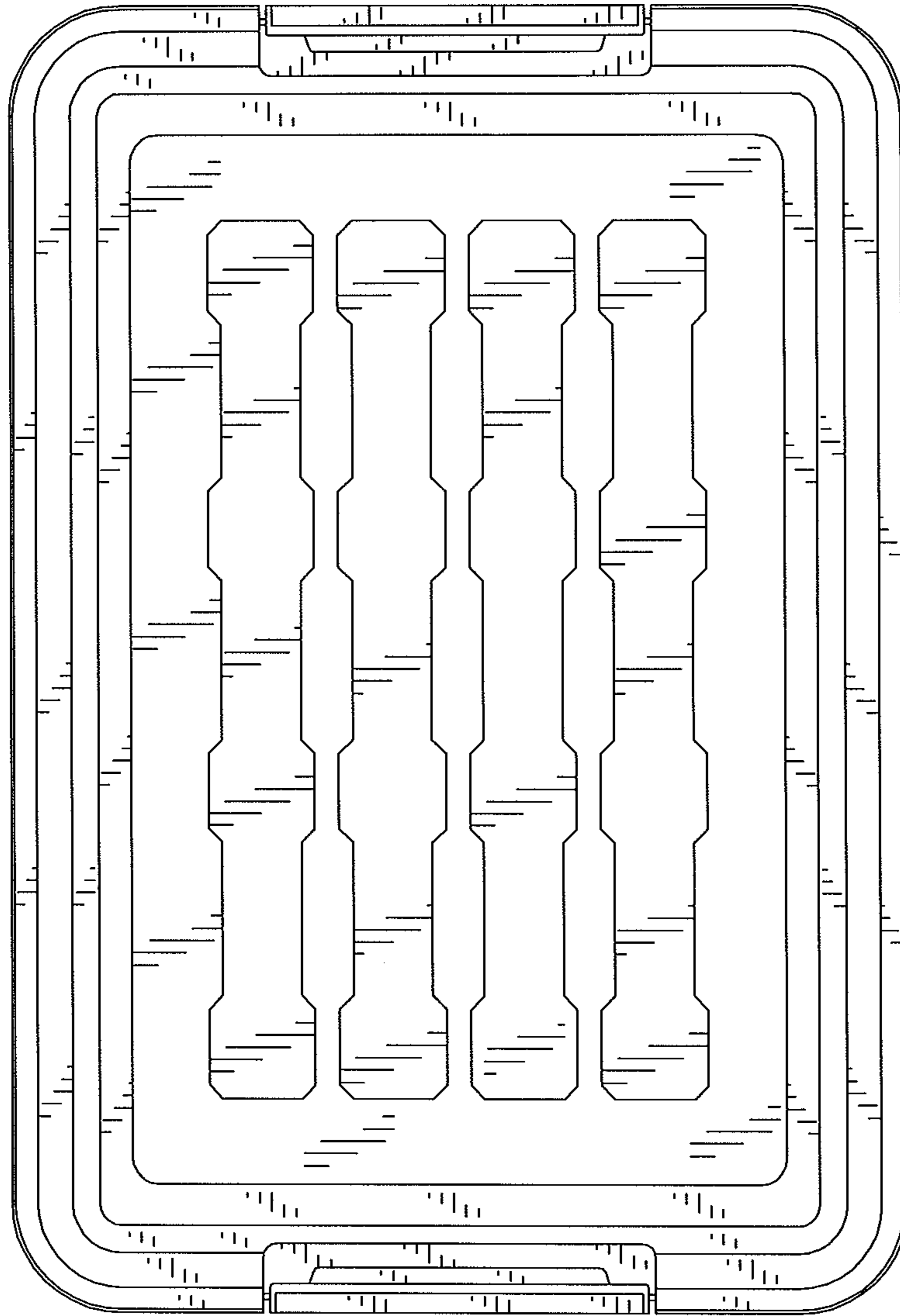


FIG. 4

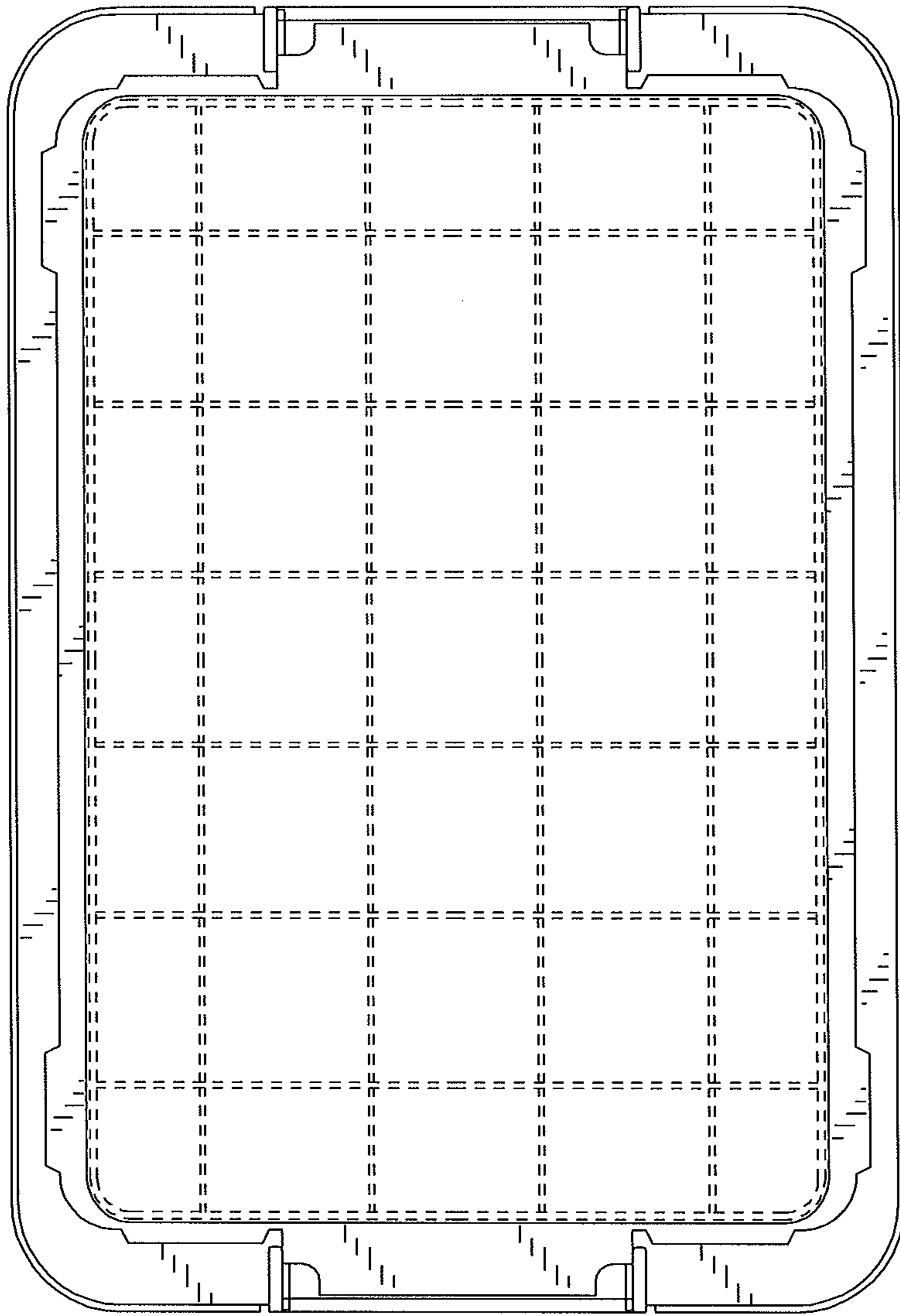


FIG. 5

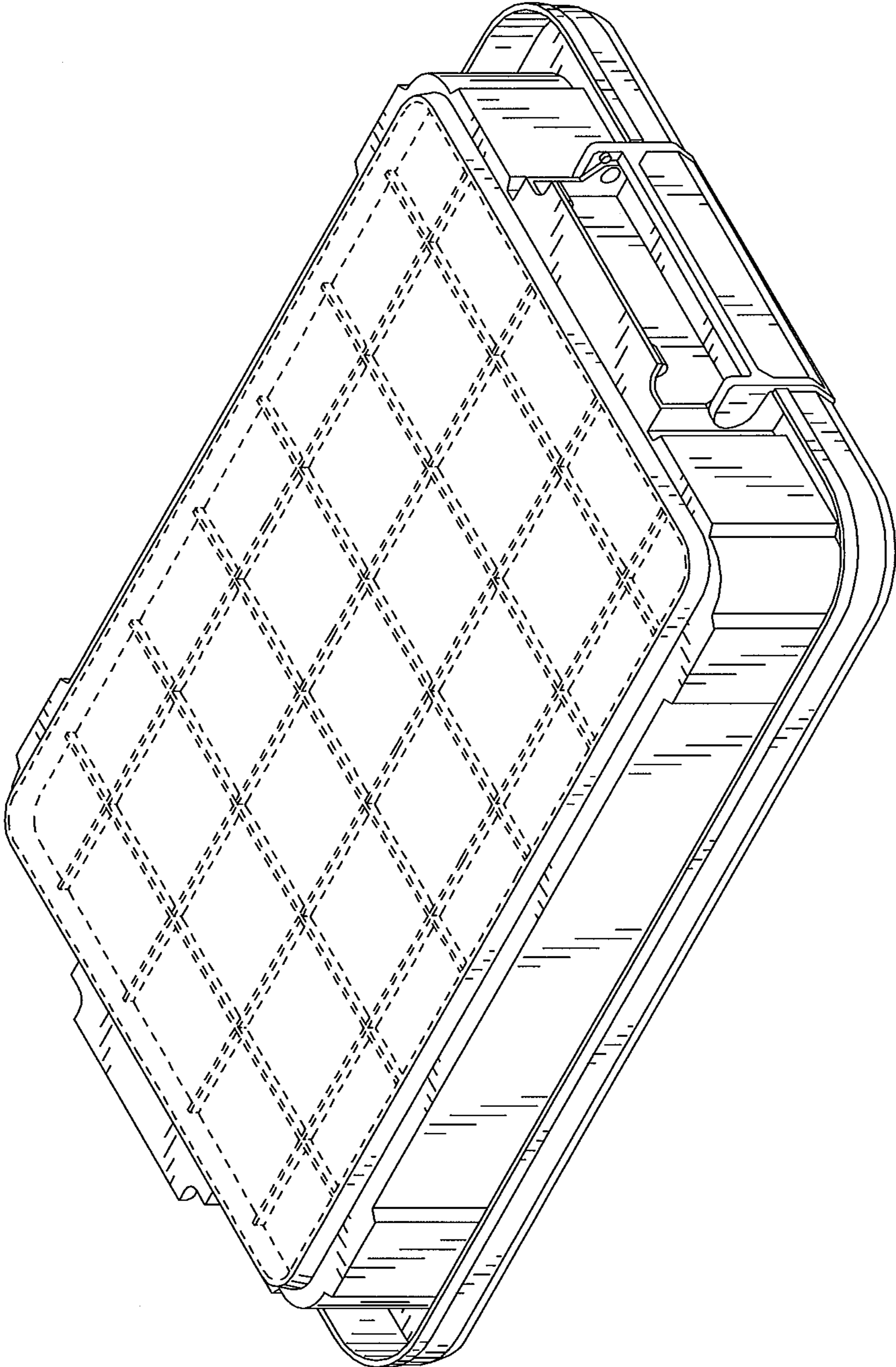


FIG. 6