



US00D720925S

(12) **United States Design Patent**  
**Jones**

(10) **Patent No.:** **US D720,925 S**  
(45) **Date of Patent:** **\*\* Jan. 13, 2015**

(54) **BAG**  
(71) Applicant: **Sandra Jones**, Clifton Park, NY (US)  
(72) Inventor: **Sandra Jones**, Clifton Park, NY (US)  
(73) Assignee: **Shop Sandy LLC**, Clifton Park, NY (US)  
(\*\*) Term: **14 Years**

*Primary Examiner* — Holly Baynham  
(74) *Attorney, Agent, or Firm* — Matthew J. Kinnier; Hoffman Warnick LLC

(21) Appl. No.: **29/466,996**  
(22) Filed: **Sep. 13, 2013**  
(51) **LOC (10) Cl.** ..... **03-01**  
(52) **U.S. Cl.**  
USPC ..... **D3/232**  
(58) **Field of Classification Search**  
CPC ..... A45C 1/024; A45C 3/06  
USPC ..... D3/232–233, 240–243, 245–246;  
150/100, 103–110, 113–114, 117–119  
See application file for complete search history.

(57) **CLAIM**  
The ornamental design for a bag, as shown and described.

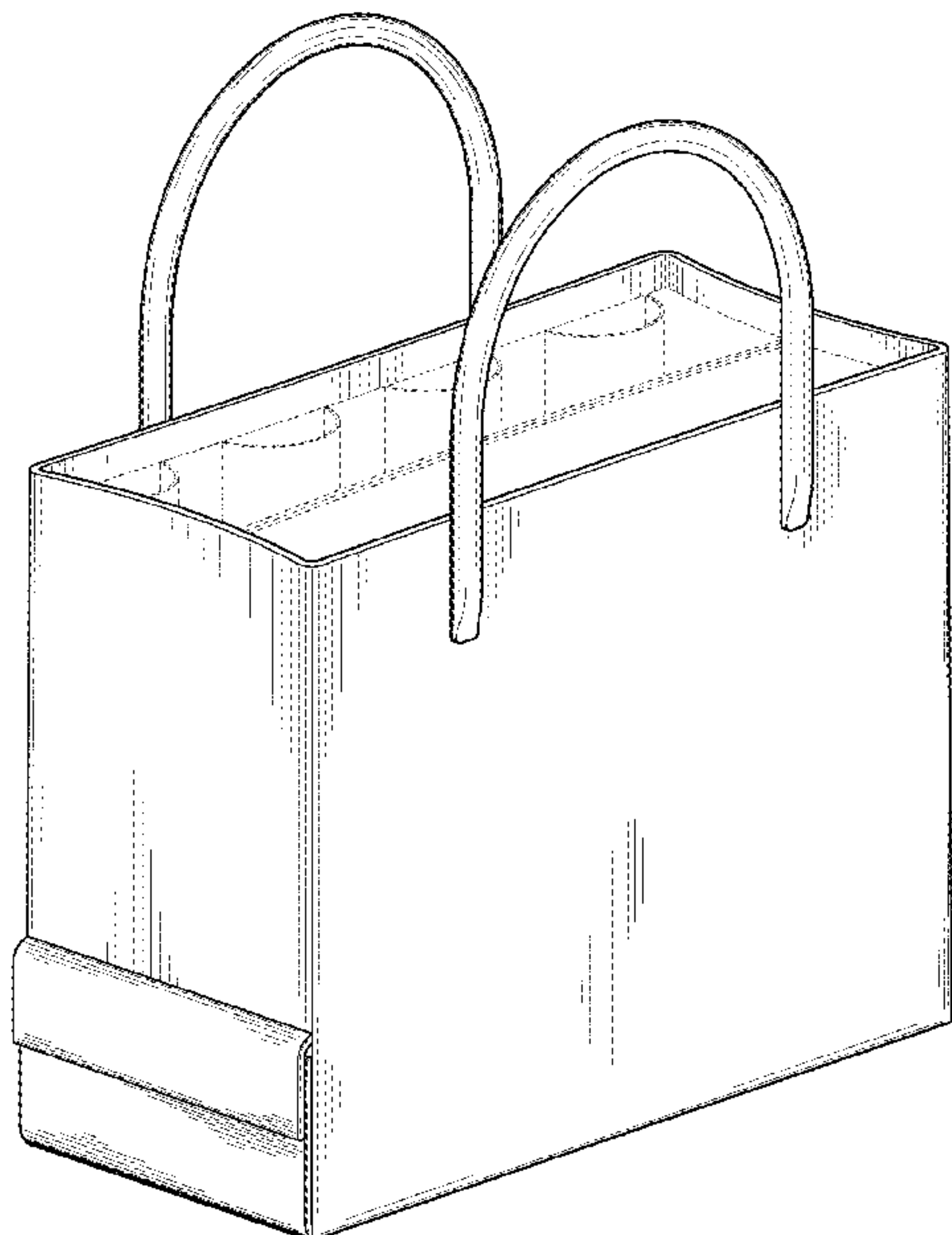
**DESCRIPTION**

FIG. 1 is a perspective view of a bag according to a first embodiment of the present design.  
FIG. 2 is a front view of the first embodiment.  
FIG. 3 is a side view of the first embodiment.  
FIG. 4 is a plane view of the first embodiment.  
FIG. 5 is a bottom view of the first embodiment.  
FIG. 6 is a perspective view of a bag an alternate position.  
FIG. 7 is a front view.  
FIG. 8 is a left side view.  
FIG. 9 is a right side view.  
FIG. 10 is a plan view.  
FIG. 11 is a bottom view.  
FIG. 12 is a perspective exploded view.  
FIG. 13 is a perspective view of a bag an alternate position.  
FIG. 14 is a front view.  
FIG. 15 is a side view.  
FIG. 16 is a plan view; and,  
FIG. 17 is a bottom view.  
The broken lines showing interior inserts are for the purpose of illustrating environment and form no part of the claimed design.

(56) **References Cited**  
U.S. PATENT DOCUMENTS  
D596,396 S \* 7/2009 McCoy et al. .... D3/232  
D630,013 S \* 1/2011 Yu ..... D3/232  
D630,844 S \* 1/2011 Wang et al. .... D3/232  
D630,845 S \* 1/2011 Guichot ..... D3/232  
D632,074 S \* 2/2011 Chan et al. .... D3/232  
D641,157 S \* 7/2011 Steele ..... D3/232  
D641,549 S \* 7/2011 Caldwell ..... D3/232  
D670,906 S \* 11/2012 Du ..... D3/243  
D688,449 S \* 8/2013 Schinasi ..... D3/232

\* cited by examiner

**1 Claim, 11 Drawing Sheets**



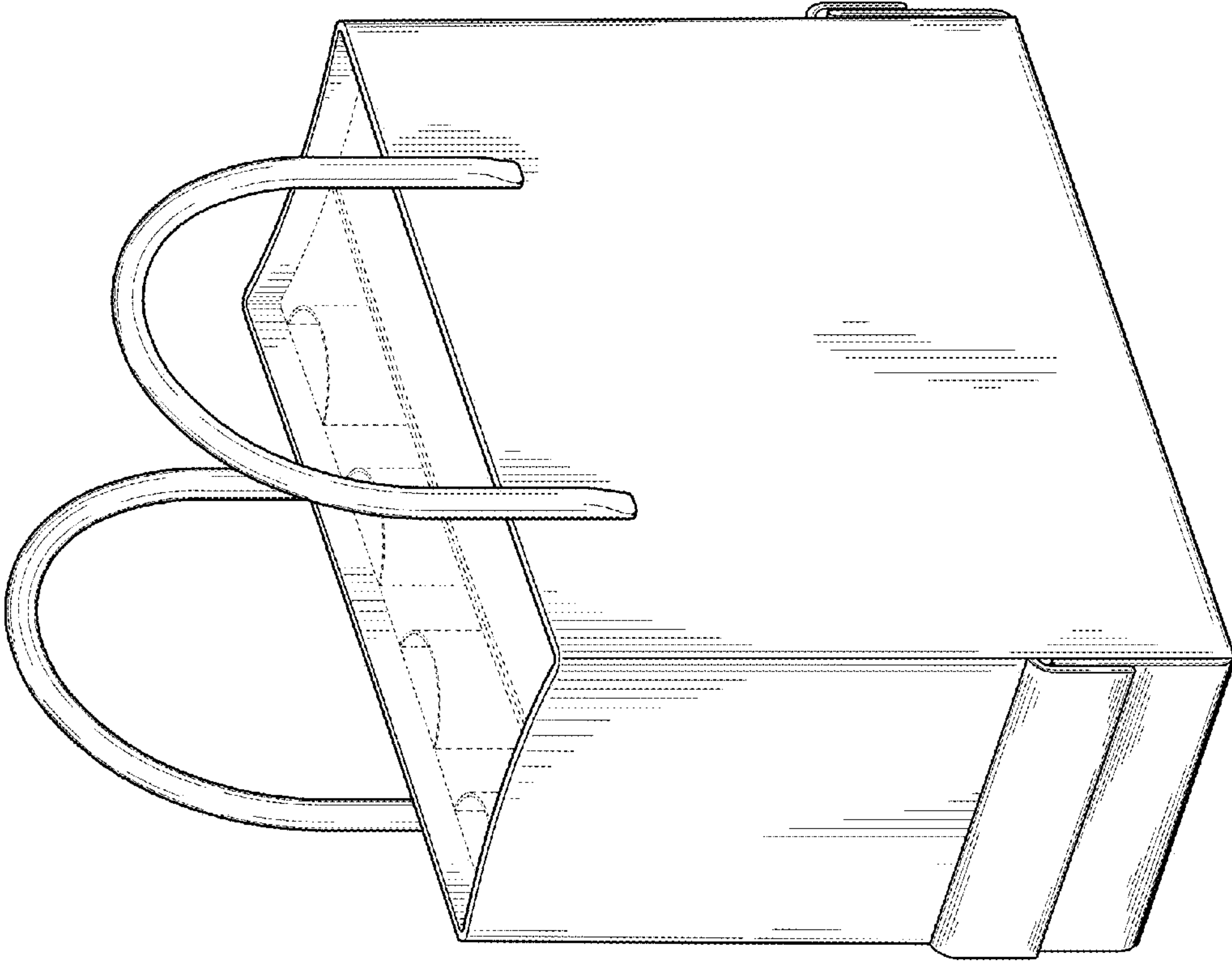


Fig. 1

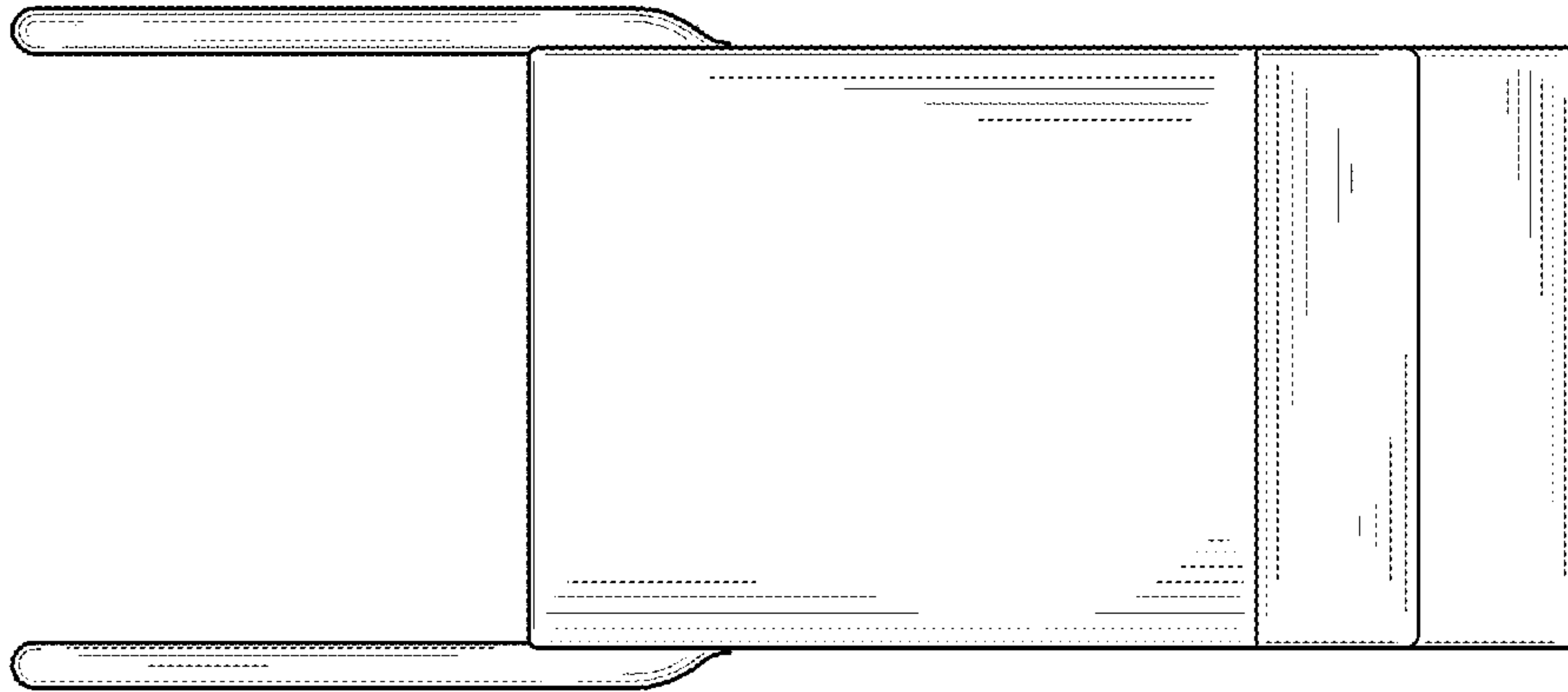


Fig. 3

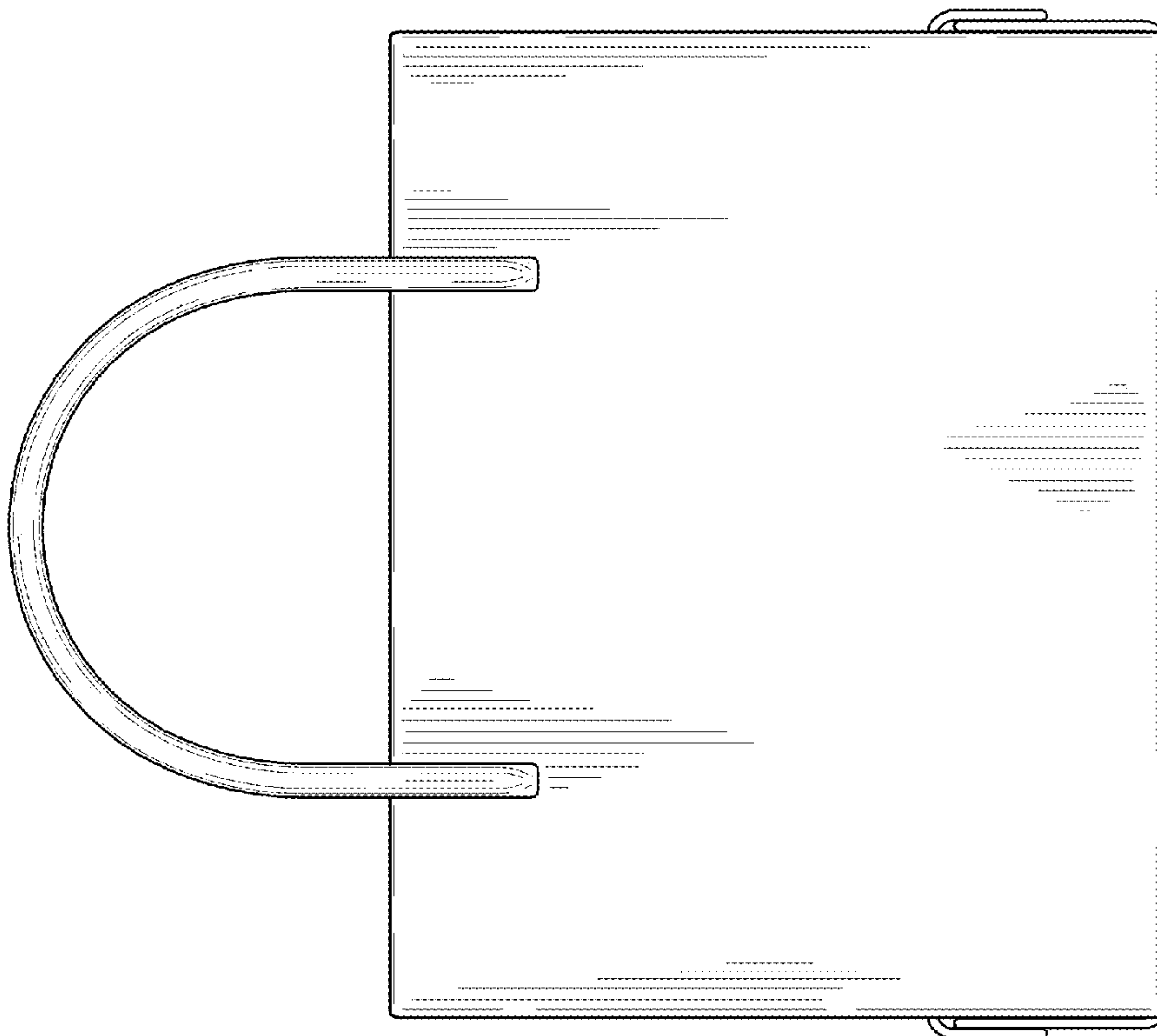


Fig. 2

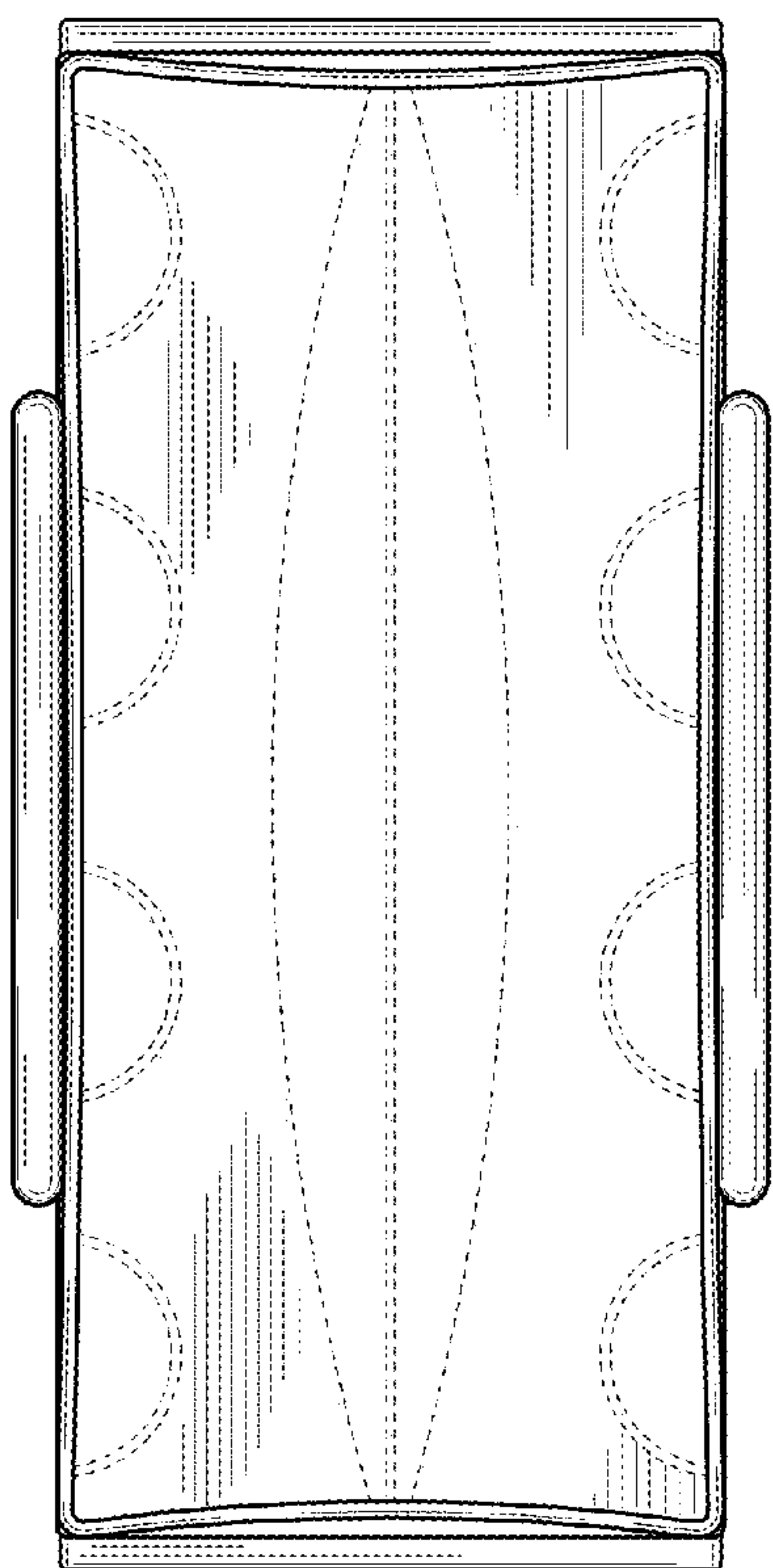


Fig. 4

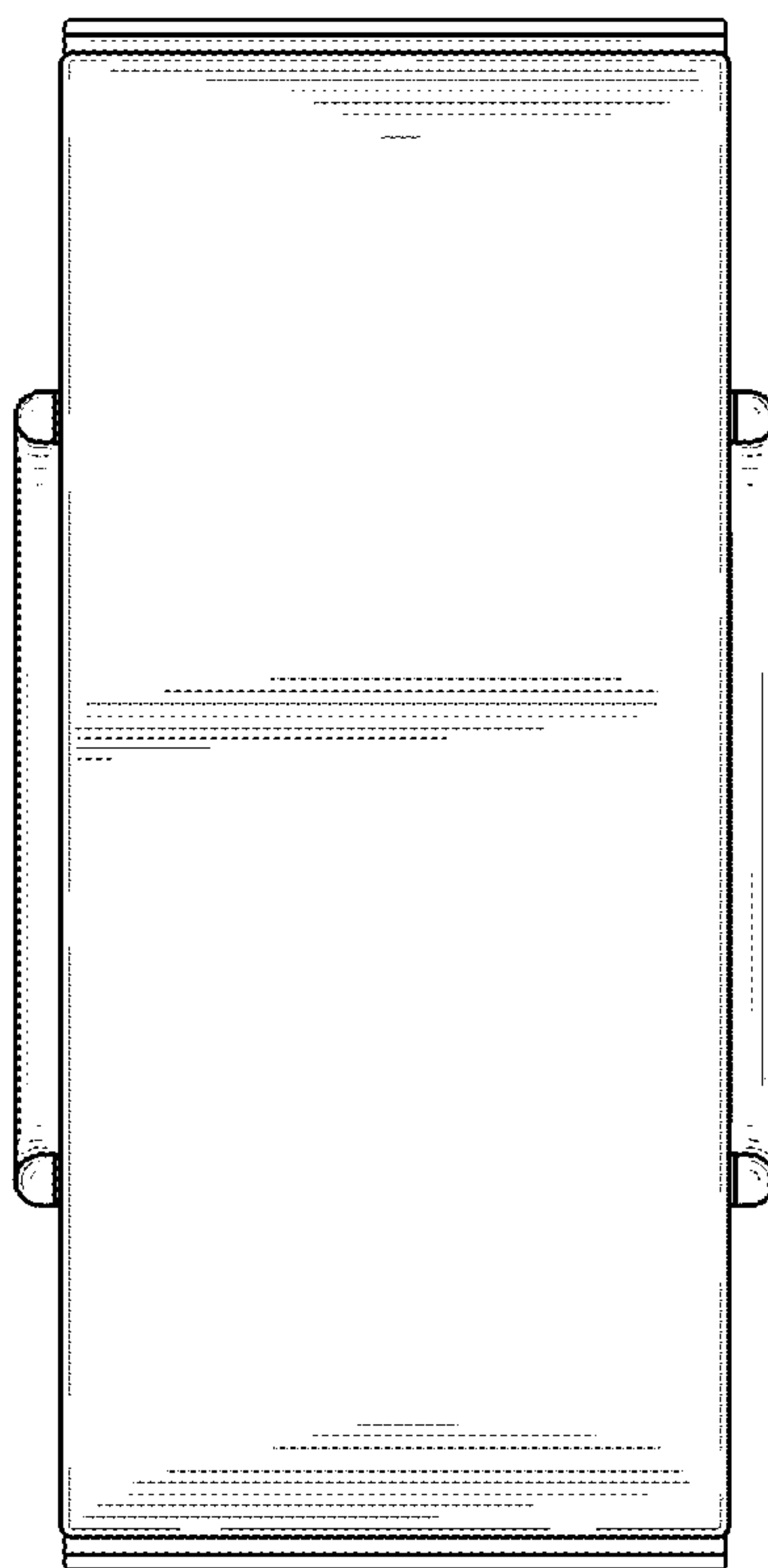


Fig. 5

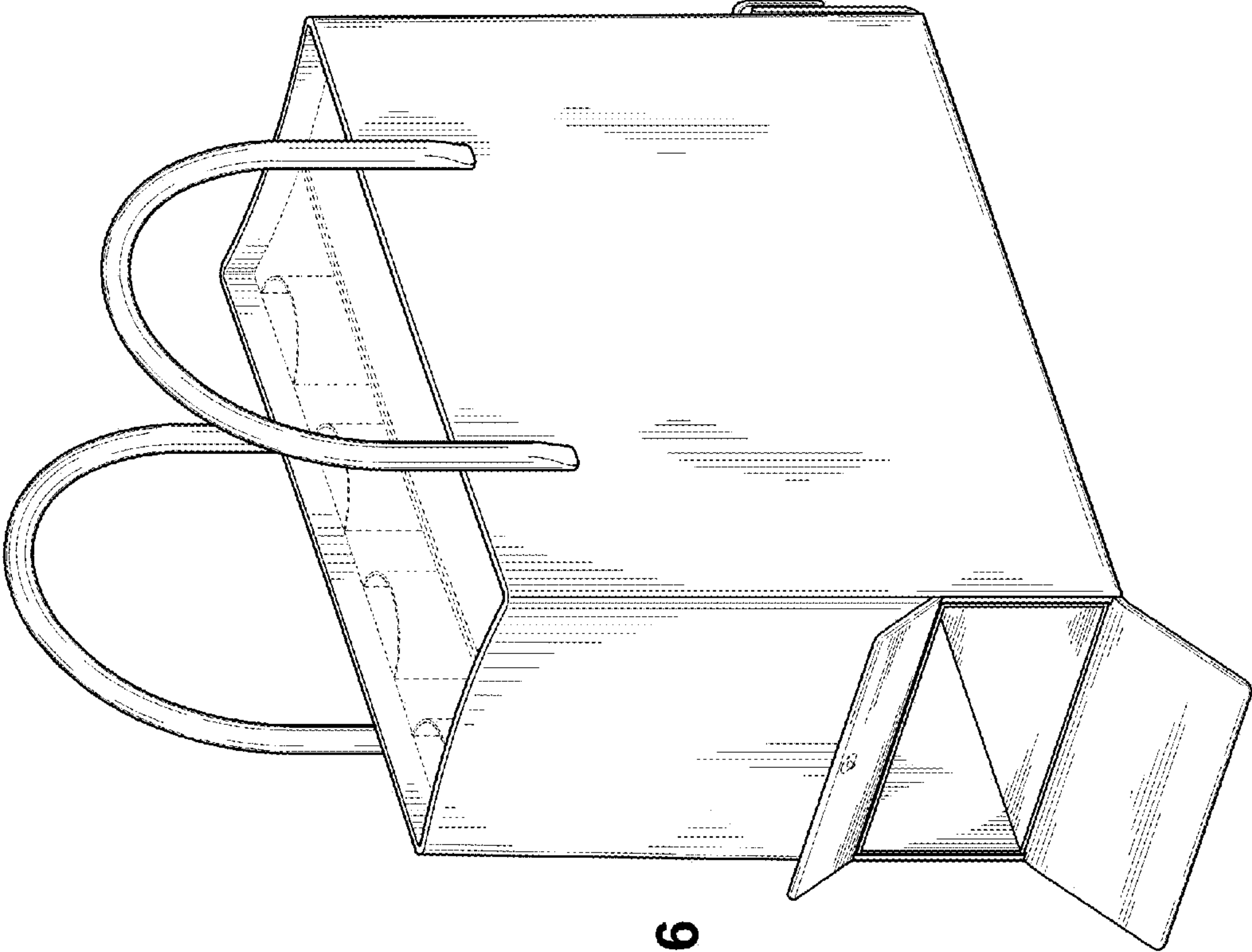


Fig. 6

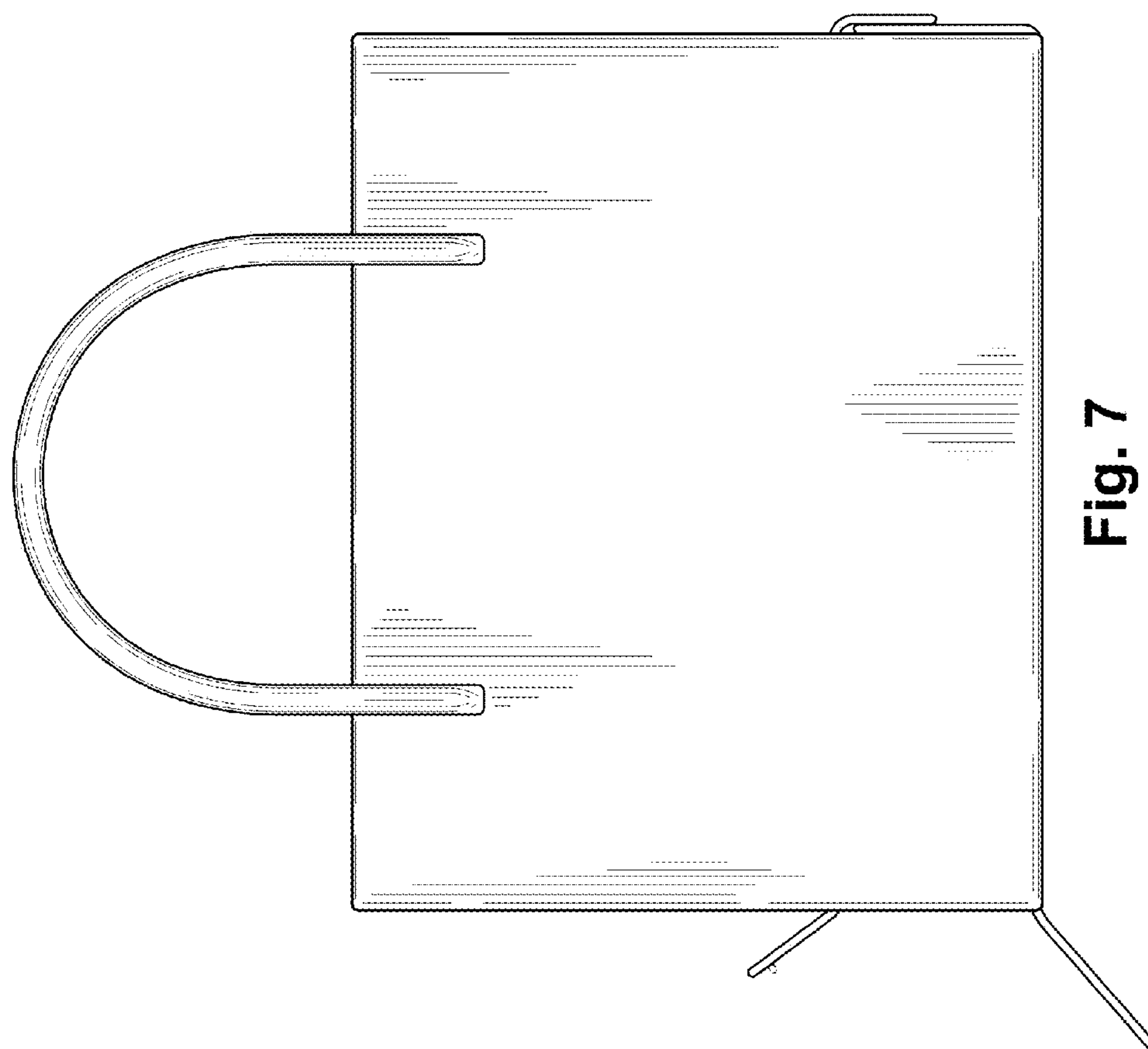


Fig. 7



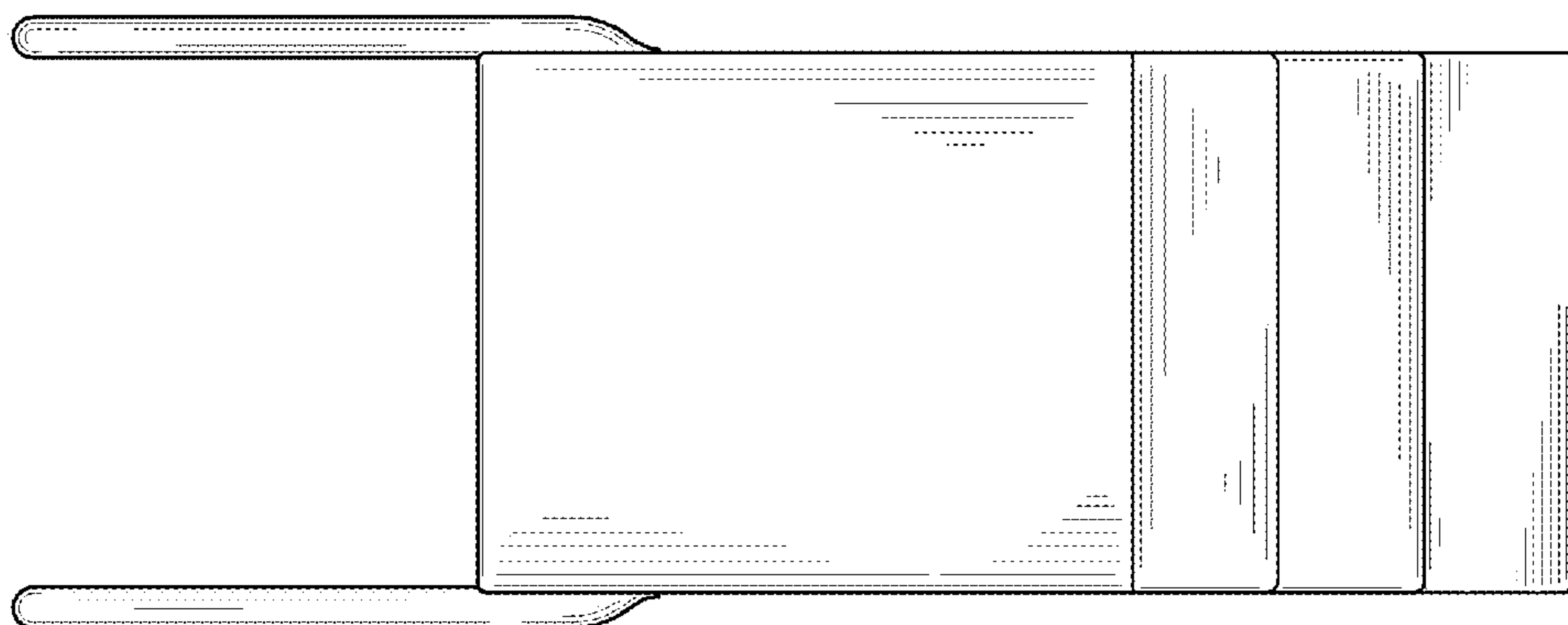


Fig. 9

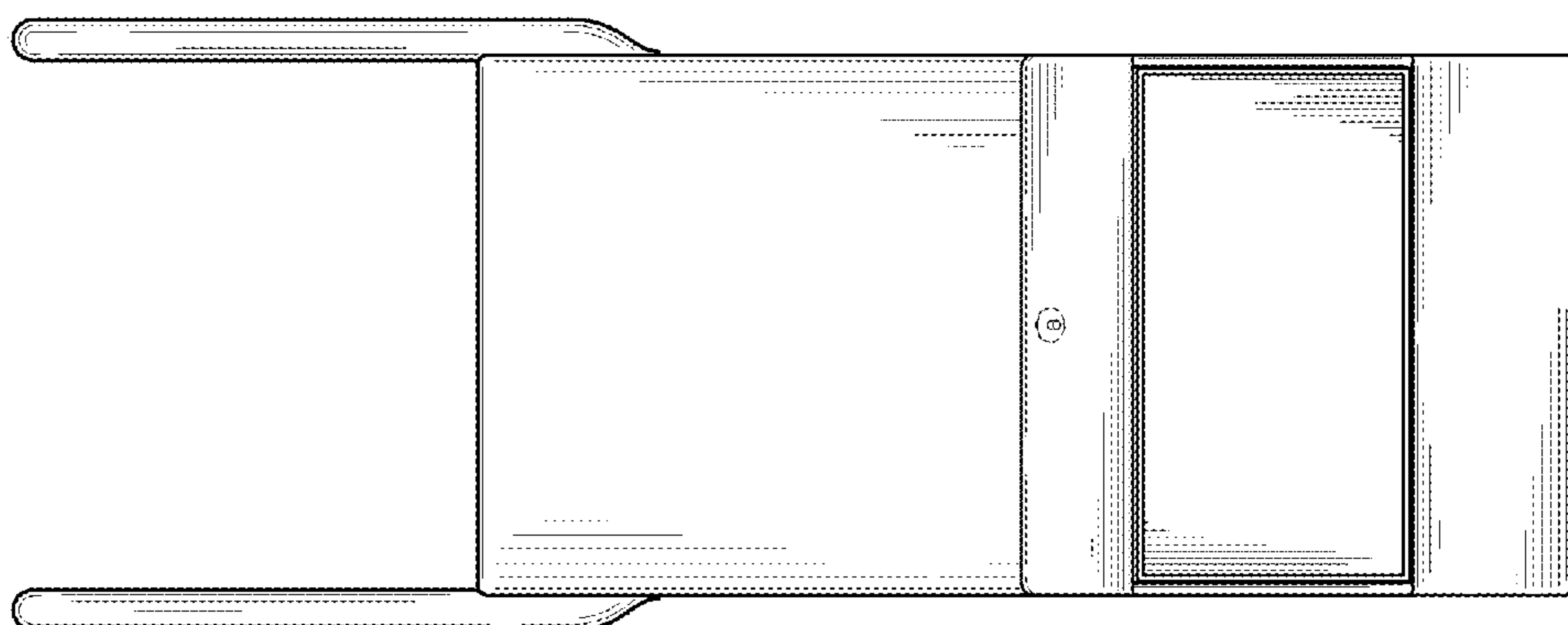


Fig. 8

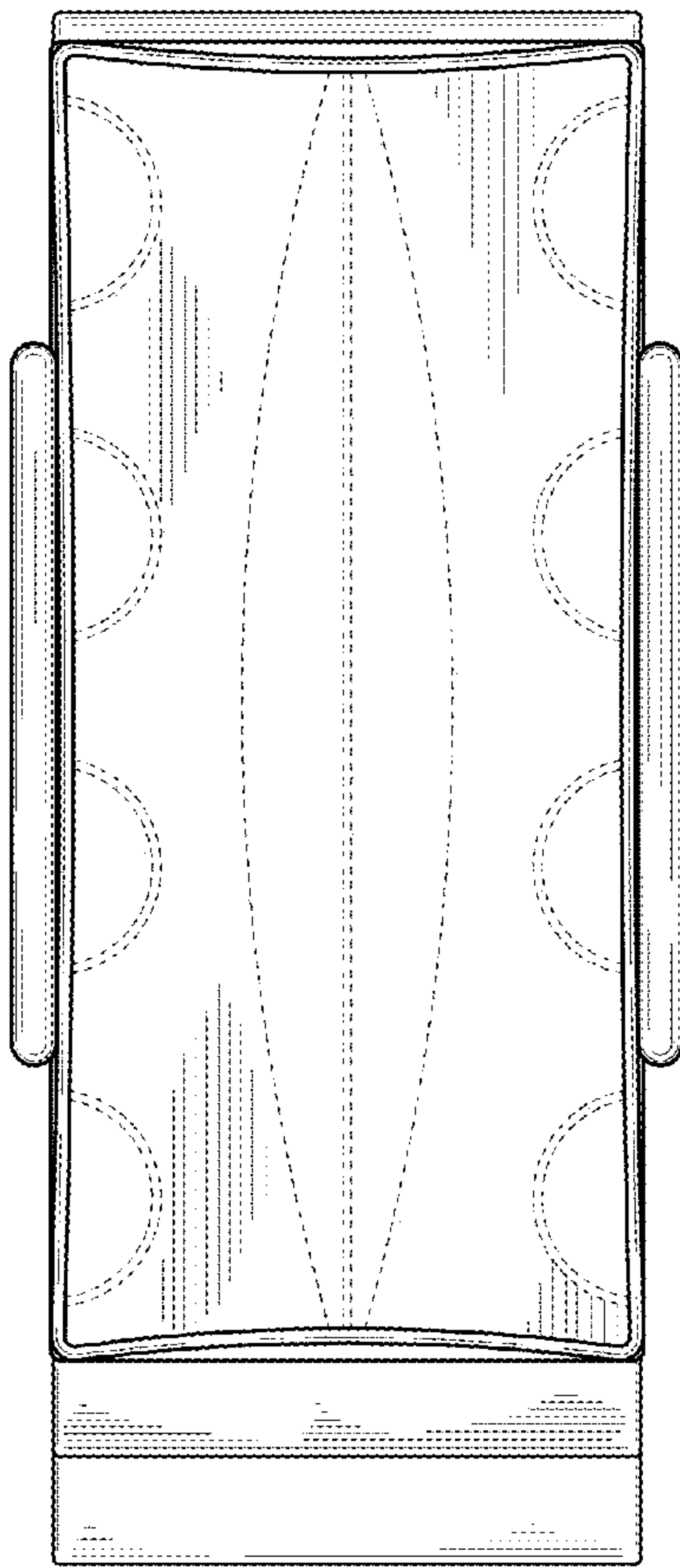


Fig. 10

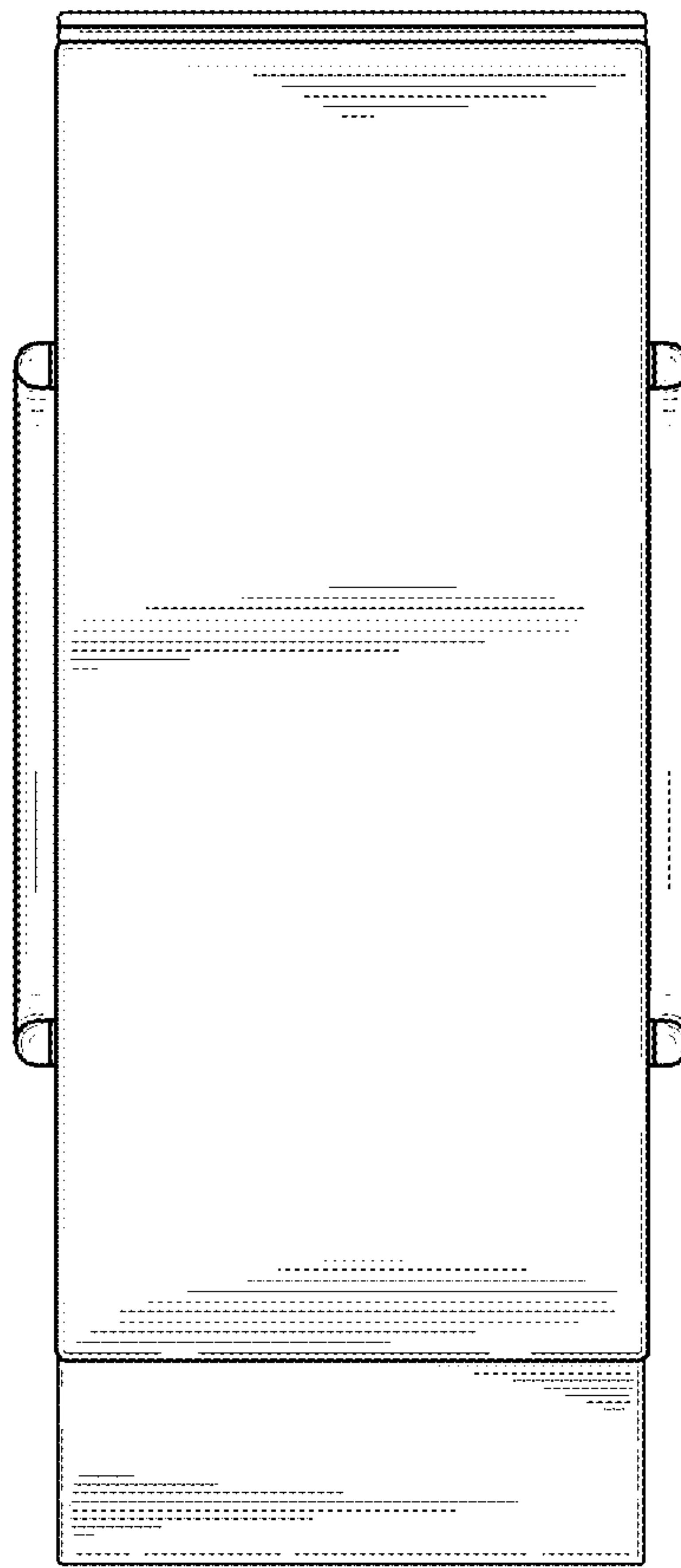


Fig. 11



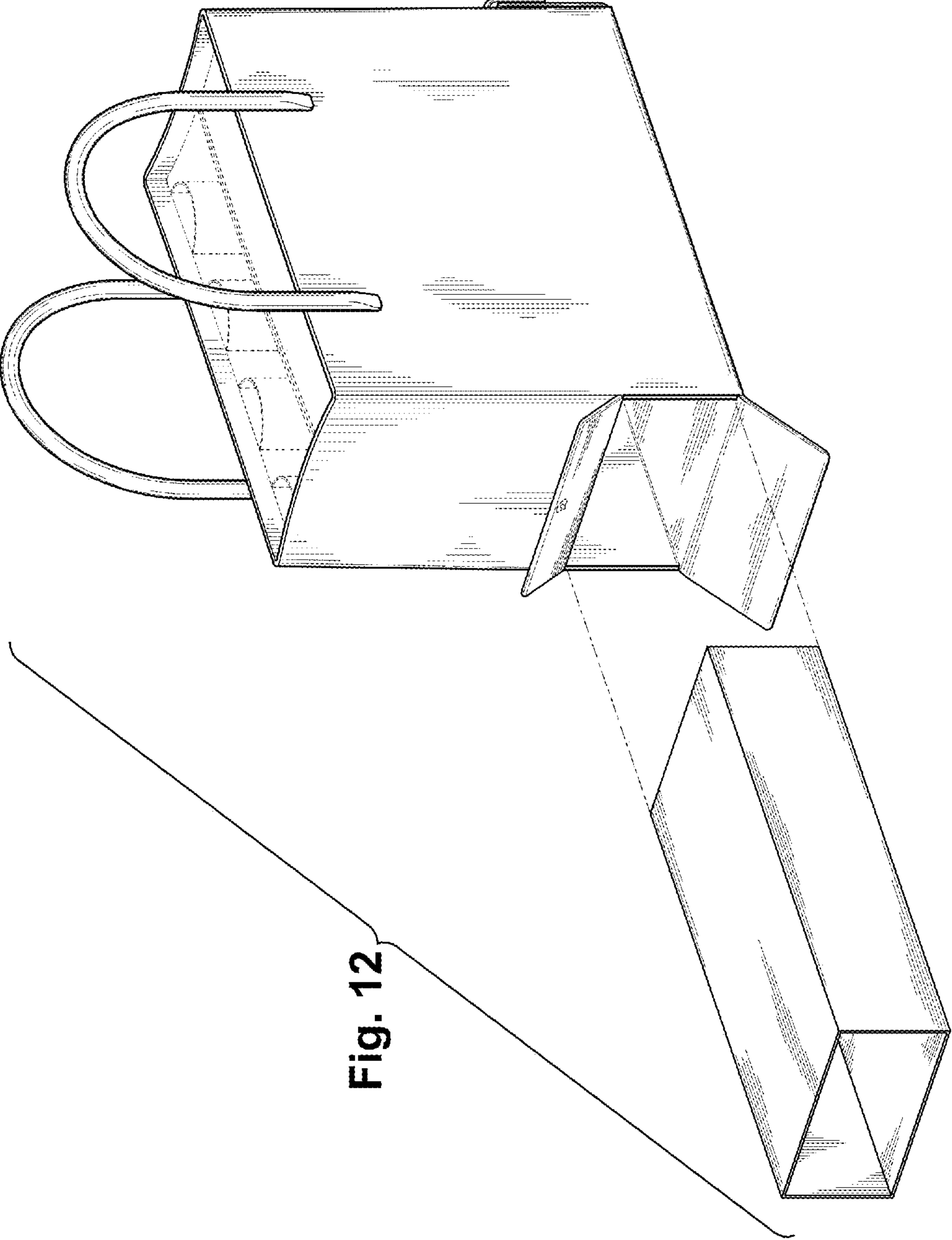


Fig. 12

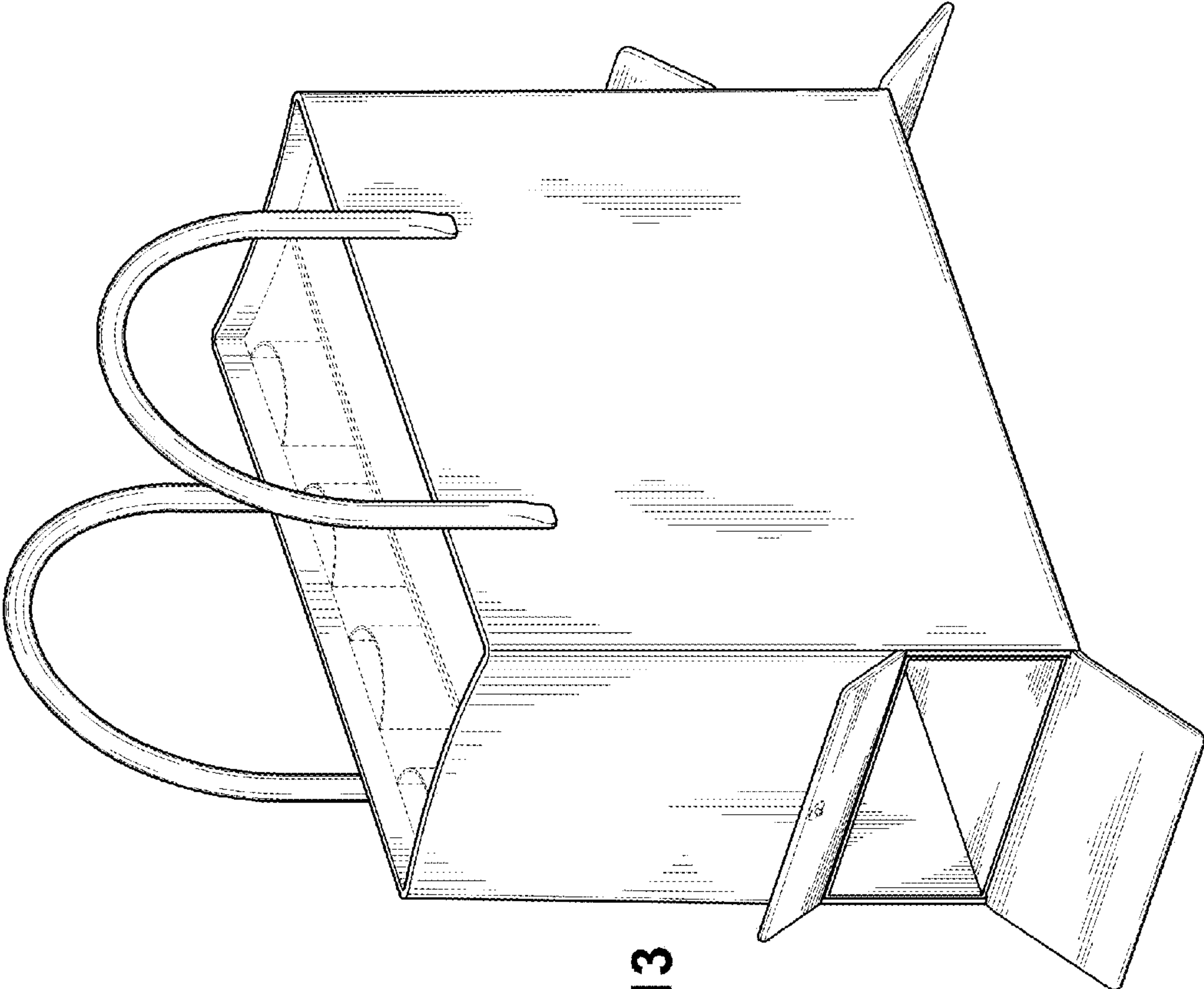


Fig. 13

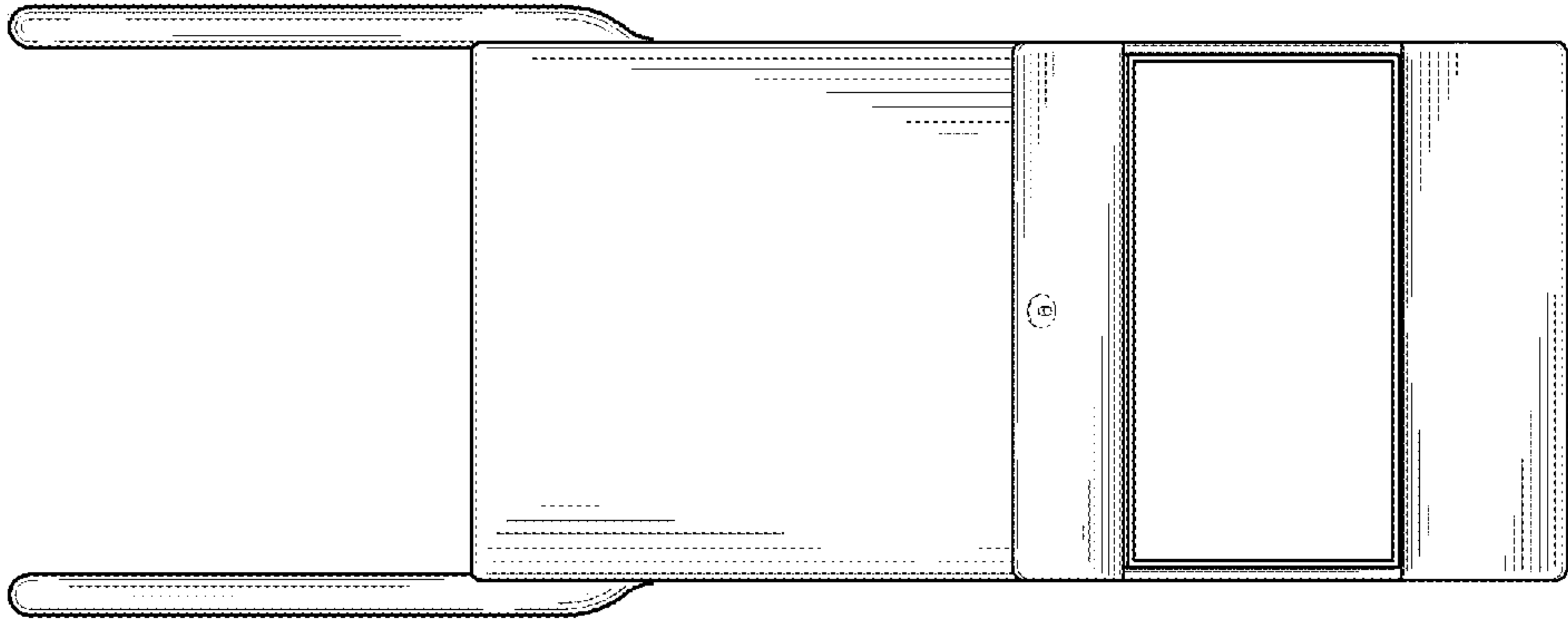


Fig. 15

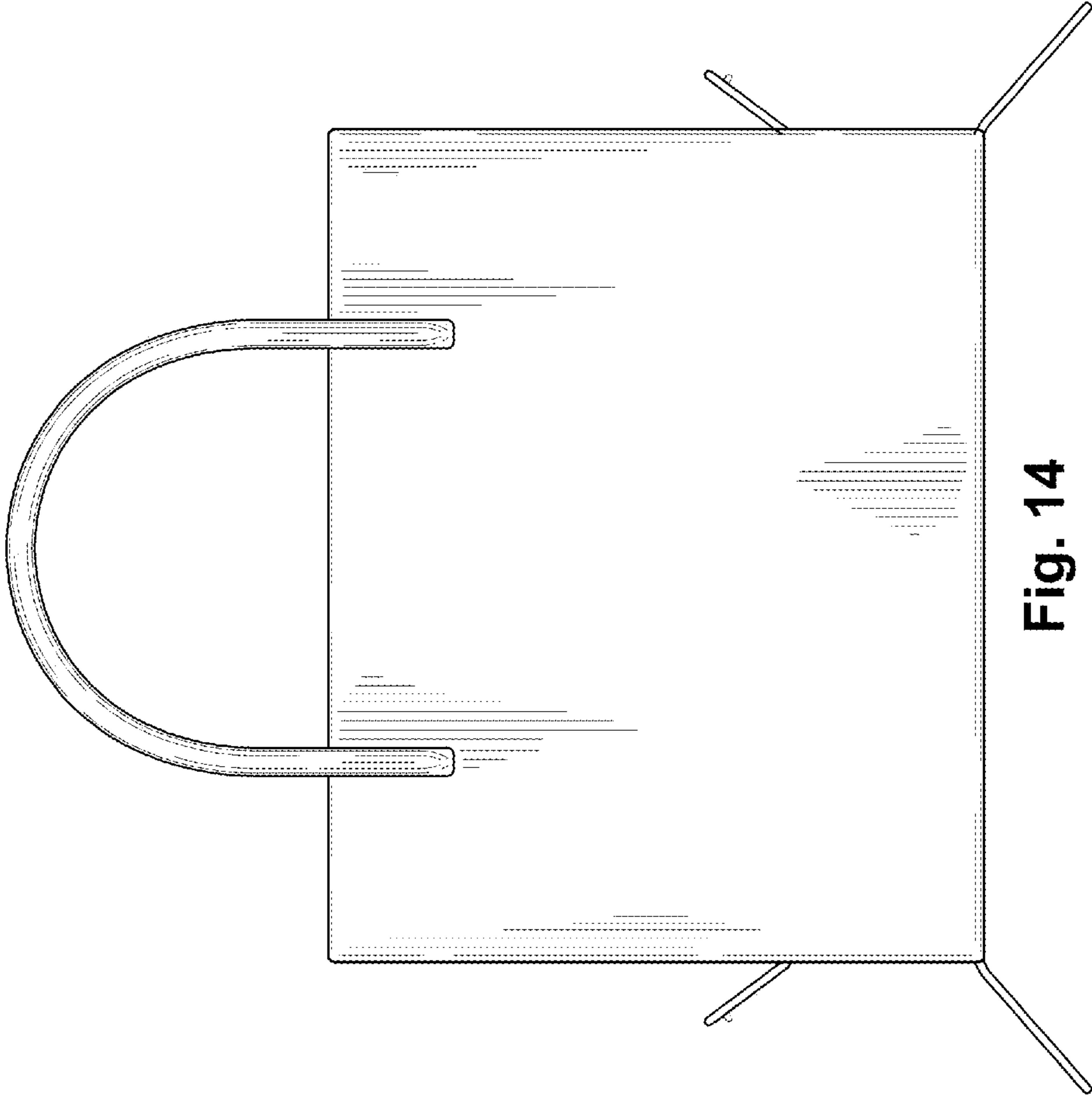


Fig. 14

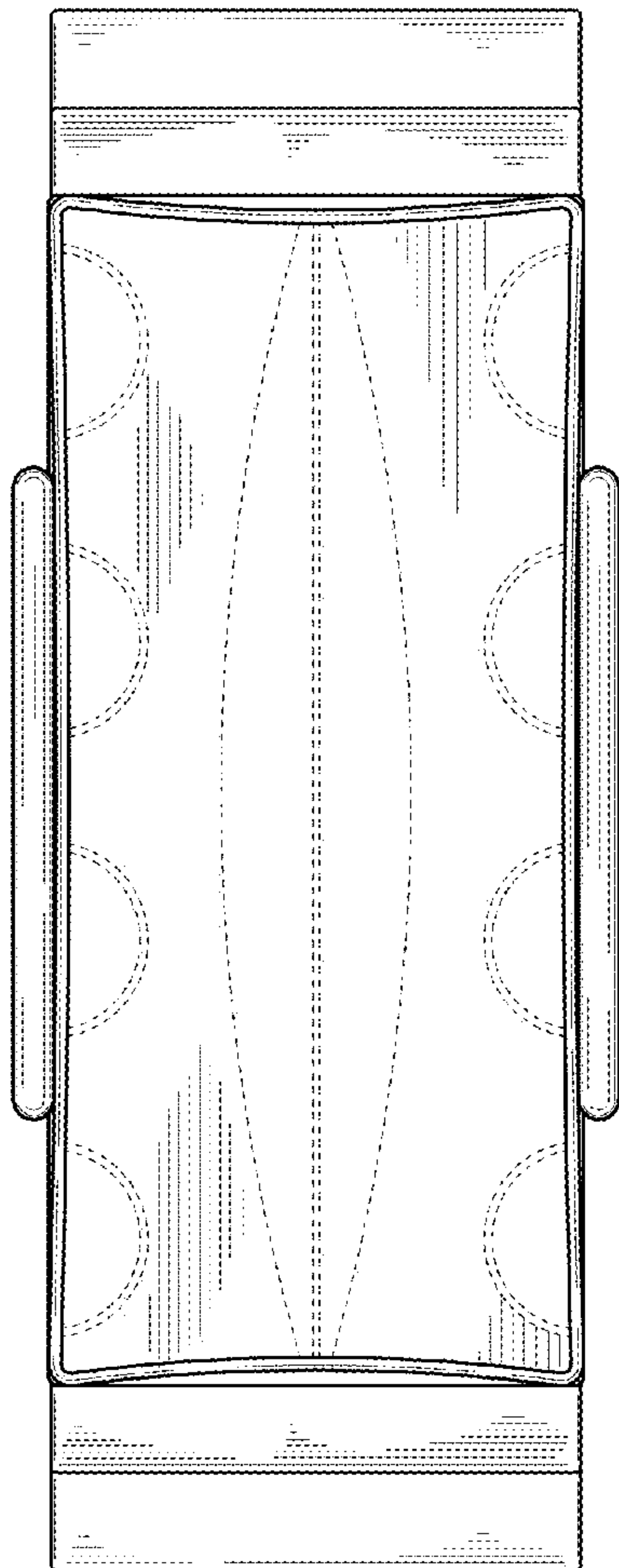


Fig. 16

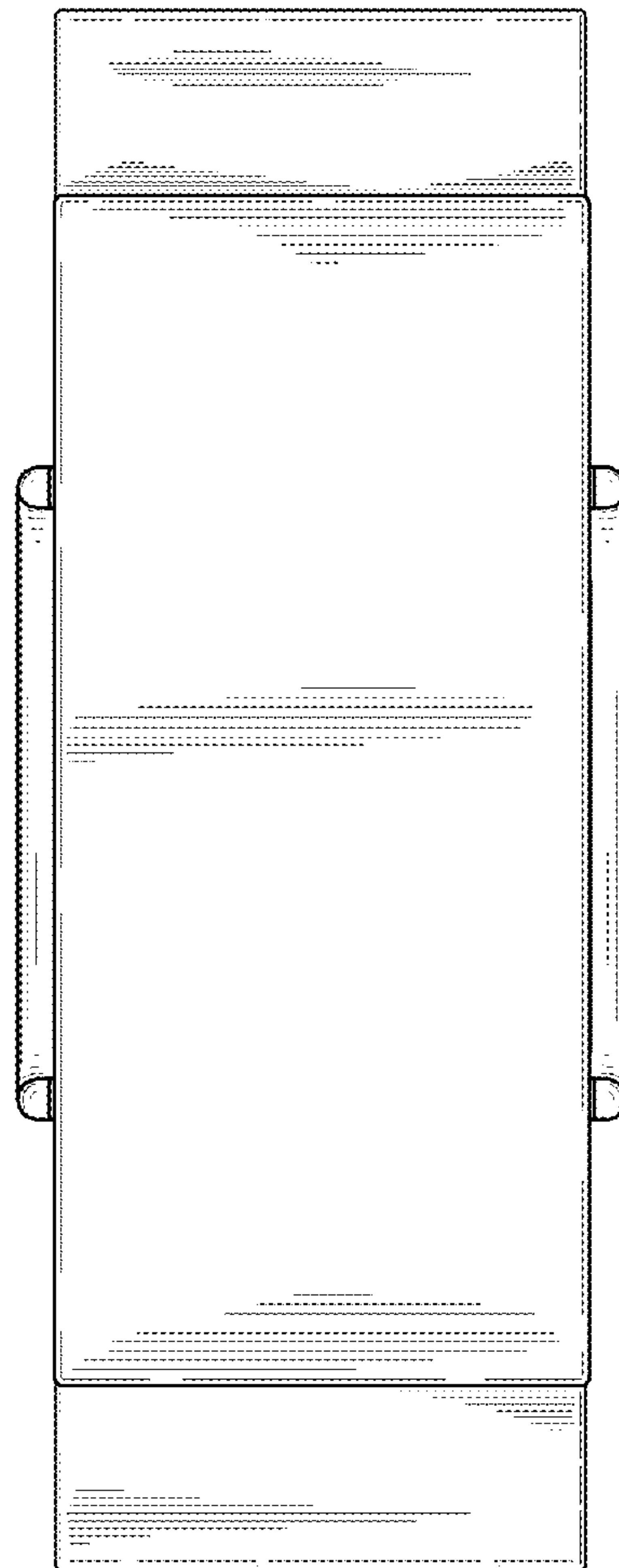


Fig. 17