



US00D720924S

(12) **United States Design Patent**
Emmitt

(10) **Patent No.:** **US D720,924 S**
(45) **Date of Patent:** **** Jan. 13, 2015**

(54) **PERSONAL ELECTRONIC DEVICE CARRY STRAP**

(71) Applicant: **Russell Emmitt**, Columbus, IN (US)

(72) Inventor: **Russell Emmitt**, Columbus, IN (US)

(**) Term: **14 Years**

(21) Appl. No.: **29/492,938**

(22) Filed: **Jun. 4, 2014**

(51) **LOC (10) Cl.** **03-01**

(52) **U.S. Cl.**
USPC **D3/218**

(58) **Field of Classification Search**
CPC A45F 5/00; A45F 5/02; A45F 5/021;
A45F 5/022; A45F 2005/00; A45F 2005/008;
A45F 2005/006; A45F 2005/02; A45F
2200/05; A45F 2200/0516
USPC D3/218, 215, 201, 219, 224, 226, 228,
D3/205, 269, 303; 224/240–241, 245, 578,
224/674, 676–681, 901, 904; 206/305, 320;
455/575.1–575.8; 379/455; D2/627,
D2/631

See application file for complete search history.

(56) **References Cited**

U.S. PATENT DOCUMENTS

D515,806 S *	2/2006	Rice	D3/218
7,204,398 B1 *	4/2007	Smith, Sr.	224/607
D547,942 S *	8/2007	Lavine	D3/218
8,714,421 B2 *	5/2014	Norling	224/197
8,807,410 B2 *	8/2014	Zielberg et al.	224/604
2007/0215663 A1 *	9/2007	Chongson et al.	224/930

* cited by examiner

Primary Examiner — Catheri Oliver-Gracia

(74) *Attorney, Agent, or Firm* — Gulf Coast Intellectual Property Group

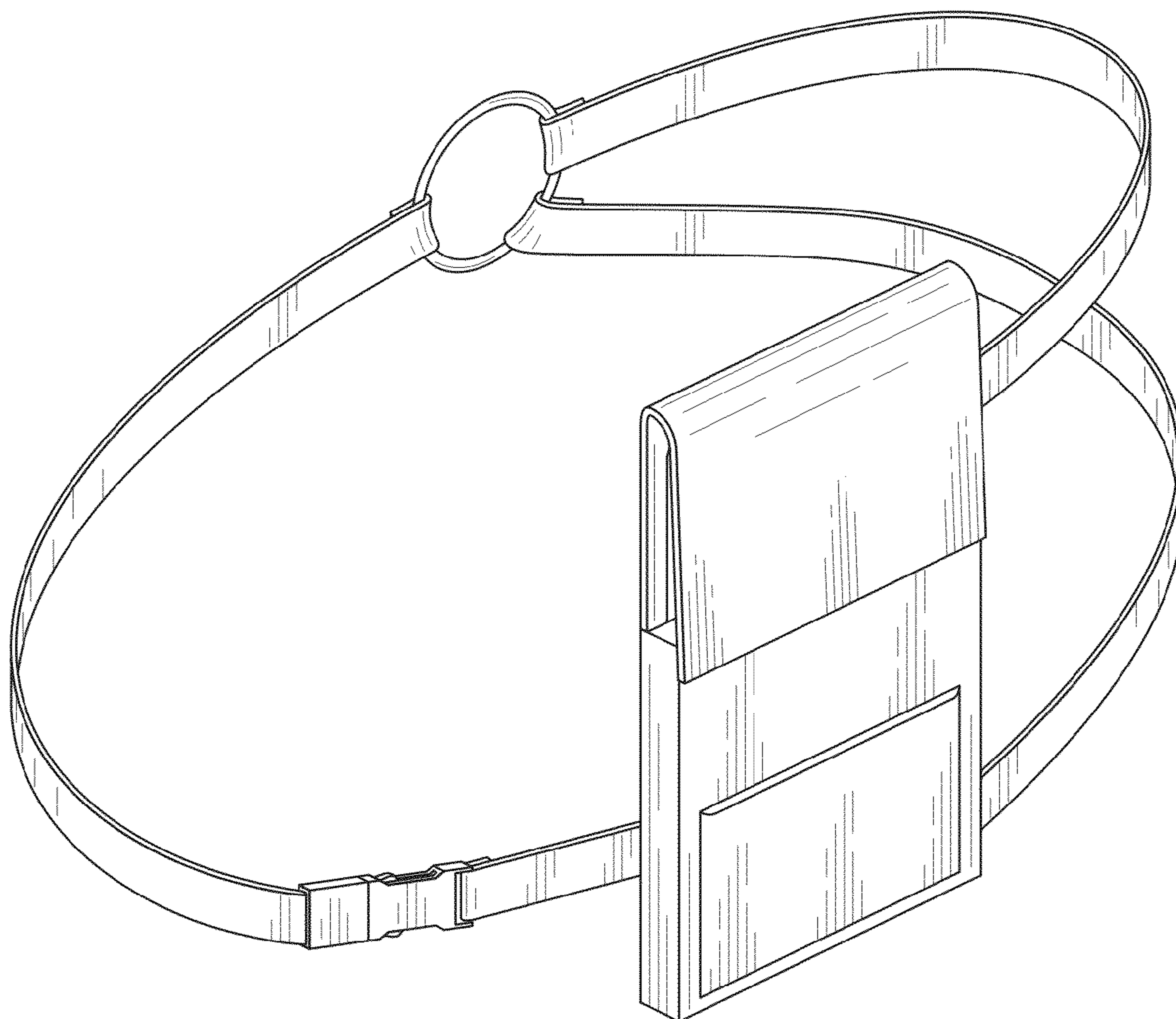
(57) **CLAIM**

The ornamental design for the personal electronic device carry strap, as shown and described.

DESCRIPTION

FIG. 1 is a perspective view of the present invention; and FIG. 2 is a front view of the present invention; and FIG. 3 is a rear view of the present invention; and FIG. 4 is a left side view of the present invention; and, FIG. 5 is a right side view of the present invention.

1 Claim, 3 Drawing Sheets



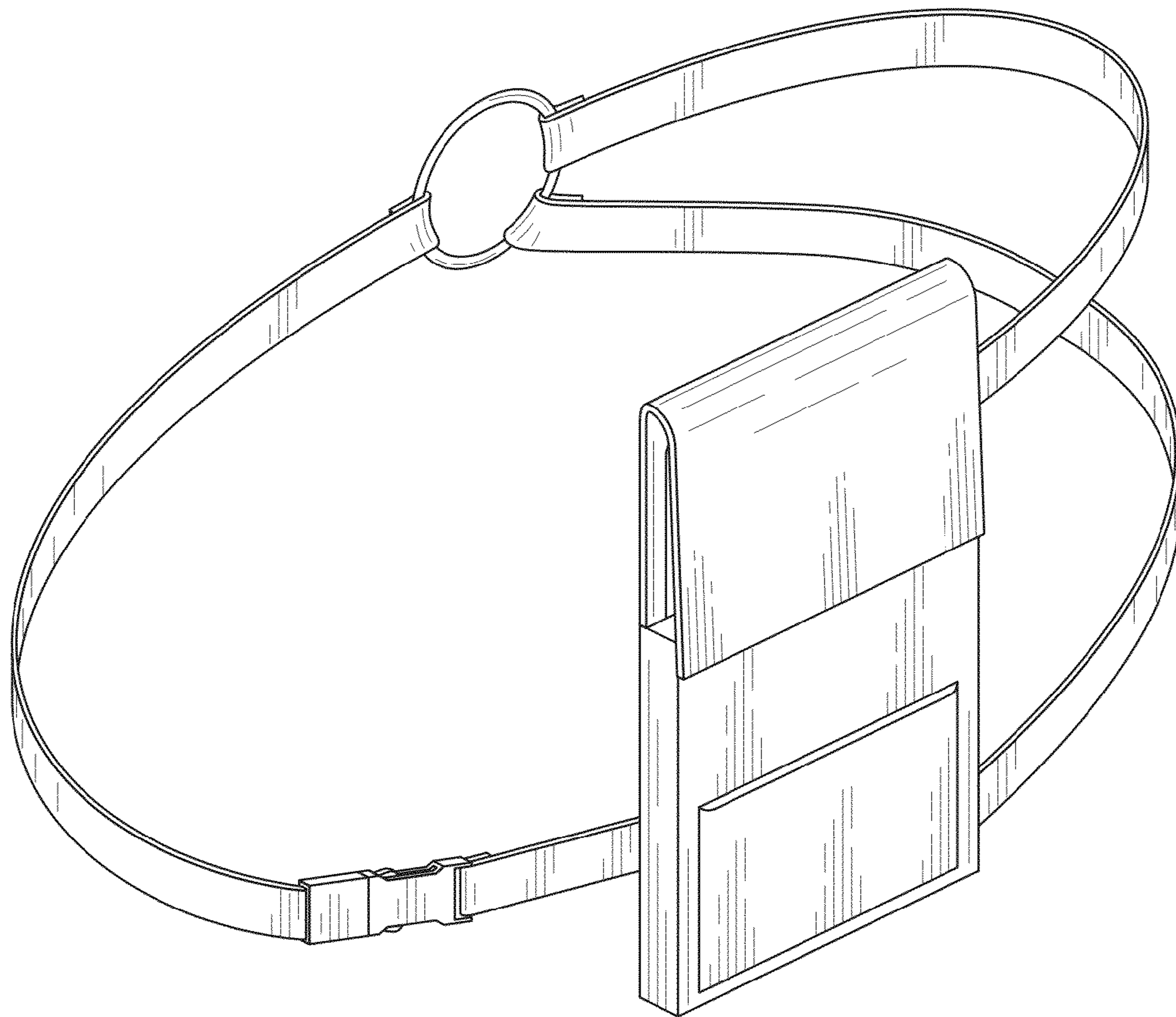


FIG. 1

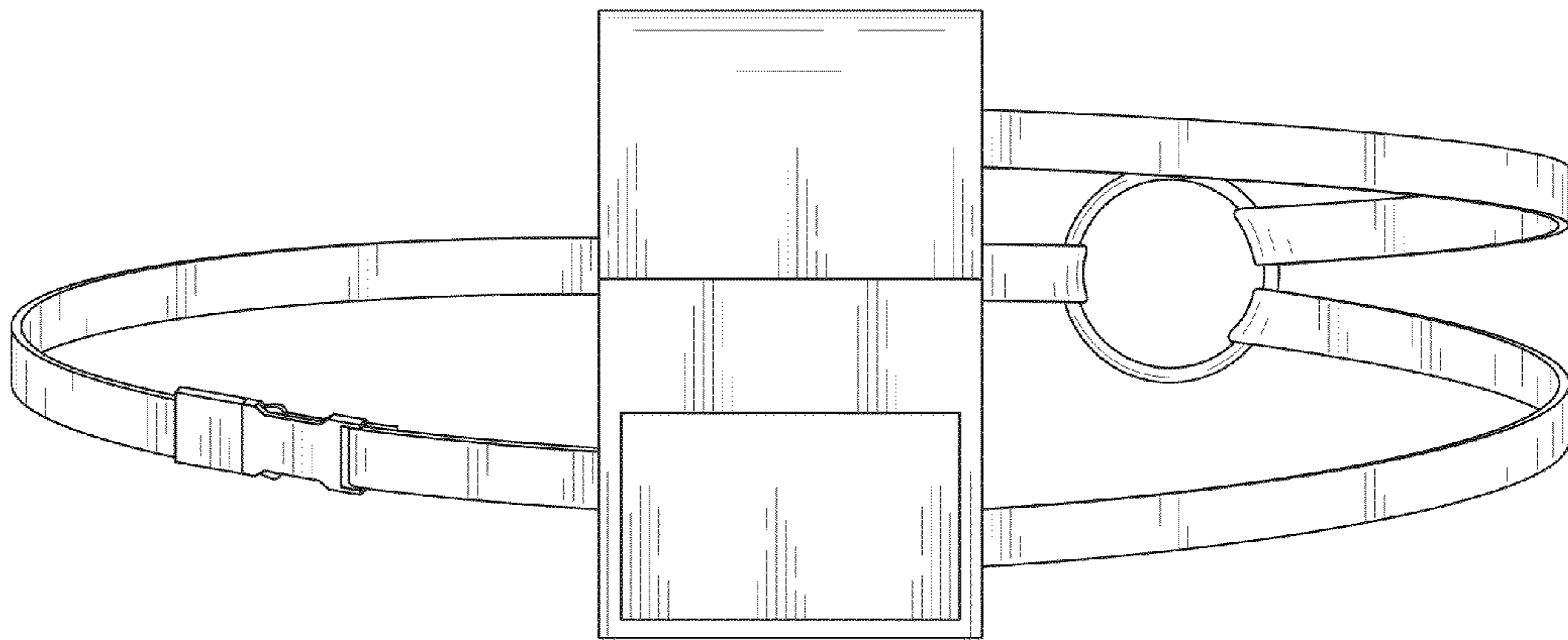


FIG. 2

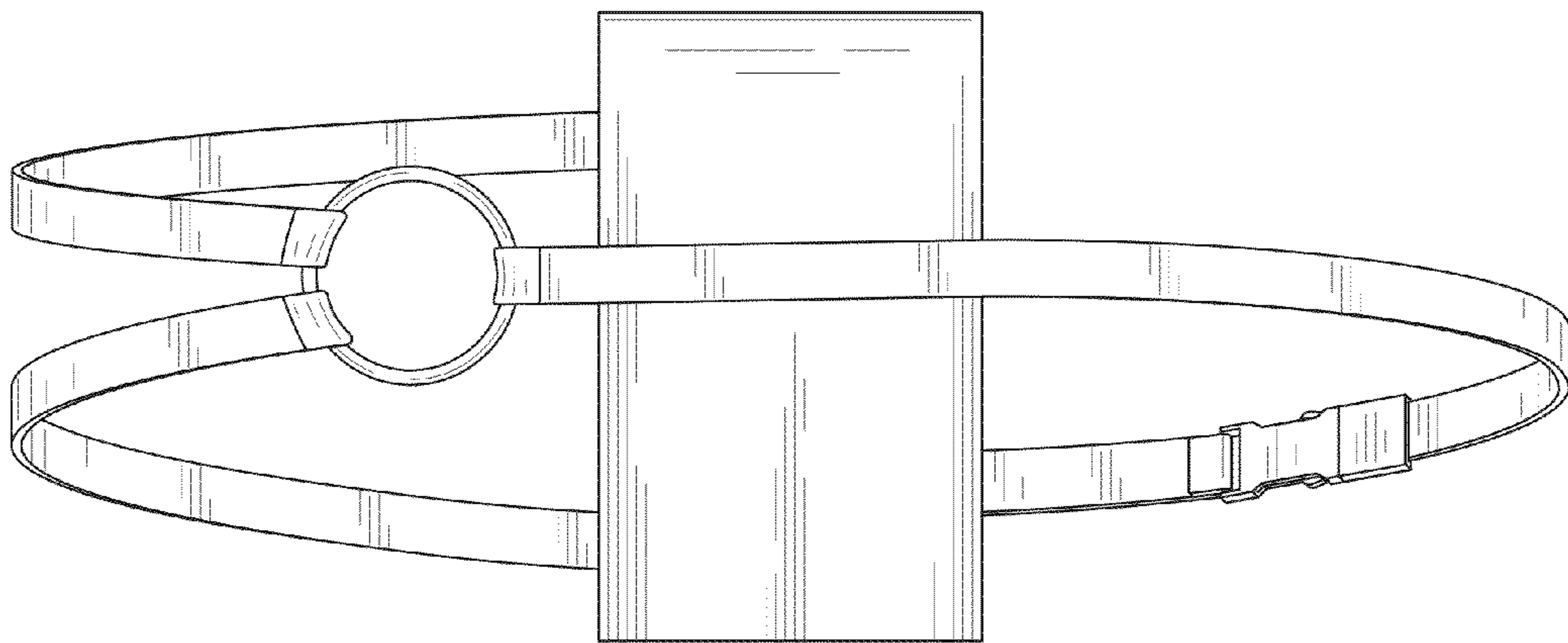


FIG. 3

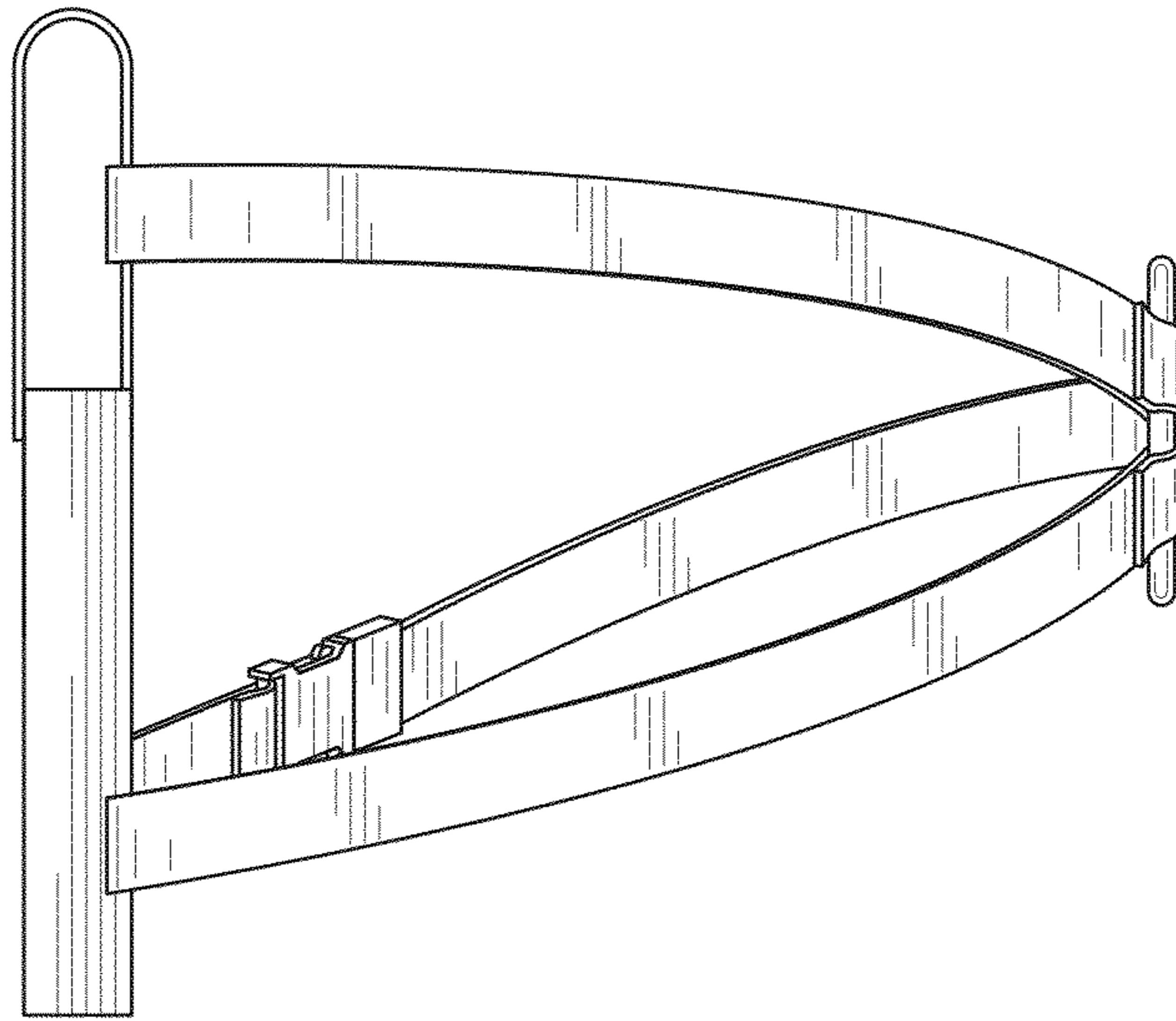


FIG. 4

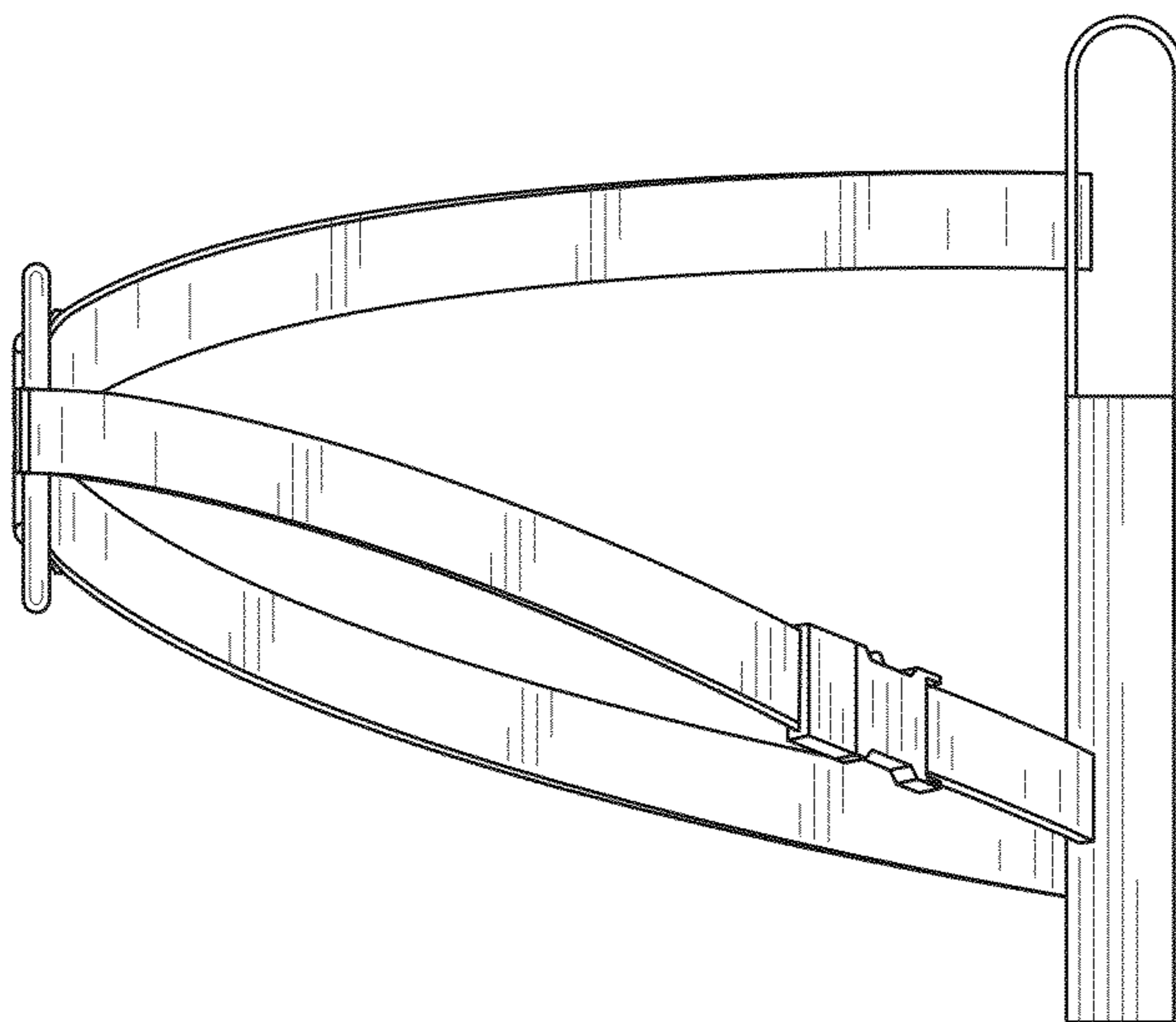


FIG. 5