



US00D720923S

(12) **United States Design Patent**  
**Hadden**

(10) **Patent No.:** **US D720,923 S**  
(45) **Date of Patent:** **\*\* Jan. 13, 2015**

(54) **BOTTLE**

(71) Applicant: **Jeffrey James Hadden**, Gretna, NE  
(US)

(72) Inventor: **Jeffrey James Hadden**, Gretna, NE  
(US)

(\*\*) Term: **14 Years**

(21) Appl. No.: **29/481,965**

(22) Filed: **Feb. 12, 2014**

(51) **LOC (10) Cl.** ..... **09-02**

(52) **U.S. Cl.**  
USPC ..... **D3/202**

(58) **Field of Classification Search**  
USPC ..... D3/202, 215; 224/148.1, 148.7;  
D9/522-523, 528, 530, 575, 694, 763;  
D7/605  
See application file for complete search history.

(56) **References Cited**

**U.S. PATENT DOCUMENTS**

D293,294 S \* 12/1987 Fujiyama ..... D7/605  
D413,432 S \* 9/1999 Much ..... D3/202

D443,980 S \* 6/2001 Stewart ..... D3/202  
D488,919 S \* 4/2004 Hurlbut ..... D3/202  
D521,230 S \* 5/2006 Linz et al. .... D3/202  
D562,138 S \* 2/2008 Warner ..... D9/522  
D598,644 S \* 8/2009 Solari et al. .... D3/202  
D653,847 S \* 2/2012 Seals ..... D3/202  
D673,855 S \* 1/2013 Burgeson ..... D9/522  
D702,433 S \* 4/2014 Romley ..... D3/202

\* cited by examiner

*Primary Examiner* — Catheri Oliver-Garcia

(74) *Attorney, Agent, or Firm* — Baird Holm LLP; Jeff M. Anderson; Y. Kamaal Patterson

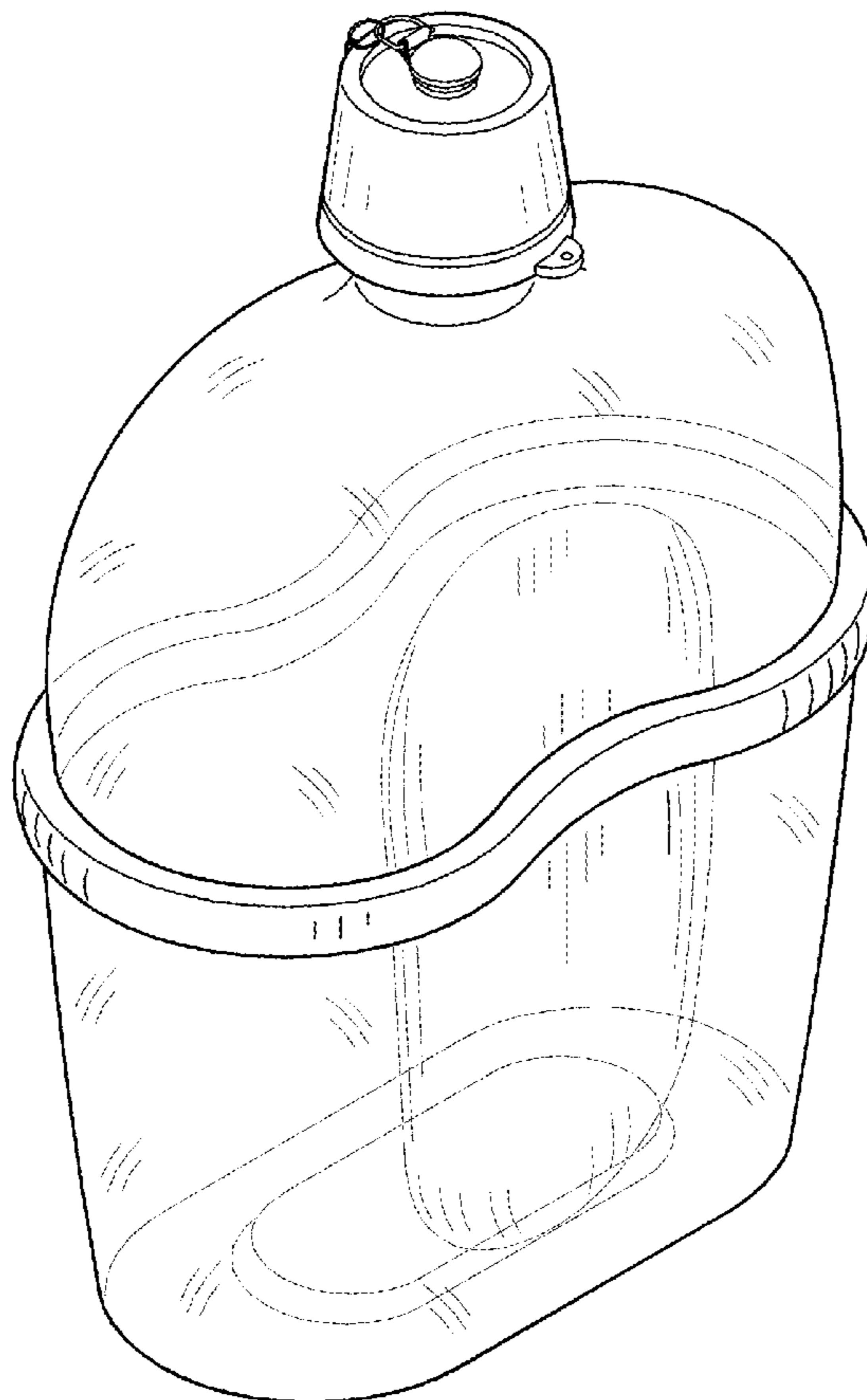
(57) **CLAIM**

The ornamental design for a bottle, as shown and described.

**DESCRIPTION**

FIG. 1 is a perspective view of a bottle.  
FIG. 2 is a top view of the bottle of FIG. 1.  
FIG. 3 is a front view of the bottle of FIG. 1;  
FIG. 4 is a side view of the bottle of FIG. 1;  
FIG. 5 is a rear view of the bottle of FIG. 1;  
FIG. 6 is an opposite side view of the bottle of FIG. 1; and,  
FIG. 7 is a bottom view of the bottle of FIG. 1.

**1 Claim, 4 Drawing Sheets**



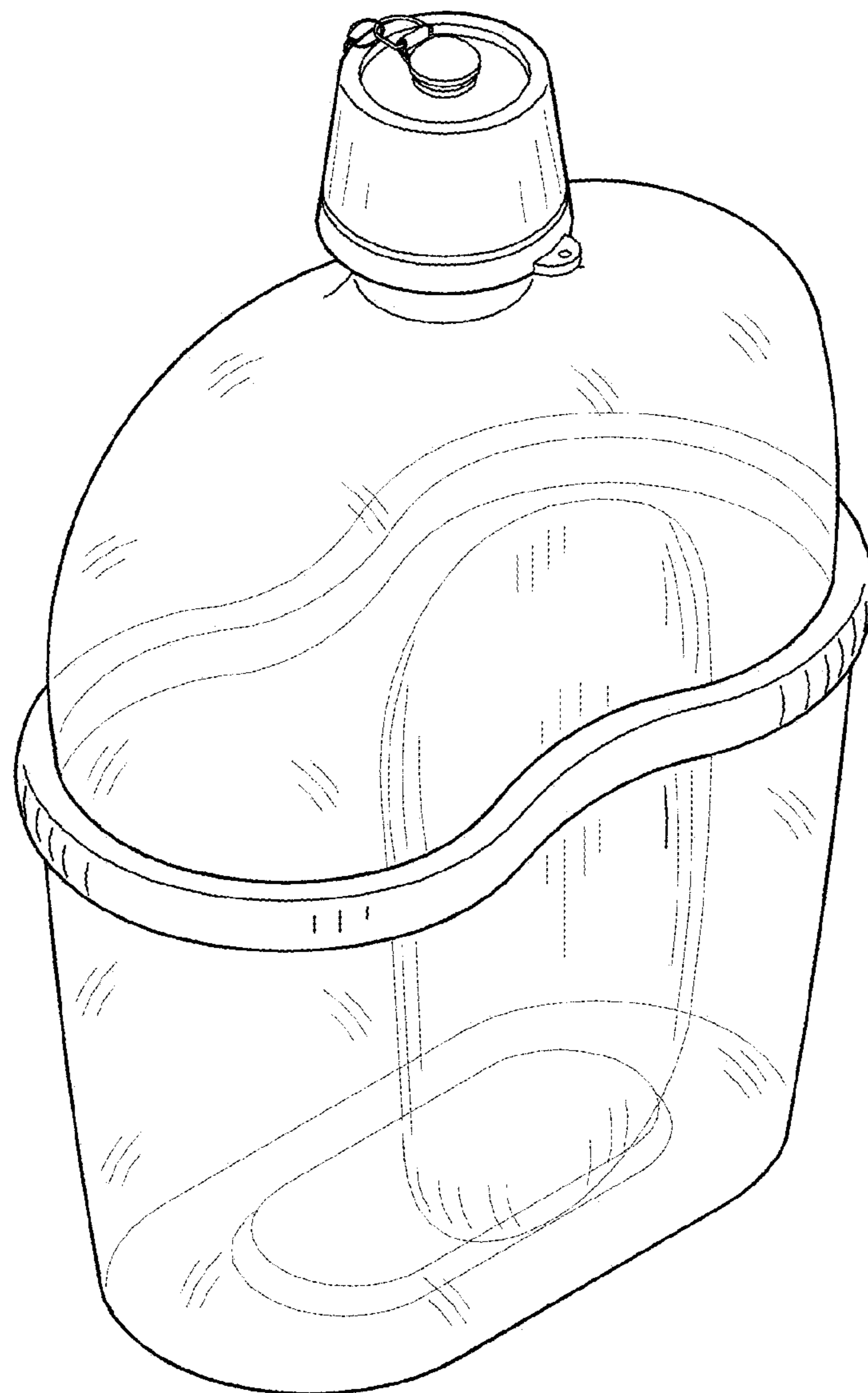


FIG. 1

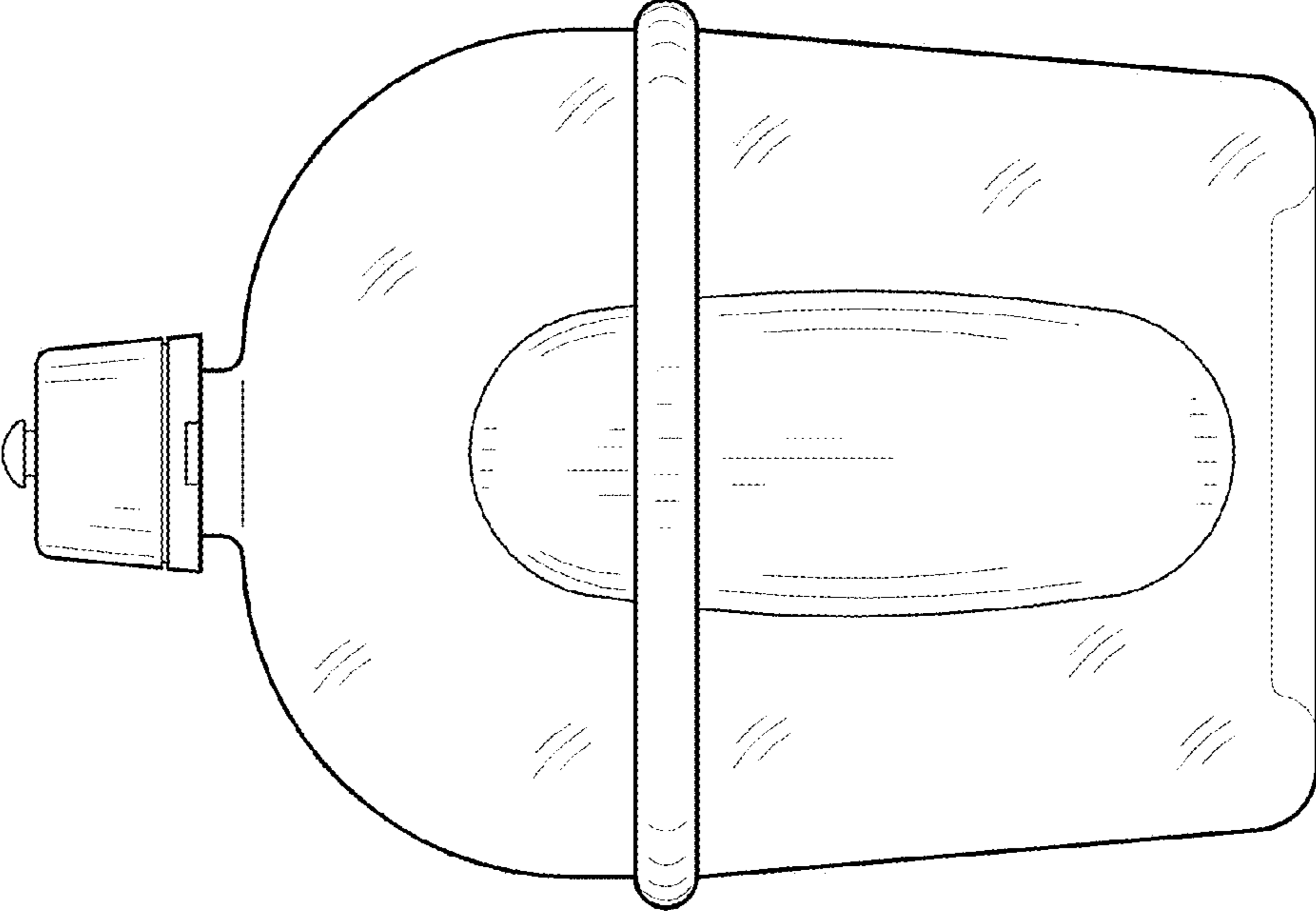


FIG. 3

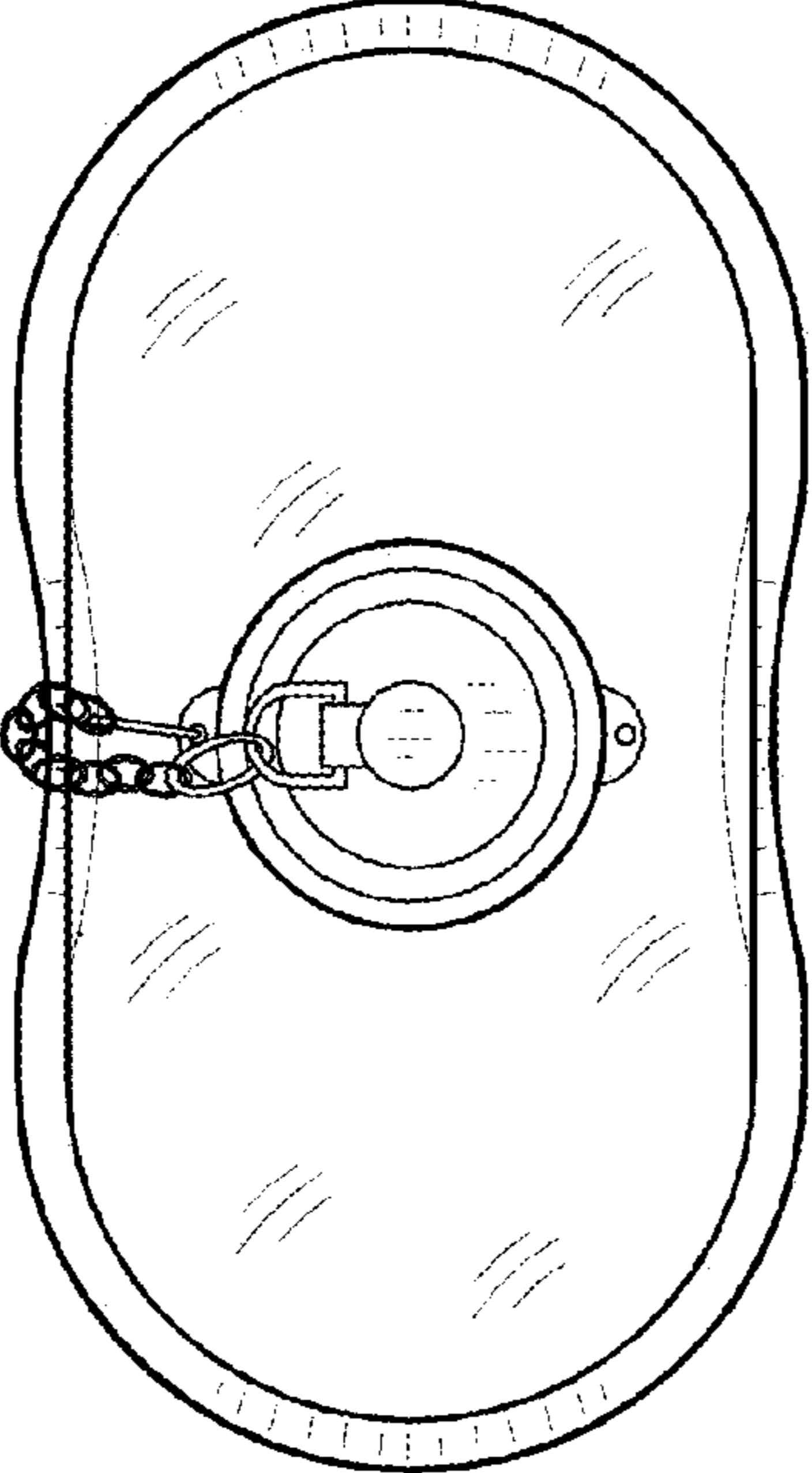


FIG. 2

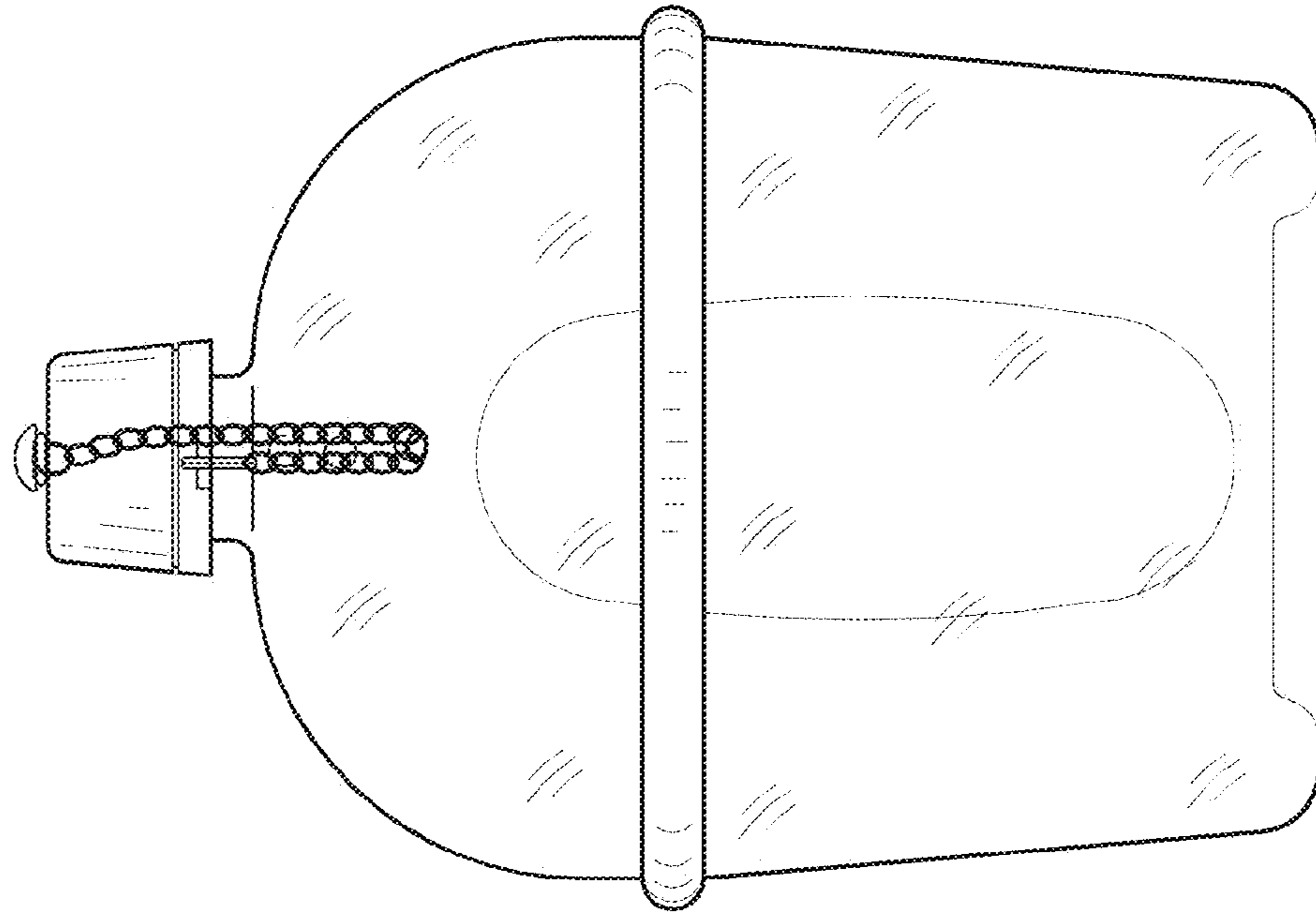


FIG. 5

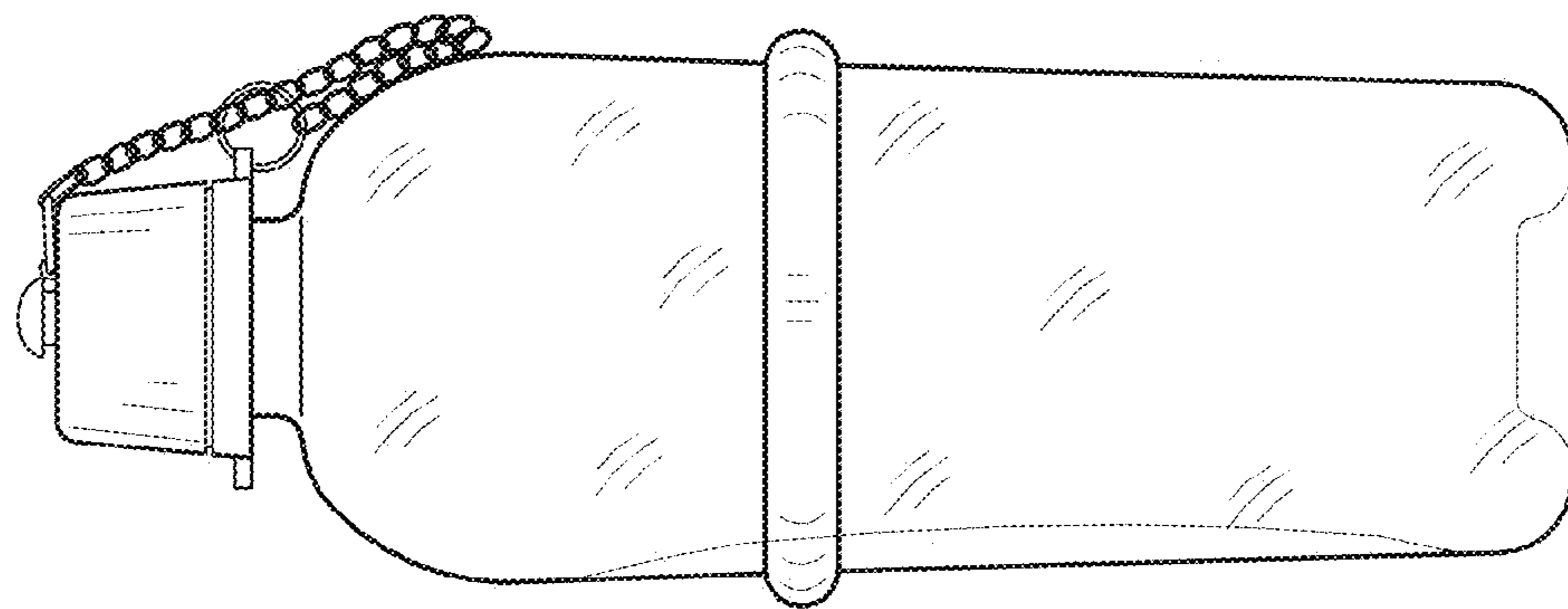


FIG. 4

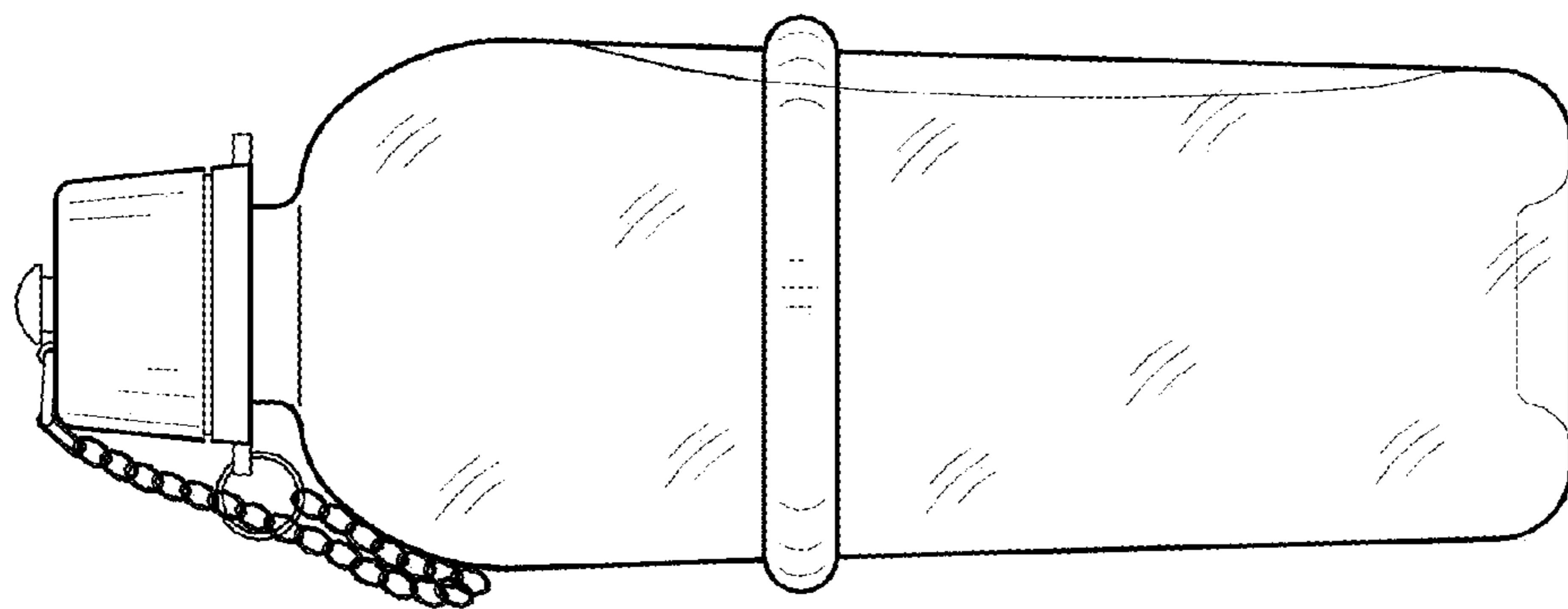


FIG. 6

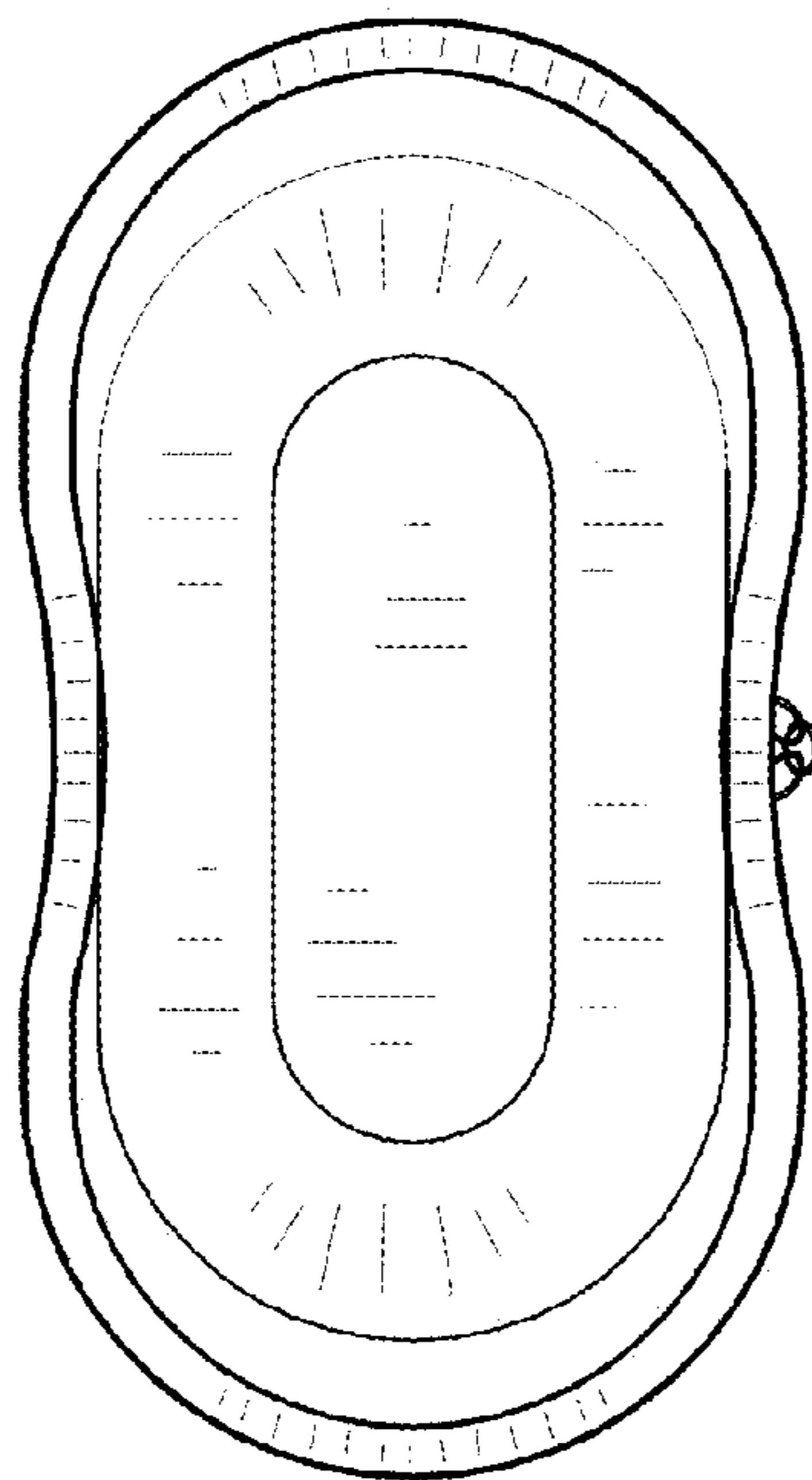


FIG. 7