



US00D720918S

(12) **United States Design Patent**  
**Best et al.**

(10) **Patent No.:** **US D720,918 S**  
(45) **Date of Patent:** **\*\* Jan. 13, 2015**

(54) **COMPRESSION UNDERGARMENT**

(75) Inventors: **Bill Best**, Orono, MN (US); **Bastien Jourde**, Montreal (CA)

(73) Assignee: **Shock Doctor, Inc.**, Minnetonka, MN (US)

(\*\*) Term: **14 Years**

(21) Appl. No.: **29/424,212**

(22) Filed: **Jun. 8, 2012**

**Related U.S. Application Data**

(62) Division of application No. 29/394,784, filed on Jun. 21, 2011, now Pat. No. Des. 663,101.

(51) **LOC (10) Cl.** ..... **02-02**

(52) **U.S. Cl.**  
USPC ..... **D2/840**

(58) **Field of Classification Search**  
USPC ..... D2/717, 731, 749, 750, 840, 841, 847,  
D2/848, 850; 2/90, 106, 113, 115  
See application file for complete search history.

(56) **References Cited**

**U.S. PATENT DOCUMENTS**

4,325,148	A	4/1982	Livernois	
4,356,569	A	11/1982	Sullivan	
4,507,801	A	4/1985	Kavanagh et al.	
D293,495	S	12/1987	Berryman et al.	
D298,474	S	11/1988	Twede	
5,168,576	A	12/1992	Krent et al.	
6,584,619	B1	7/2003	Macri	
D559,466	S	1/2008	Crossman et al.	
D564,182	S *	3/2008	Wiens	D2/840
D579,629	S	11/2008	Rance et al.	
D619,783	S	7/2010	Jones et al.	
D627,135	S	11/2010	Turner	
D628,770	S	12/2010	Kanada et al.	

D630,819	S	1/2011	Axler	
D654,660	S	2/2012	Jones et al.	
D663,101	S	7/2012	Best et al.	
8,533,871	B2 *	9/2013	Fiegenger et al.	2/456

(Continued)

**FOREIGN PATENT DOCUMENTS**

GB	2418832	A	4/2006	
WO	WO9003126	A1	4/1990	
WO	WO 2008002432	A2 *	1/2008	A41D 1/04
WO	WO2011034942	A1	3/2011	

**OTHER PUBLICATIONS**

Cart.sinchloe.info. <http://cart.sinchloe.info/rbk-5301-speedwick-short-sleeve-compression-shirt.php>. Copyright 2012. "RBK 5301 Speedwick Short Sleeve Compression Shirt".  
FighterXFashion. <http://fighterxfashion.com/ufc-aim-compression-gear/d>. Date Unknown: Viewed Mar. 2012. UFC Aim Compression Shirt.

(Continued)

*Primary Examiner* — Rashida Johnson  
(74) *Attorney, Agent, or Firm* — Faegre Baker Daniels LLP

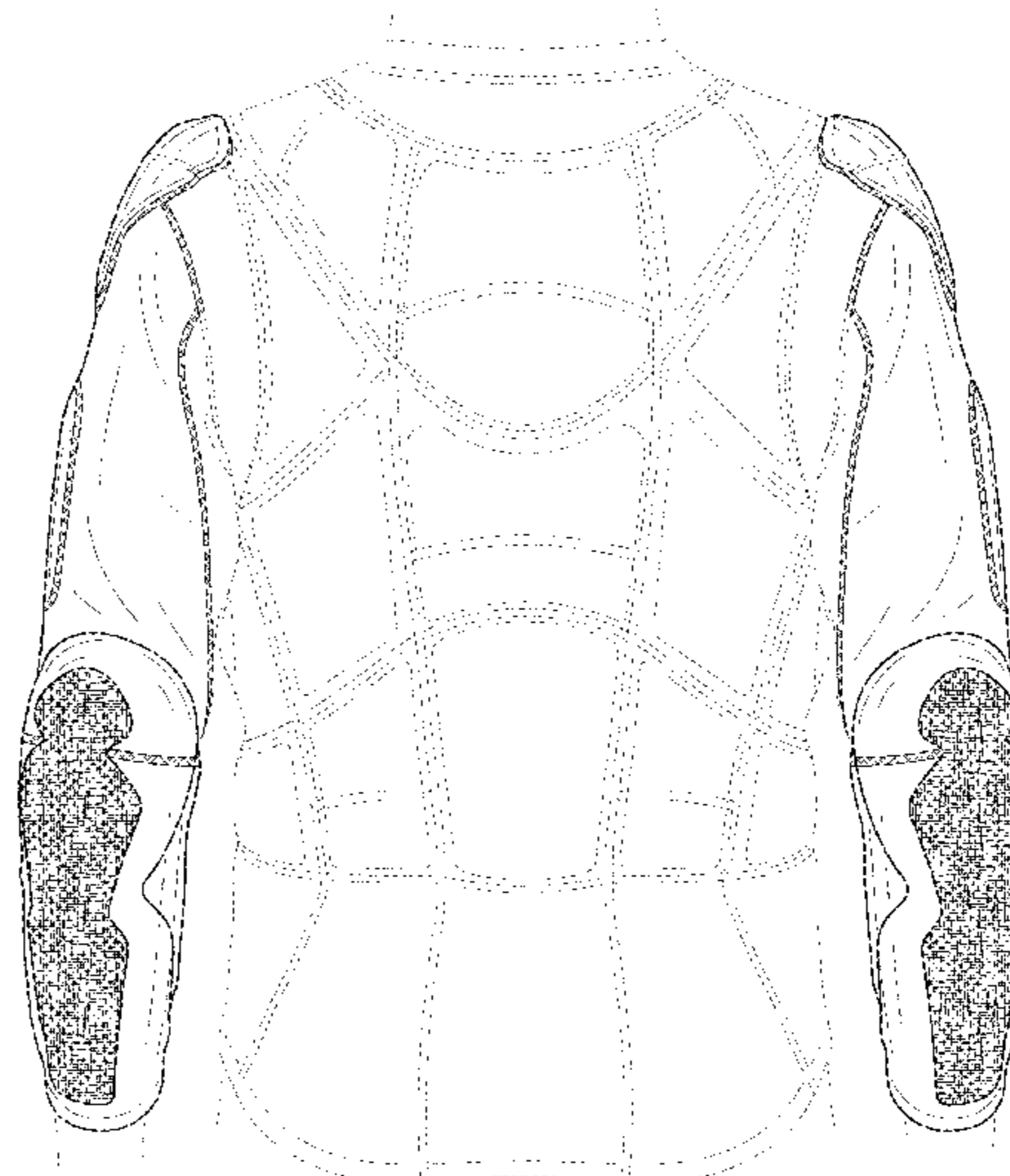
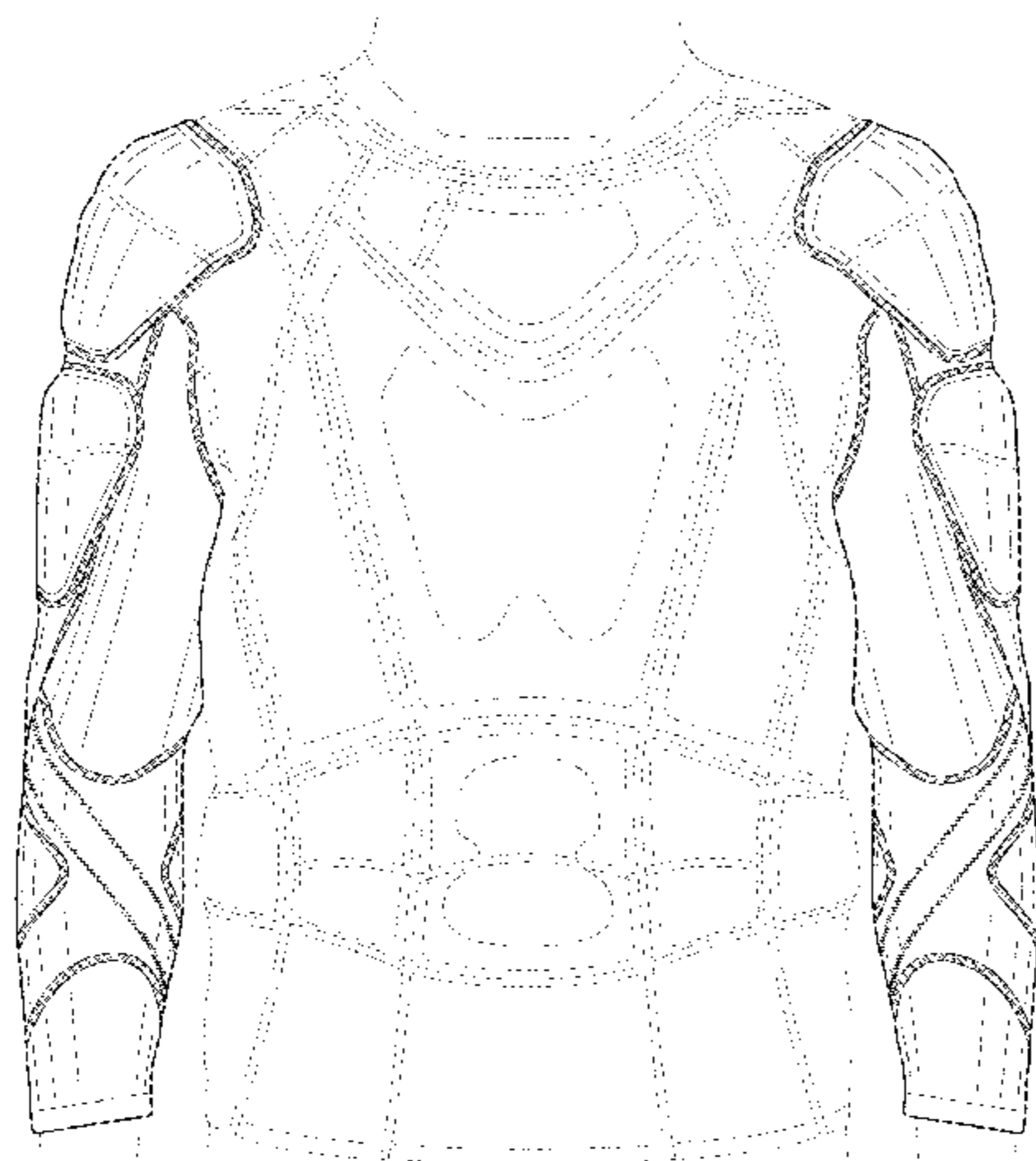
(57) **CLAIM**

The ornamental design for a compression undergarment, as shown and described.

**DESCRIPTION**

FIG. 1 is a perspective view of a compression undergarment. FIG. 2 is a front view of a compression undergarment. FIG. 3 is a back view of a compression undergarment. FIG. 4 is a first side view of a compression undergarment, the second opposing side being a mirror image thereof; and, FIG. 5 is a top view of a compression undergarment. The broken lines in the Figures do not form a part of the claimed design.

**1 Claim, 5 Drawing Sheets**



(56)

**References Cited**

U.S. PATENT DOCUMENTS

2007/0010771 A1 1/2007 Leatt  
2007/0050884 A1\* 3/2007 Contant et al. .... 2/92  
2007/0199129 A1 8/2007 Davis  
2008/0313793 A1 12/2008 Skottheim et al.  
2010/0037374 A1 2/2010 Crelinsten et al.  
2011/0247130 A1 10/2011 Lewandowski  
2011/0252549 A1 10/2011 Jourde et al.  
2013/0167285 A1\* 7/2013 Decker ..... 2/69

OTHER PUBLICATIONS

International Search Report and Written Opinion issued in PCT/  
US2011/023022, dated Jun. 9, 2011, 12 pages.  
Softball Fans. <http://www.softballfans.com/shop/Easton-Youth-Torso-Tection-Shirt.html>. Copyright 2012. "Easton Youth Torso Tection Shirt".  
Design U.S. Appl. No. 29/394,784, filed Jun. 21, 2011 entitled Compression Undergarment.  
\* cited by examiner



Fig. 1

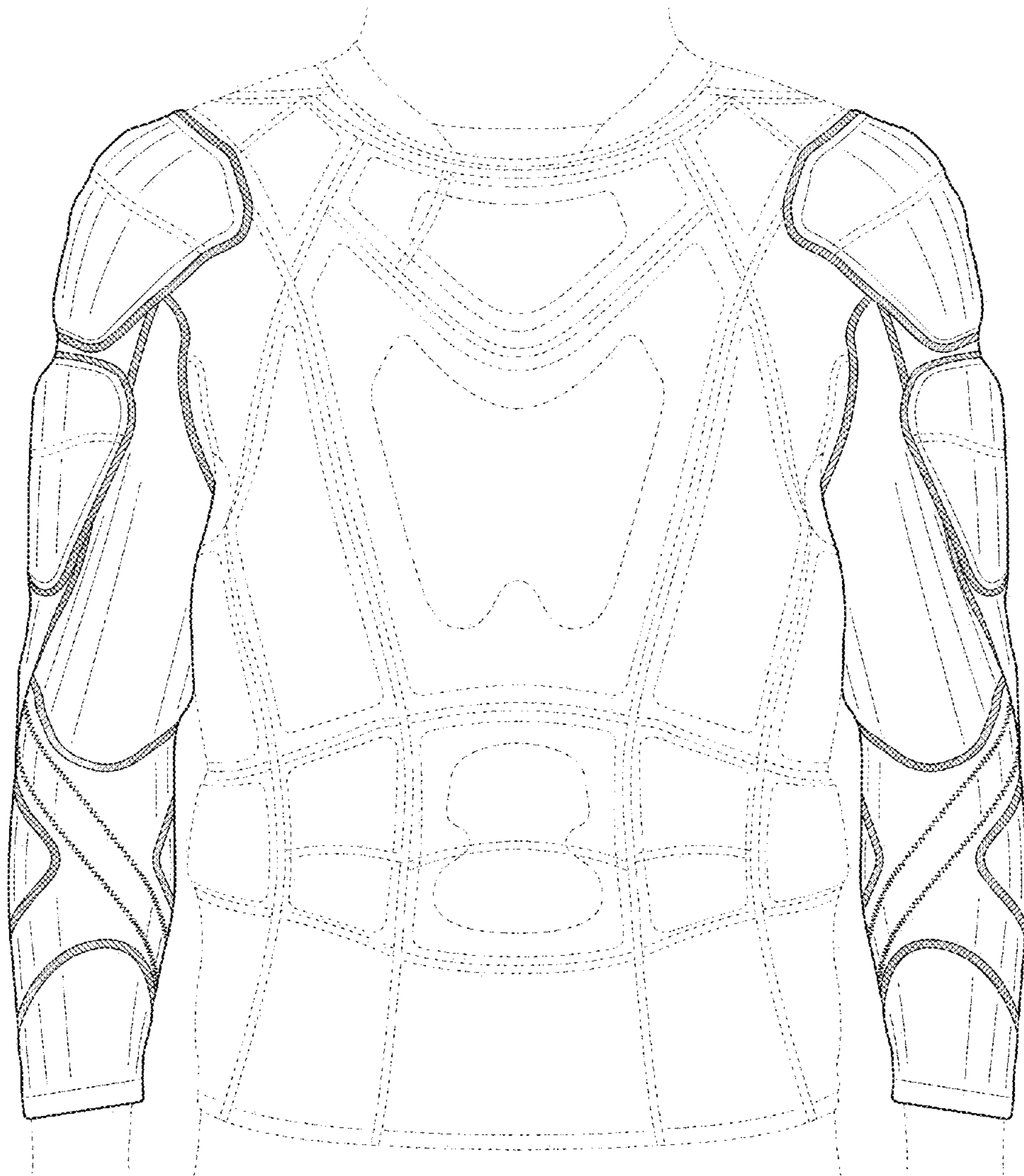


Fig. 2

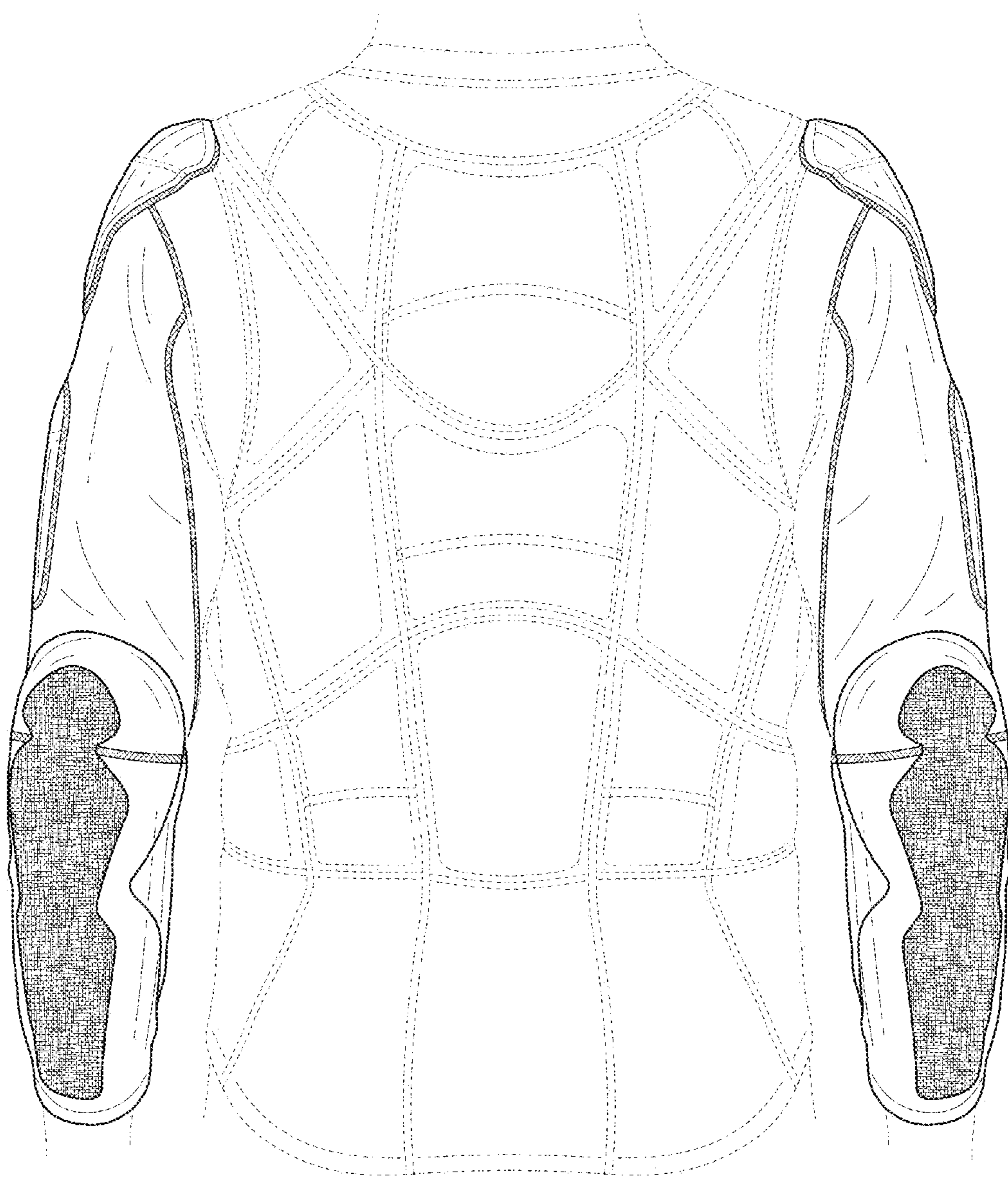
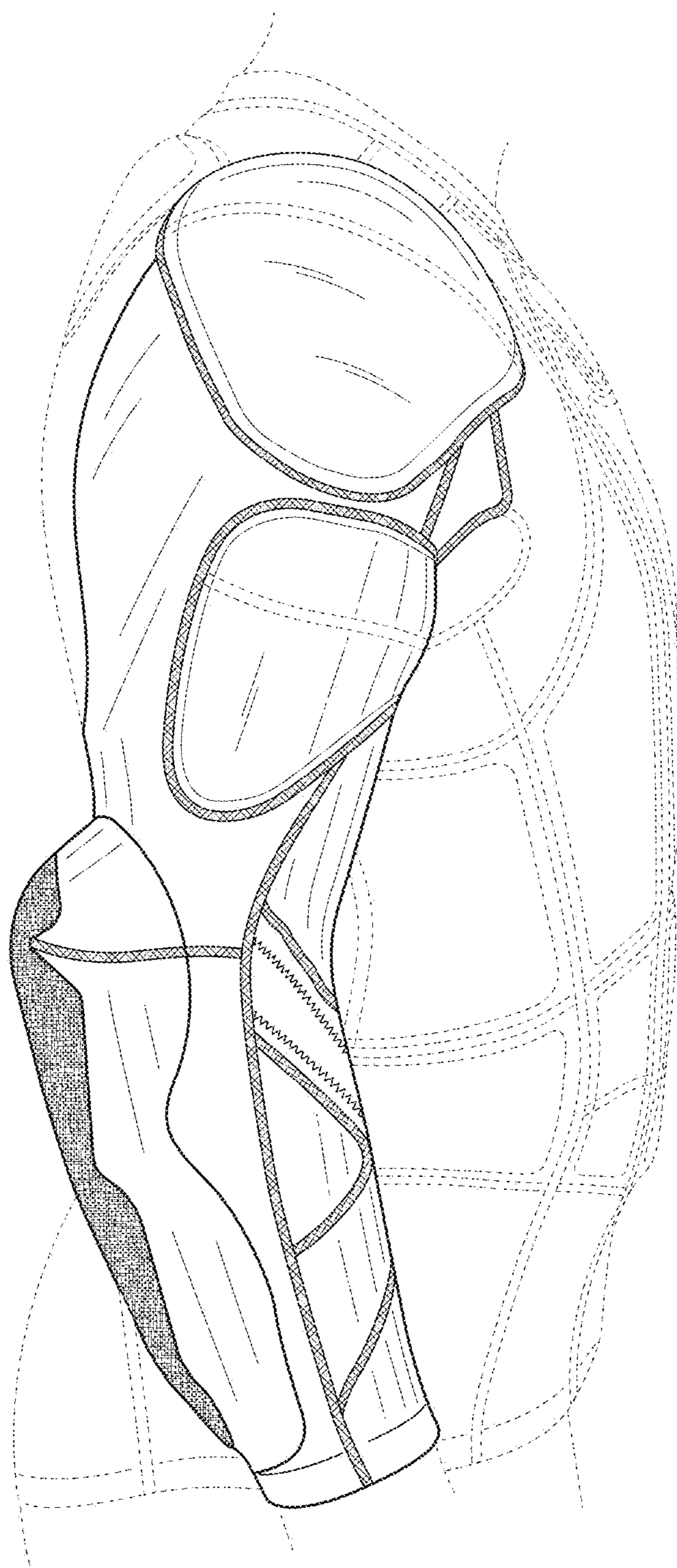
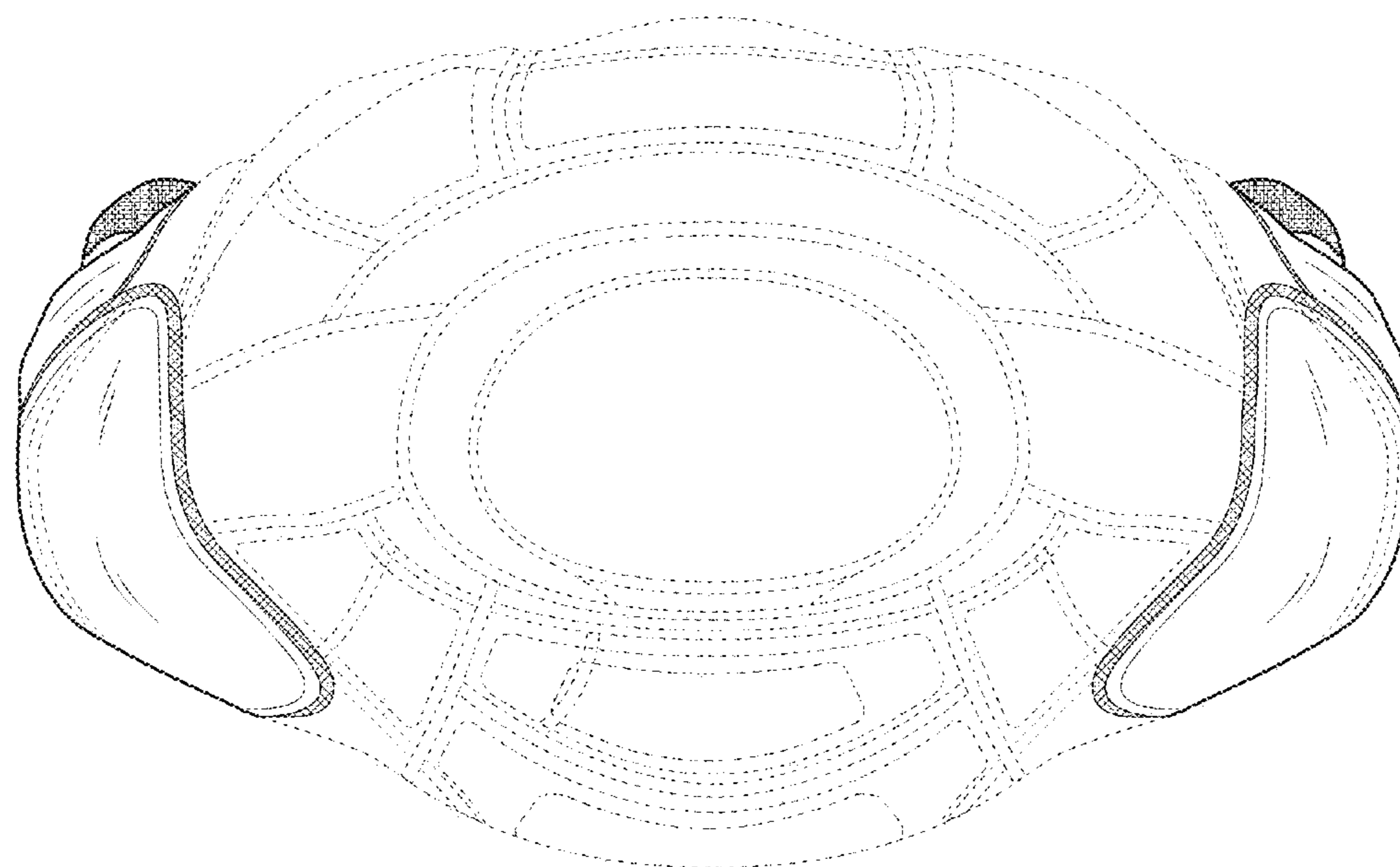


Fig. 3



**Fig. 4**



**Fig. 5**