



US00D720915S

(12) **United States Design Patent**
Fox

(10) **Patent No.:** **US D720,915 S**
(45) **Date of Patent:** **** Jan. 6, 2015**

- (54) **FLOOR JACK**
- (71) Applicant: **VIS, LLC**, Travelers Rest, SC (US)
- (72) Inventor: **Robert Fox**, Greenville, SC (US)
- (73) Assignee: **VIS, LLC**, Travelers Rest, SC (US)
- (**) Term: **14 Years**
- (21) Appl. No.: **29/479,010**
- (22) Filed: **Jan. 10, 2014**
- (51) **LOC (10) Cl.** **12-05**
- (52) **U.S. Cl.**
USPC **D34/31**
- (58) **Field of Classification Search**
USPC D34/31; 254/8 B, 8 R, 2 R, 93 H, 93 R,
254/124, DIG. 1, 134, 126
See application file for complete search history.

- D590,121 S * 4/2009 Shen et al. D34/31
- D604,025 S 11/2009 Lin
- D628,760 S * 12/2010 Fox et al. D34/31
- D688,845 S * 8/2013 Hernandez et al. D34/31
- 8,500,095 B1 8/2013 Salcedo
- 8,608,131 B2 12/2013 Kania
- 8,622,369 B2 1/2014 Kania
- 2006/0278858 A1 12/2006 Brocchini

* cited by examiner

Primary Examiner — Cynthia Ramirez

(74) *Attorney, Agent, or Firm* — J. Bennett Mullinax, LLC

(56) **References Cited**

U.S. PATENT DOCUMENTS

- D284,417 S 6/1986 Yamahishi
- D296,598 S 7/1988 Hung
- D332,337 S 1/1993 Wang
- D388,926 S * 1/1998 Sorensen D34/31
- D421,516 S * 3/2000 Hung D34/31
- D452,597 S * 12/2001 Hung D34/31
- D453,983 S * 2/2002 Lin D34/31
- D480,196 S 9/2003 Hsu
- D483,169 S * 12/2003 Fox D34/31
- D531,377 S * 10/2006 Liu D34/31
- D582,623 S * 12/2008 Qian et al. D34/31

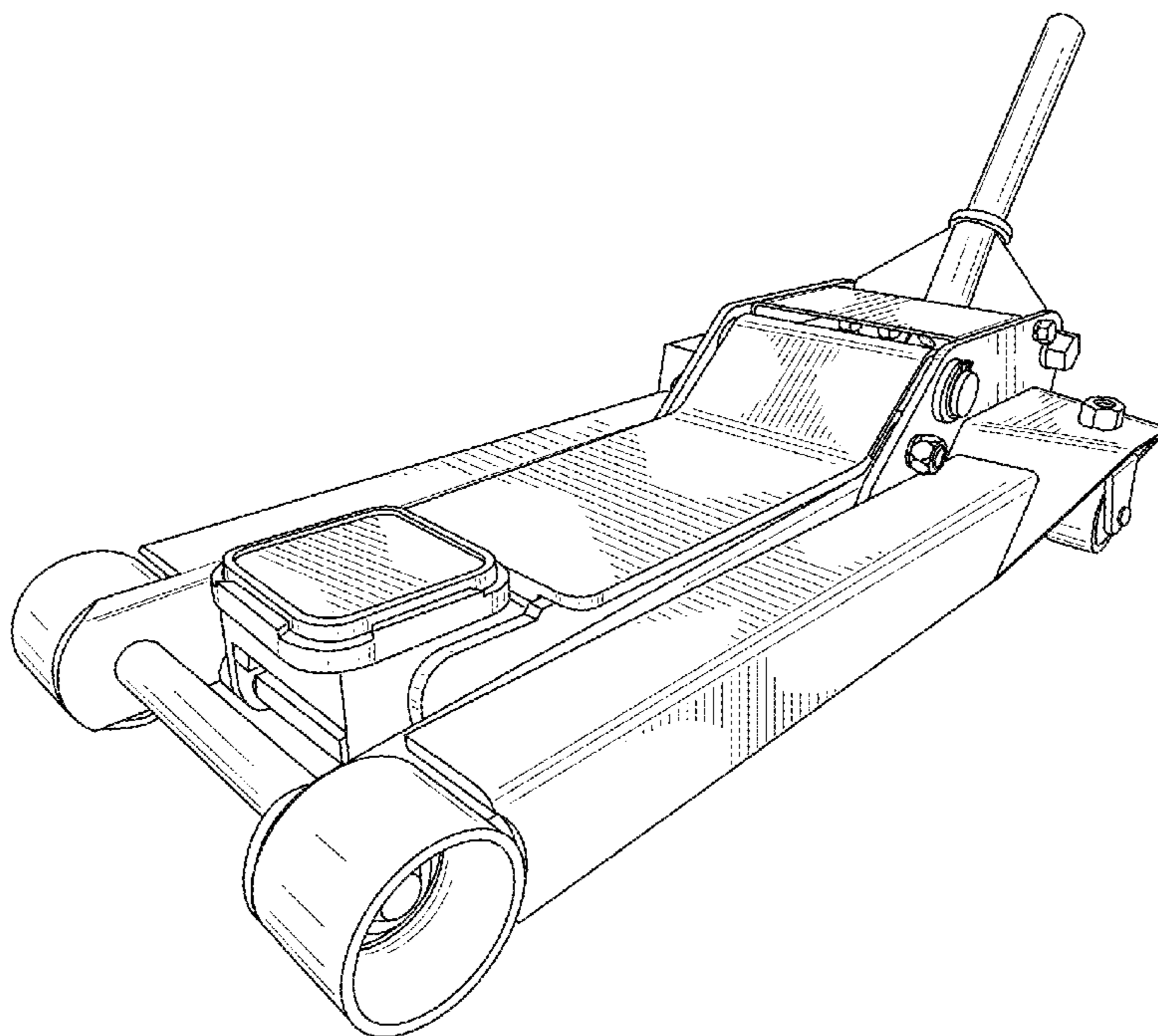
(57) **CLAIM**

The ornamental design for a floor jack, as shown and described.

DESCRIPTION

FIG. 1 is a left front side perspective view of the floor jack as shown in FIG. 1;
 FIG. 2 is a left rear side perspective view of the floor jack as shown in FIG. 1;
 FIG. 3 is a top view of the floor jack as shown in FIG. 1;
 FIG. 4 is a bottom view of the floor jack as shown in FIG. 1;
 FIG. 5 is a front view of the floor jack as shown in FIG. 1;
 FIG. 6 is a rear view of the floor jack as shown in FIG. 1;
 FIG. 7 is a left side view of the floor jack as shown in FIG. 1;
 and,
 FIG. 8 is a right side view of the floor jack as shown in FIG. 1.

1 Claim, 7 Drawing Sheets



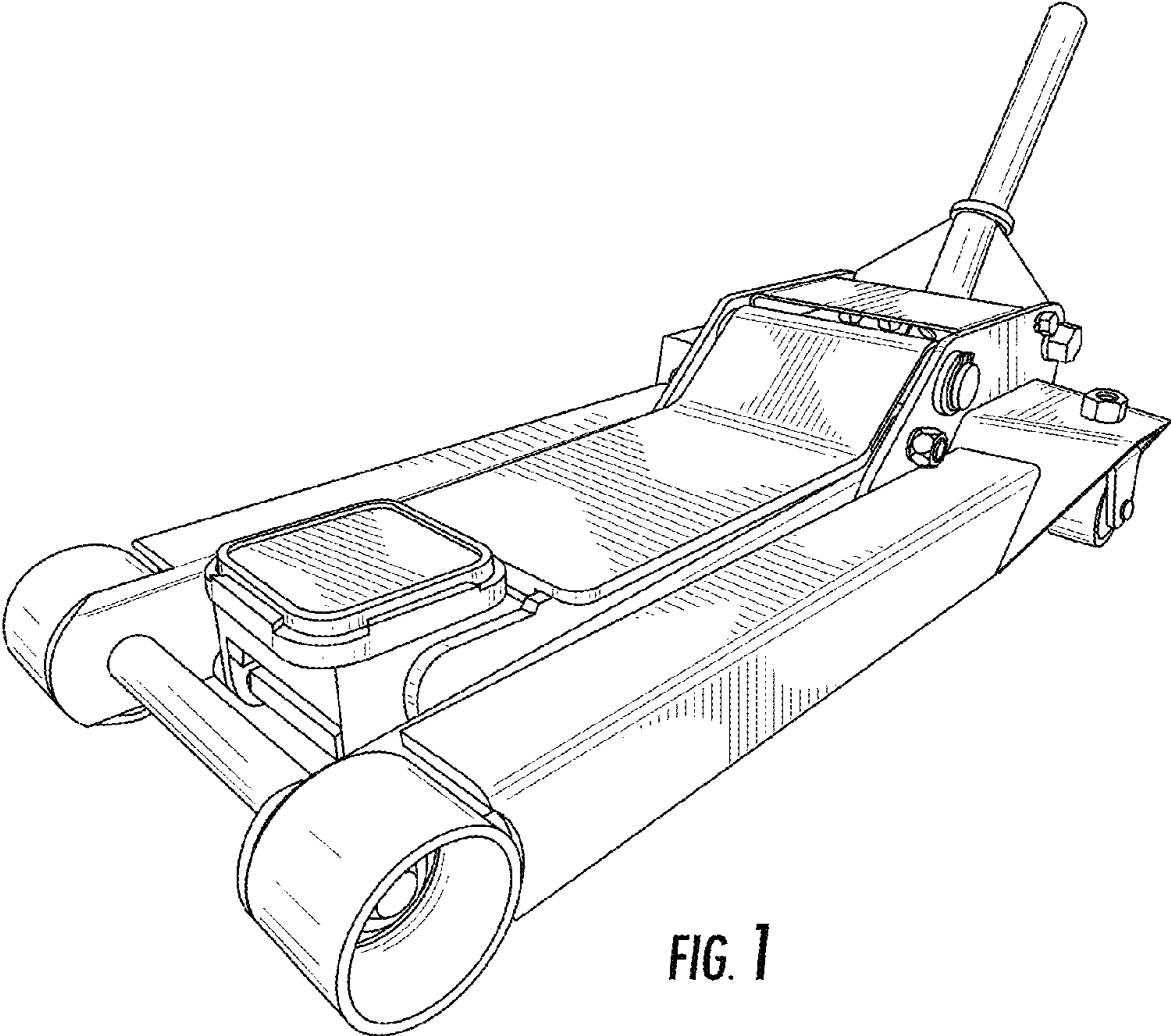


FIG. 1

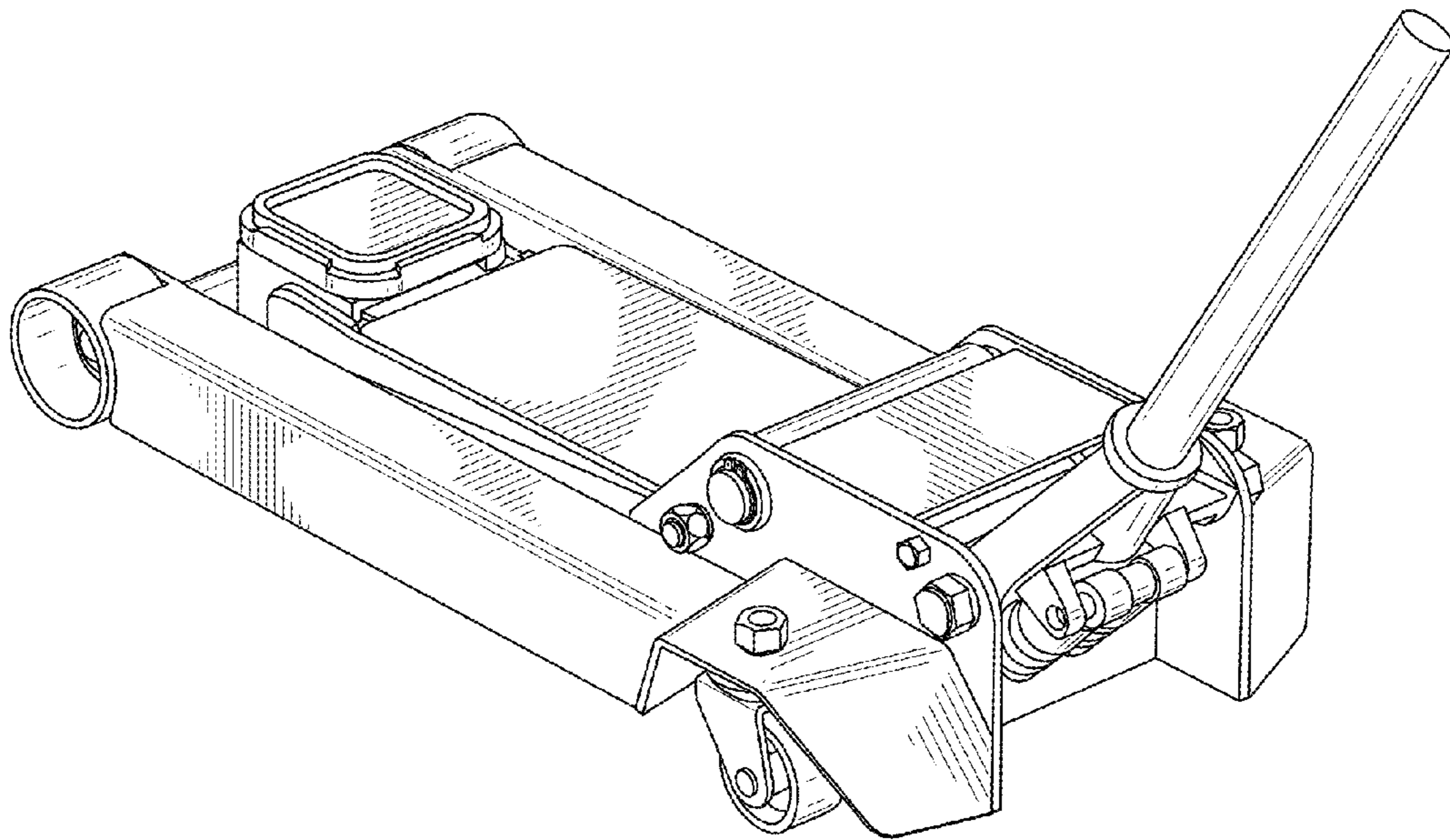


FIG. 2

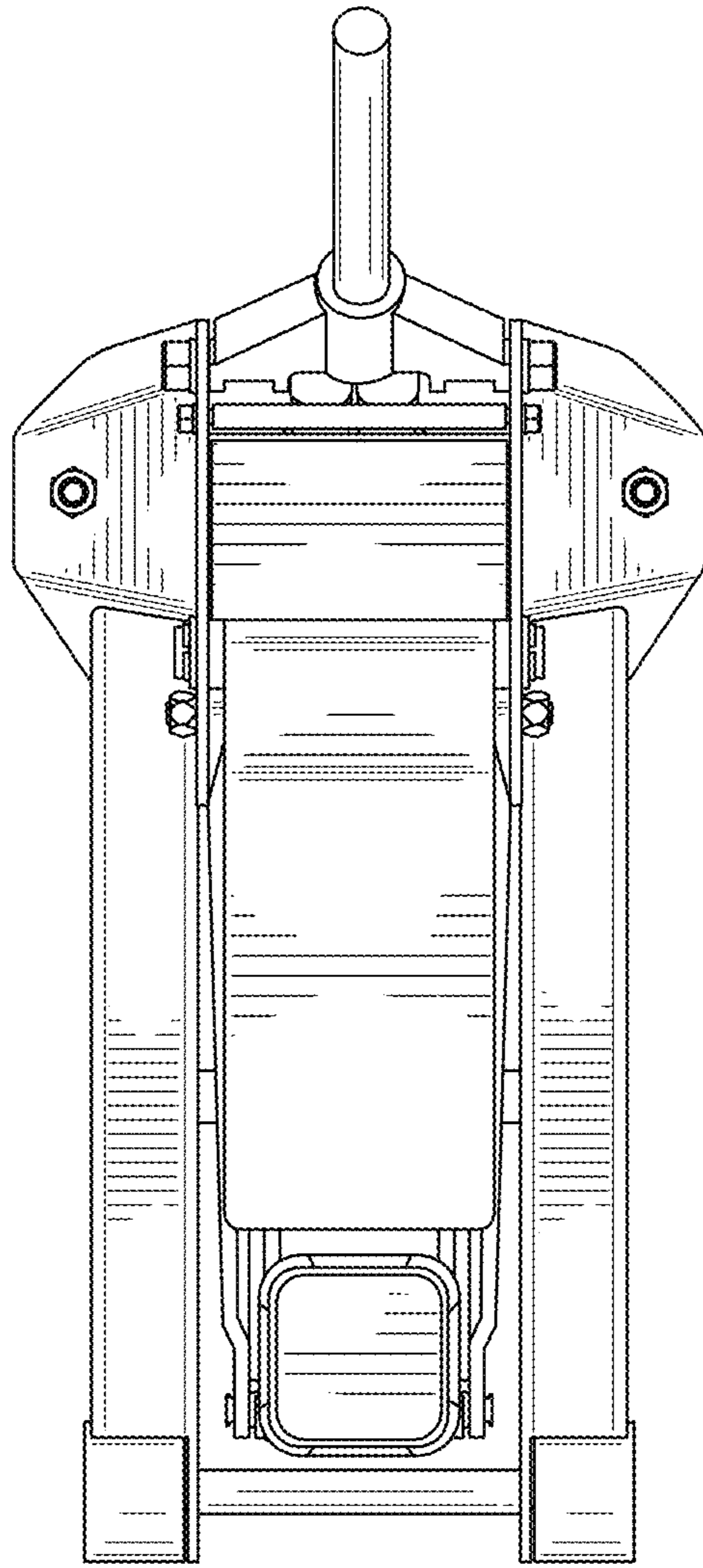


FIG. 3

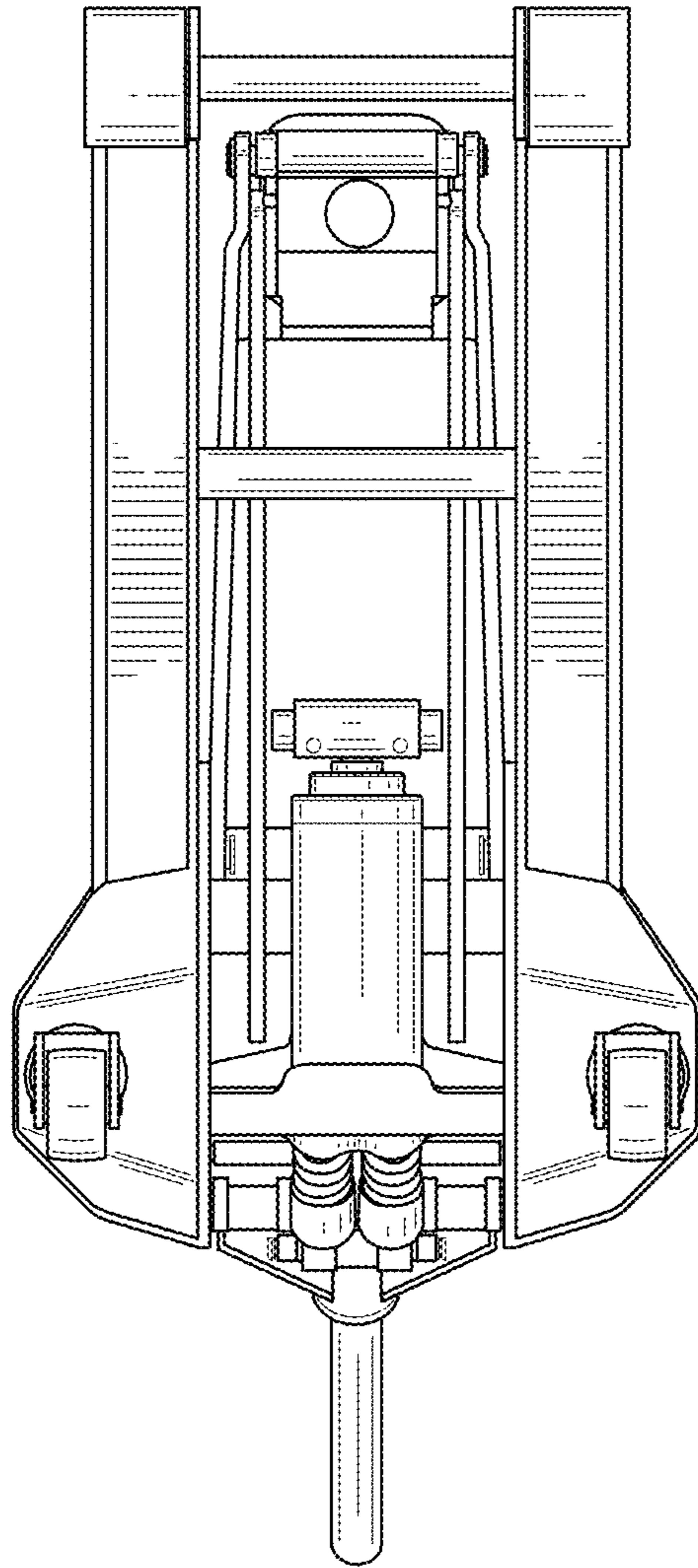


FIG. 4

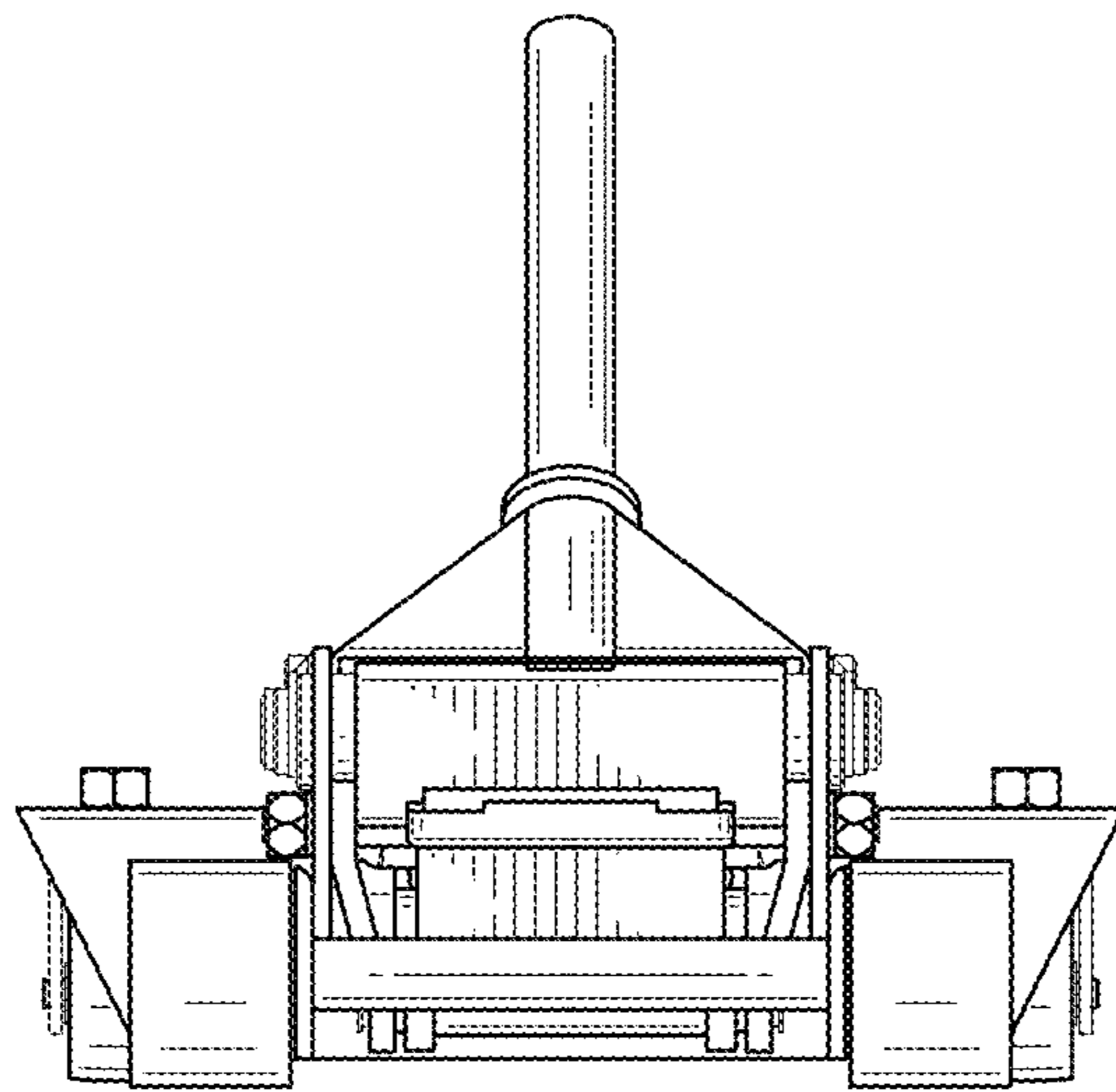


FIG. 5

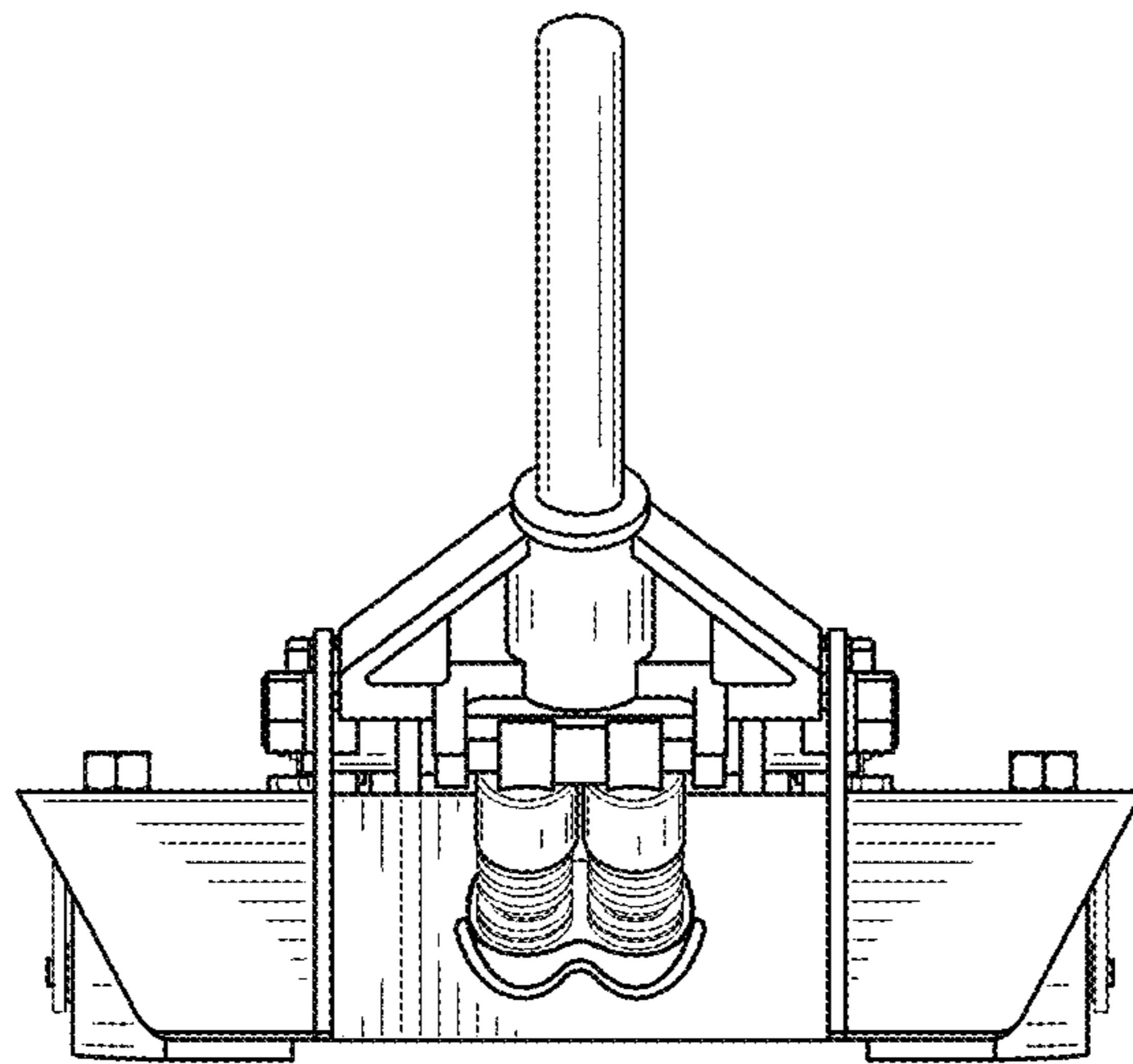


FIG. 6

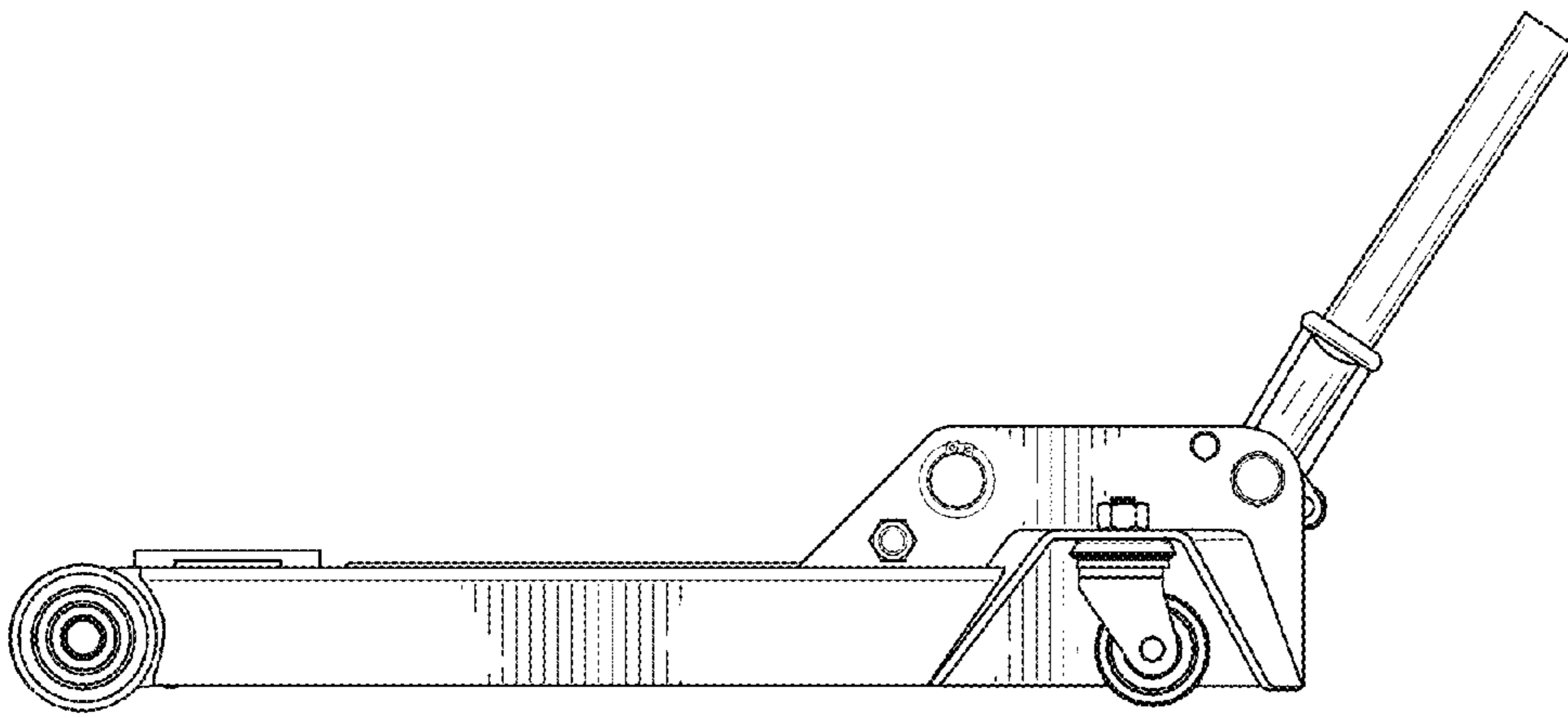


FIG. 7

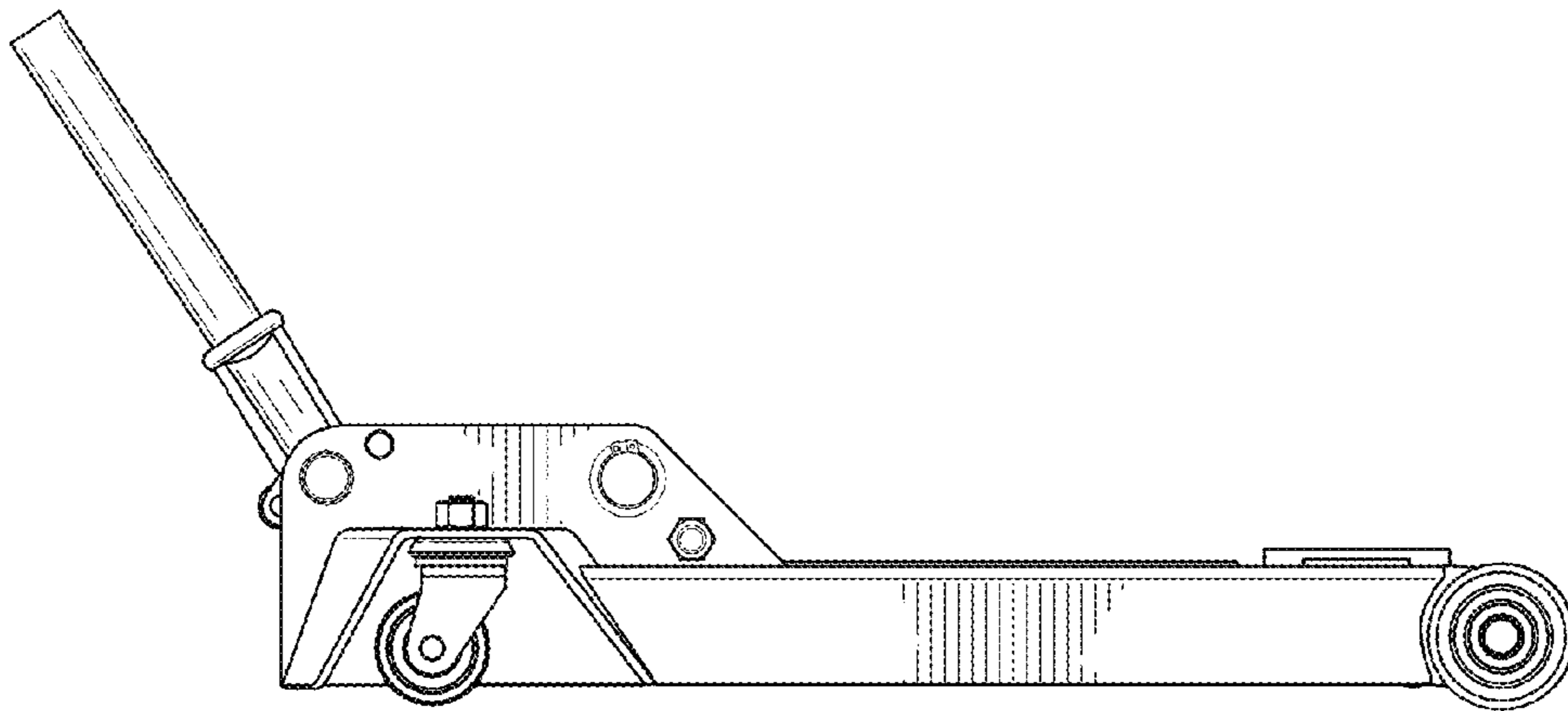


FIG. 8