



US00D720912S

(12) **United States Design Patent**
Bruch

(10) **Patent No.:** **US D720,912 S**

(45) **Date of Patent:** **** Jan. 6, 2015**

- (54) **DOOR TRANSPORT DOLLY**
- (71) Applicant: **Kevin Lee Bruch**, Sedalia, CO (US)
- (72) Inventor: **Kevin Lee Bruch**, Sedalia, CO (US)
- (**) Term: **14 Years**
- (21) Appl. No.: **29/480,350**
- (22) Filed: **Jan. 24, 2014**
- (51) **LOC (10) Cl.** **12-02**
- (52) **U.S. Cl.**
USPC **D34/23**
- (58) **Field of Classification Search**
CPC B62B 2202/42; B62B 2202/24; B62B 1/268;
B62B 5/0083; B62B 3/108
USPC D34/12-27, 28; 280/79.7, 63, 47.131,
280/47.33; 414/444, 111
See application file for complete search history.

7,017,939	B2 *	3/2006	Darling, III	280/652
D550,921	S *	9/2007	McMorris	D34/23
D575,921	S *	8/2008	Stone, Jr.	D34/23
D678,644	S *	3/2013	Hood	D34/24
2002/0033584	A1 *	3/2002	Kawensky	280/79.11
2014/0015211	A1 *	1/2014	Whitefield	280/79.7

* cited by examiner

Primary Examiner — Cynthia Ramirez

(57) **CLAIM**

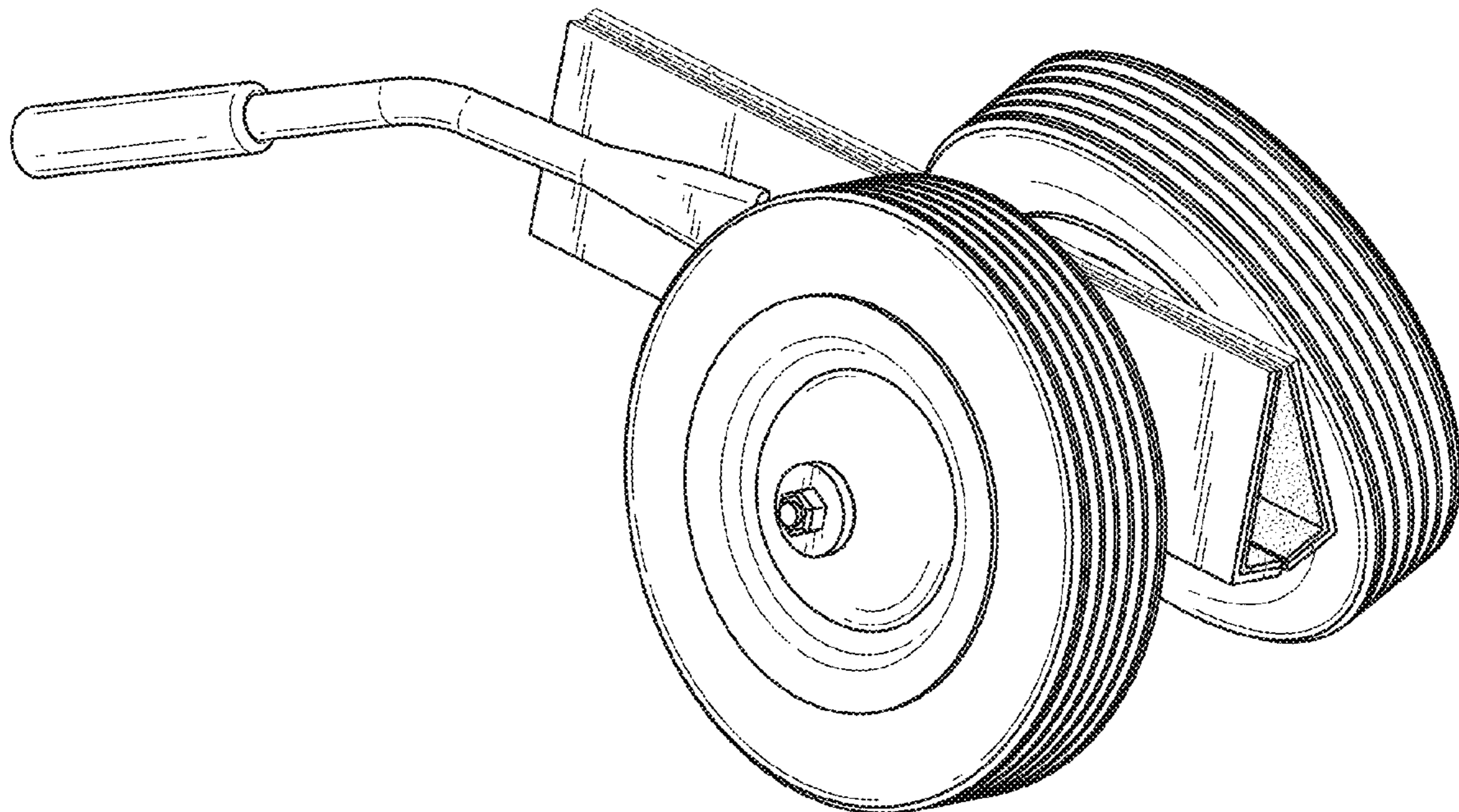
The ornamental design for a door transport dolly, as shown and described.

DESCRIPTION

FIG. 1 is a perspective front view of a door transport dolly; FIG. 2 is a front elevation view of the door transport dolly; FIG. 3 is a rear elevation view of the door transport dolly; FIG. 4 is a left side elevation view of the door transport dolly; FIG. 5 is a right side view of the door transport dolly; FIG. 6 is a top plan view of the door transport dolly; FIG. 7 is a bottom plan view of the door transport dolly; FIG. 8 is a front elevation view of the door transport dolly shown in an alternate disposition; and, FIG. 9 is a perspective front view of the door transport dolly shown in use in a second alternate disposition. The broken line showing of a door in FIG. 9 is included for the purpose of illustrating environment and forms no part of the claimed design.

1 Claim, 5 Drawing Sheets

- (56) **References Cited**
U.S. PATENT DOCUMENTS
2,816,771 A * 12/1957 Hunt 280/47.131
3,942,813 A * 3/1976 Dombroski 280/47.131
D310,894 S * 9/1990 Smith D34/23
D340,337 S * 10/1993 Beasley D34/23
5,318,316 A * 6/1994 Shurtleff 280/79.7
D476,476 S * 7/2003 Hansen D3/204
6,866,274 B1 * 3/2005 Muscat 280/79.7
6,880,836 B2 * 4/2005 Kawensky 280/79.11



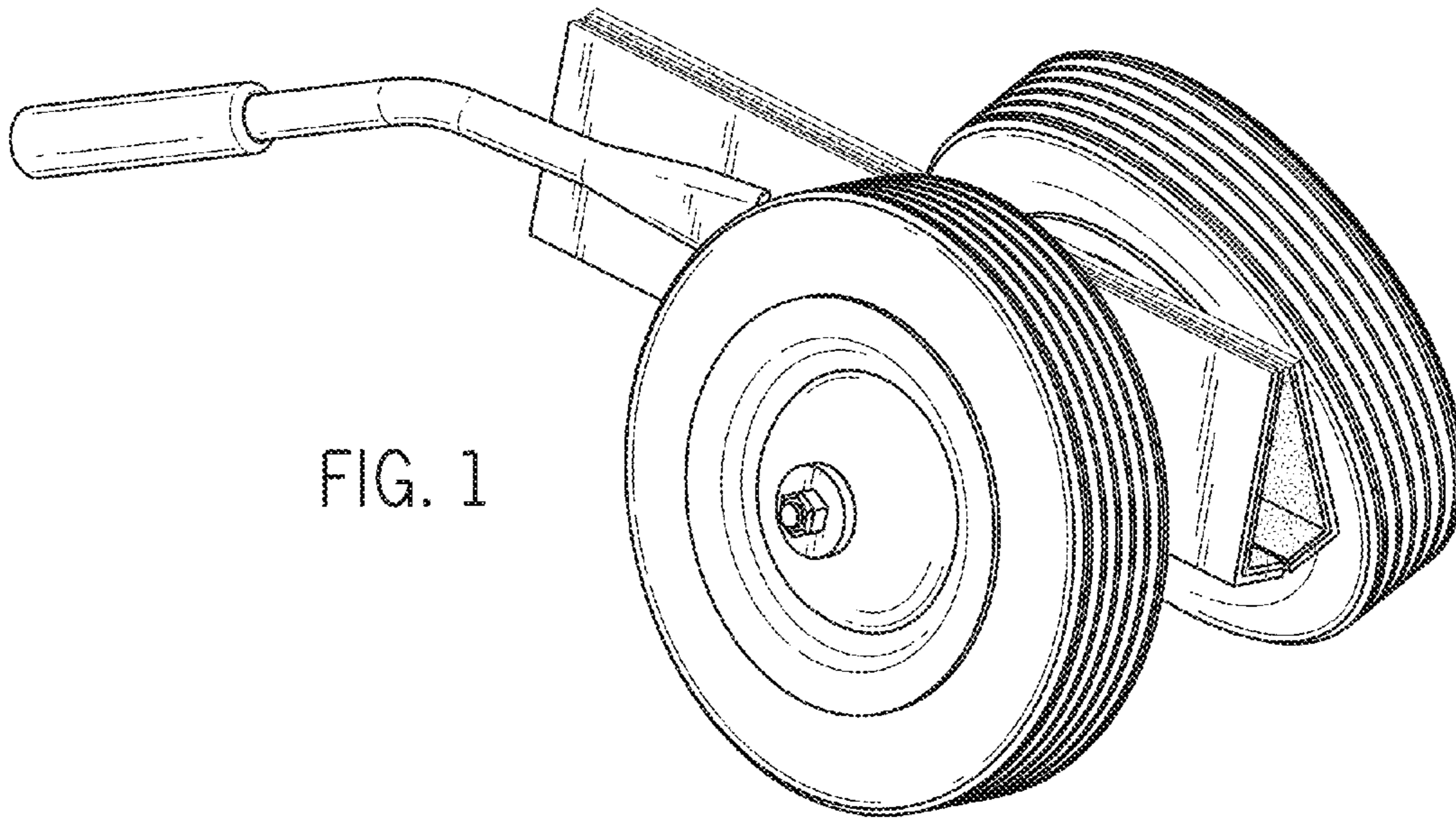


FIG. 1

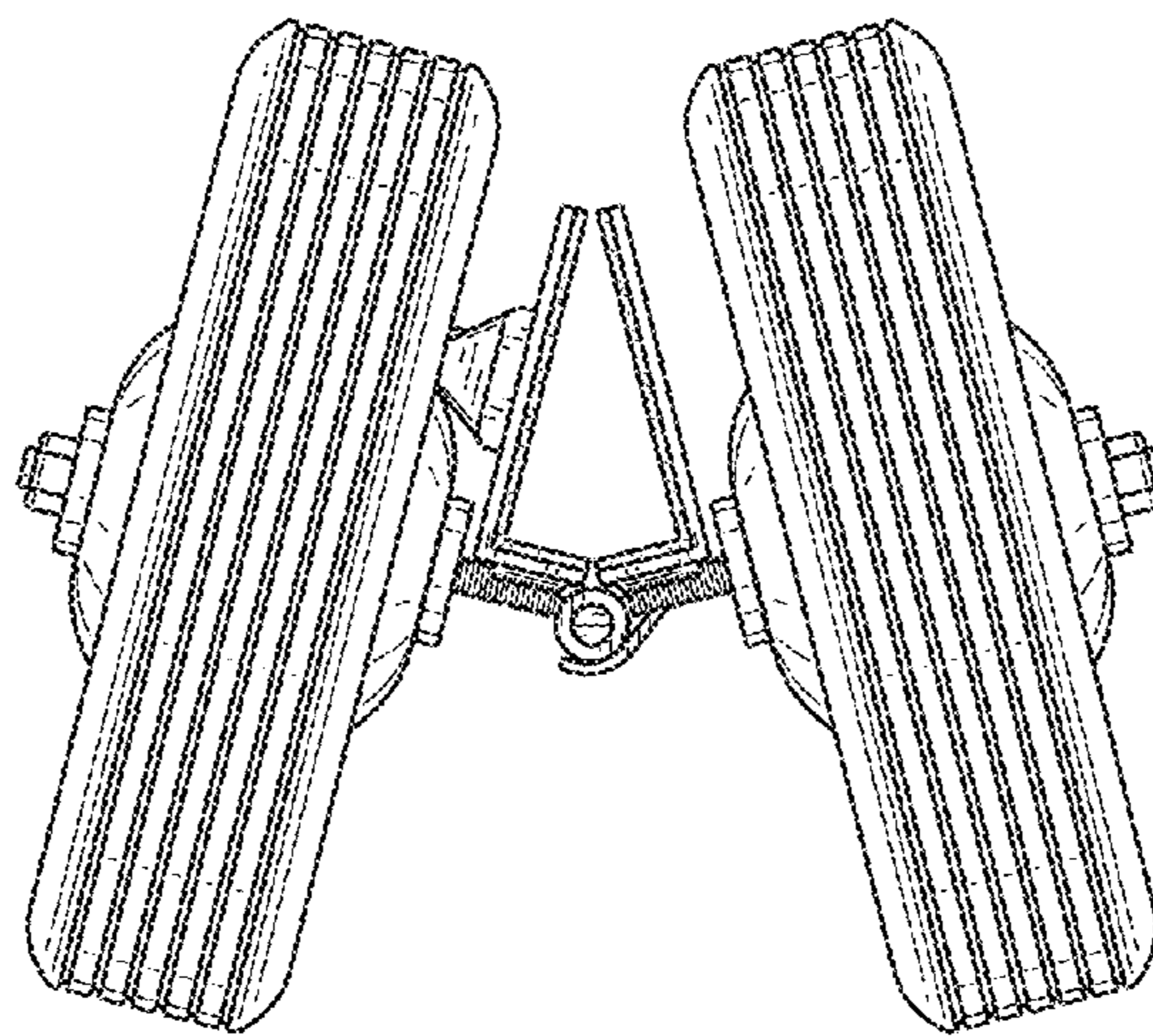


FIG. 2

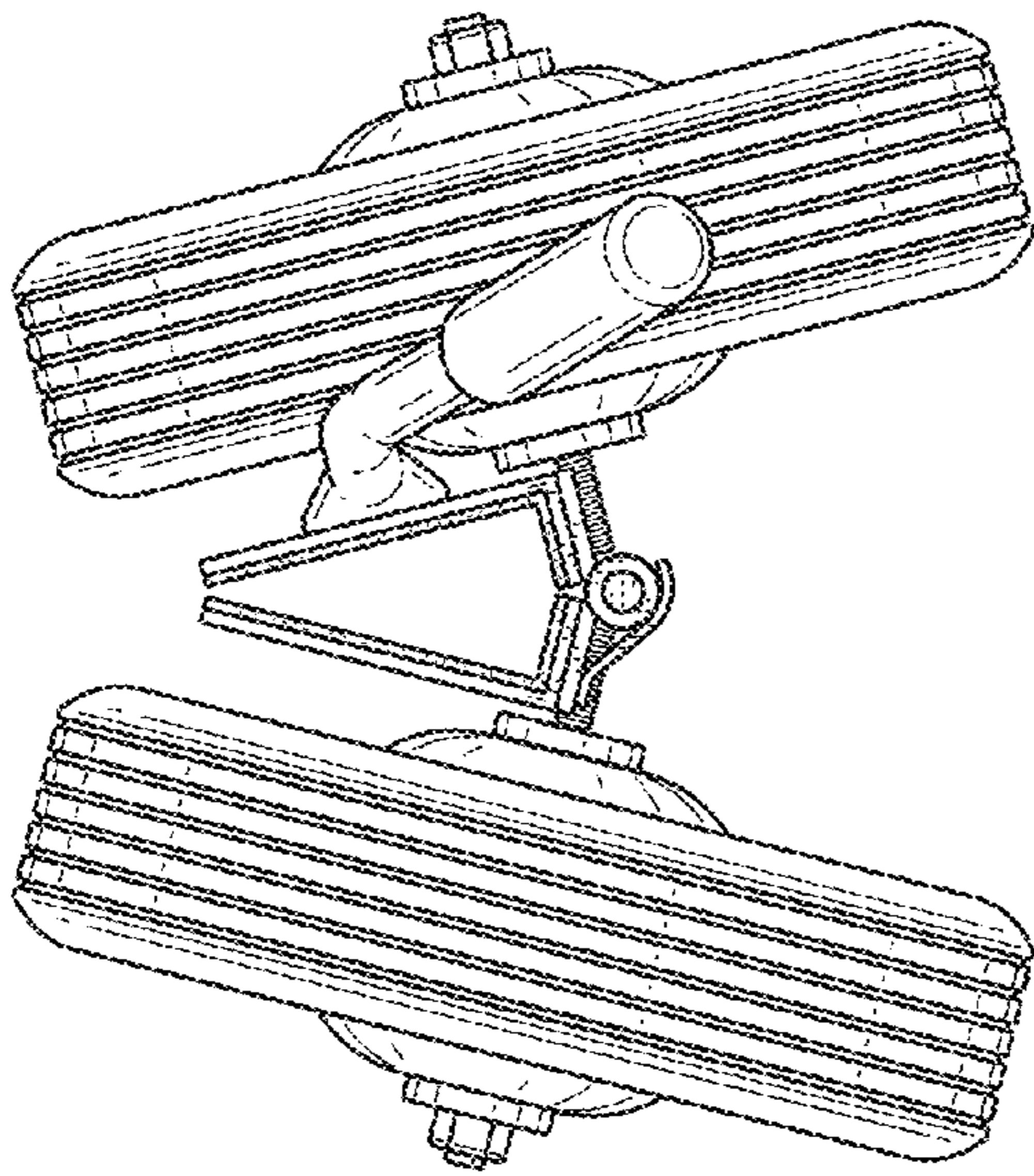


FIG. 3

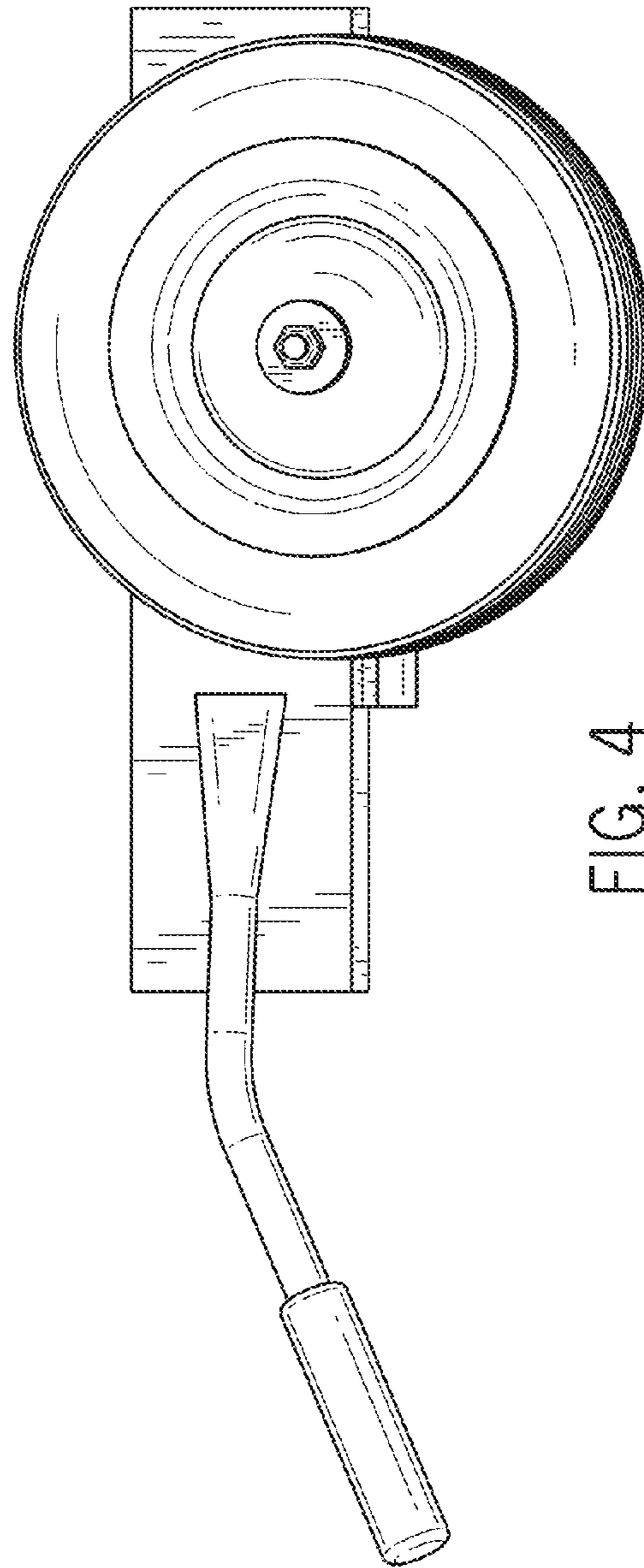


FIG. 4

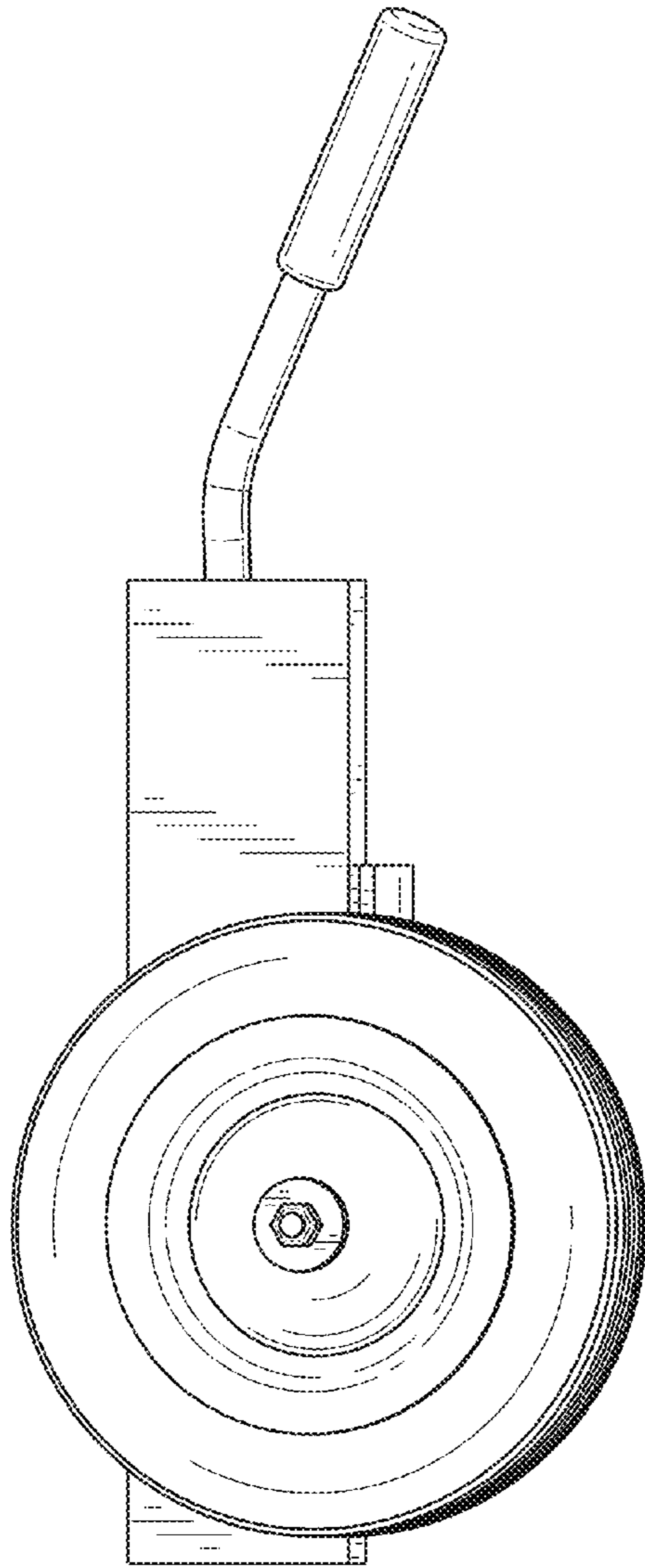


FIG. 5

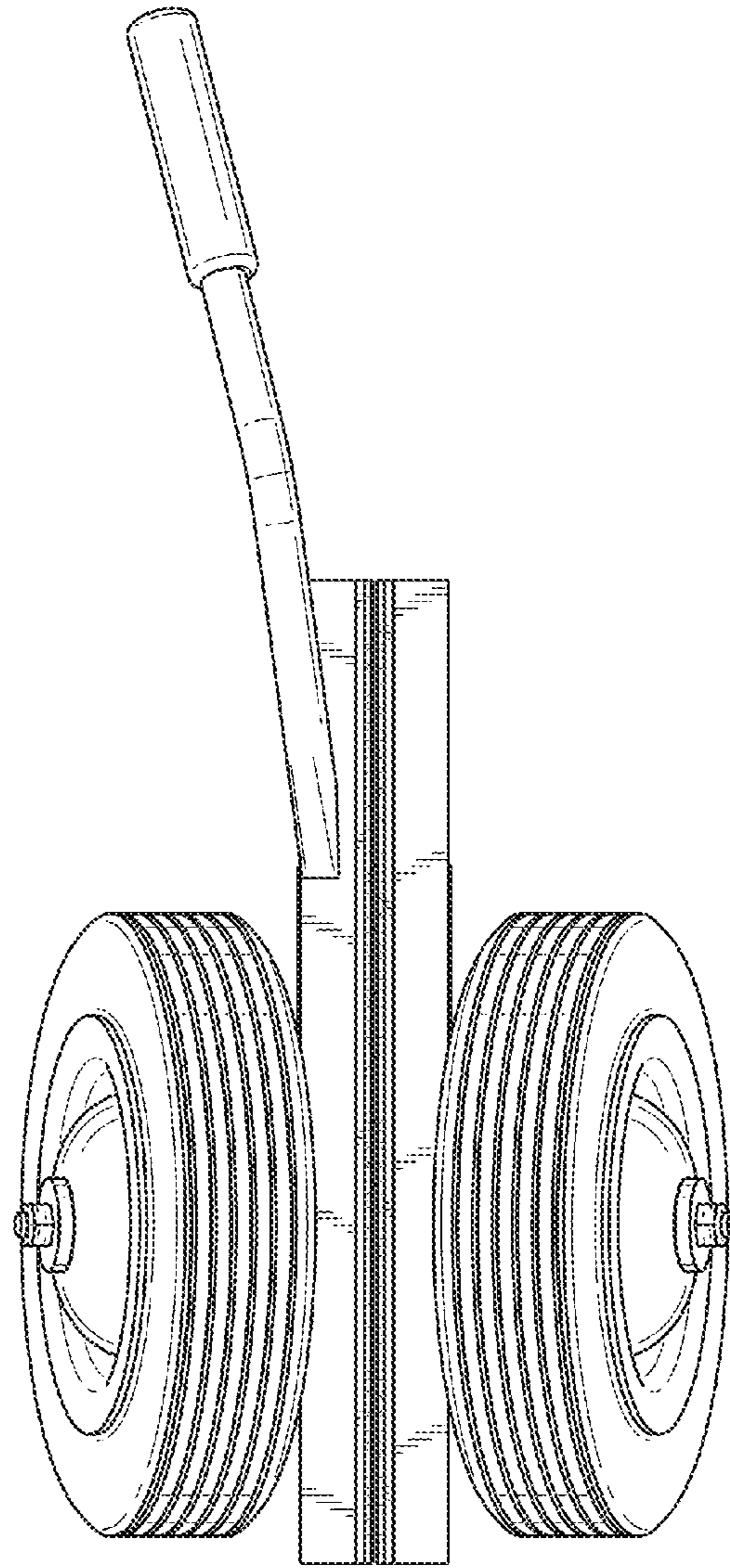


FIG. 6

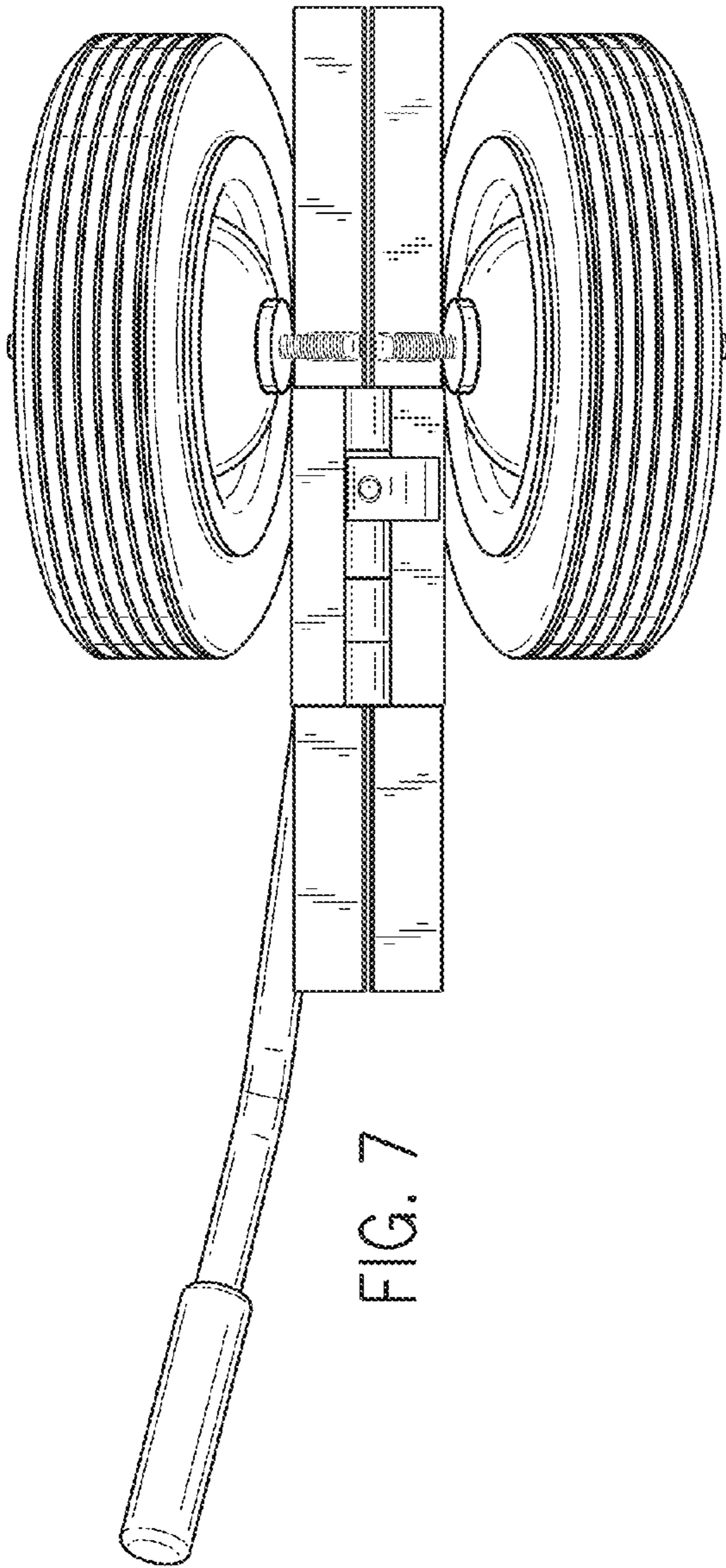


FIG. 7

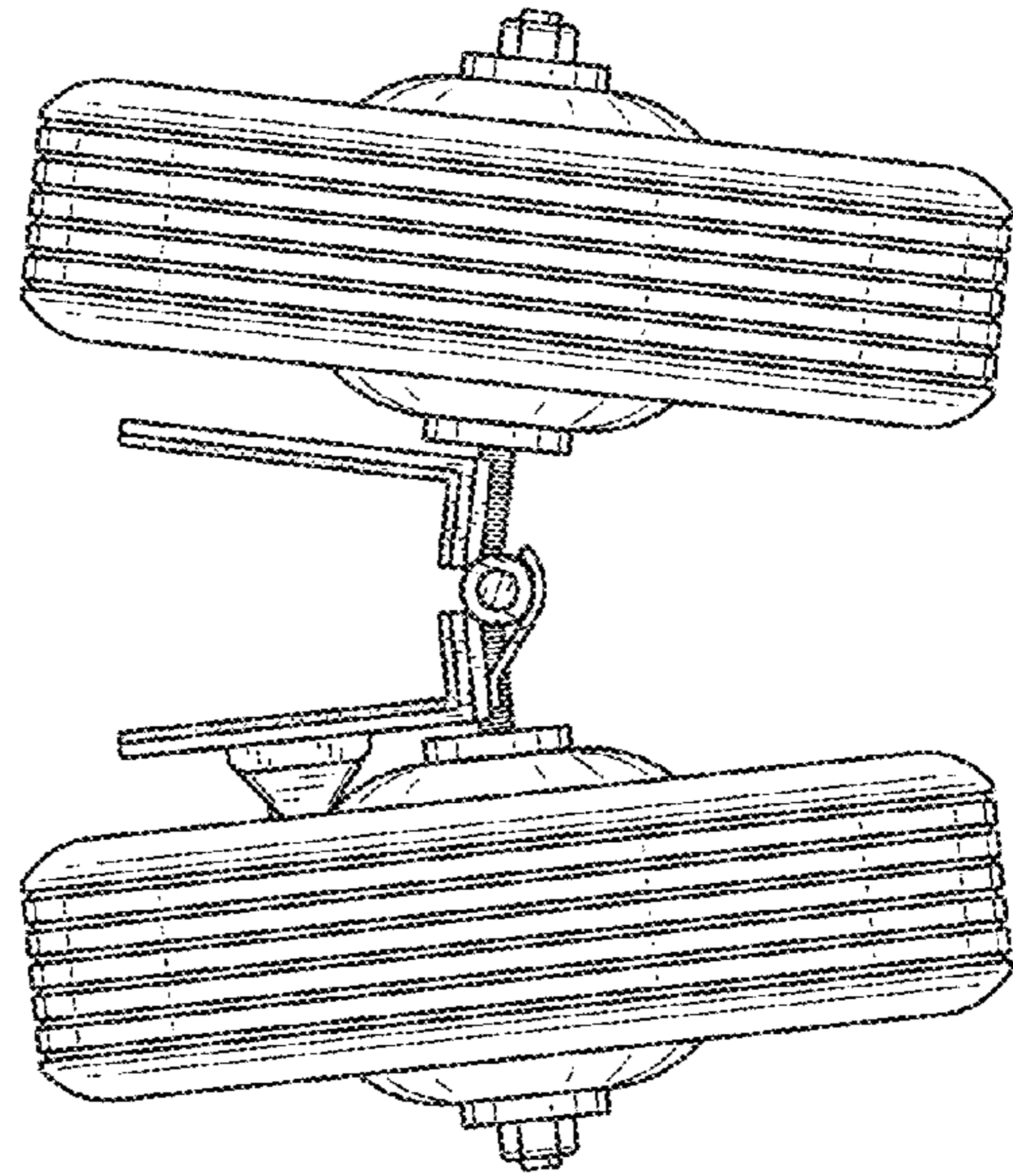


FIG. 8

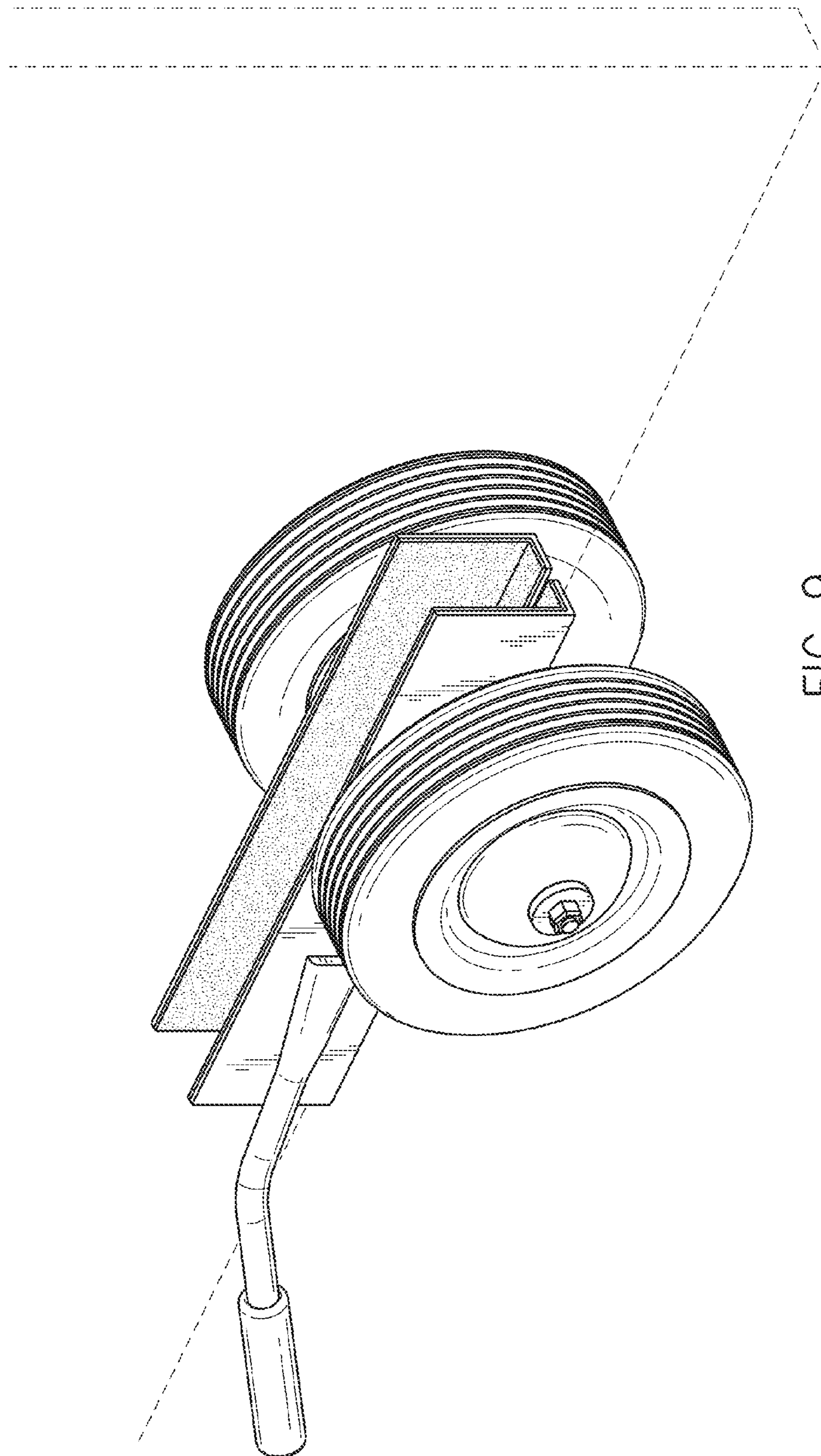


FIG. 9