

US00D720909S

(12) **United States Design Patent**
Vasilakes et al.

(10) **Patent No.:** **US D720,909 S**
(45) **Date of Patent:** **** Jan. 6, 2015**

(54) **DUSTPAN**
(71) Applicant: **3M Innovative Properties Company**,
St. Paul, MN (US)
(72) Inventors: **Lloyd S. Vasilakes**, Stillwater, MN (US);
Mark W. Baldwin, Woodbury, MN (US)
(73) Assignee: **3M Innovative Properties Company**,
St. Paul, MN (US)

(**) Term: **14 Years**

(21) Appl. No.: **29/497,524**

(22) Filed: **Jul. 25, 2014**

(51) **LOC (10) Cl.** **07-05**

(52) **U.S. Cl.**
USPC **D32/74**

(58) **Field of Classification Search**
CPC A47L 13/52; A47L 13/51; A46B 15/00;
A46B 15/97; A46B 15/95; A46B 17/04;
A46B 5/04; A46B 5/00; A46B 2200/302
USPC D32/74, 41; D30/162; D7/691, 688;
D4/116; 15/257.5, 257.3, 257.2, 257.1;
134/6

See application file for complete search history.

(56) **References Cited**

U.S. PATENT DOCUMENTS

D286,697 S * 11/1986 Marttinen D32/74
D484,659 S * 12/2003 Perelli et al. D32/74

D551,820 S * 9/2007 Morad D32/74
D594,618 S * 6/2009 Ekercio lu D32/74
D602,214 S * 10/2009 Petersen D30/162
D602,657 S * 10/2009 Petersen D30/162
D636,139 S * 4/2011 Jones et al. D32/74
D677,849 S * 3/2013 Petersen D32/74
D684,331 S * 6/2013 Vasilakes et al. D32/74
D695,471 S * 12/2013 Buhagiar D30/162

* cited by examiner

Primary Examiner — Austin Murphy

(74) *Attorney, Agent, or Firm* — Irina Hass

(57) **CLAIM**

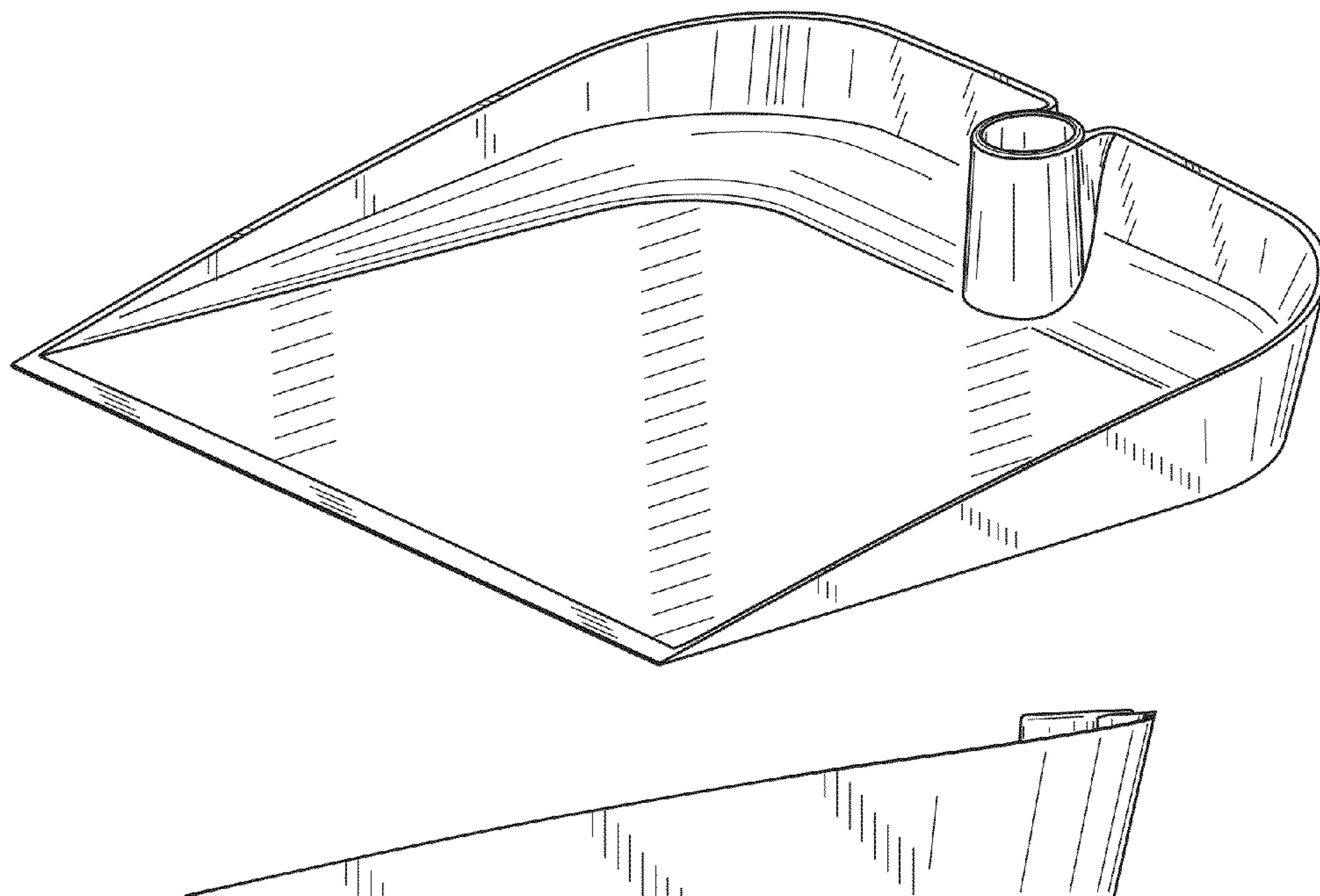
The ornamental design for a dustpan, as shown and described.

DESCRIPTION

FIG. 1 is a perspective view showing the new design for a dustpan;
FIG. 2 is a right side view thereof, a left side view being a mirror image thereof;
FIG. 3 is a top view thereof;
FIG. 4 is a front view thereof;
FIG. 5 is a bottom view thereof;
FIG. 6 is a rear view thereof; and,
FIG. 7 is a perspective view thereof showing the dustpan with a handle.

The portions of the dustpan in FIGS. 3, 5, and 7 shown in broken lines are included to show features that form no part of the claimed design.

1 Claim, 4 Drawing Sheets



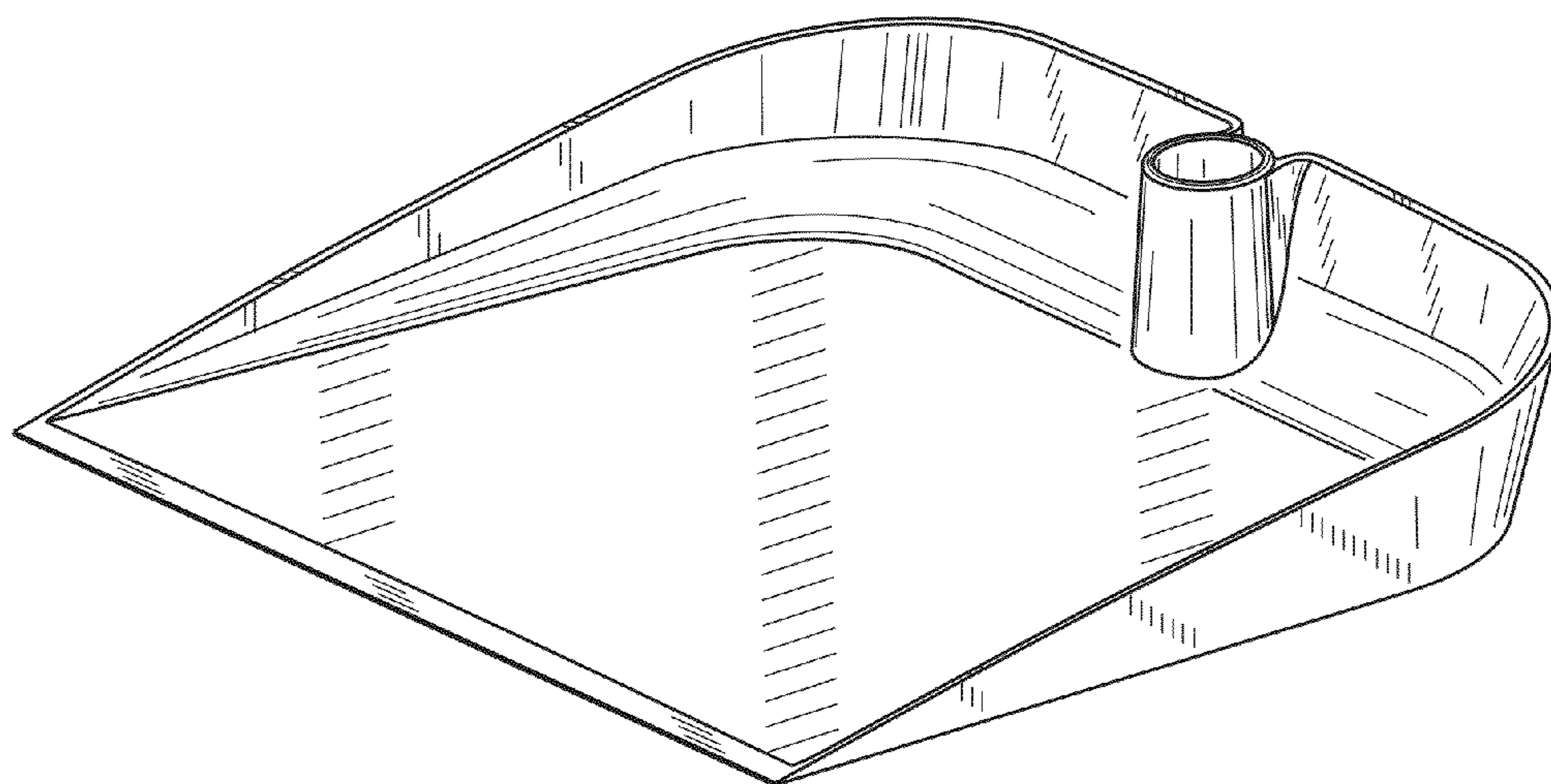


FIG. 1

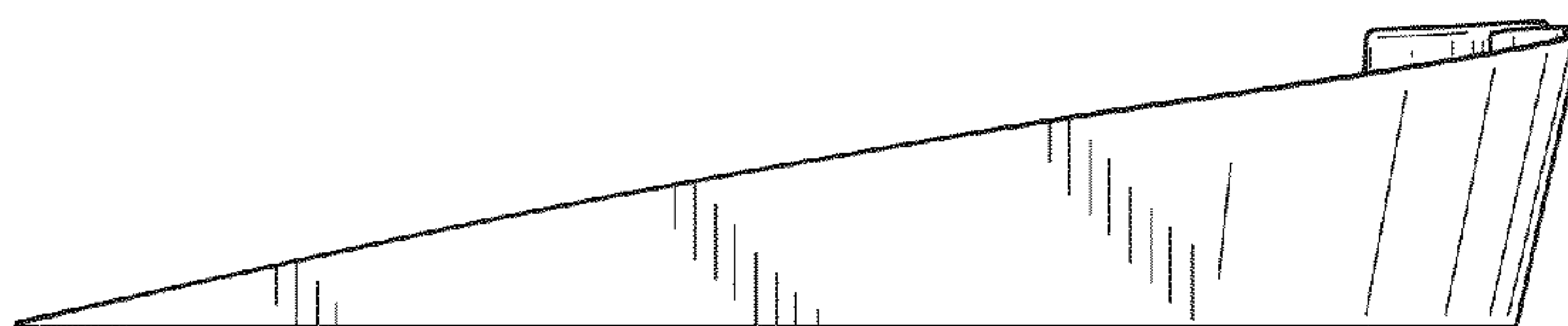


FIG. 2

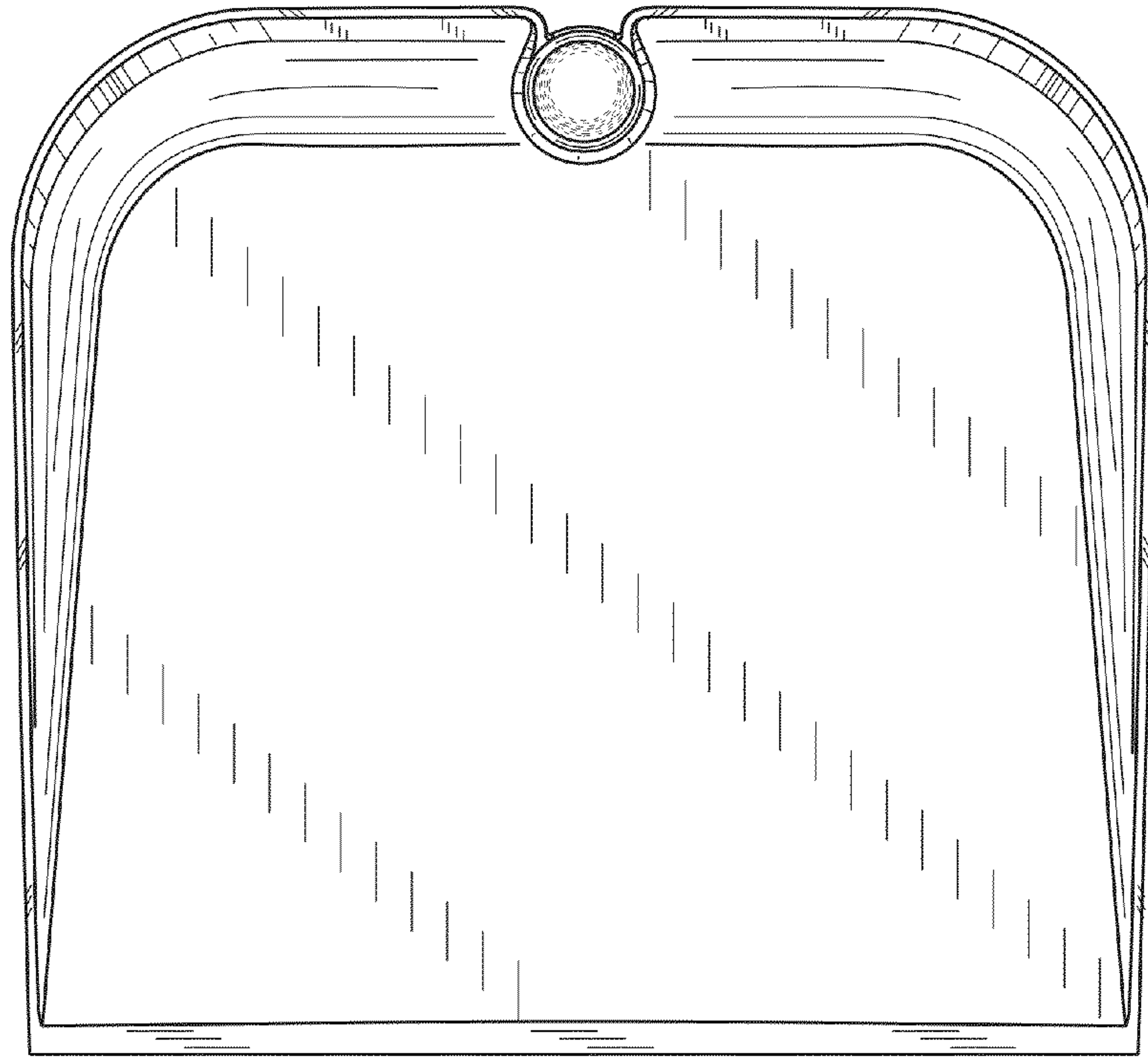


FIG. 3

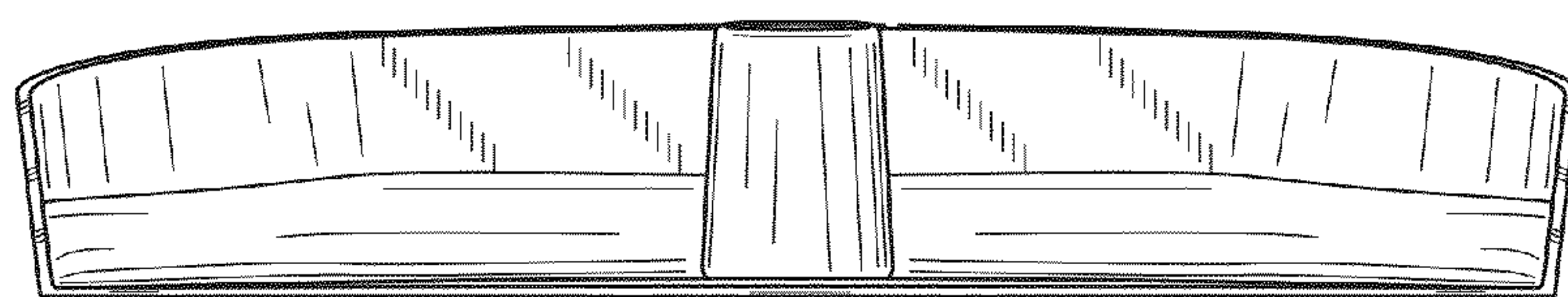


FIG. 4

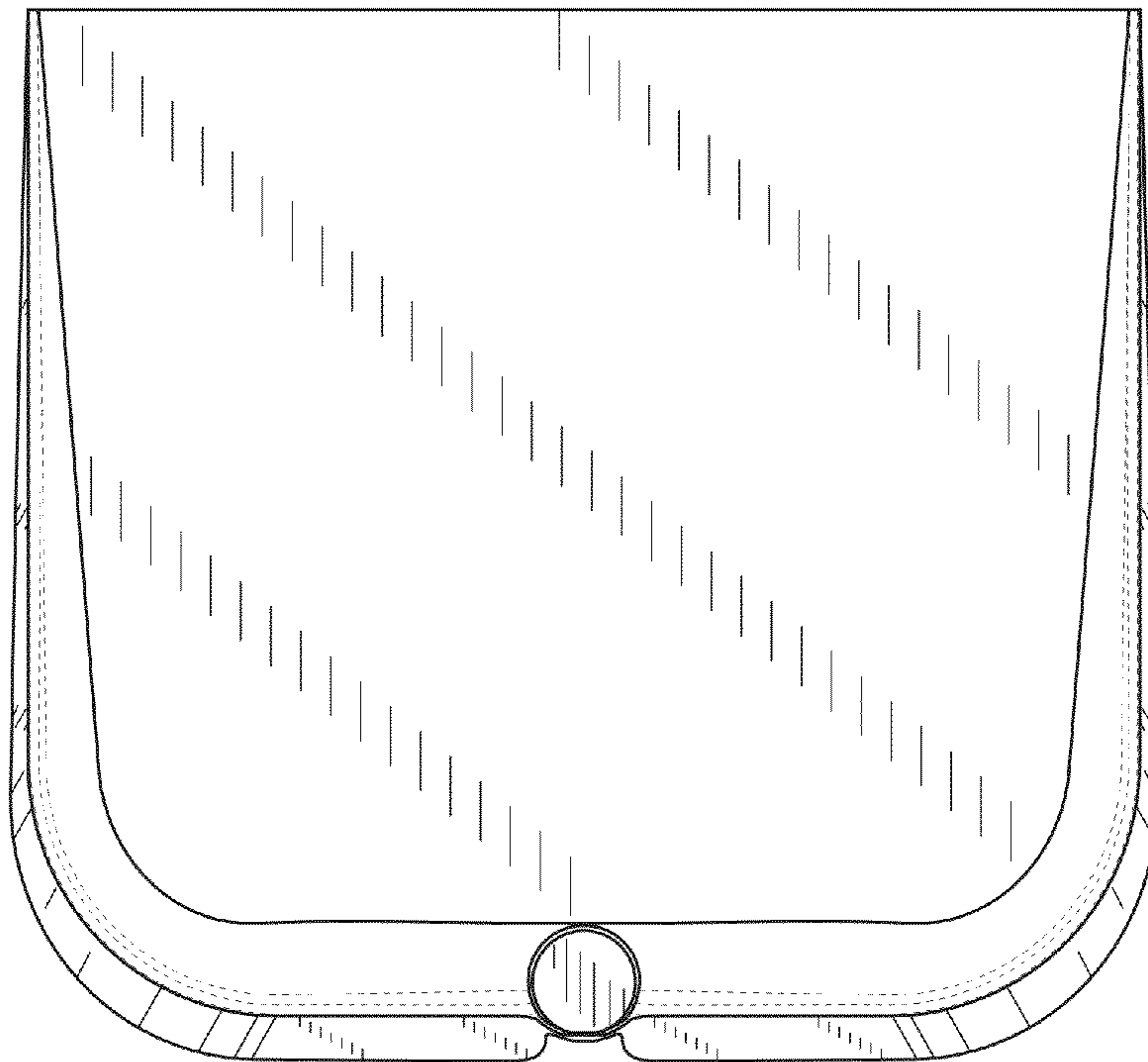


FIG. 5

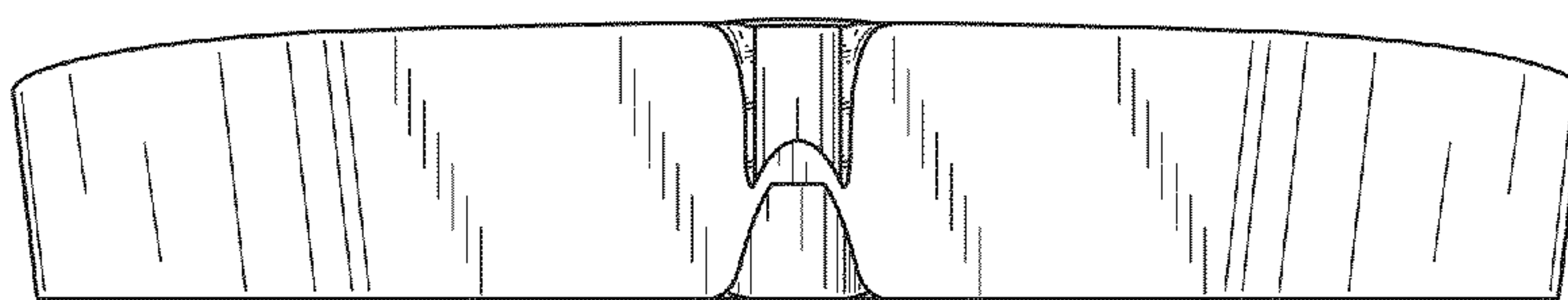


FIG. 6

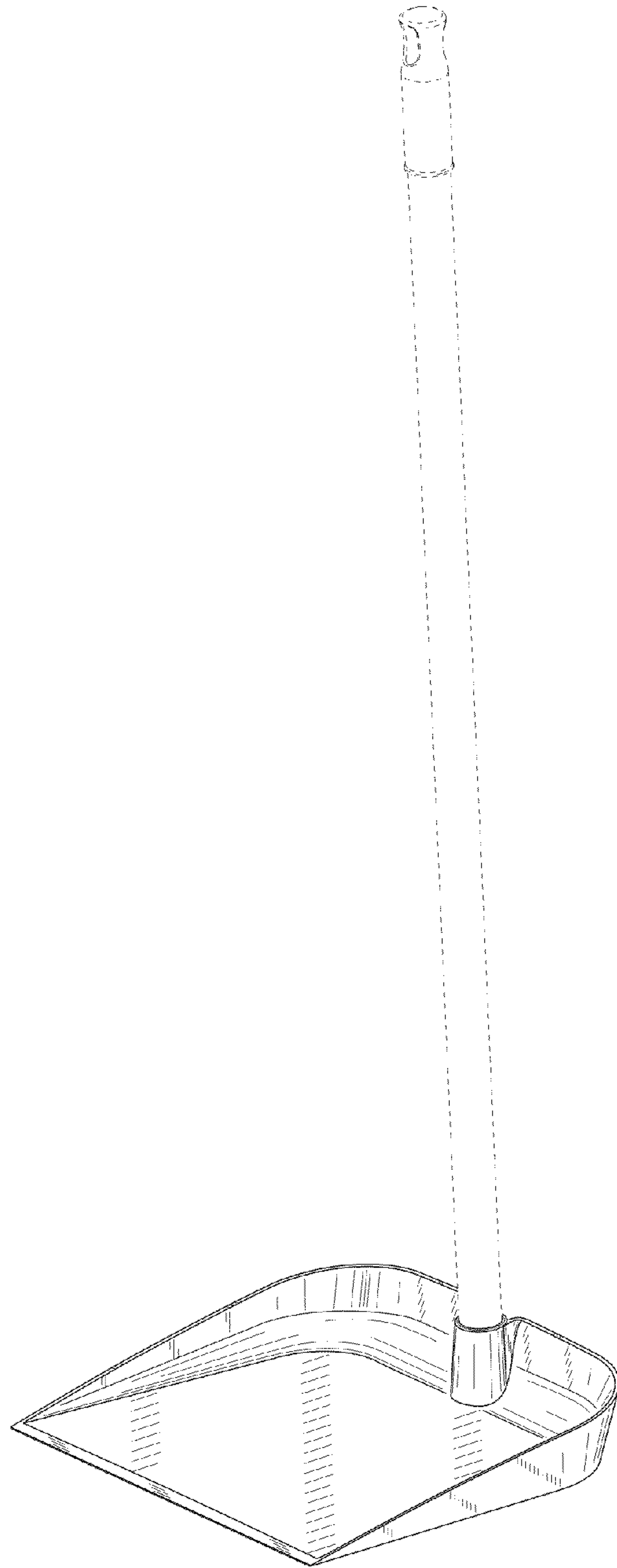


FIG. 7