



US00D720908S

(12) **United States Design Patent**
Ouyang

(10) **Patent No.:** **US D720,908 S**
(45) **Date of Patent:** **** Jan. 6, 2015**

(54) **CLOTHES AIRER**

(71) Applicant: **Ningbo Edeans Heating Systems Manufacturing Co., Ltd.**, Zhejiang Province (CN)

(72) Inventor: **Yahong Ouyang**, Zhejiang Province (CN)

(**) Term: **14 Years**

(21) Appl. No.: **29/497,177**

(22) Filed: **Jul. 22, 2014**

(30) **Foreign Application Priority Data**

Jan. 26, 2014 (CN) 2014 3 0021452

(51) **LOC (10) Cl.** **07-05**

(52) **U.S. Cl.**
USPC **D32/58**

(58) **Field of Classification Search**
USPC D32/55, 276, 3, 58; D6/510, 525;
211/41.5, 41.4, 41.3, 41.8, 195, 200;
361/679.4; 312/311, 333, 334.4;
D7/354, 629, 368
See application file for complete search history.

(56) **References Cited**

U.S. PATENT DOCUMENTS

2,406,638 A * 8/1946 Schissel 211/200
2,624,469 A * 1/1953 Adamson et al. 108/116

4,131,205 A * 12/1978 Malecki 211/200
4,239,280 A * 12/1980 Ackerman 297/18
4,297,795 A * 11/1981 Licari 34/239
D267,768 S * 2/1983 Duggan D7/368
4,807,766 A * 2/1989 Compagnucci 211/198
D322,698 S * 12/1991 Cassel D32/58
5,372,266 A * 12/1994 Fisher 211/189
6,283,314 B1 * 9/2001 Loguercio 211/200
D546,013 S * 7/2007 Pong D32/58
D564,165 S * 3/2008 King et al. D32/58
D650,542 S * 12/2011 Kontorovich et al. D32/58
D655,877 S * 3/2012 Greenway et al. D32/58
8,286,810 B2 * 10/2012 Sabounjian 211/200
8,602,229 B2 * 12/2013 Raghunathan et al. .. 211/119.01
D707,472 S * 6/2014 Wehner et al. D6/675.1

* cited by examiner

Primary Examiner — Austin Murphy

(74) *Attorney, Agent, or Firm* — Prakash Nama; Global IP Services, PLLC

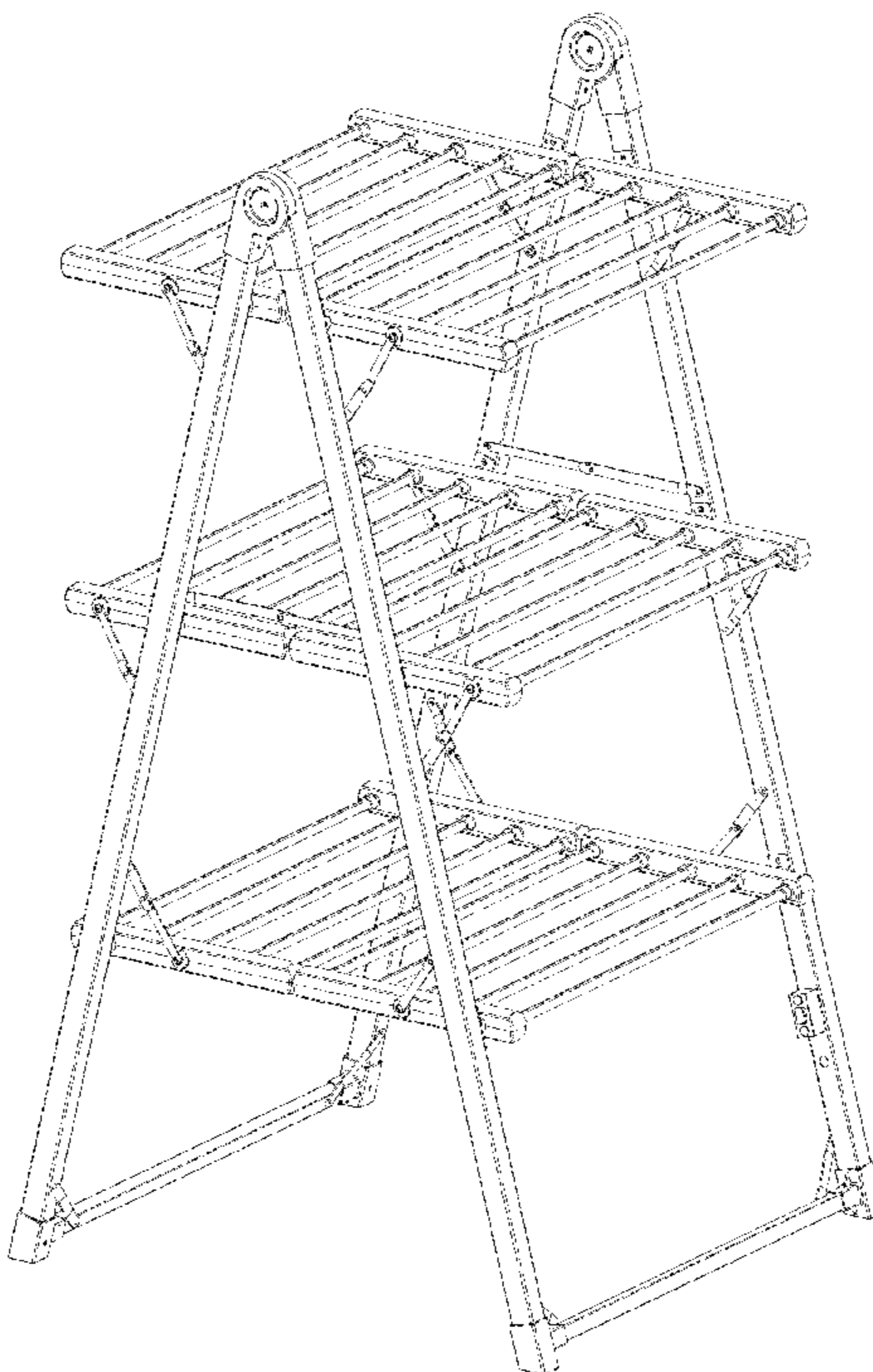
(57) **CLAIM**

The ornamental design for a clothes airer, as shown.

DESCRIPTION

FIG. 1 is a front elevational view of a clothes airer showing my new design;
FIG. 2 is a rear elevational view thereof;
FIG. 3 is a left side view thereof;
FIG. 4 is a right side view thereof;
FIG. 5 is a top plan view thereof;
FIG. 6 is a bottom plan view thereof; and,
FIG. 7 is a perspective view thereof.

1 Claim, 6 Drawing Sheets



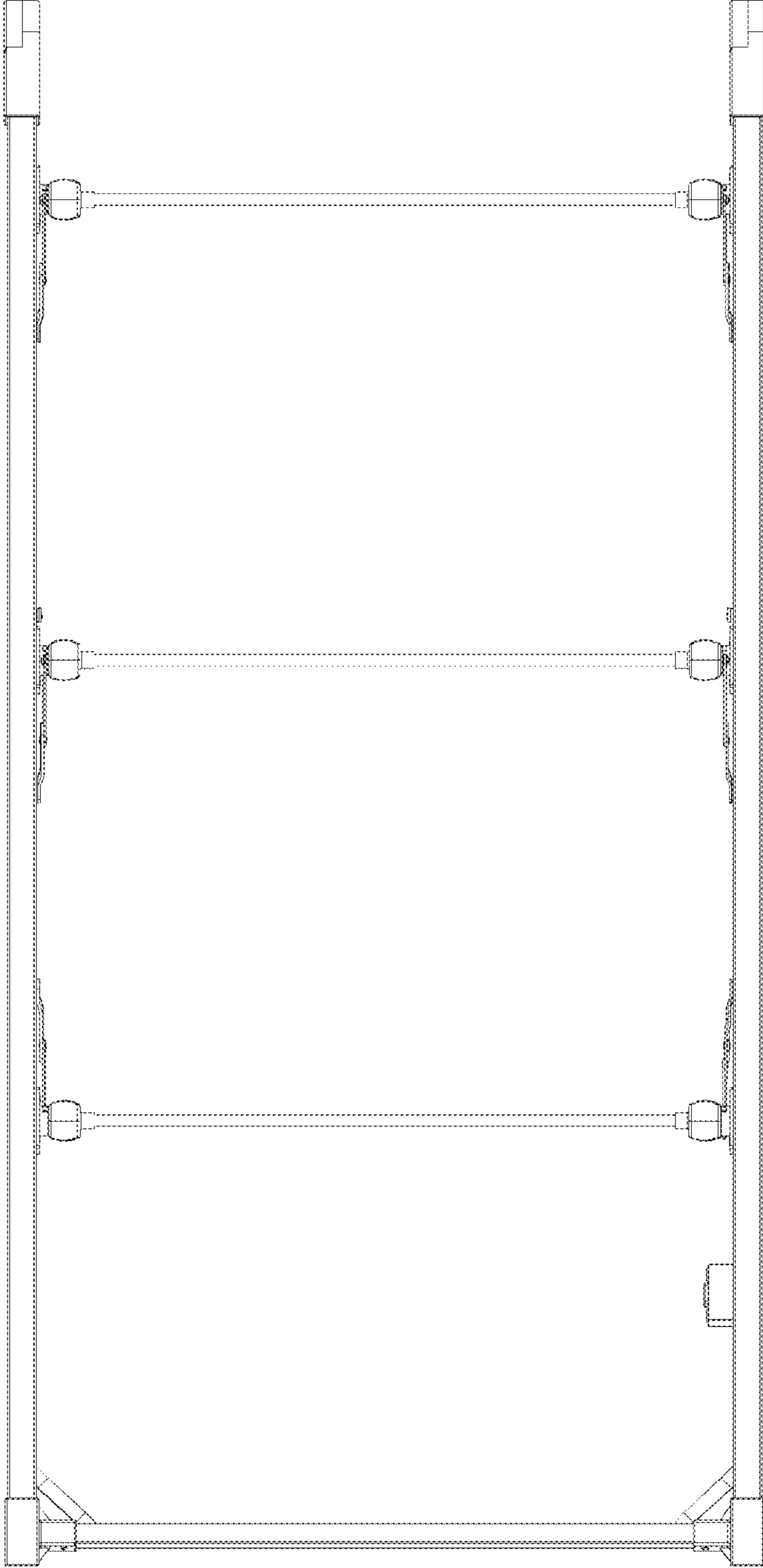


FIG. 1

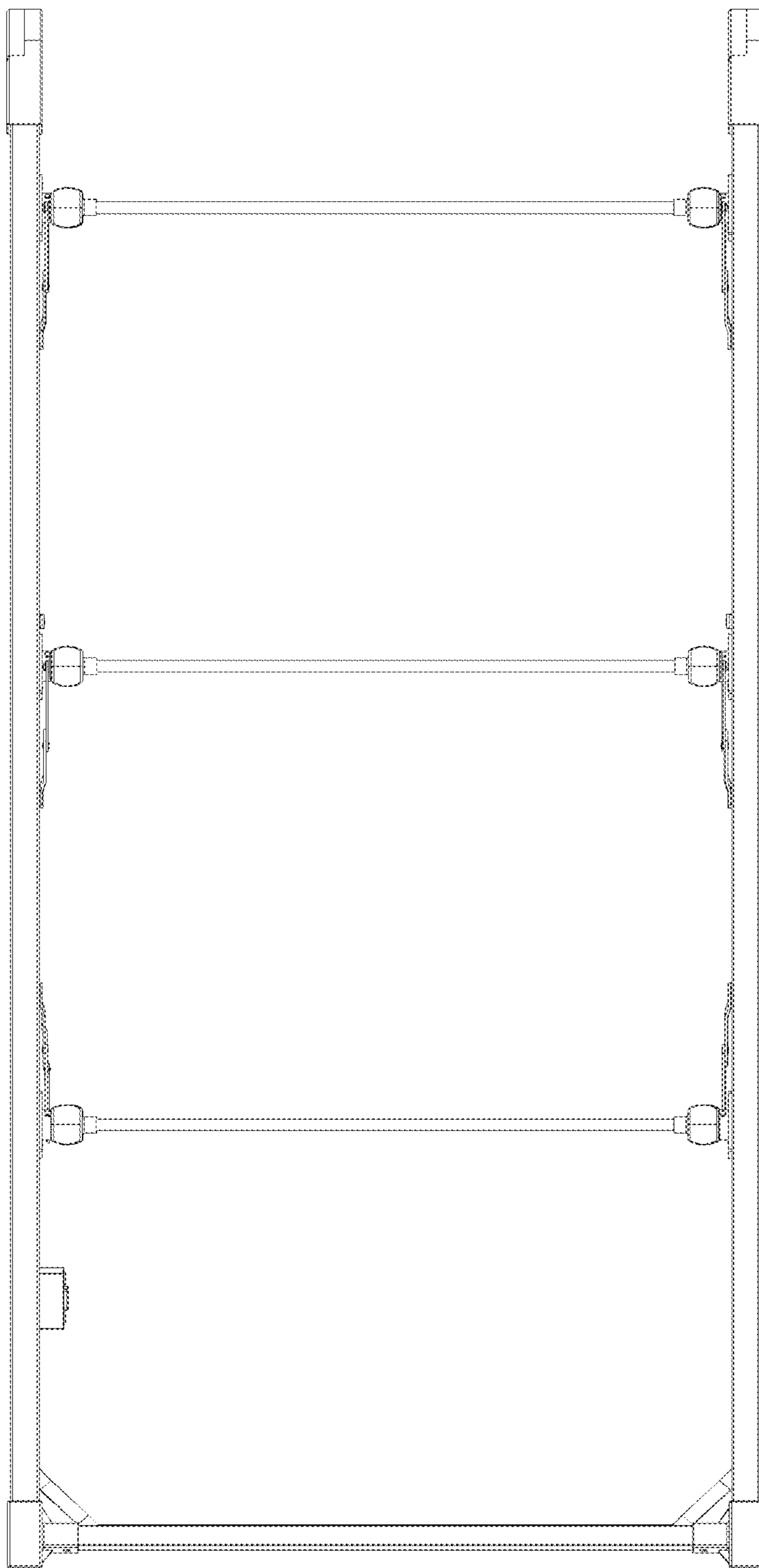


FIG. 2

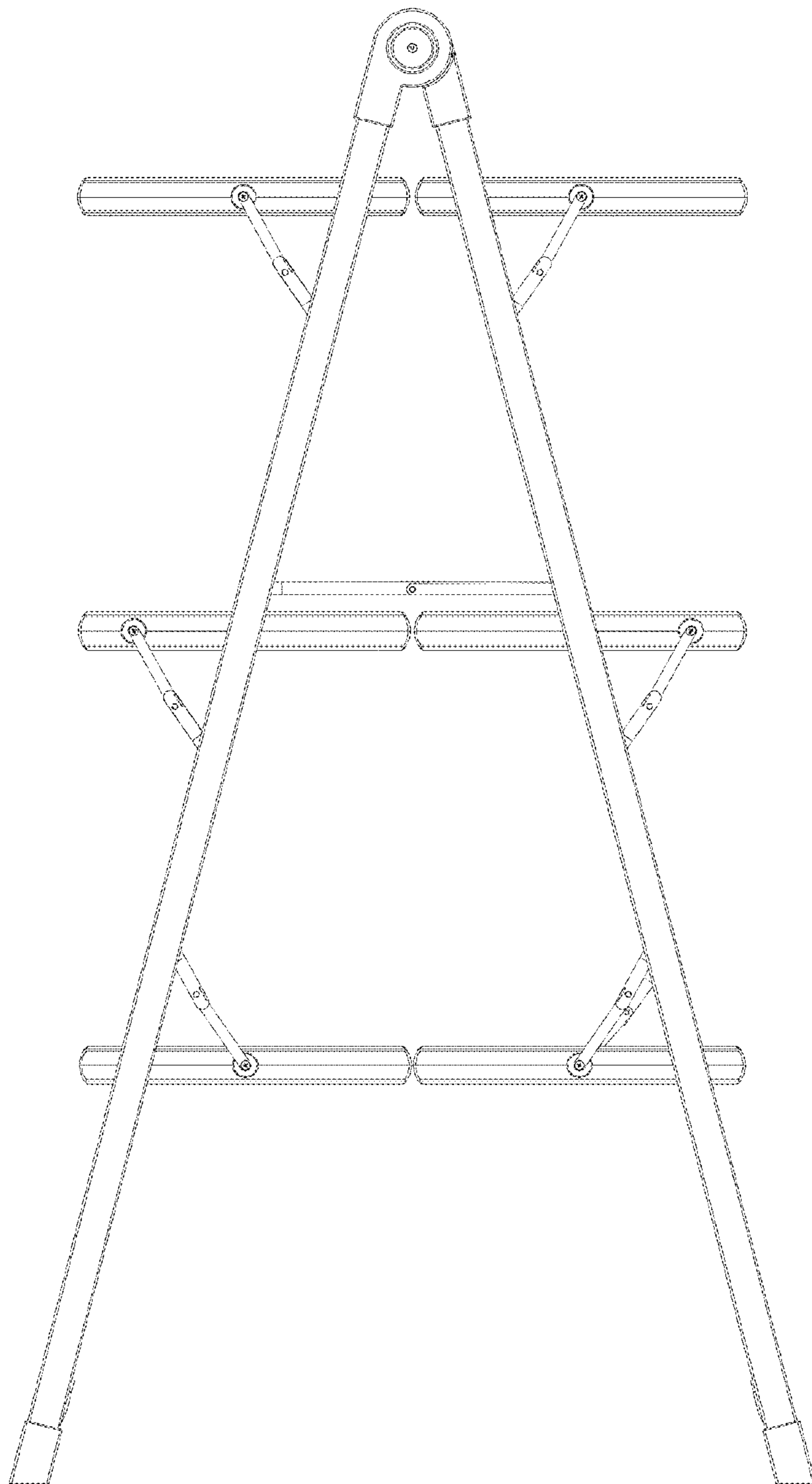


FIG. 3

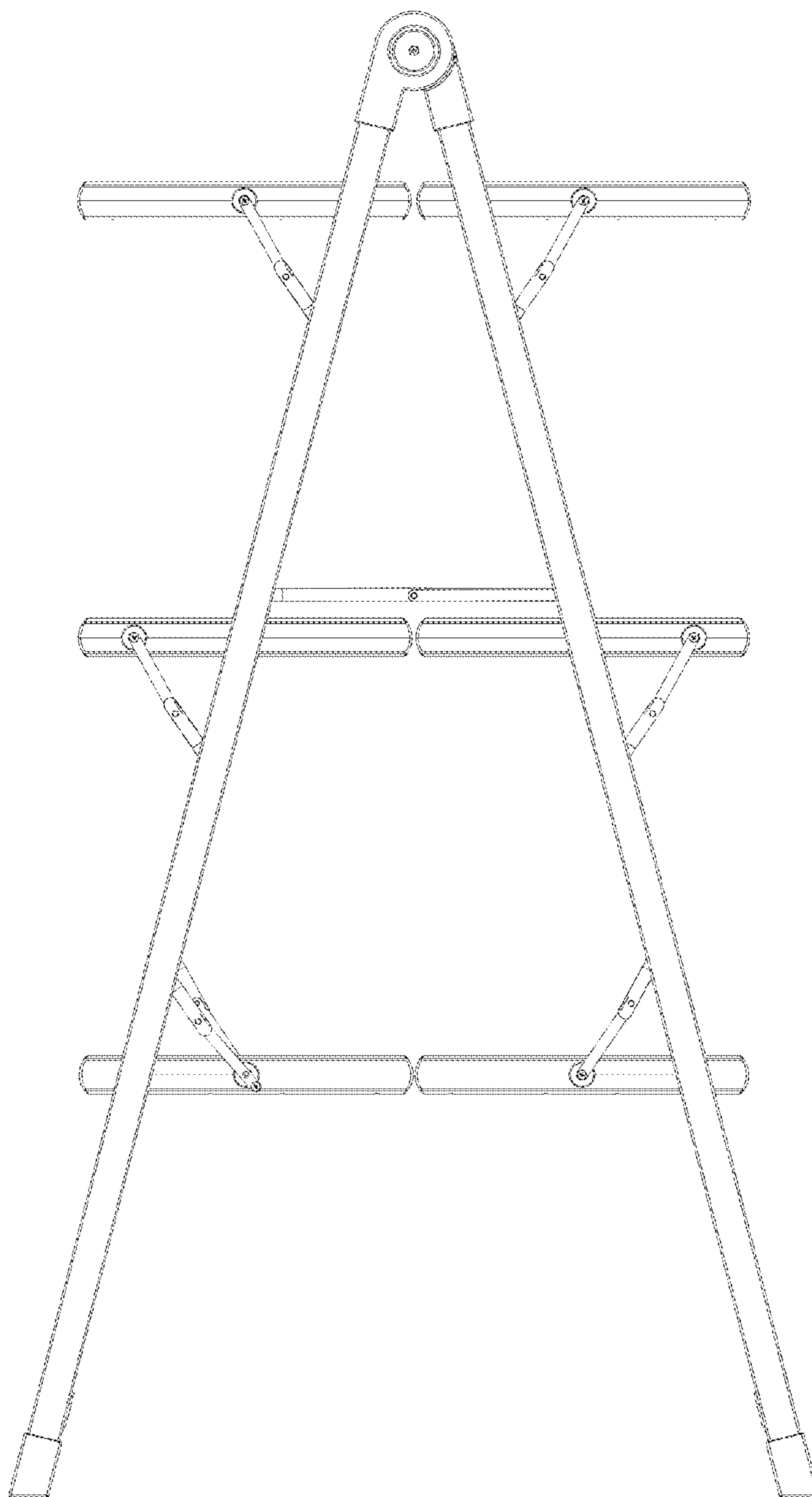


FIG. 4

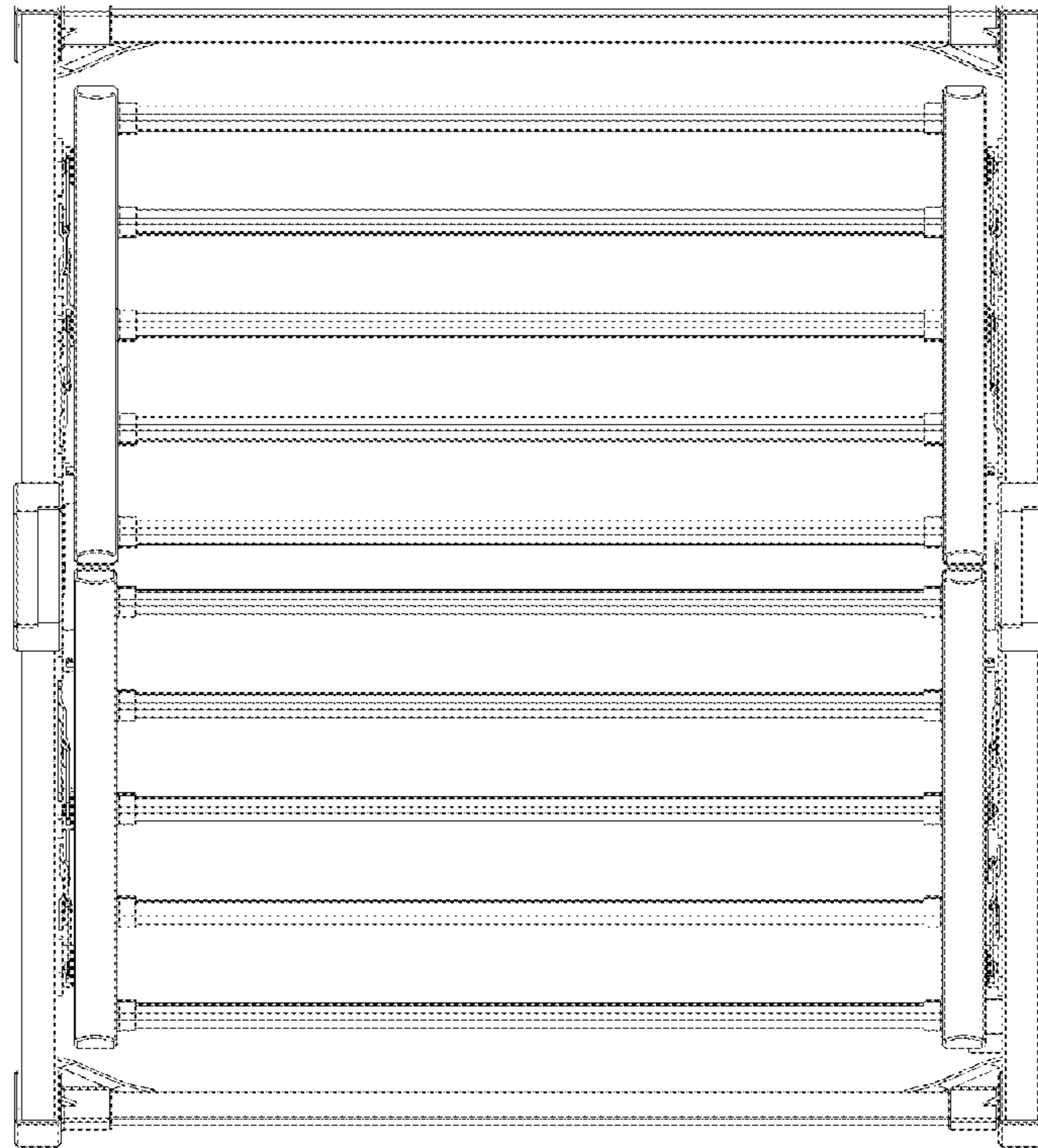


FIG. 5

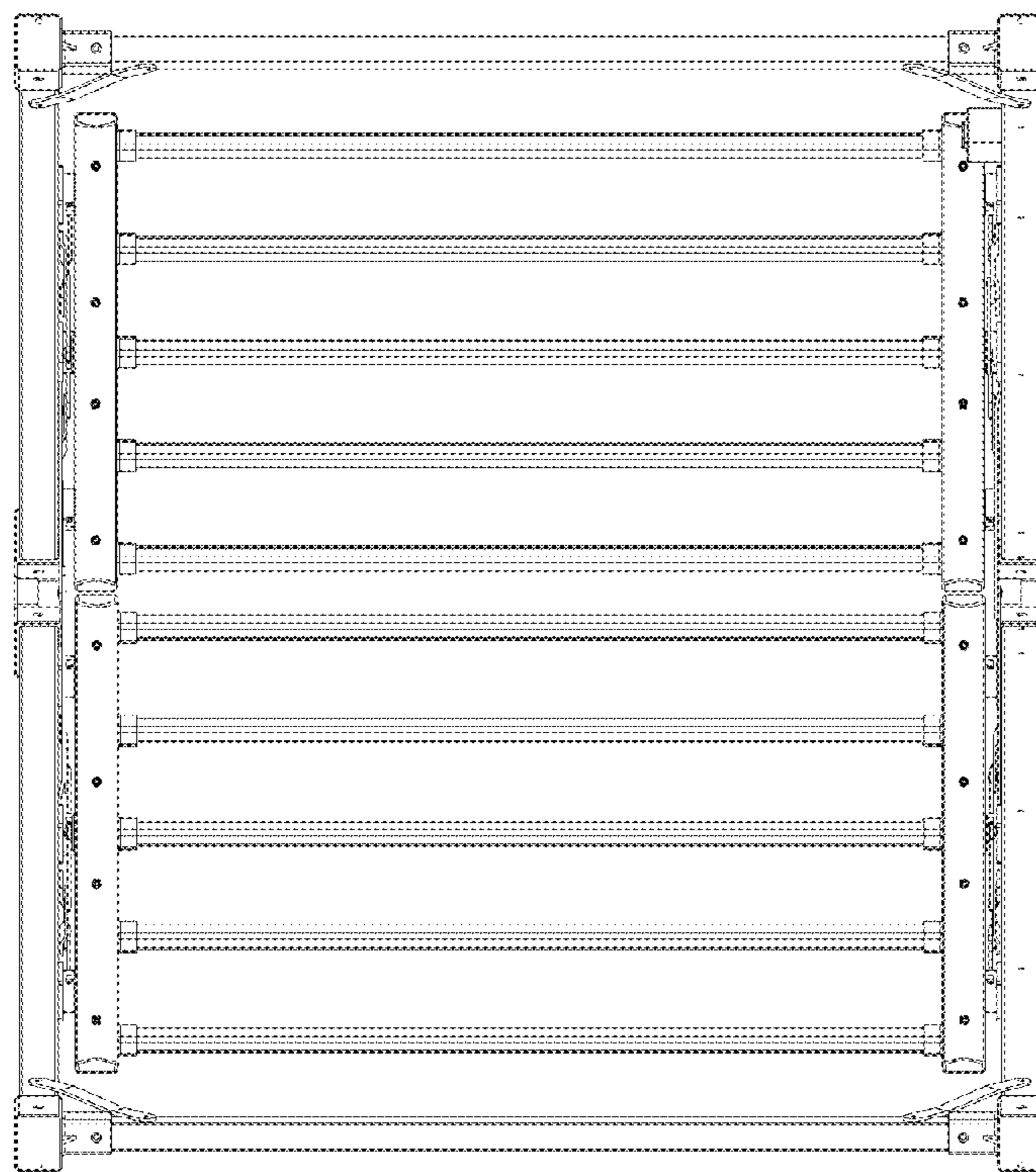


FIG. 6

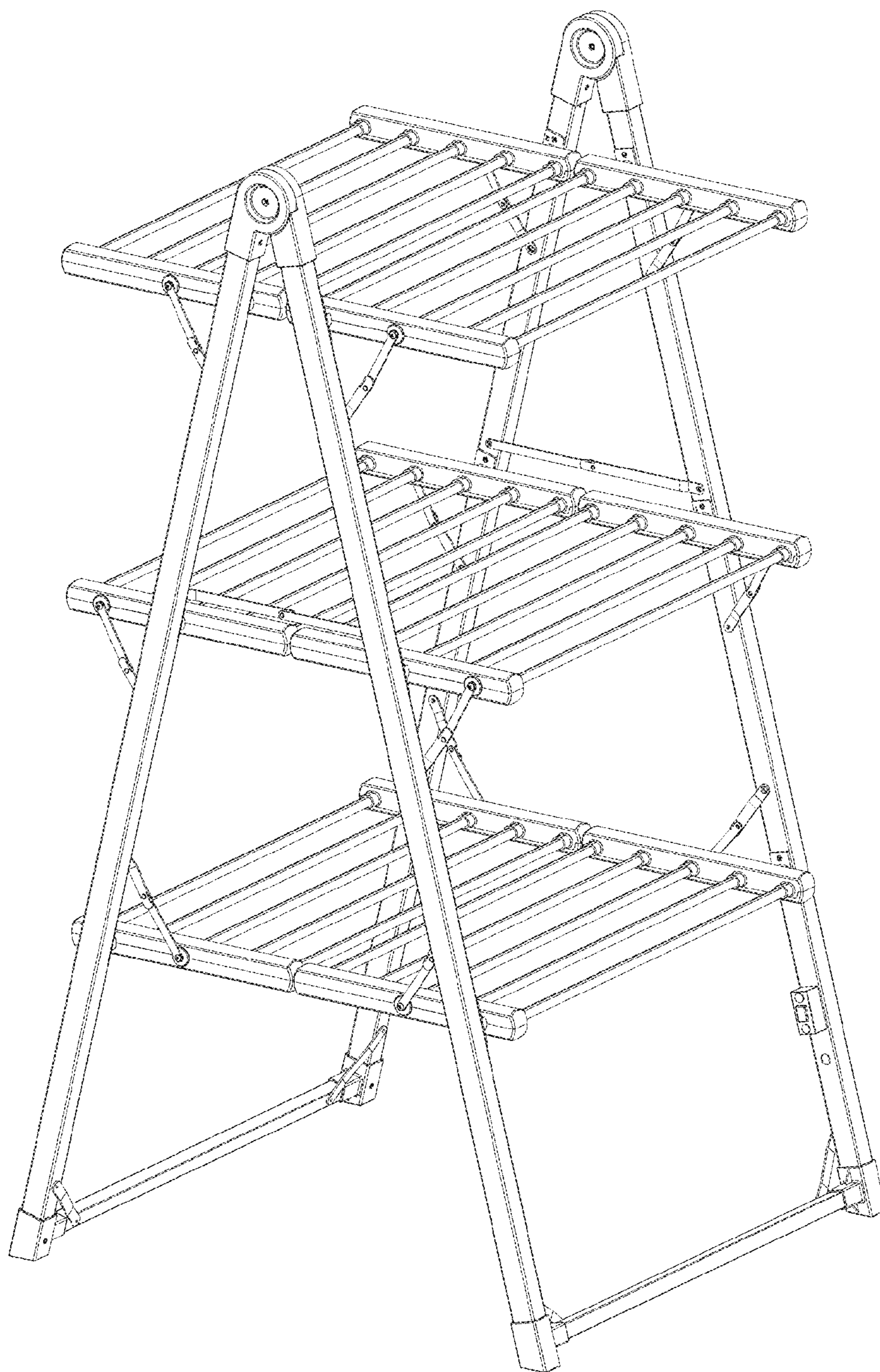


FIG. 7