



US00D720906S

(12) **United States Design Patent**
Baldwin

(10) **Patent No.:** **US D720,906 S**
(45) **Date of Patent:** **** Jan. 6, 2015**

- (54) **CLEANING TOOL**
- (71) Applicant: **3M Innovative Properties Company**,
St. Paul, MN (US)
- (72) Inventor: **Mark W. Baldwin**, Woodbury, MN (US)
- (73) Assignee: **3M Innovative Properties Company**,
St. Paul, MN (US)

D653,827	S	*	2/2012	Lee	D32/50
D654,238	S	*	2/2012	Lee	D32/50
D657,928	S	*	4/2012	Byrne	D32/50
D658,836	S	*	5/2012	Ediger et al.	D32/50
D661,036	S	*	5/2012	Raven	D32/45
D673,748	S	*	1/2013	Snyder et al.	D32/50
D701,013	S	*	3/2014	Libman et al.	D32/50
2005/0254882	A1	*	11/2005	Hofte et al.	401/140
2006/0070196	A1	*	4/2006	Lacotta et al.	15/118
2006/0204316	A1	*	9/2006	Sacks	401/139

(**) Term: **14 Years**

(21) Appl. No.: **29/495,010**

(22) Filed: **Jun. 26, 2014**

(51) **LOC (10) Cl.** **04-01**

(52) **U.S. Cl.**
USPC **D32/50; D32/51**

(58) **Field of Classification Search**
USPC D32/40-45, 50-52; 15/118, 244.1,
15/244.2, 244.3, 244.4, 116.1, 116.2,
15/119.1, 119.2, 104.9, 228, 229.2, 229.4;
401/135-140

See application file for complete search history.

(56) **References Cited**

U.S. PATENT DOCUMENTS

D402,776	S	*	12/1998	Carlson	D32/50
5,915,437	A	*	6/1999	Petner	15/228
D506,050	S	*	6/2005	Lalanne et al.	D32/45
D563,068	S	*	2/2008	Jiang et al.	D32/50
D585,612	S	*	1/2009	Soller et al.	D32/50
D585,615	S	*	1/2009	Enyuva	D32/50
D644,386	S	*	8/2011	Tawara et al.	D32/51
D653,826	S	*	2/2012	Lee	D32/50

* cited by examiner

Primary Examiner — John Windmuller

(74) *Attorney, Agent, or Firm* — Irina Hass

(57) **CLAIM**

The ornamental design for a cleaning tool, as shown and described.

DESCRIPTION

FIG. 1 is a perspective view showing the new design for a cleaning tool;

FIG. 2 is a front view thereof, a rear view being a mirror image thereof;

FIG. 3 is a side view thereof;

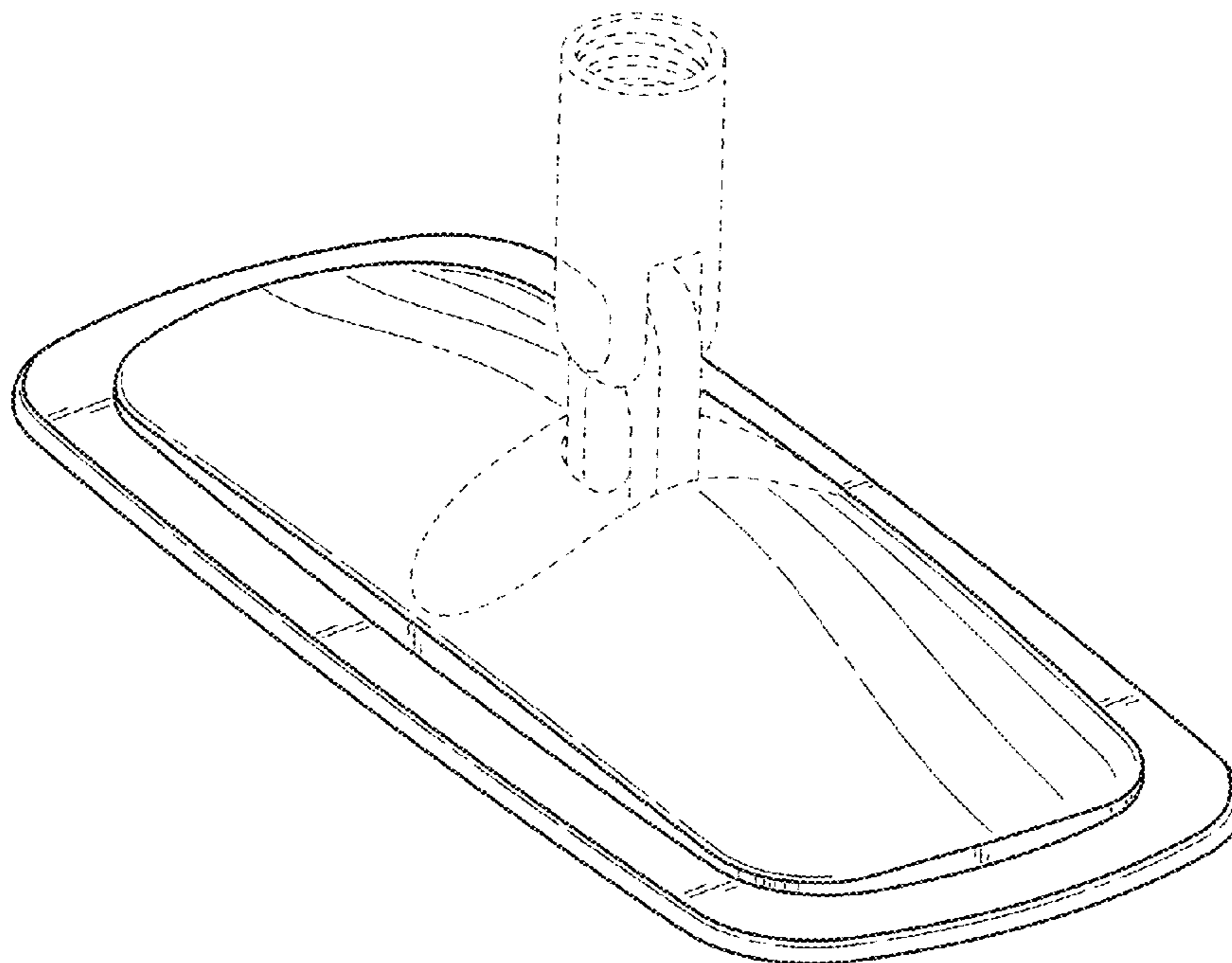
FIG. 4 is a top view thereof;

FIG. 5 is a bottom view thereof; and,

FIG. 6 is a perspective view thereof showing the cleaning tool with a handle.

The portions of the cleaning tool in FIGS. 1-6 shown in broken lines are included to show features that form no part of the claimed design.

1 Claim, 4 Drawing Sheets



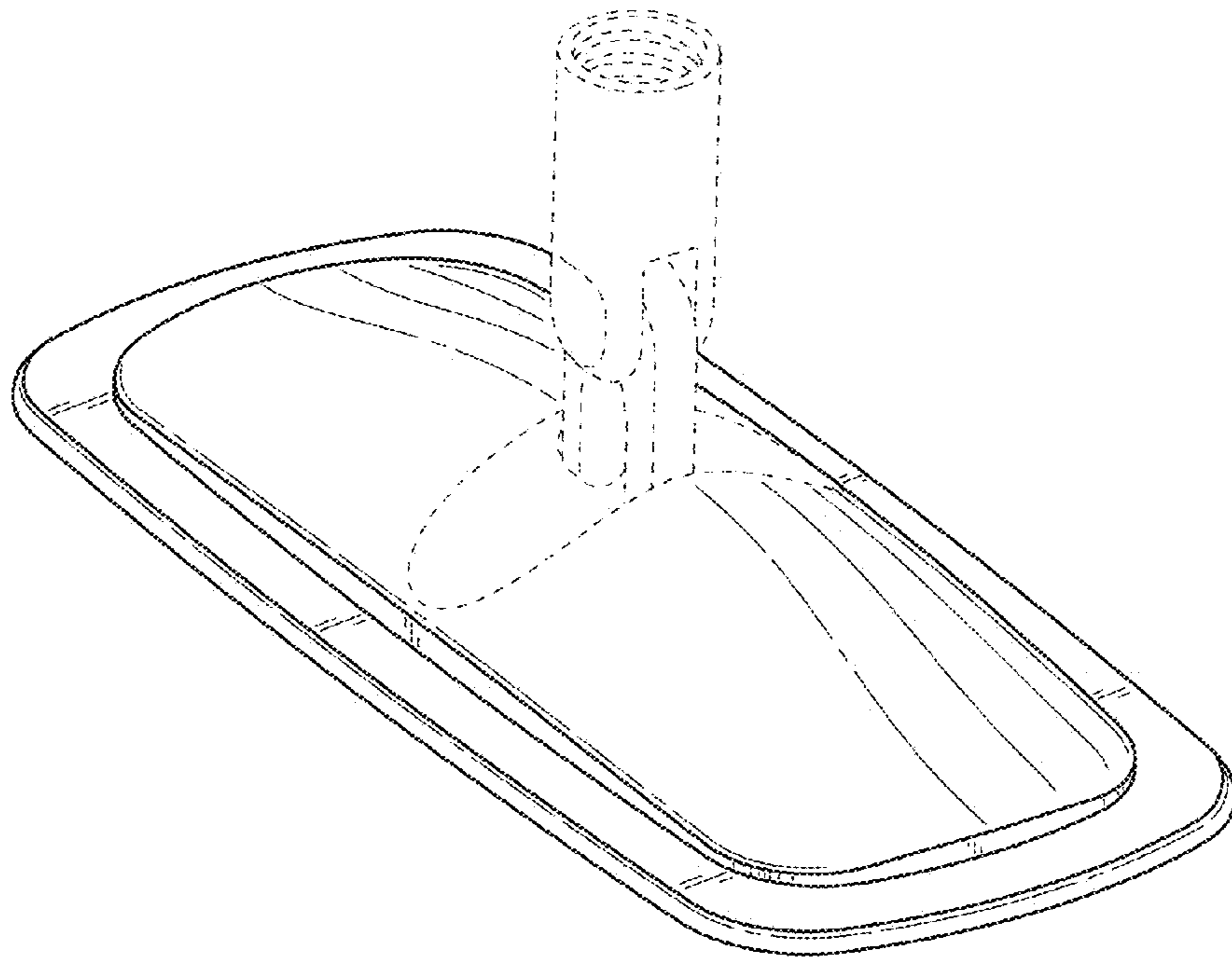


Fig. 1

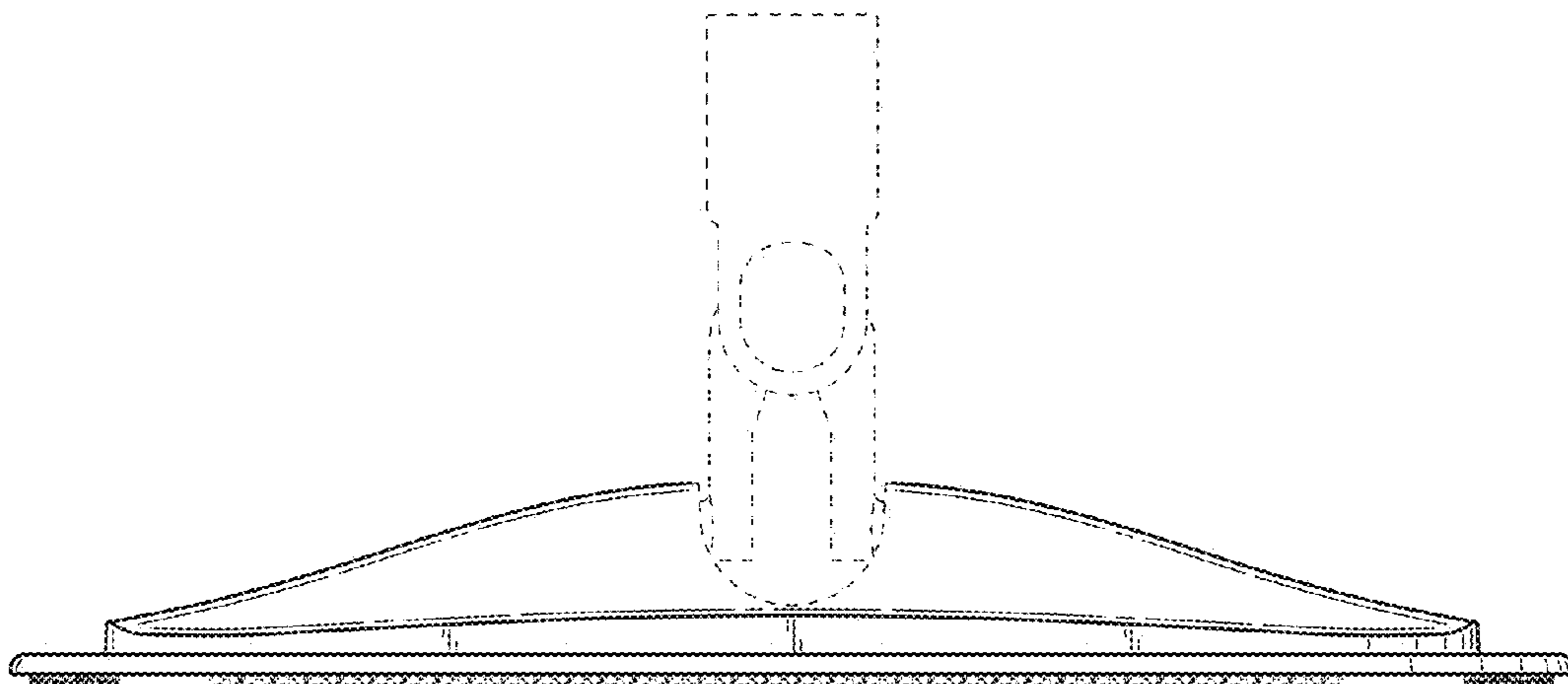


Fig. 2

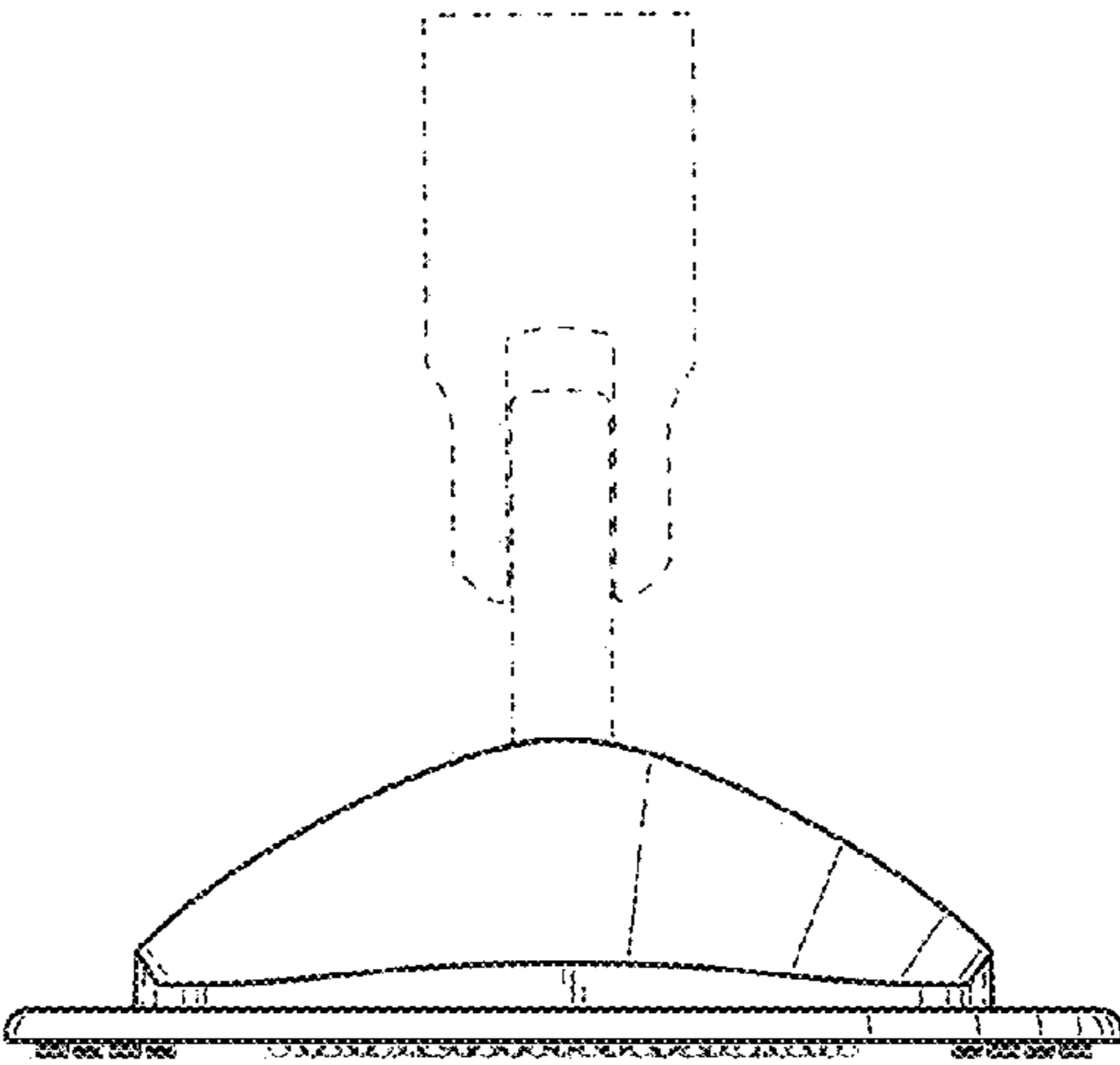


Fig. 3

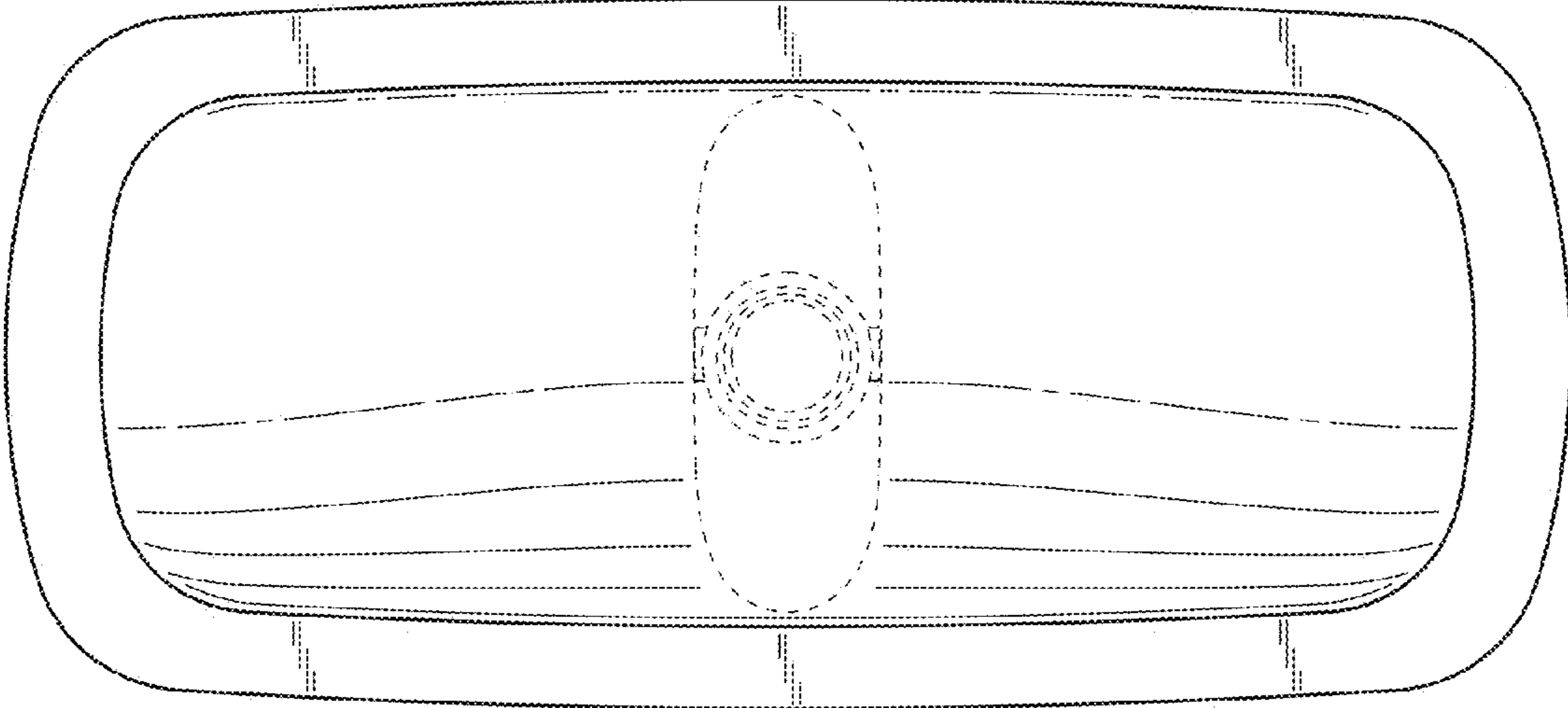


Fig. 4

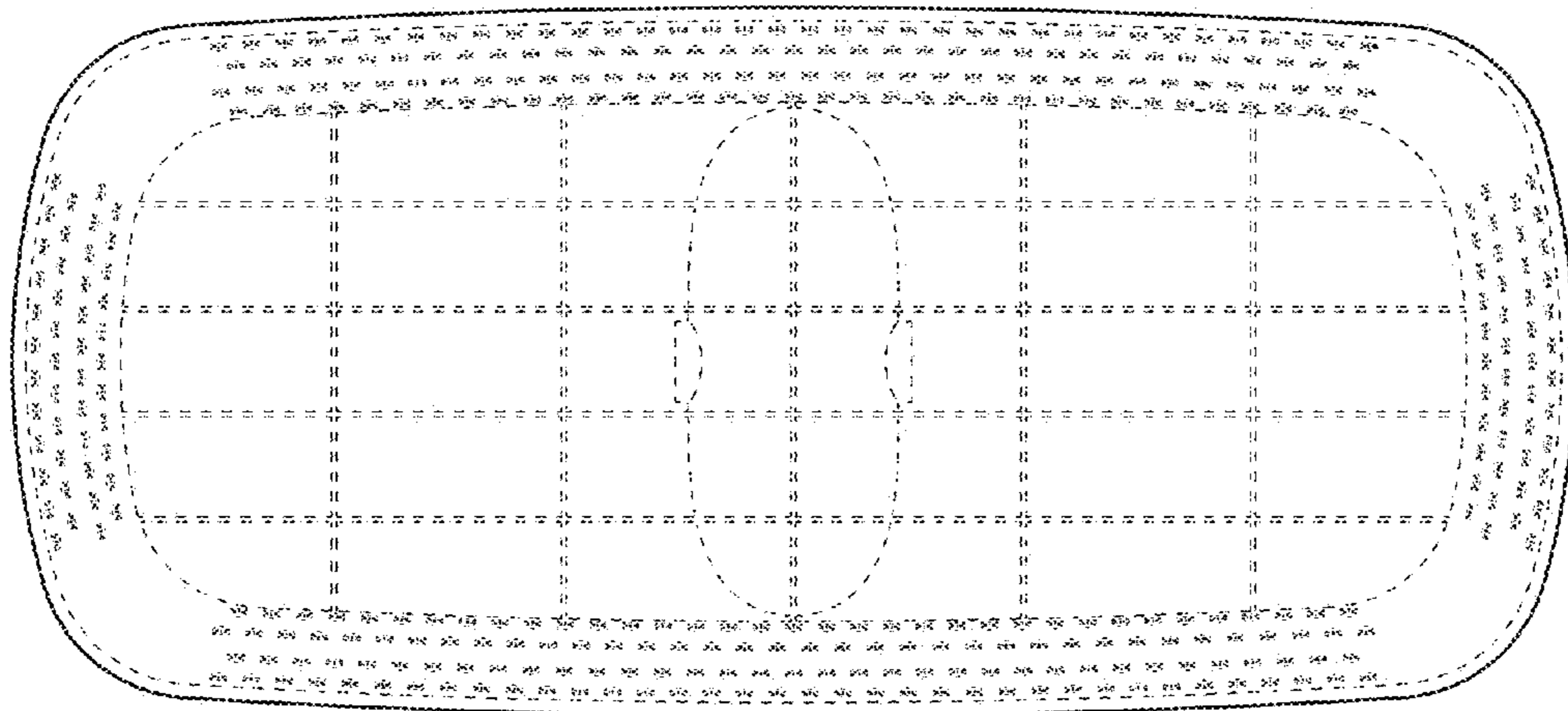


Fig. 5

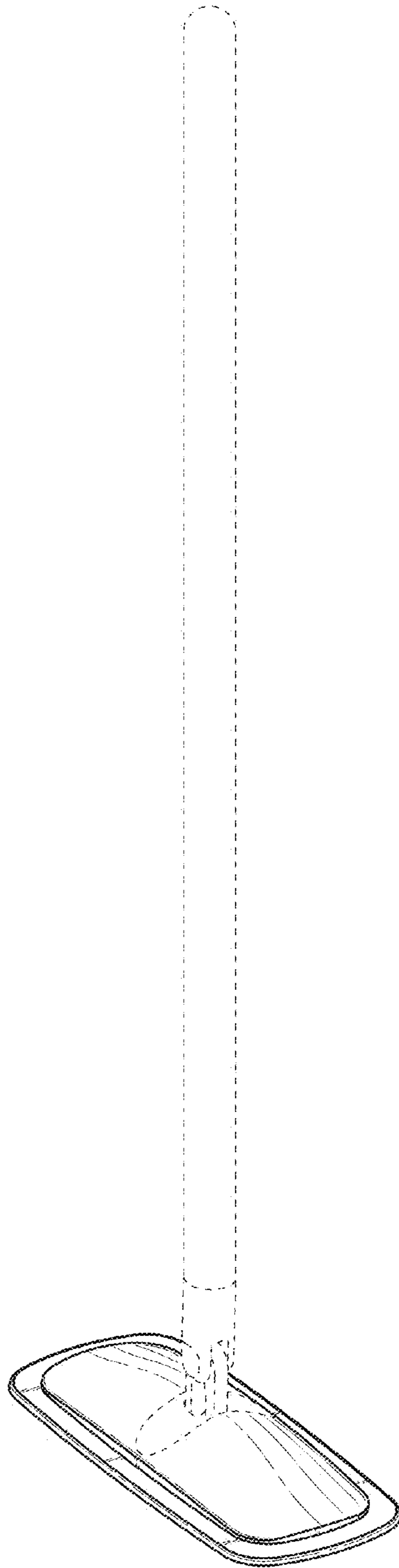


Fig. 6