



US00D720905S

(12) **United States Design Patent**
Lentine

(10) **Patent No.:** **US D720,905 S**
(45) **Date of Patent:** **** Jan. 6, 2015**

(54) **BASE FOR A CLEANING APPARATUS**

(71) Applicant: **Telebrands Corp.**, Fairfield, NJ (US)

(72) Inventor: **Lou Lentine**, Chattanooga, TN (US)

(73) Assignee: **Telebrands Corp.**, Fairfield, NJ (US)

(**) Term: **14 Years**

(21) Appl. No.: **29/489,510**

(22) Filed: **Apr. 30, 2014**

(51) **LOC (10) Cl.** **04-01**

(52) **U.S. Cl.**
USPC **D32/50; D32/51**

(58) **Field of Classification Search**
USPC D32/40-45, 50-52; 15/118, 244.1,
15/244.2, 244.3, 244.4, 116.1, 116.2,
15/119.1, 119.2, 104.9, 228, 229.2, 229.4;
401/135-140
See application file for complete search history.

(56) **References Cited**

U.S. PATENT DOCUMENTS

D170,438 S	9/1953	Ziskind	
D179,540 S *	1/1957	Knechtsberger D14/227
5,896,613 A	4/1999	Courtney et al.	
5,987,685 A	11/1999	Lambert	
6,006,392 A	12/1999	Seculov et al.	
6,625,838 B2	9/2003	Laux et al.	
6,675,427 B1	1/2004	Chiapelli et al.	
6,732,396 B2	5/2004	Laux et al.	
D491,926 S *	6/2004	Tai et al. D14/230
D519,992 S *	5/2006	McAnally D14/238
7,152,267 B2	12/2006	Kaleta	
D545,517 S	6/2007	Erken	
D557,260 S *	12/2007	Westerling et al. D14/230
7,340,795 B2	3/2008	Kaleta	
7,540,057 B2	6/2009	Lin et al.	
D610,577 S *	2/2010	Jenkins D14/238
7,743,528 B2	6/2010	Lin	

8,108,961 B2	2/2012	Lin et al.	
8,112,840 B2	2/2012	Chen et al.	
8,132,287 B2	3/2012	Ting	
8,220,101 B2	7/2012	Chen	
8,291,538 B2	10/2012	Yang et al.	
8,291,544 B2	10/2012	Chen et al.	
8,316,502 B2	11/2012	Shao	
8,336,159 B2	12/2012	Chen et al.	
8,336,160 B2	12/2012	Chen	
8,347,451 B2	1/2013	Chen	
8,347,519 B2	1/2013	Chen	
8,365,341 B2	2/2013	Lin	
D683,509 S *	5/2013	Tseng D32/50
D685,710 S *	7/2013	Hanaoka D12/209
8,522,387 B2	9/2013	Chen	

(Continued)

FOREIGN PATENT DOCUMENTS

EP	2255714	12/2012
EP	2255712	10/2013

Primary Examiner — John Windmuller

(74) *Attorney, Agent, or Firm* — Cooper & Dunham LLP

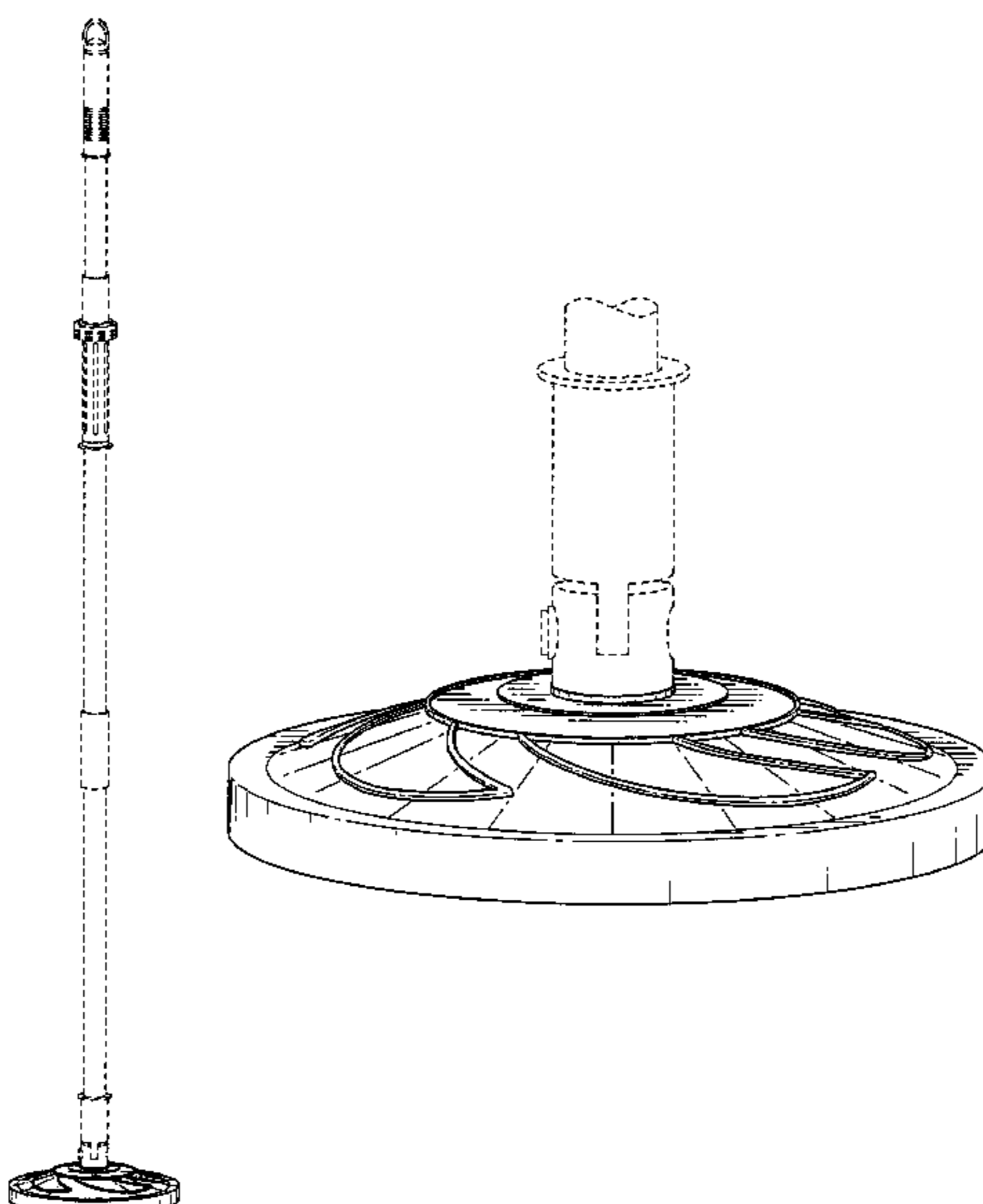
(57) **CLAIM**

The ornamental design for a base for a cleaning apparatus, as shown and described.

DESCRIPTION

FIG. 1 is a front perspective view of a base for a cleaning apparatus in accordance with the present design; FIG. 2 is a front perspective view thereof; FIG. 3 is a front view thereof; FIG. 4 is a right side view thereof; FIG. 5 is a left side view thereof; FIG. 6 is a top view thereof; and, FIG. 7 is a bottom view thereof. The broken lines in the figures represents environment and portions of the base that form no part of the claimed design. The shading represents contour of the claimed design.

1 Claim, 6 Drawing Sheets



US D720,905 S

Page 2

(56)

References Cited

U.S. PATENT DOCUMENTS

8,544,133	B2	10/2013	Fischer et al.	2009/0102723	A1*	4/2009	Mateychuk et al. ...	343/700	MS
8,819,890	B2	9/2014	Lin	2010/0180460	A1	7/2010	Tang		
2004/0175013	A1*	9/2004	Gleissner	2011/0239389	A1	10/2011	Ting		
				2012/0090122	A1	4/2012	Lin		
				2012/0233794	A1	9/2012	Yu		

* cited by examiner

FIG. 1

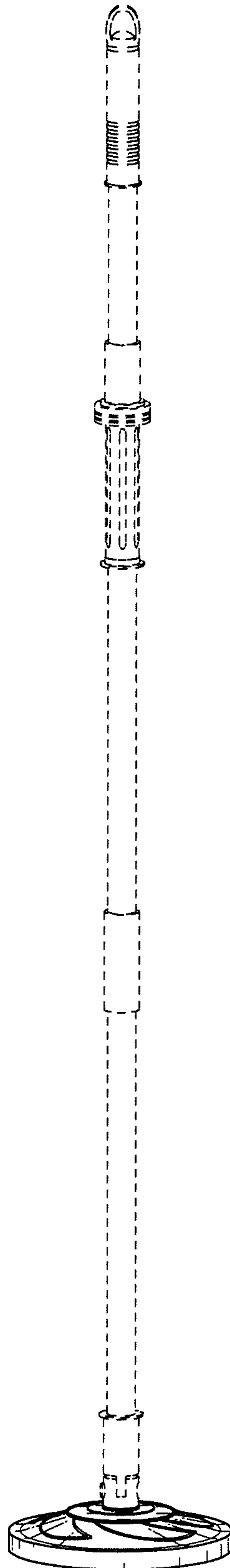


FIG. 3

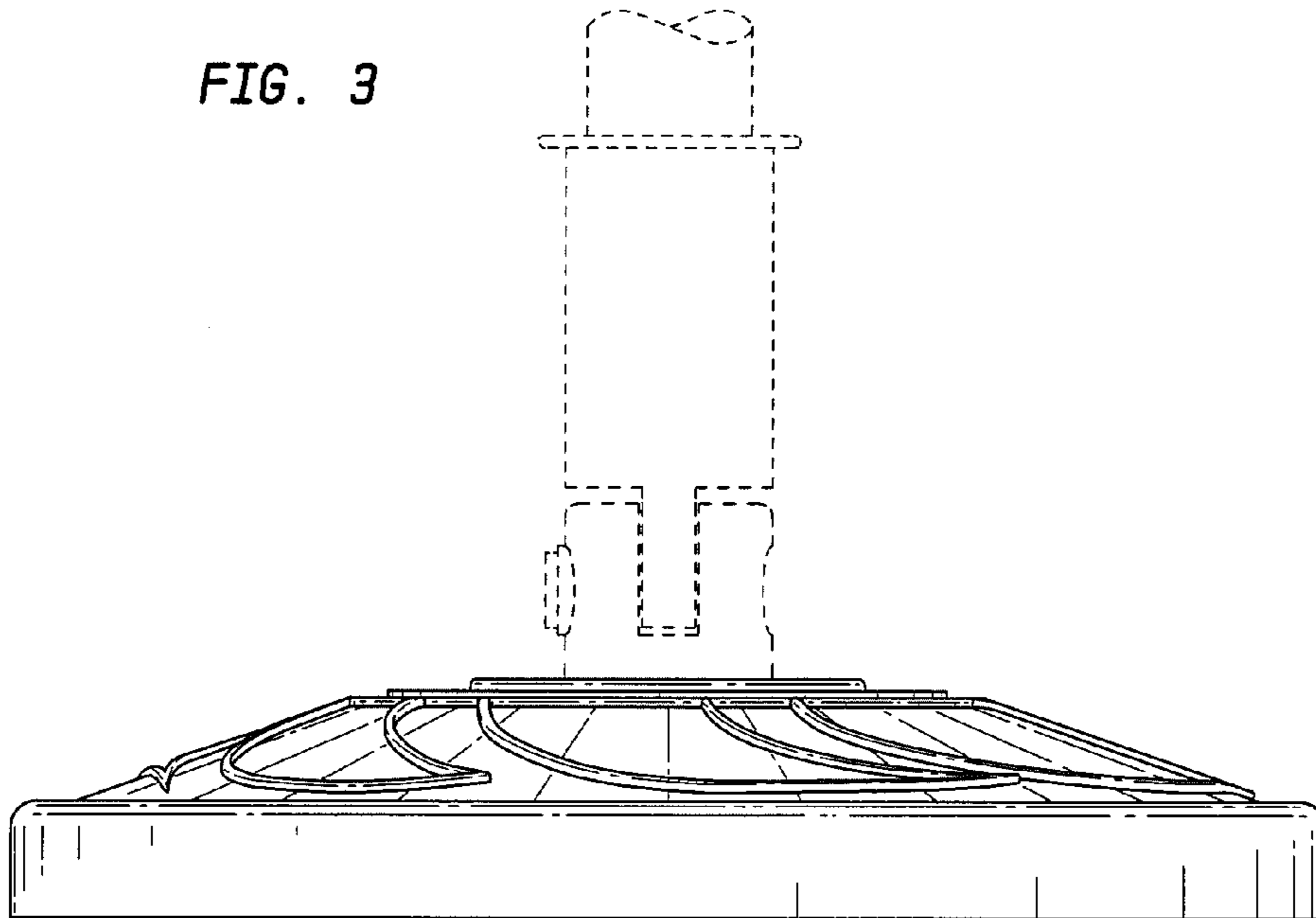


FIG. 4

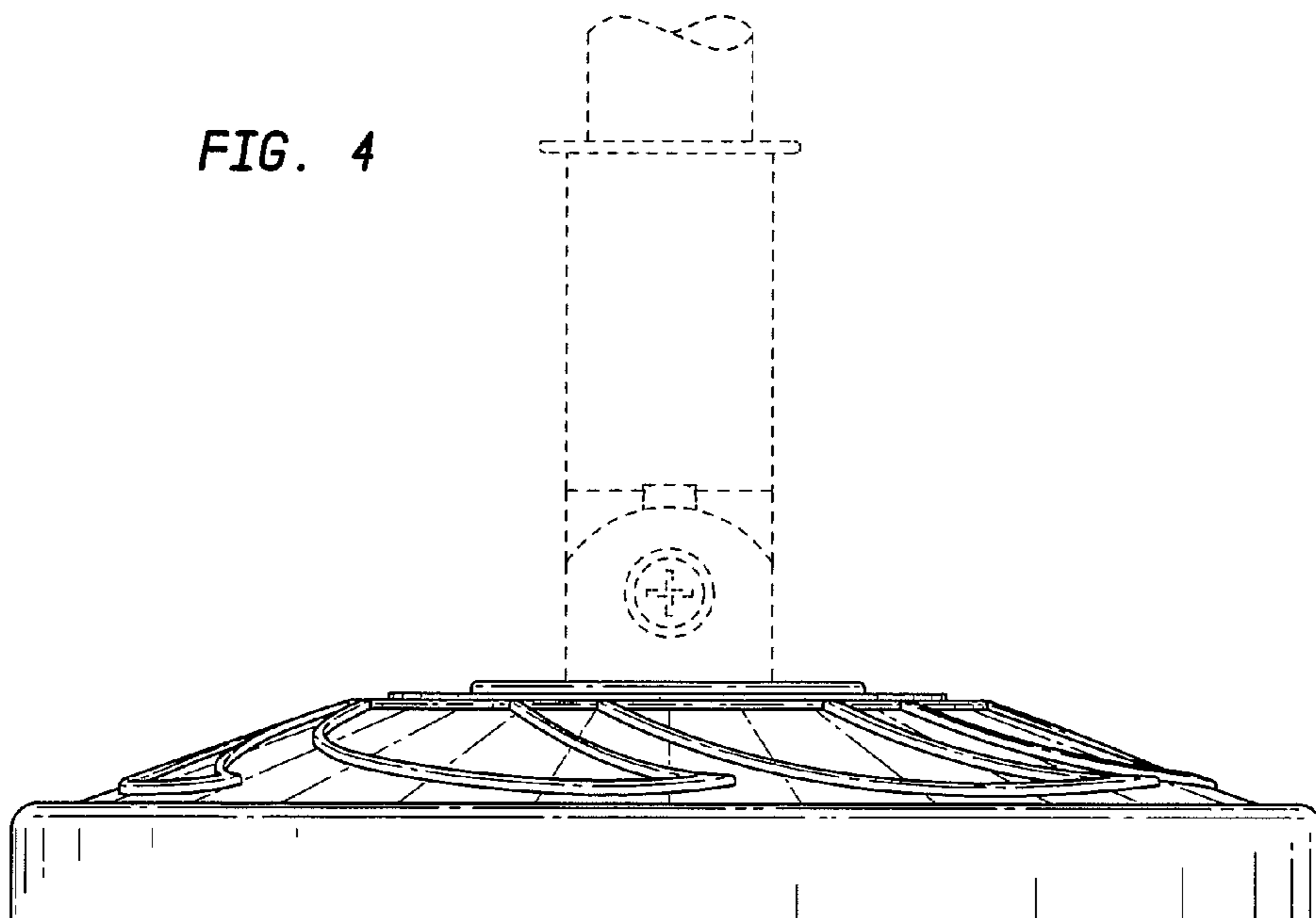


FIG. 5

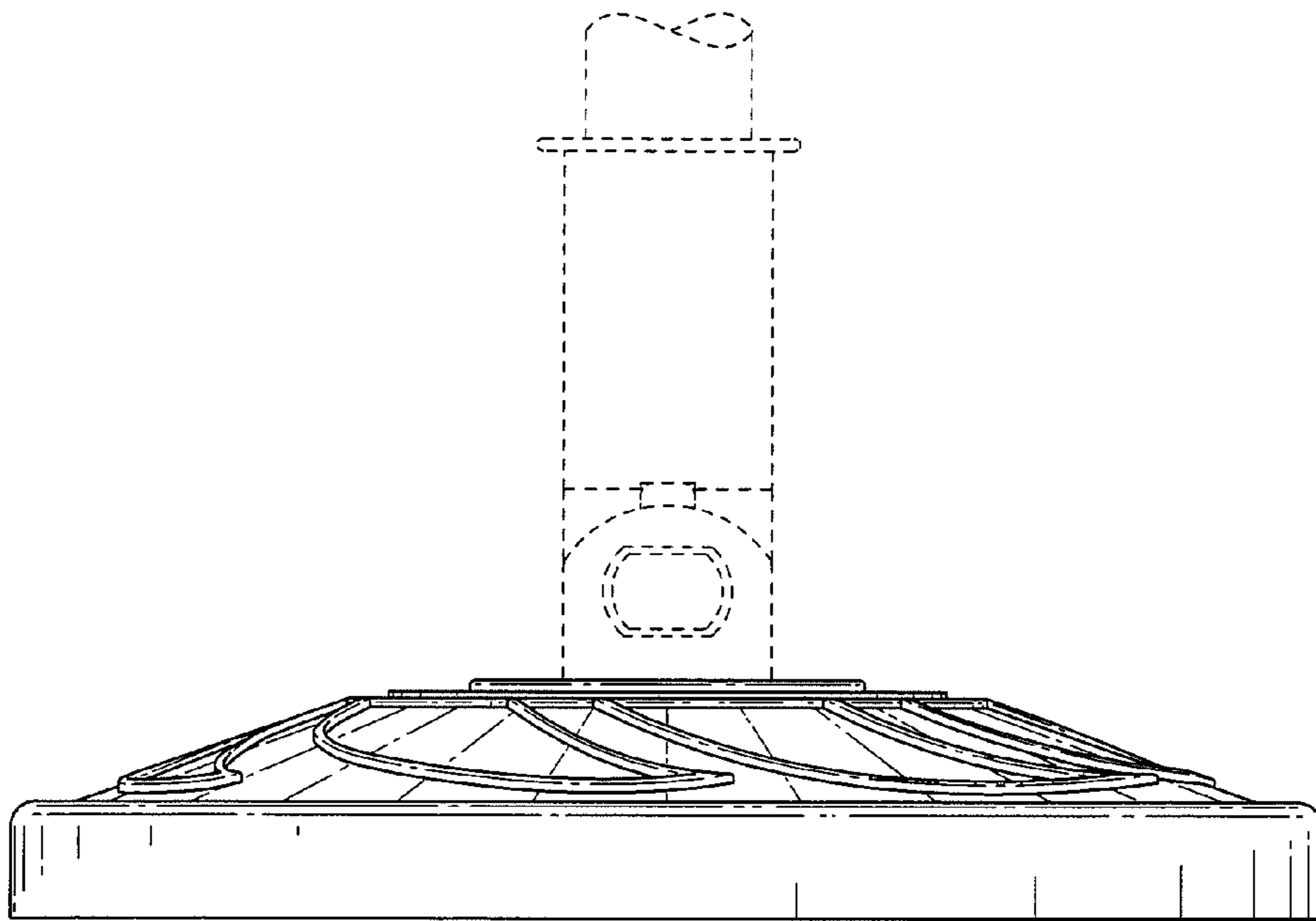


FIG. 6

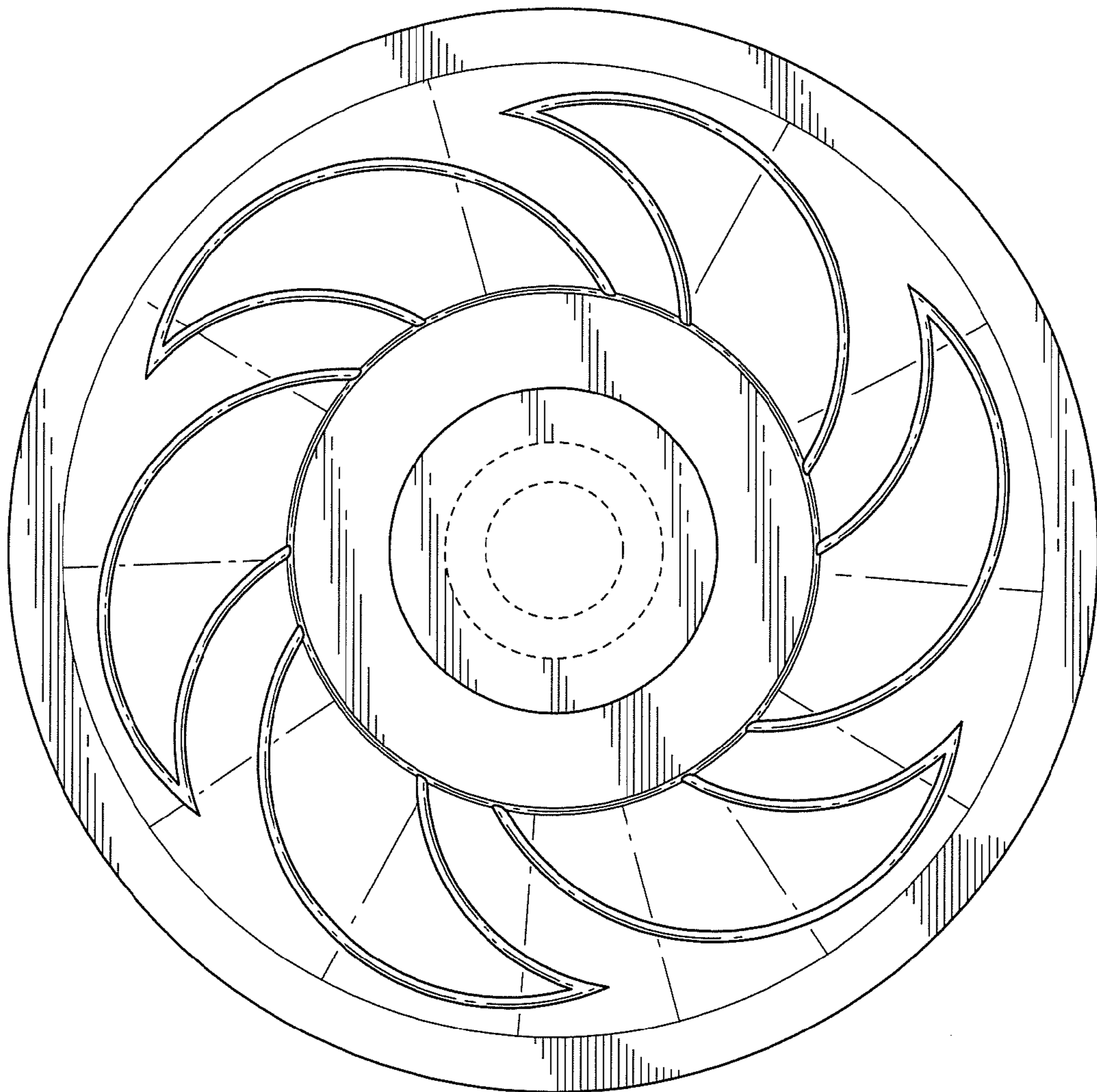


FIG. 7

