



US00D720903S

(12) **United States Design Patent**
Colangelo

(10) **Patent No.:** **US D720,903 S**

(45) **Date of Patent:** **** Jan. 6, 2015**

(54) **DUSTER HANDLE**

(71) Applicant: **Joseph M Colangelo**, Boca Raton, FL (US)

(72) Inventor: **Joseph M Colangelo**, Boca Raton, FL (US)

(73) Assignee: **EZ Products of South Florida, L.L.C.**, Boca Raton, FL (US)

(**) Term: **14 Years**

(21) Appl. No.: **29/462,843**

(22) Filed: **Aug. 8, 2013**

(51) **LOC (10) Cl.** **04-01**

(52) **U.S. Cl.**
USPC **D32/40**

(58) **Field of Classification Search**
USPC D32/40-46; 15/244.1-244.4, 229.7,
15/229.1, 118, 208, 209.1
See application file for complete search history.

(56) **References Cited**

U.S. PATENT DOCUMENTS

5,850,658 A * 12/1998 Specht 15/120.1
6,378,156 B2 * 4/2002 Specht 15/120.2

(Continued)

Primary Examiner — Robin V Webster

(74) *Attorney, Agent, or Firm* — Smith RIsley Tempel Santos LLC; Gregory Scott Smith

(57) **CLAIM**

The ornamental design for a duster handle, as shown and described.

DESCRIPTION

FIG. 1 is a perspective view of the front portion of a duster handle in a retracted state;

FIG. 2 is a perspective view of the rear portion of the duster handle in a retracted state;

FIG. 3 is a perspective view of the front portion of the duster handle illustrated in FIG. 1 and FIG. 2 shown in an extended state;

FIG. 4 is a perspective view of the rear portion of the duster handle illustrated in FIG. 1 and FIG. 2 shown in an extended state;

FIG. 5 is side elevation view of the front portion of the duster handle illustrated in FIG. 1 and FIG. 2;

FIG. 6 is a side elevation view of the rear portion of the duster handle illustrated in FIG. 1 and FIG. 2;

FIG. 7 is a top view of the front portion of the duster handle illustrated in FIG. 1 and FIG. 2;

FIG. 8 is a top view of the rear portion of the duster handle illustrated in FIG. 1 and FIG. 2.

FIG. 9 is a bottom view of the front portion of the duster handle illustrated in FIG. 1 and FIG. 2;

FIG. 10 is a bottom view of the rear portion of the duster handle illustrated in FIG. 1 and FIG. 2;

FIG. 11 is a front elevation view of the duster handle illustrated in FIG. 1 and FIG. 2;

FIG. 12 is a rear elevation view of the duster handle illustrated in FIG. 1 and FIG. 2;

FIG. 13 is a close up elevation view of a push button in a released state for the duster handle illustrated in FIG. 1 and FIG. 2;

FIG. 14 is a close up elevation view of a push button in a depressed state for the duster handle illustrated in FIG. 1 and FIG. 2;

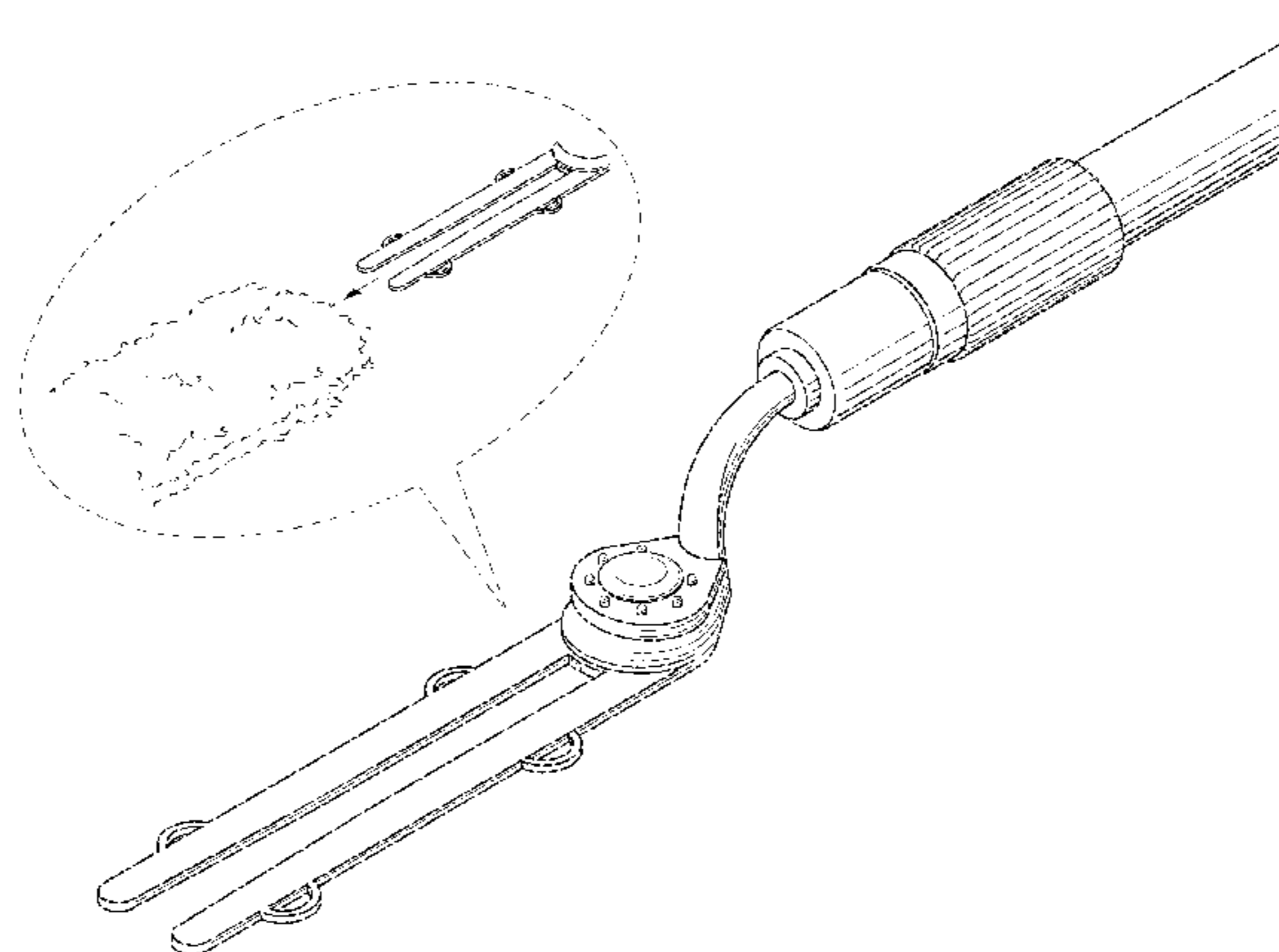
FIG. 15 is a top plan view of the front portion of the duster handle illustrated in FIG. 1 and FIG. 2 in a clockwise rotated state;

FIG. 16 is a top plan view of the front portion of the duster handle illustrated in FIG. 1 and FIG. 2 in a counter clockwise rotated state; and,

FIG. 17 is a side elevation view of the front portion of the duster handle illustrated in FIG. 1 and FIG. 2 fully rotated 180 degrees from the position illustrated in FIG. 1.

The callout illustrated in FIG. 1 is to show the environment for the duster handle and forms no part of the claim. The claimed design is shown fragmented in FIGS. 6, 9, 10, 13 and 14 to indicate non-specified length. The claimed design is shown as broken into sections in figure pairs FIG. 1 and FIG. 2, FIG. 3 and FIG. 4, FIG. 5 and FIG. 6, FIG. 7 and FIG. 9, and FIG. 8 and FIG. 10 for convenience of illustration.

1 Claim, 12 Drawing Sheets



(56)

References Cited

U.S. PATENT DOCUMENTS

6,481,042 B1 * 11/2002 Hsieh 15/229.2
7,478,453 B1 * 1/2009 Busshaus 15/228
D590,114 S * 4/2009 Li D32/40
D603,115 S * 10/2009 McNeil et al. D32/40

D608,965 S * 1/2010 Tanaka et al. D32/40
7,786,030 B2 * 8/2010 Tsuchiya 442/123
8,151,398 B2 * 4/2012 Tsuchiya et al. 15/209.1
8,156,603 B2 * 4/2012 Tsutanaga et al. 15/229.3
D671,287 S * 11/2012 Patterson D32/40

* cited by examiner

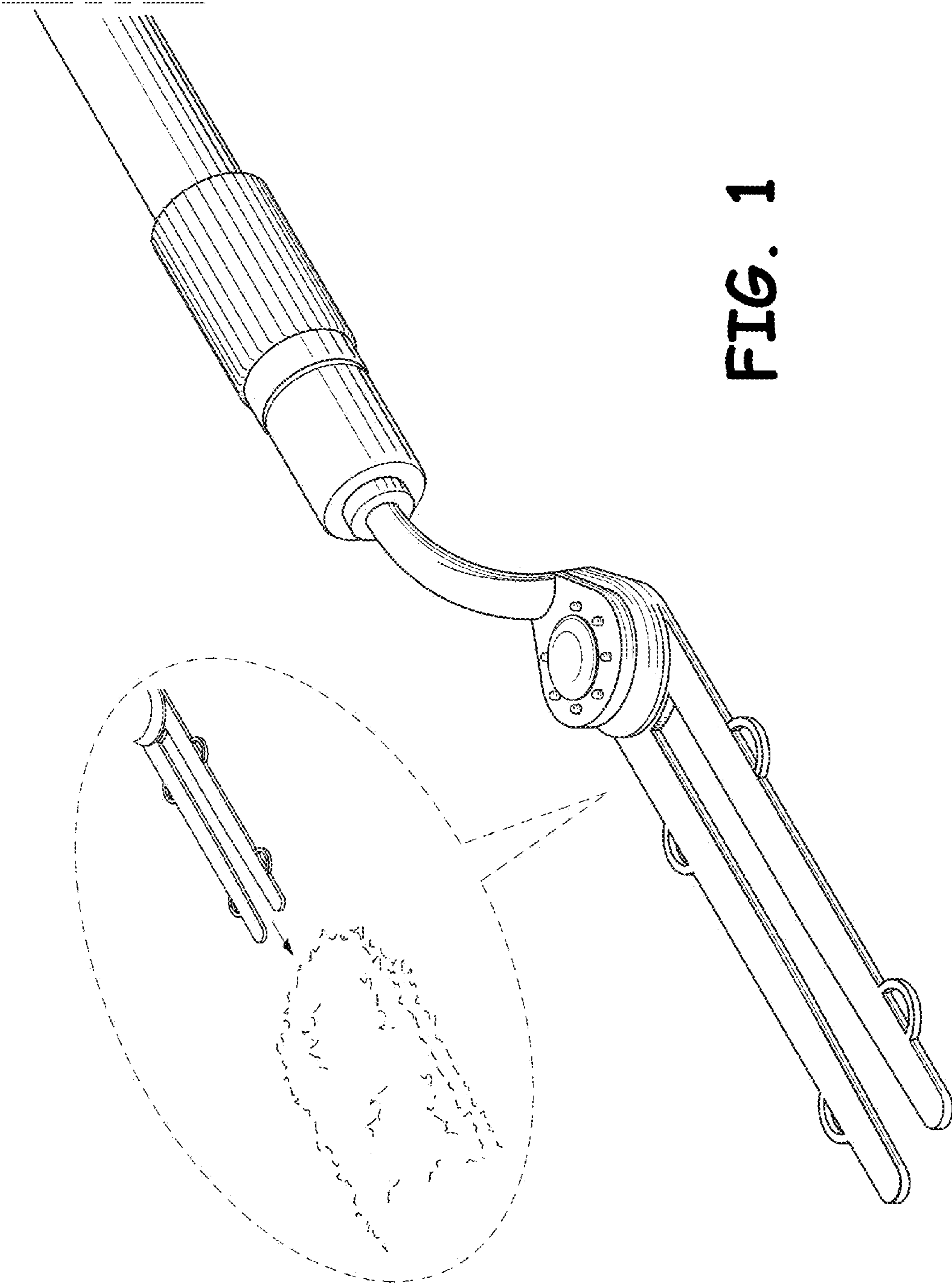


FIG. 1

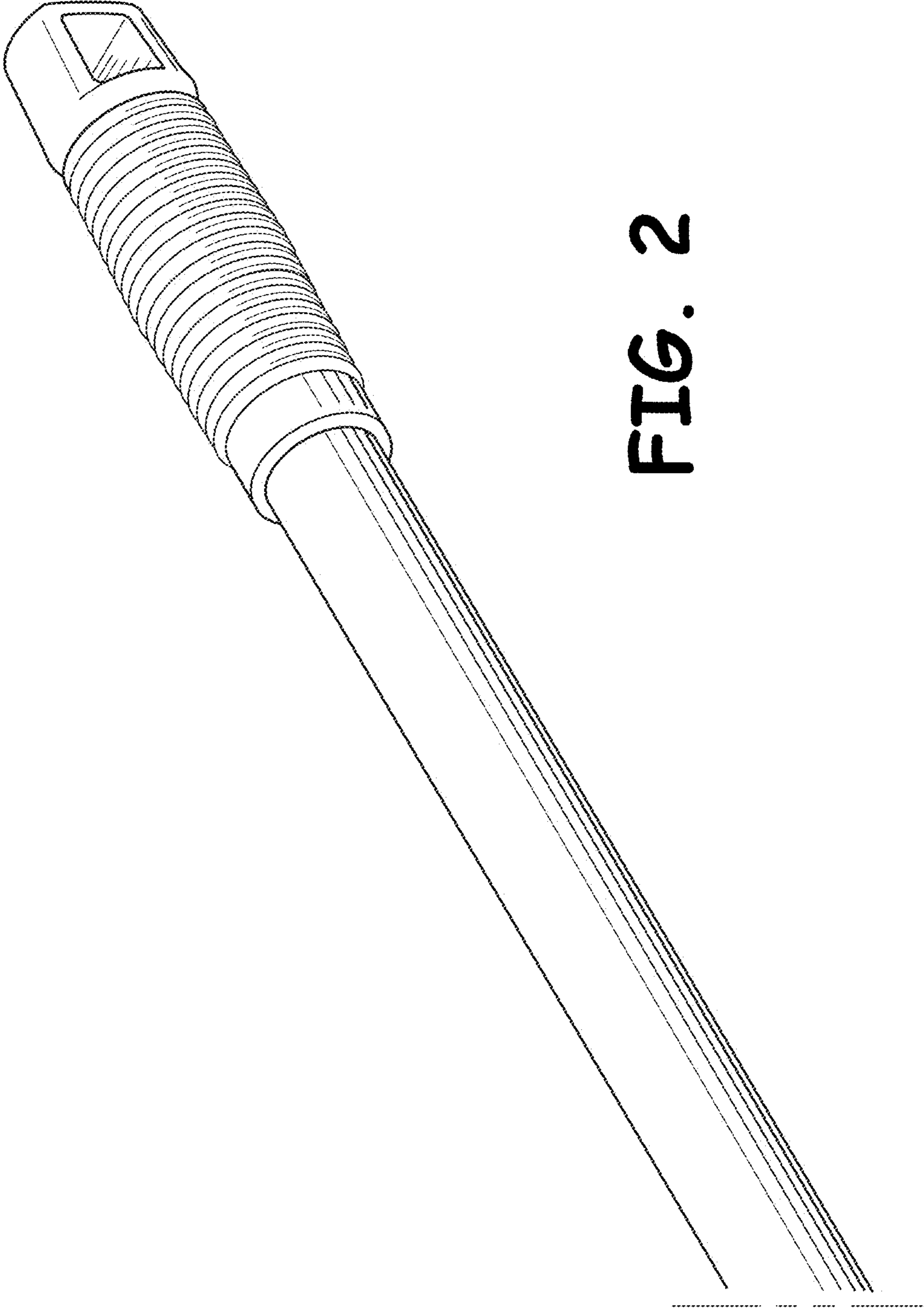


FIG. 2

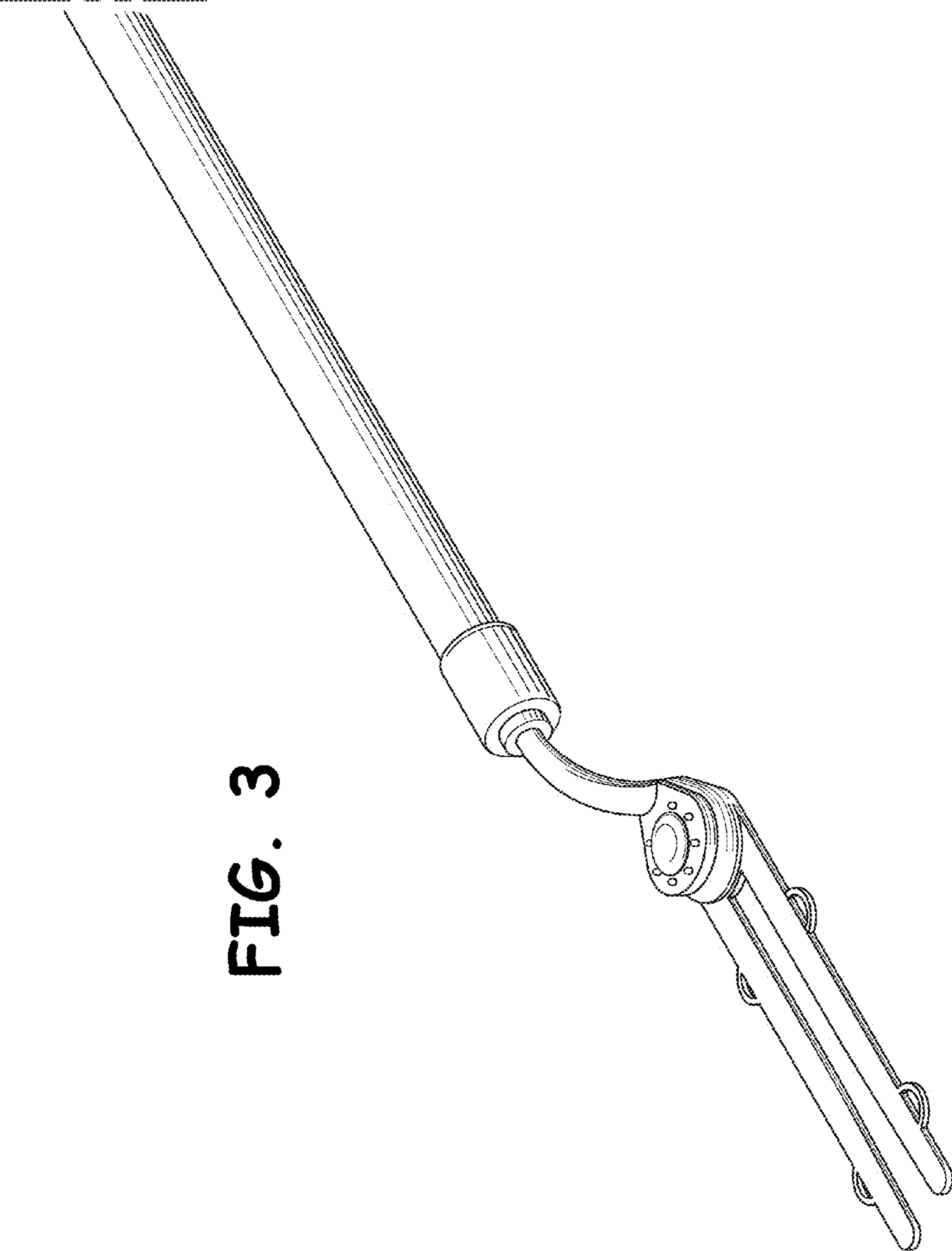


FIG. 3

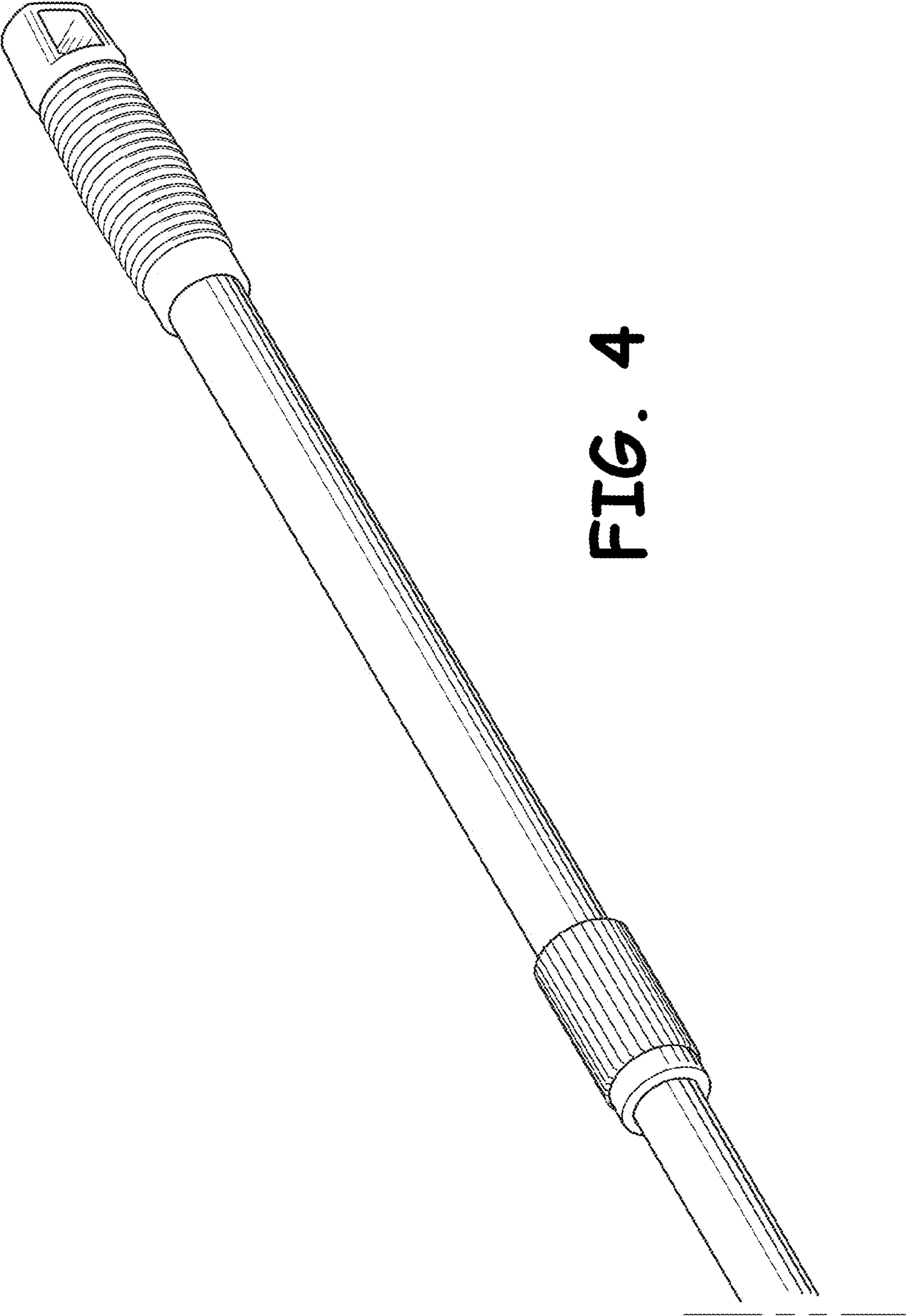


FIG. 4

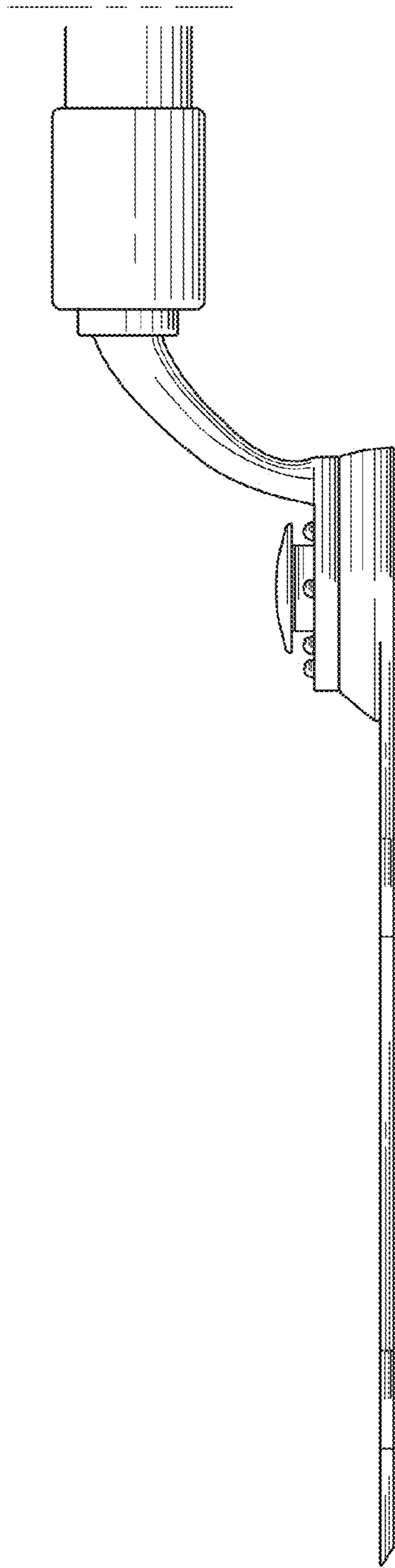


FIG. 5

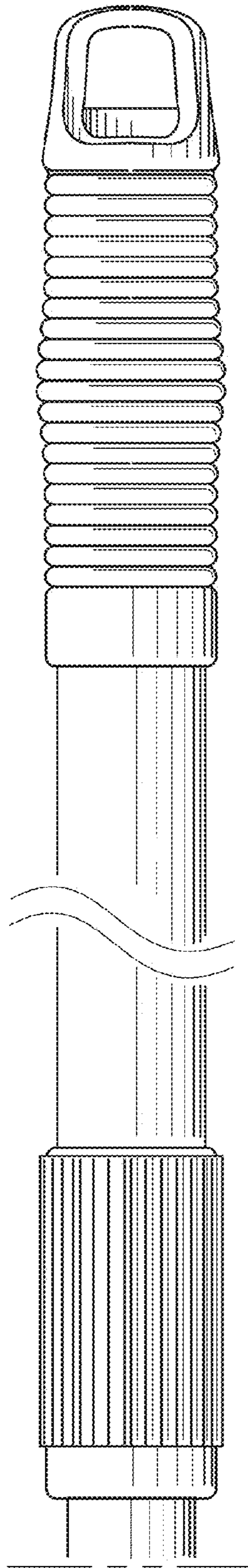


FIG. 6

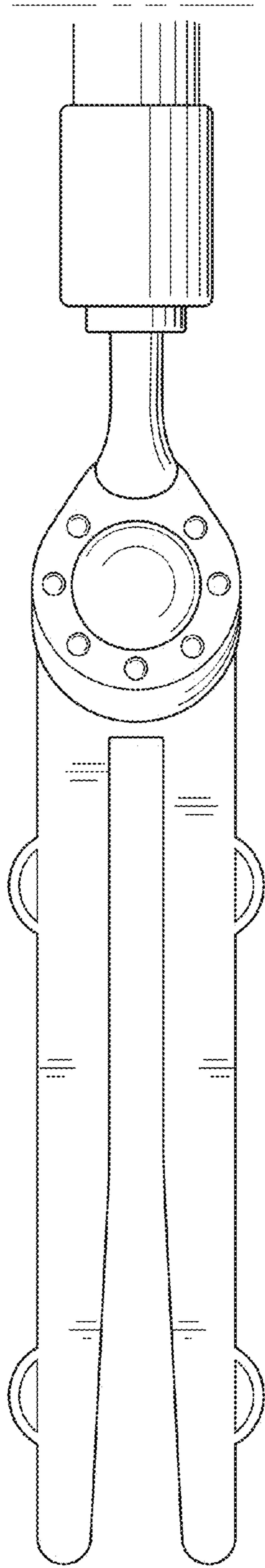


FIG. 7

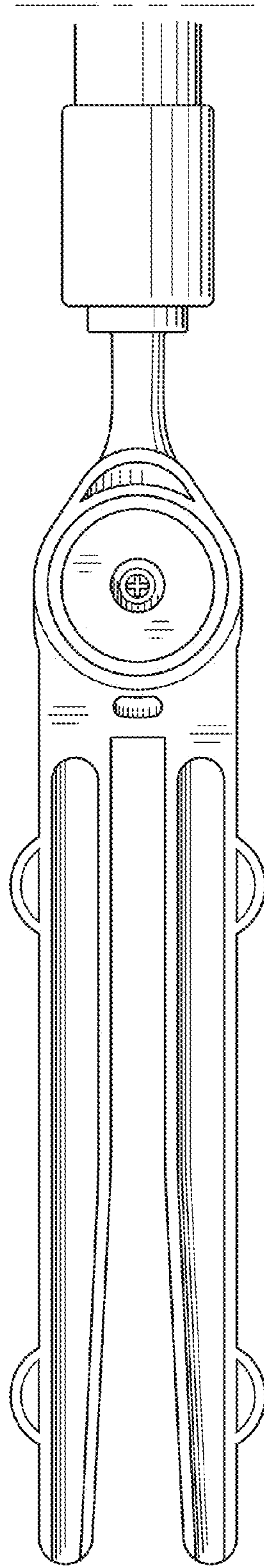


FIG. 8

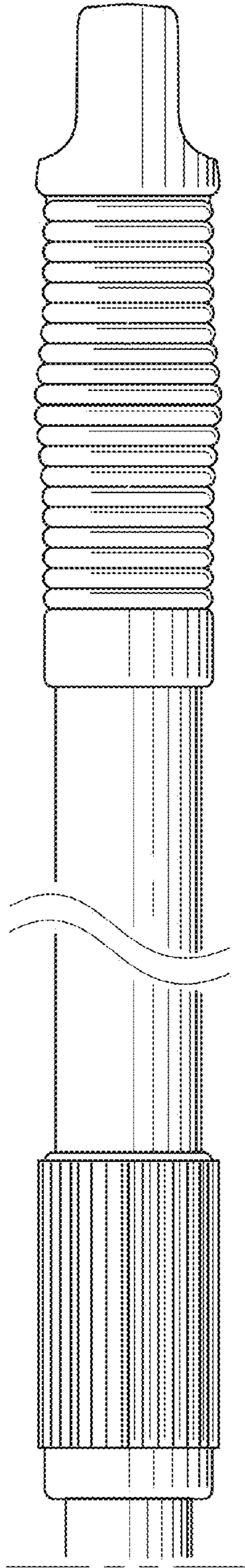


FIG. 9

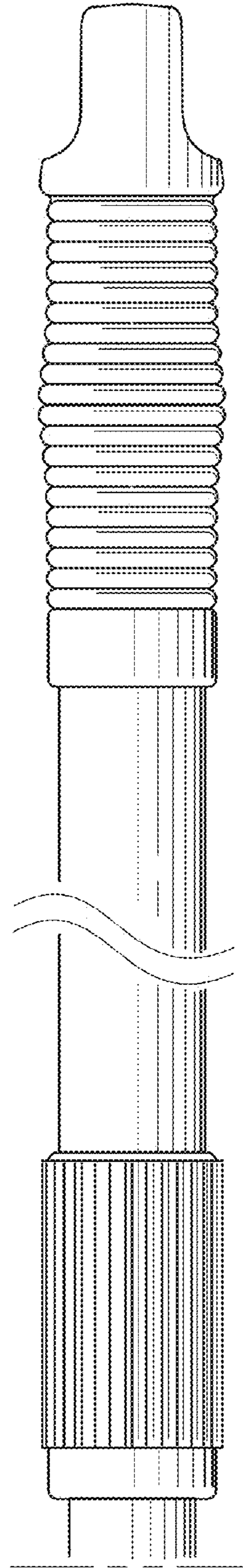


FIG. 10

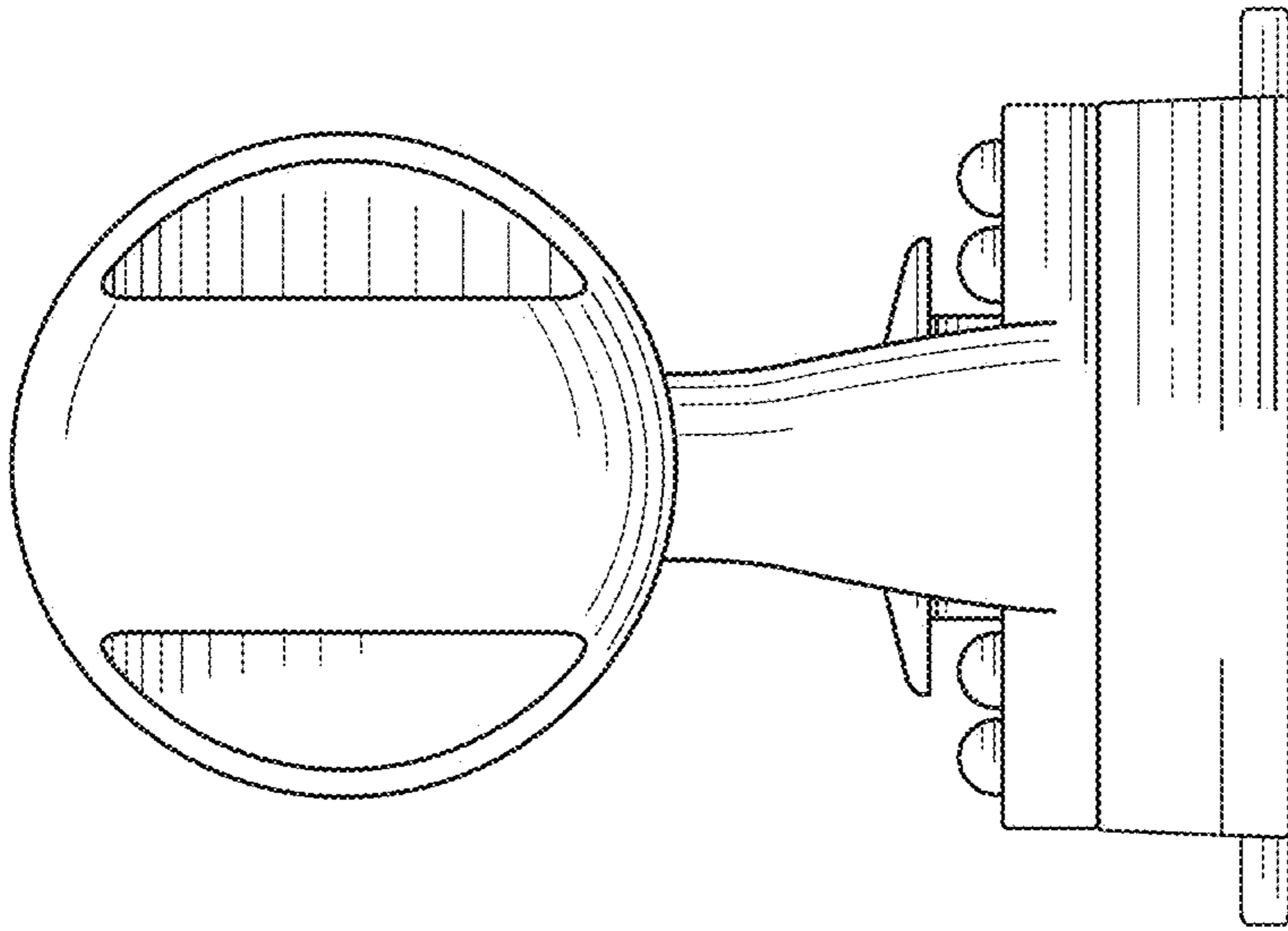


FIG. 11

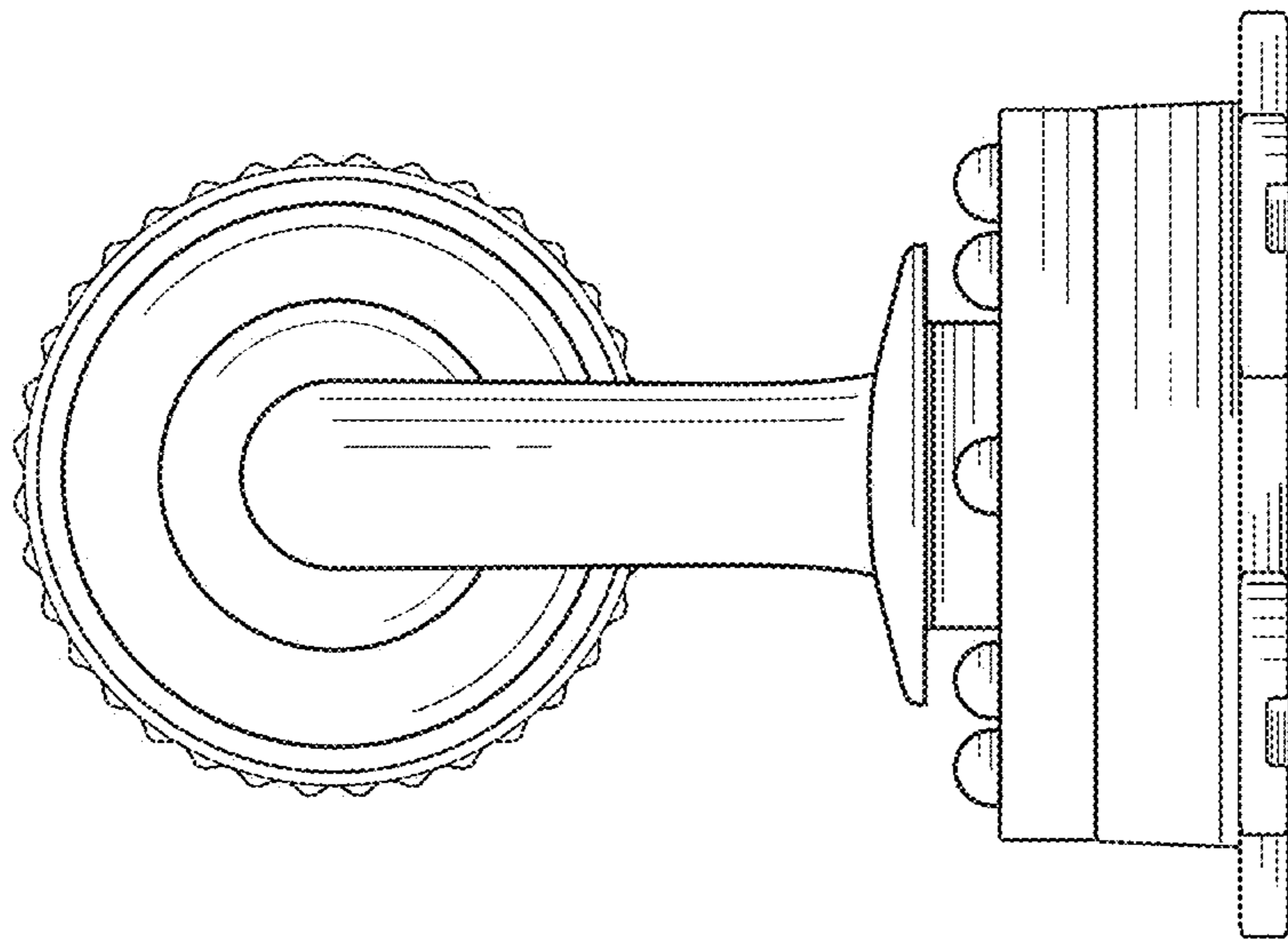


FIG. 12

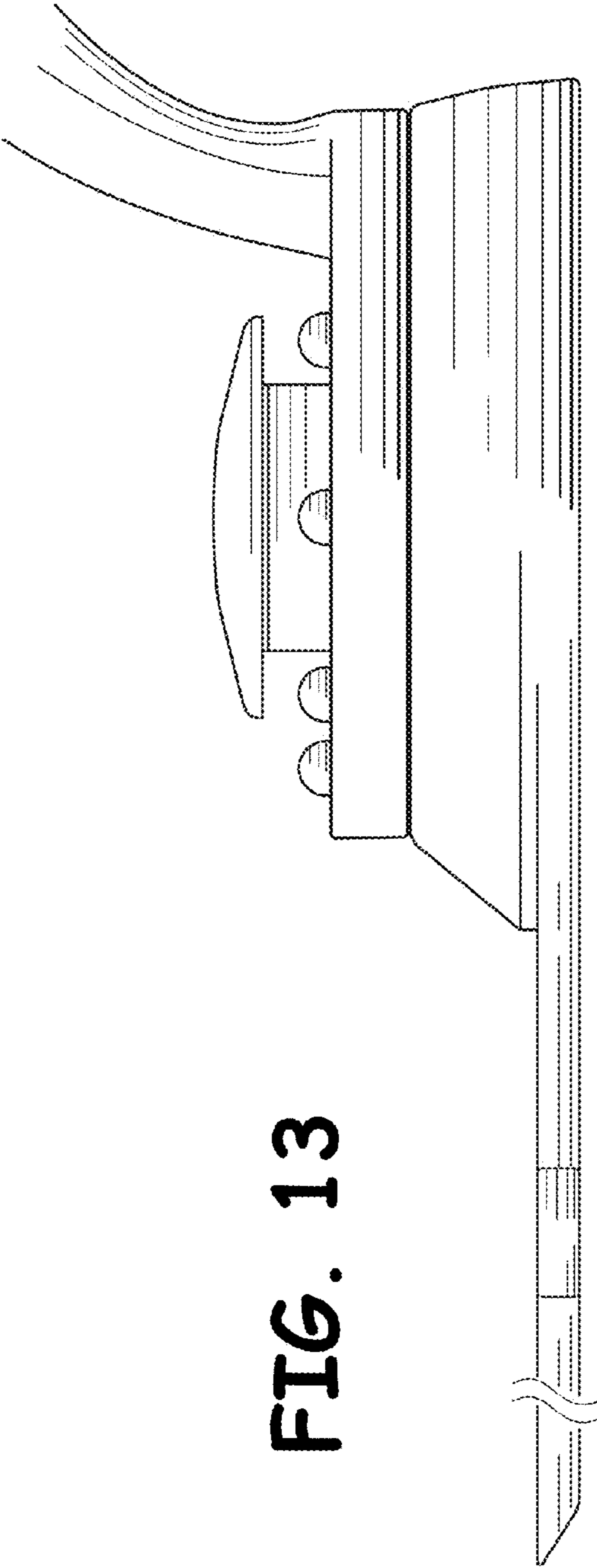


FIG. 13

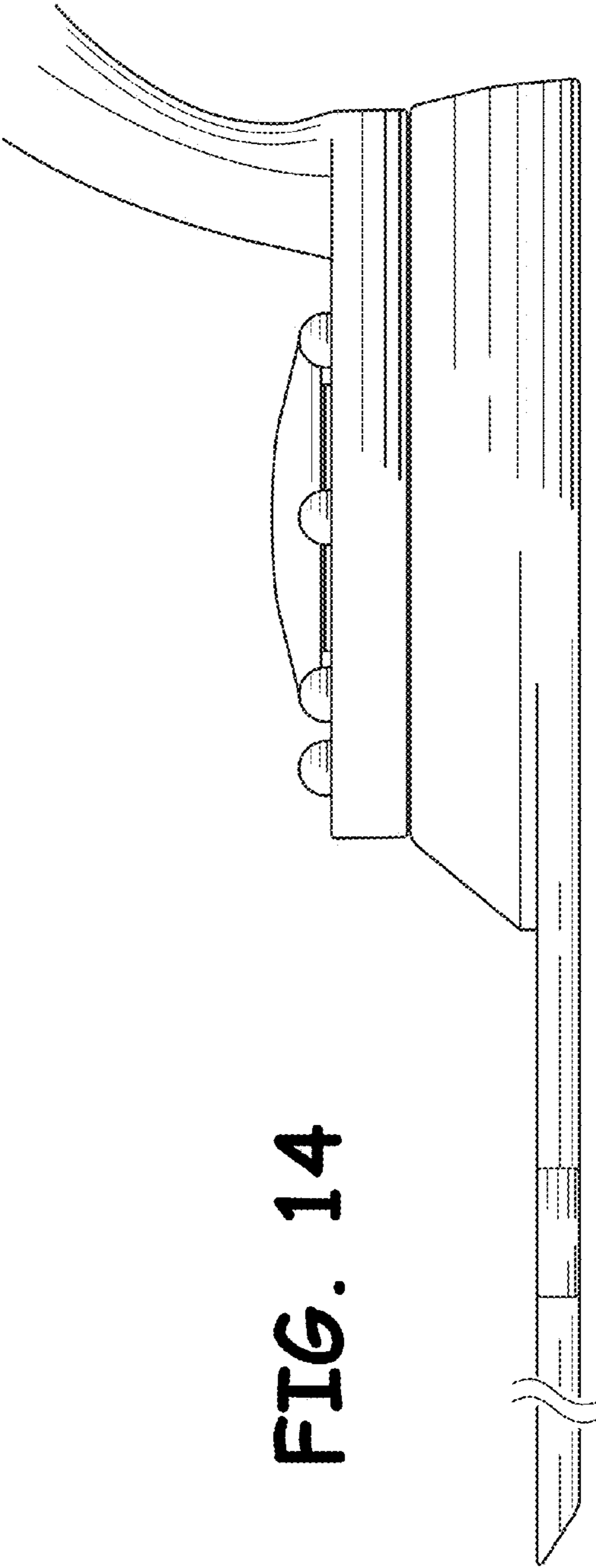


FIG. 14

FIG. 15

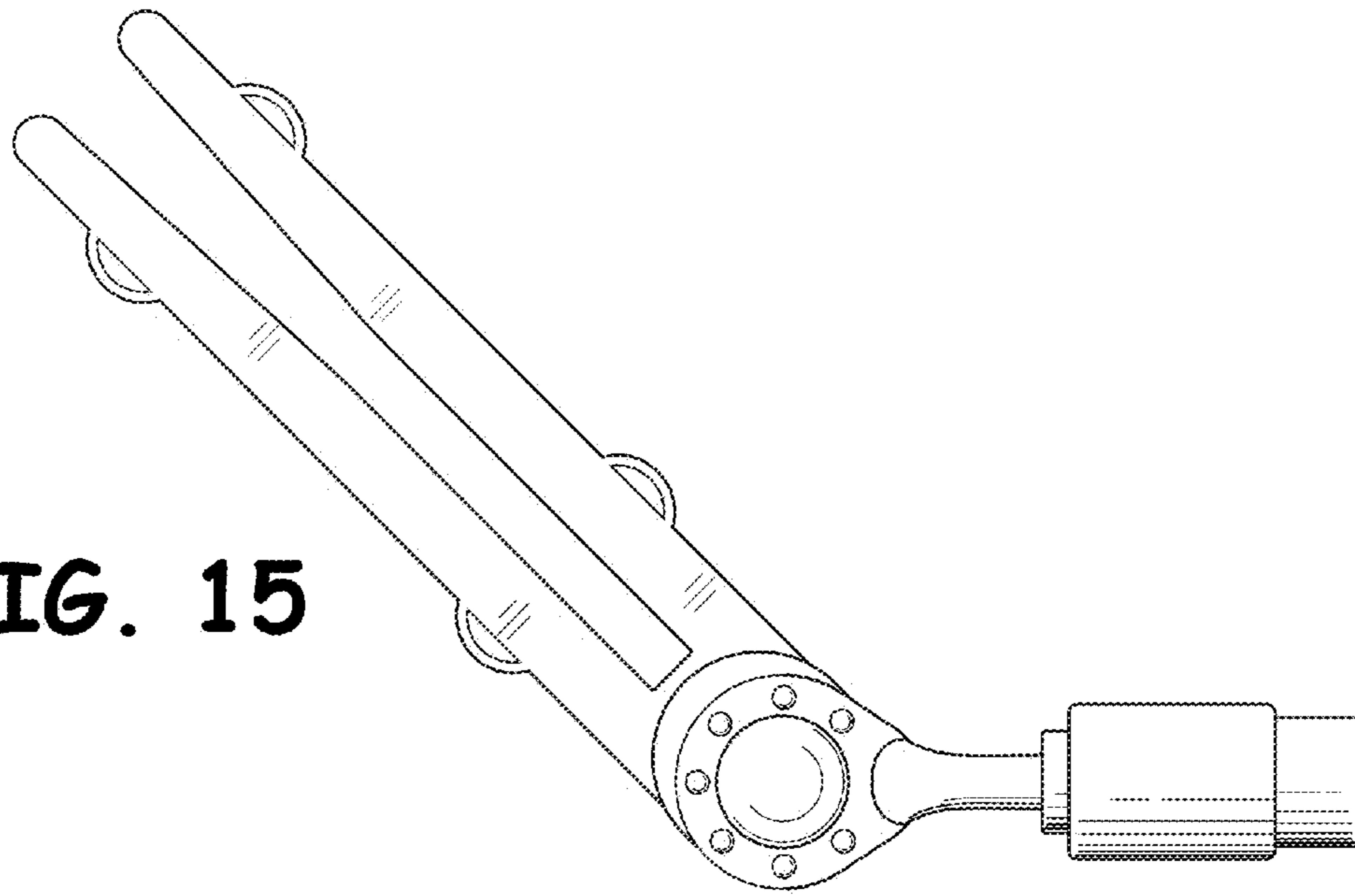
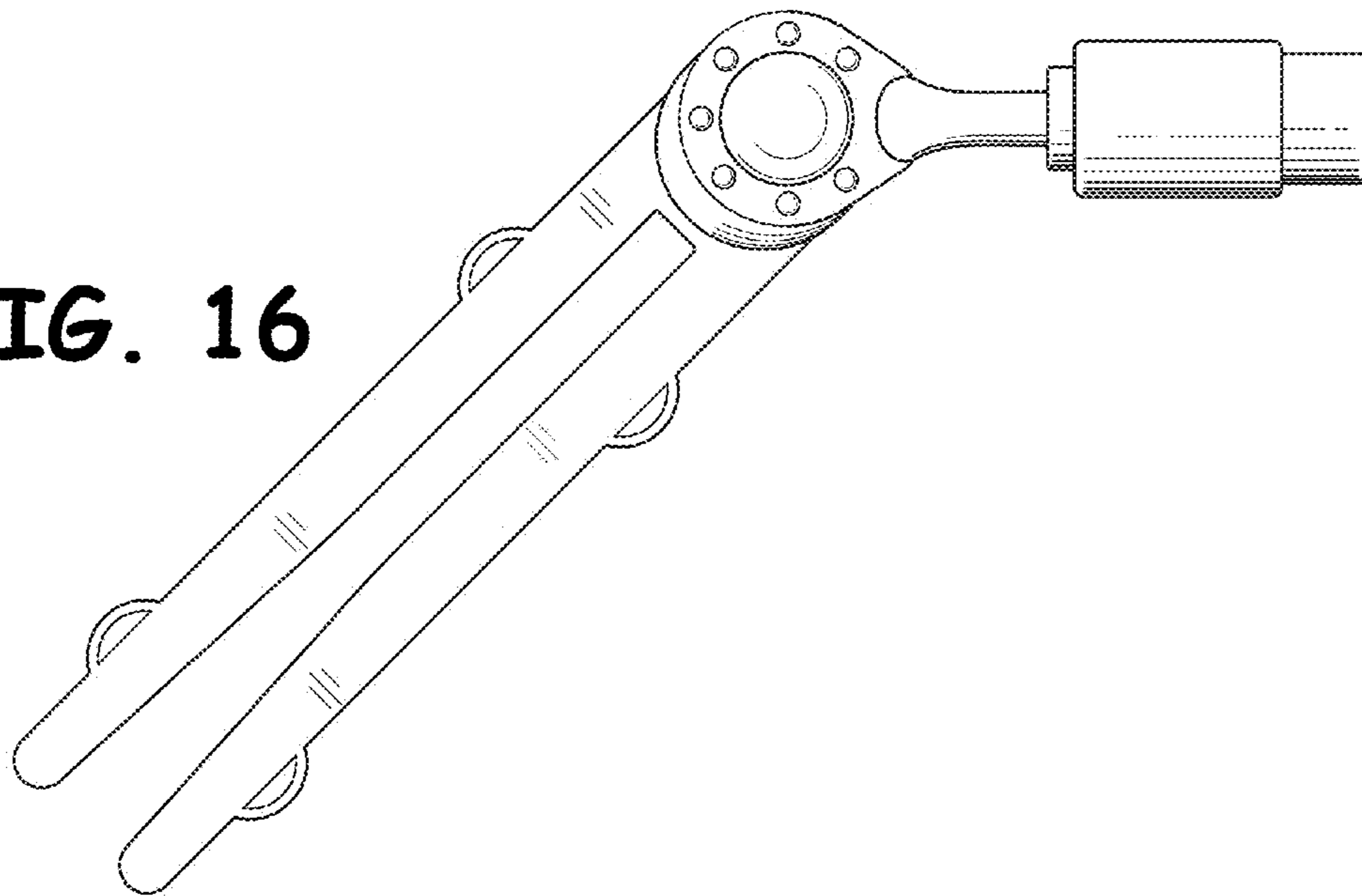


FIG. 16



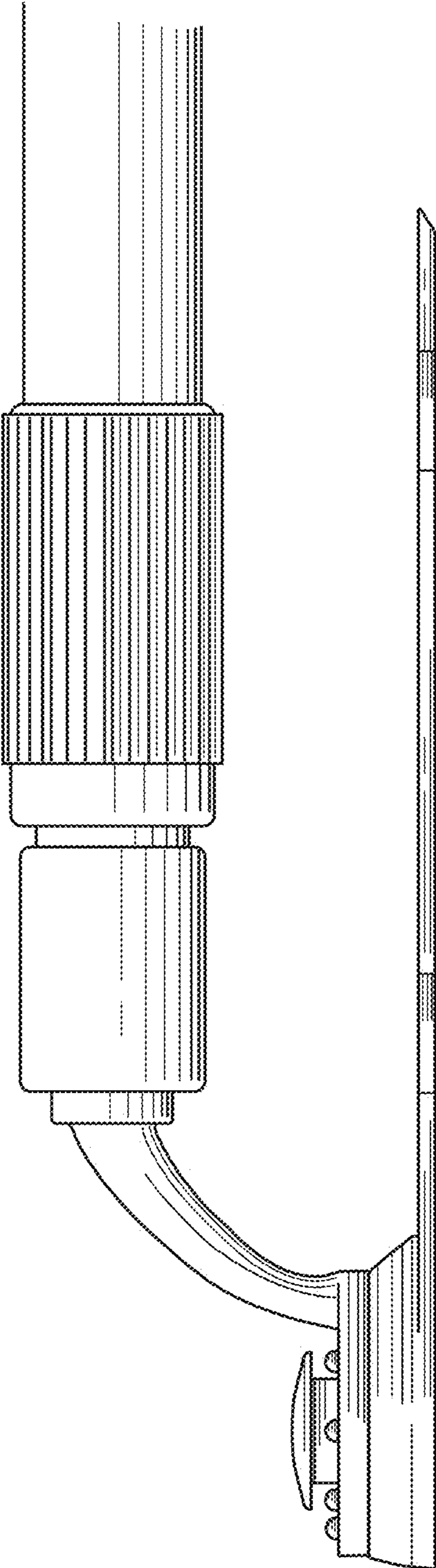


FIG. 17