



US00D720900S

(12) **United States Design Patent**  
**Hickmott et al.**

(10) **Patent No.:** **US D720,900 S**  
(45) **Date of Patent:** **\*\* Jan. 6, 2015**

(54) **VACUUM CLEANER**

(71) Applicant: **Nilfisk-Advance A/S**, Brøndby (DK)

(72) Inventors: **Richard Hickmott**, Helsingør (DK);  
**Alistair David Morton**, Kastrup (DK)

(73) Assignee: **Nilfisk-Advance A/S** (DK)

(\*\*) Term: **14 Years**

(21) Appl. No.: **29/447,250**

(22) Filed: **Mar. 1, 2013**

(30) **Foreign Application Priority Data**

Sep. 4, 2012 (EM) ..... 002096537-0003

(51) **LOC (10) Cl.** ..... **15-05**

(52) **U.S. Cl.**  
USPC ..... **D32/21**

(58) **Field of Classification Search**  
CPC ... A47L 7/0004; A47L 11/34; A47L 11/4036;  
A47L 11/4041; A47L 7/0023; A47L 11/30  
USPC ..... D32/21-24, 32-34; 15/353, 320-321,  
15/323, 340.2, 412, 339, 327.1-327.7  
See application file for complete search history.

(56) **References Cited**

**U.S. PATENT DOCUMENTS**

D318,543 S \* 7/1991 Shero ..... D32/23  
D344,374 S \* 2/1994 Wulff ..... D32/22  
D364,947 S \* 12/1995 Kent et al. .... D32/22  
D377,855 S \* 2/1997 Labarbera ..... D32/22

D381,779 S \* 7/1997 Pritchett et al. .... D32/22  
D405,567 S \* 2/1999 Kent et al. .... D32/22  
5,890,258 A \* 4/1999 Lee ..... 15/320  
5,979,014 A \* 11/1999 Reichow et al. .... 15/412  
D422,386 S \* 4/2000 Jaros et al. .... D32/22  
D521,700 S \* 5/2006 Griffin ..... D32/23  
D528,718 S \* 9/2006 Tomasiak et al. .... D32/21  
D568,013 S \* 4/2008 Crevling et al. .... D32/23  
D573,320 S \* 7/2008 Crevling et al. .... D32/23  
D581,111 S \* 11/2008 DiPasquale ..... D32/21  
D615,258 S \* 5/2010 Dammkoehler ..... D32/23  
D655,872 S \* 3/2012 Jin ..... D32/21  
D660,529 S \* 5/2012 Dammkoehler et al. .... D32/21  
D670,046 S \* 10/2012 Theising et al. .... D32/22  
D676,205 S \* 2/2013 Theising et al. .... D32/21  
2012/0317746 A1 \* 12/2012 Hill et al. .... 15/320

\* cited by examiner

*Primary Examiner* — Ruth McInroy

(74) *Attorney, Agent, or Firm* — Schwegman Lundberg & Woessner, P.A.

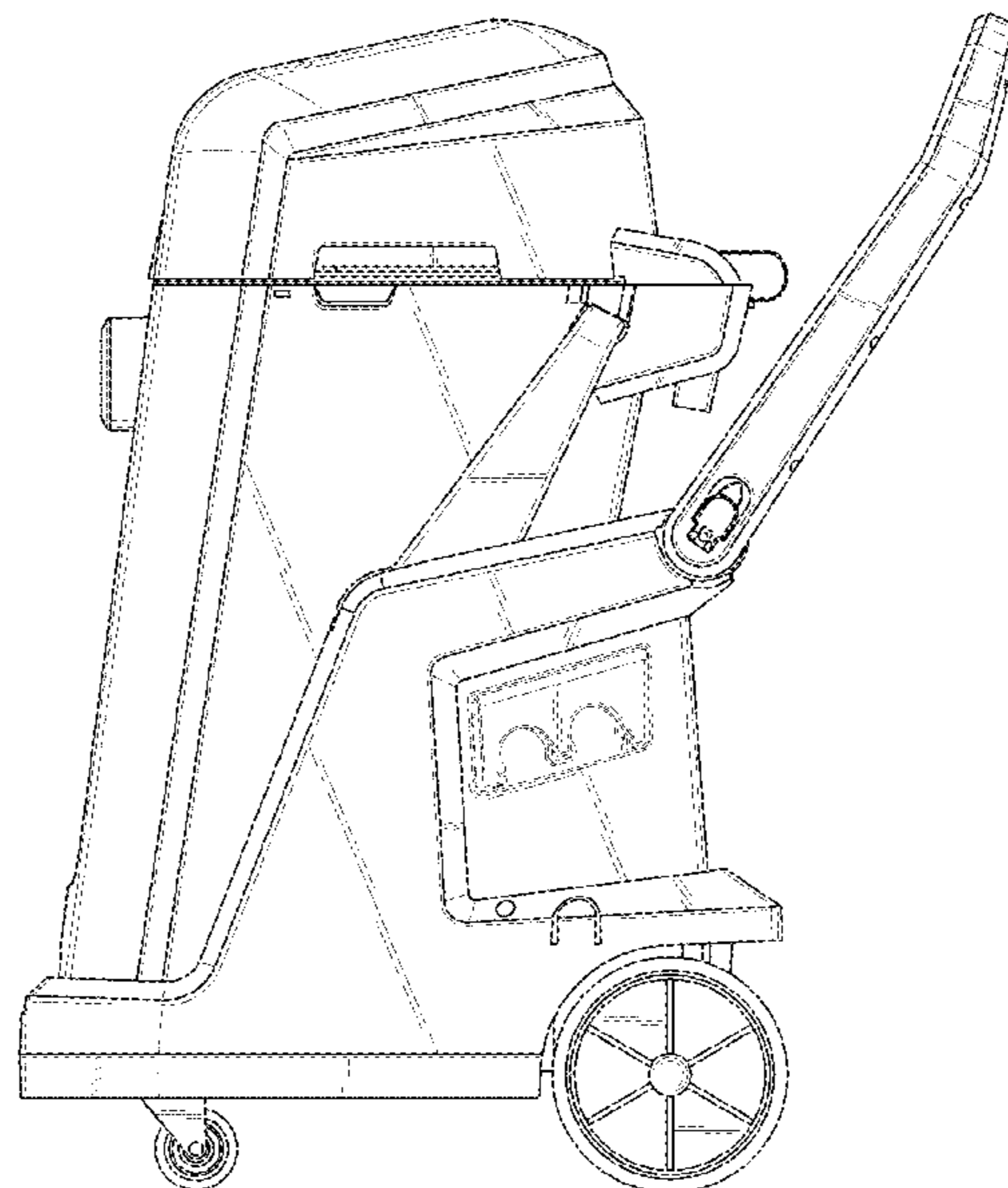
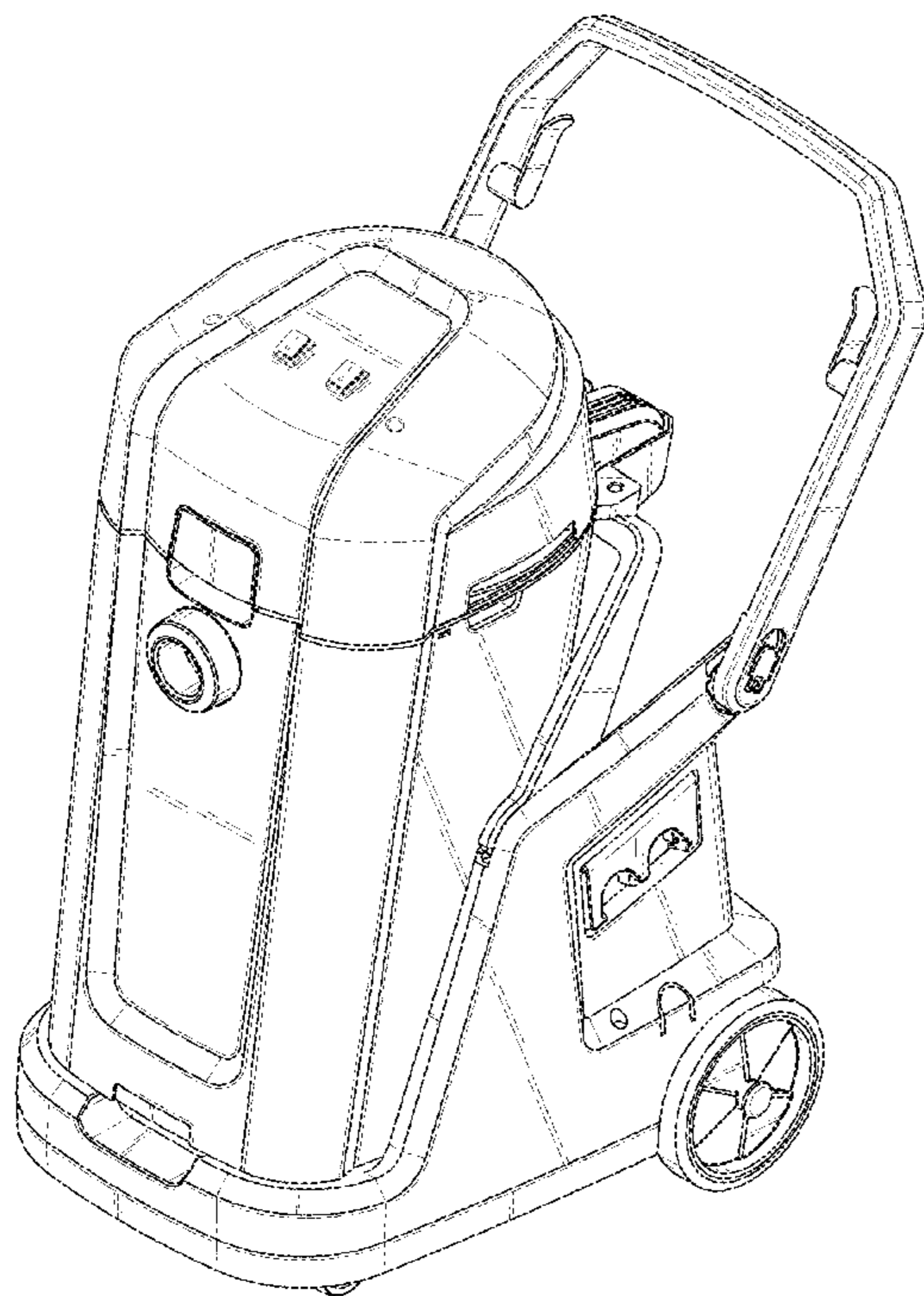
(57) **CLAIM**

The ornamental design for a vacuum cleaner, as shown and described.

**DESCRIPTION**

FIG. 1 is a front perspective view of a vacuum cleaner;  
FIG. 2 is a right side view of the vacuum cleaner;  
FIG. 3 is a left side view of the vacuum cleaner;  
FIG. 4 is a front view of the vacuum cleaner;  
FIG. 5 is a rear view of the vacuum cleaner;  
FIG. 6 is a top view of the vacuum cleaner; and,  
FIG. 7 is a bottom view of the vacuum cleaner.

**1 Claim, 7 Drawing Sheets**



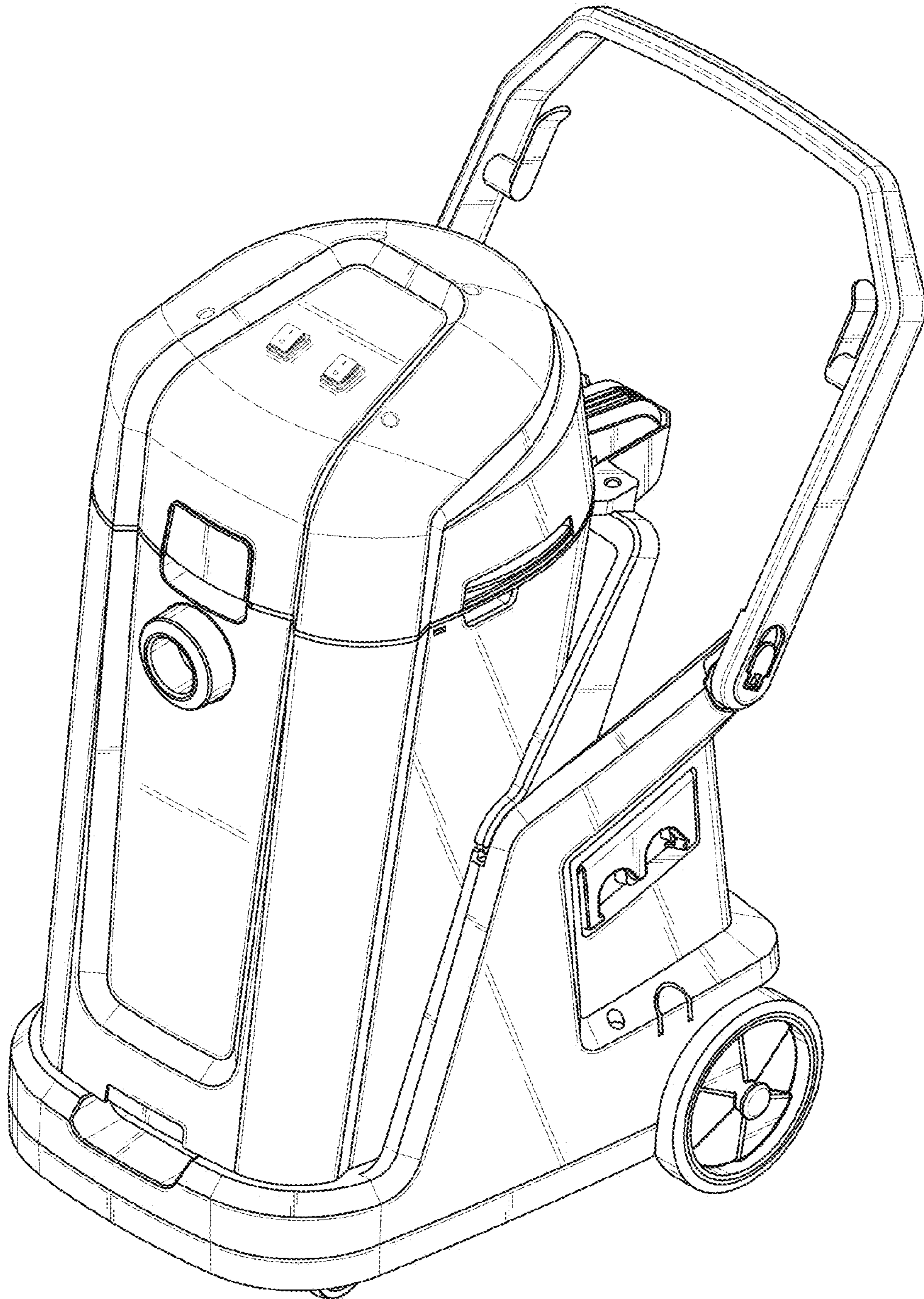
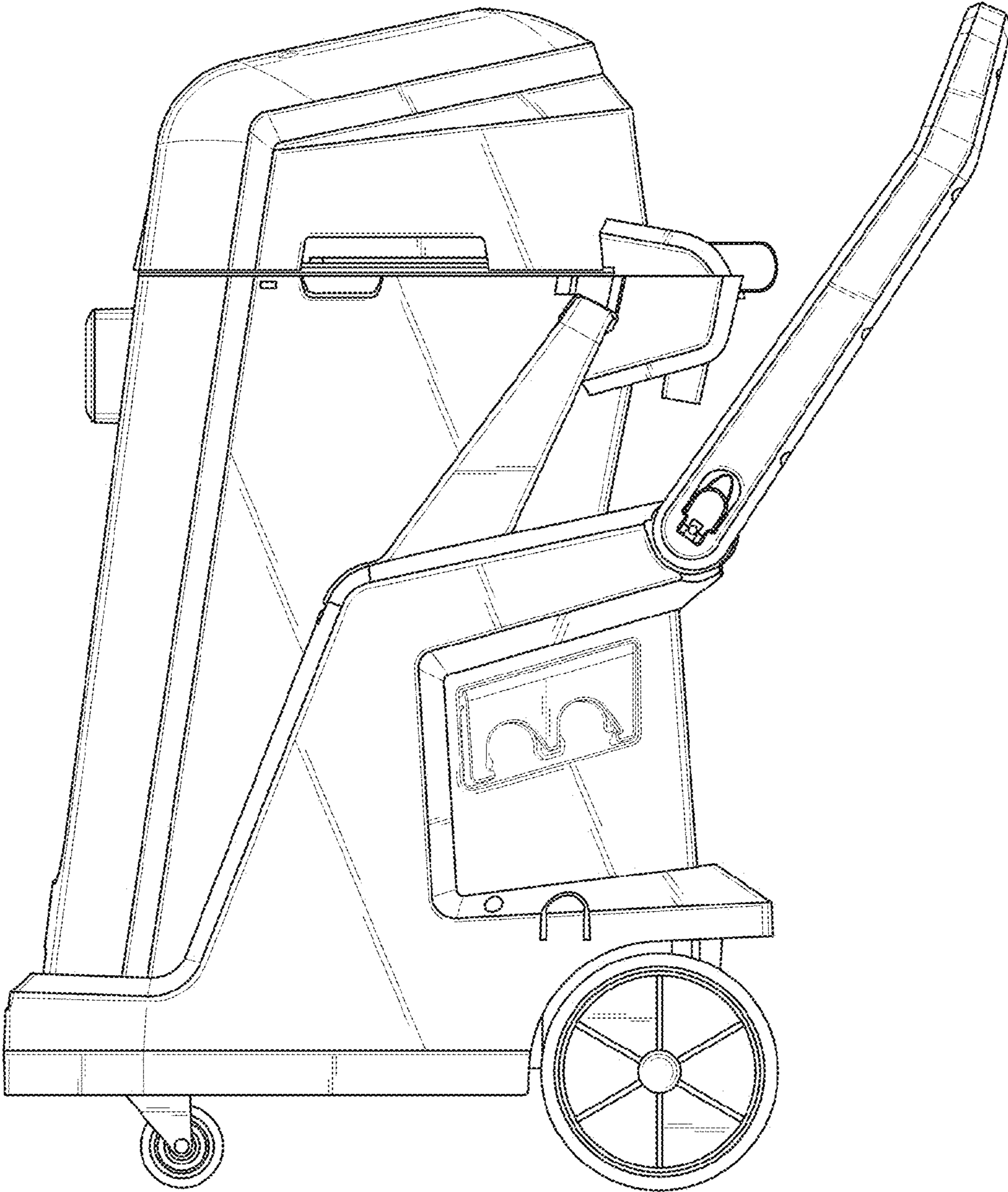
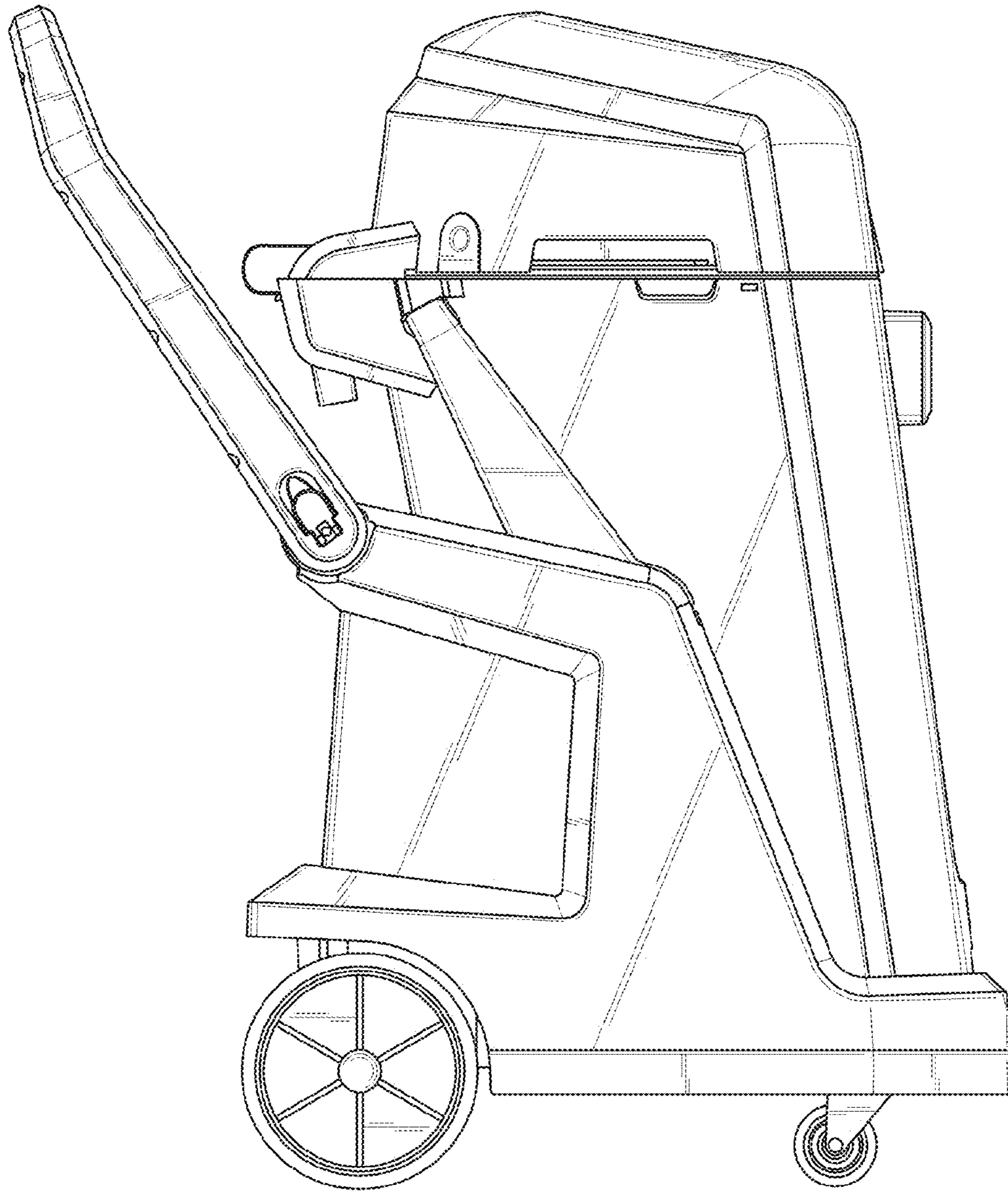


FIG. 1

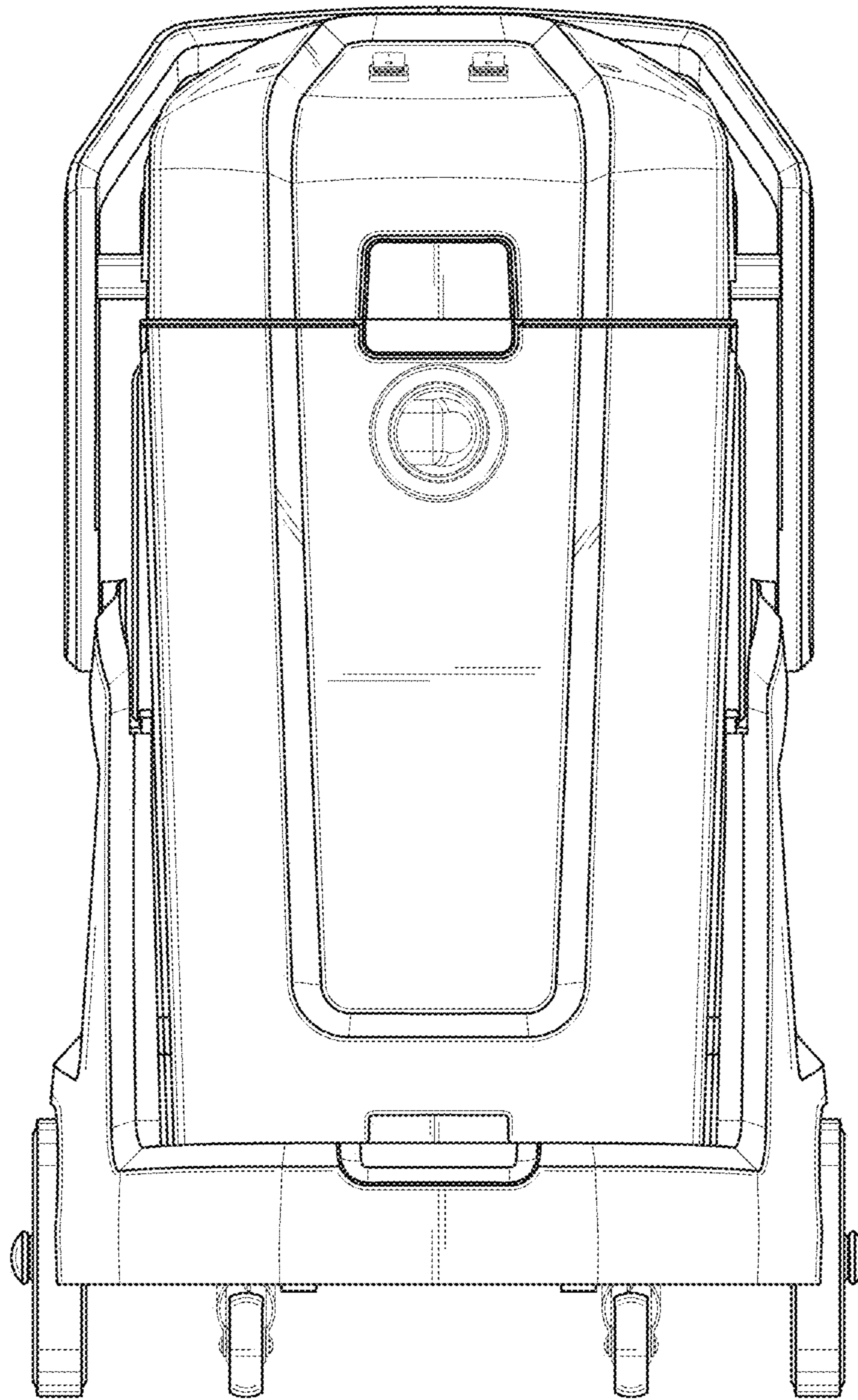




*FIG. 2*

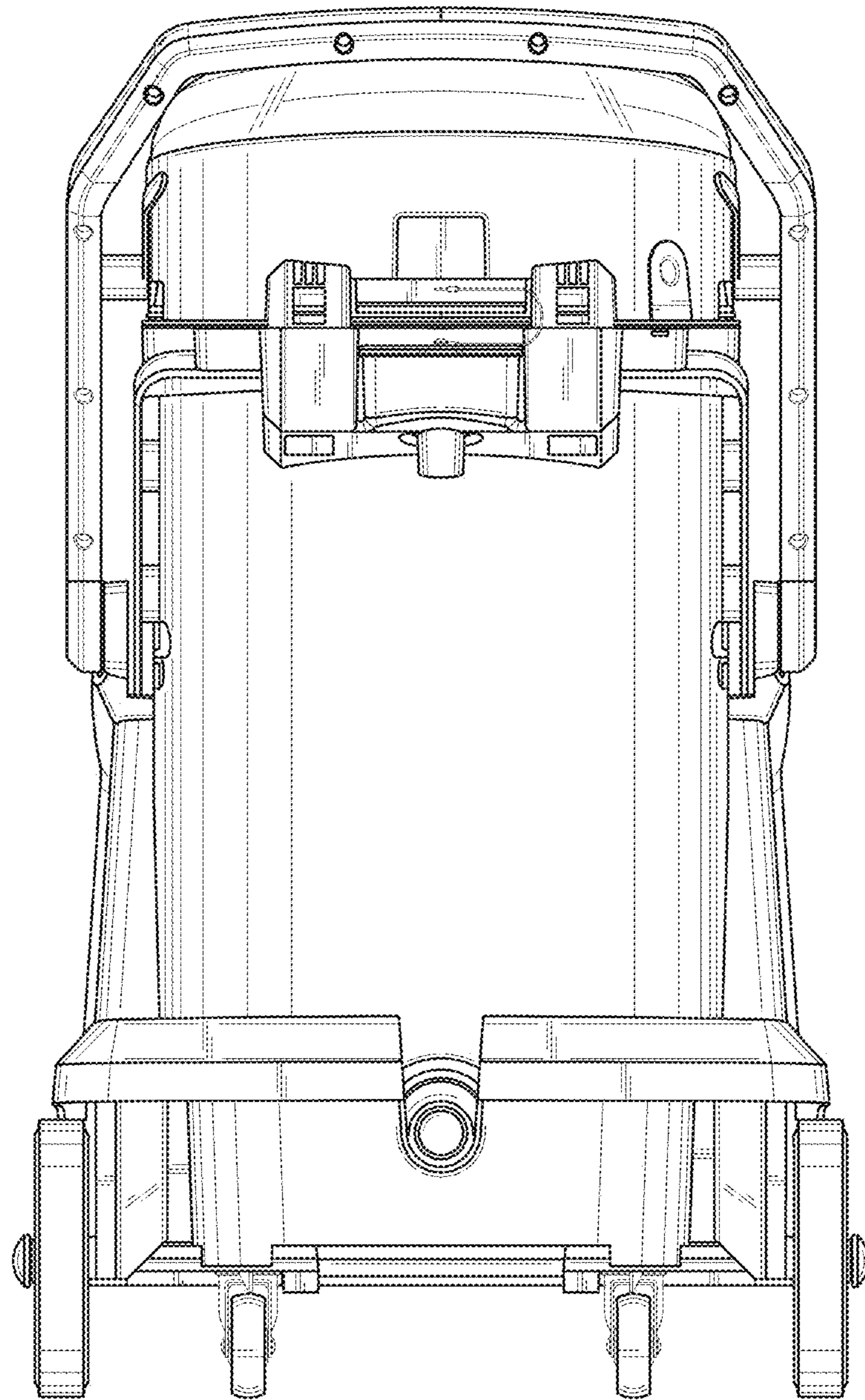


*FIG. 3*

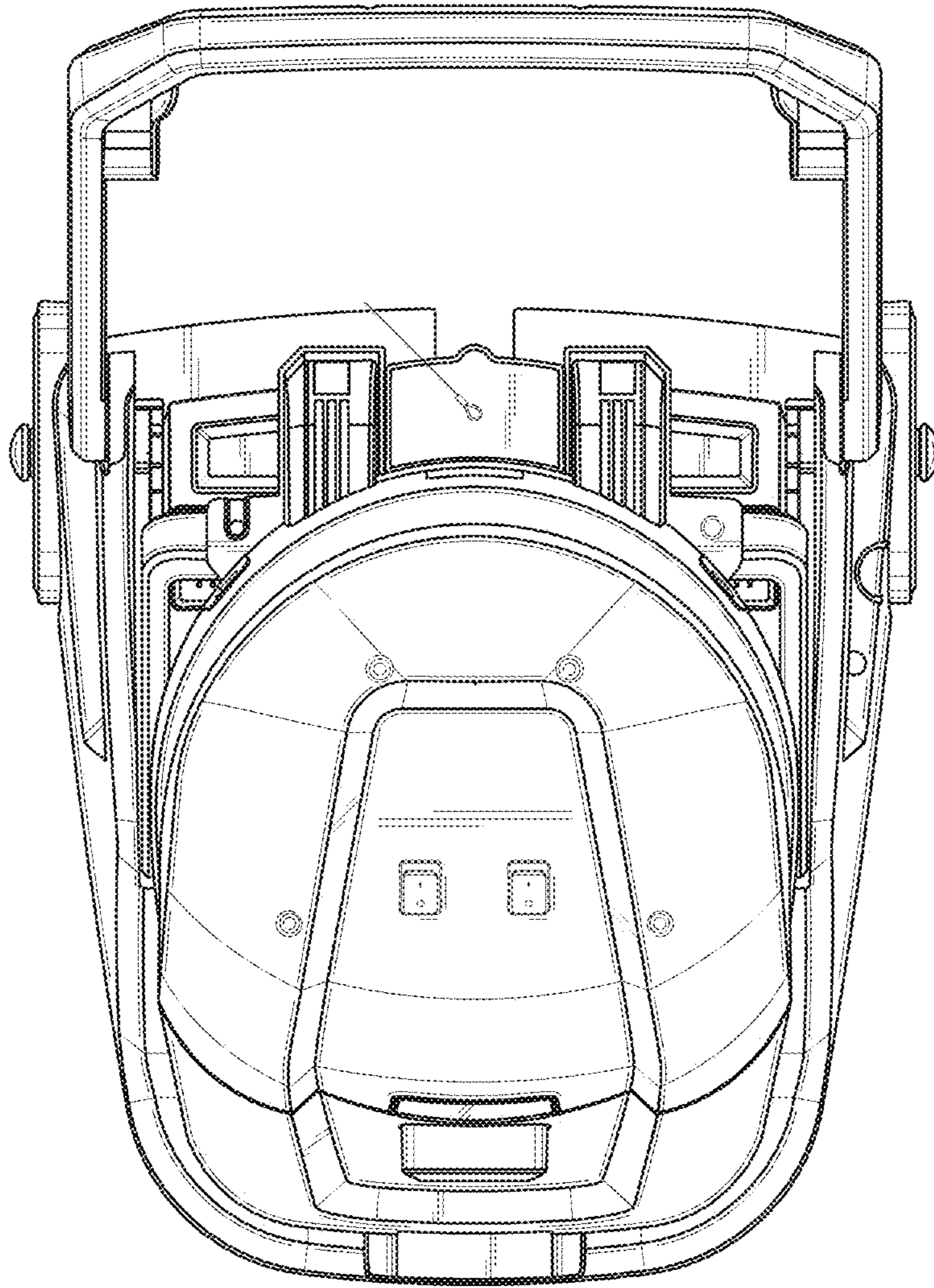


*FIG. 4*





*FIG. 5*



*FIG. 6*

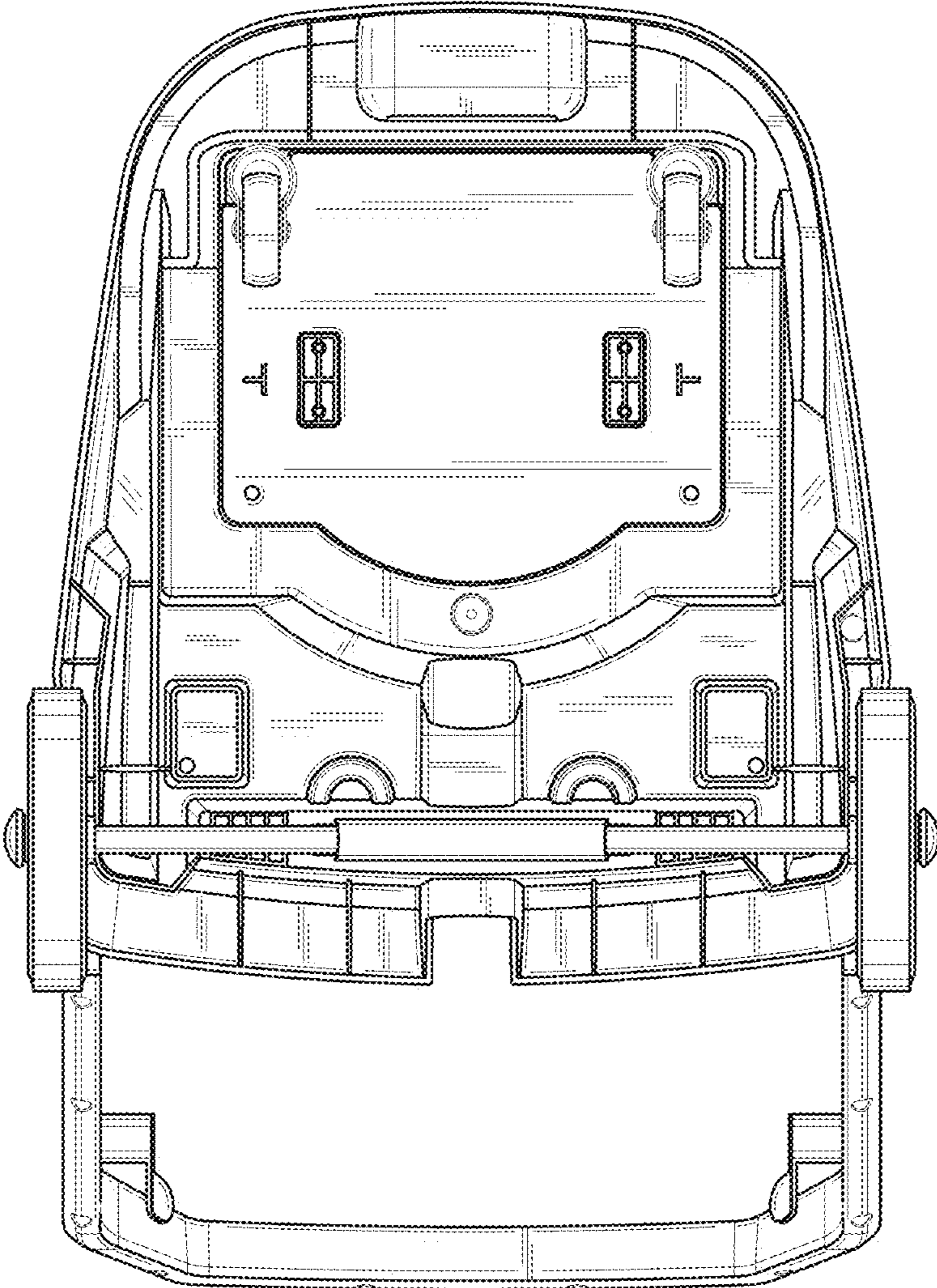


FIG. 7