



US00D720896S

(12) **United States Design Patent**
Chang

(10) **Patent No.:** **US D720,896 S**
(45) **Date of Patent:** **** Jan. 6, 2015**

(54) **MULTI-PURPOSE RACK FOR PET WATERER AND FEEDER**

(71) Applicant: **Chiung Yu Chang**, Taipei (TW)

(72) Inventor: **Chiung Yu Chang**, Taipei (TW)

(**) Term: **14 Years**

(21) Appl. No.: **29/488,006**

(22) Filed: **Apr. 15, 2014**

(51) **LOC (10) Cl.** **30-03**

(52) **U.S. Cl.**
USPC **D30/133**; D30/130; D30/131

(58) **Field of Classification Search**
USPC D30/133, 121, 128, 130, 132; 119/52.1,
119/55, 61.5-61.56; D6/480-485; 248/188;
312/204; 108/153.1-157

See application file for complete search history.

(56) **References Cited**

U.S. PATENT DOCUMENTS

D16,306	S	*	9/1885	Rogers	D30/154
989,744	A	*	4/1911	Wilmot	254/387
1,594,290	A	*	7/1926	Woessner et al.	119/72
1,698,355	A	*	1/1929	Wiemer	119/72
1,977,571	A	*	10/1934	Brumm	137/454
2,760,668	A	*	8/1956	Wiederspan et al.	215/395
2,837,305	A	*	6/1958	Andren	248/148
2,887,988	A	*	5/1959	Cottongim	119/57.9
3,026,079	A	*	3/1962	Stack	248/122.1
3,145,007	A	*	8/1964	Swinney	248/149
3,224,595	A	*	12/1965	Sherley	211/83
3,244,149	A	*	4/1966	Bosko et al.	119/795
3,661,121	A	*	5/1972	Zielin	119/61.57
3,788,583	A	*	1/1974	Byrd	248/146
4,205,629	A	*	6/1980	Wix	119/51.5
D259,967	S	*	7/1981	Ramsey	D30/133
4,463,706	A	*	8/1984	Meister et al.	119/51.02
4,955,322	A	*	9/1990	Rodriguez	119/78
5,000,124	A	*	3/1991	Bergen	119/63

5,033,703	A	*	7/1991	Allen, Sr.	248/97
5,042,192	A	*	8/1991	Osteen	43/109
5,054,431	A	*	10/1991	Coviello	119/61.56
5,148,626	A	*	9/1992	Haake, Sr.	43/121
5,165,365	A	*	11/1992	Thompson	119/61.53
D331,865	S	*	12/1992	Parker	D8/1
5,218,927	A	*	6/1993	Addams	119/537
D346,098	S	*	4/1994	Schweiker, Jr.	D8/1
D357,557	S	*	4/1995	Piper	D30/133
5,501,176	A	*	3/1996	Tully	119/61.57
D375,819	S	*	11/1996	Benson	D30/133
D385,066	S	*	10/1997	Doornbos	D30/119
5,738,042	A	*	4/1998	King	119/464
5,743,212	A	*	4/1998	Forjohn	119/69.5
5,832,872	A	*	11/1998	Pearce	119/477
5,881,671	A	*	3/1999	Riedl	119/61.53
D407,952	S	*	4/1999	Kendrick	D7/620
5,924,659	A	*	7/1999	Babcock	248/146
D420,472	S	*	2/2000	Dellasantro et al.	D30/119
D421,160	S	*	2/2000	Akopdjanov	D30/133

(Continued)

Primary Examiner — Susan Moon Lee

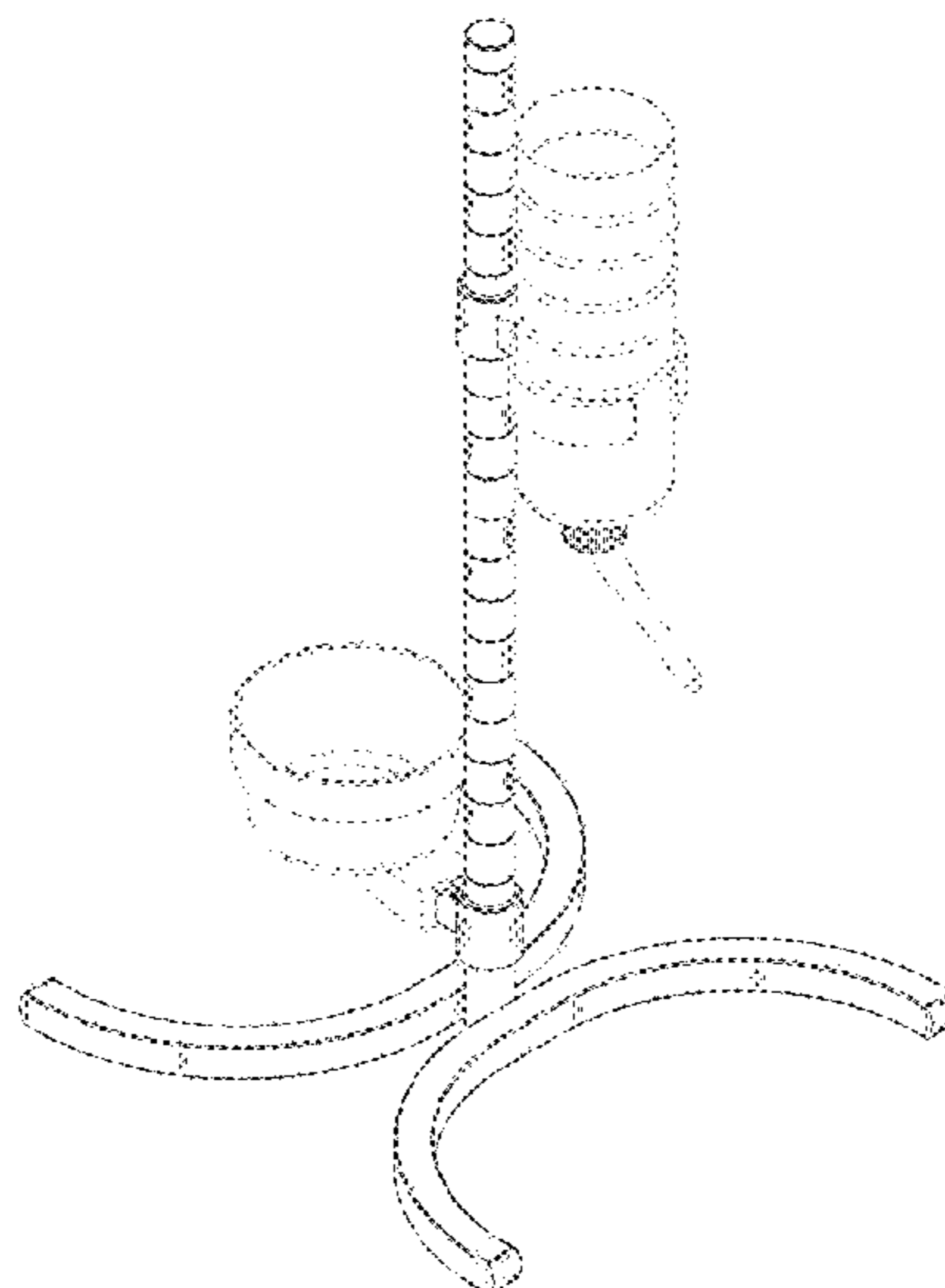
(57) **CLAIM**

I claim the ornamental design for a multi-purpose rack for pet waterer and feeder, as shown and described.

DESCRIPTION

FIG. 1 is a perspective view of a multi-purpose rack for pet waterer and feeder showing my new design;
FIG. 2 is a front elevational view thereof;
FIG. 3 is a rear elevational view thereof;
FIG. 4 is a left side elevational view thereof;
FIG. 5 is a right side elevational view thereof;
FIG. 6 is a top plan view thereof;
FIG. 7 is a bottom plan view thereof; and,
FIG. 8 is a perspective view of a multi-purpose rack for pet waterer and feeder in use state in accordance with the preferred embodiment of the present invention.
Broken lines and entirely unshaded portions contained within broken line are not claimed.

1 Claim, 8 Drawing Sheets



(56)

References Cited

U.S. PATENT DOCUMENTS

6,039,370	A *	3/2000	Dooley et al.	294/1.5	7,481,180	B1 *	1/2009	Snipes, Jr.	119/51.5
D424,758	S *	5/2000	Akopdjanov	D30/129	7,699,025	B2 *	4/2010	Ho	119/51.5
D426,681	S *	6/2000	Moreau et al.	D30/119	7,857,274	B1 *	12/2010	Parks	248/310
6,167,840	B1 *	1/2001	White et al.	119/61.53	8,001,931	B2 *	8/2011	Deese et al.	119/61.57
D437,979	S *	2/2001	Lian	D30/119	8,082,883	B2 *	12/2011	Aletti	119/61.57
D442,341	S *	5/2001	Morgan	D30/133	D662,268	S *	6/2012	Pearcey	D30/162
D459,840	S *	7/2002	Lian	D30/124	D670,452	S *	11/2012	Caruso	D30/133
6,463,884	B1 *	10/2002	Lien	119/537	D682,483	S *	5/2013	Silverman	D30/129
D468,842	S *	1/2003	May	D25/126	8,464,659	B1 *	6/2013	Batman et al.	119/61.56
D483,157	S *	12/2003	Yang	D30/119	8,479,686	B2 *	7/2013	Johnson	119/61.57
6,662,747	B1 *	12/2003	Wydra	119/63	D695,974	S *	12/2013	Young	D30/133
6,681,719	B1 *	1/2004	Warner	119/61.56	8,776,725	B1 *	7/2014	Grijalva	119/61.57
D493,072	S *	7/2004	Palmer	D7/620	D711,052	S *	8/2014	Lee	D30/129
6,901,880	B2 *	6/2005	Hammer	119/61.57	2005/0072366	A1 *	4/2005	Hammer	119/61.57
7,267,254	B2 *	9/2007	Perez	224/666	2005/0248165	A1 *	11/2005	Sharon	294/27.1
7,318,391	B2 *	1/2008	Brillon	119/61.57	2006/0283397	A1 *	12/2006	Loeffelholz	119/61.56
D562,504	S *	2/2008	Parks	D30/133	2008/0116704	A1 *	5/2008	Botello et al.	294/1.5
D565,257	S *	3/2008	Cusick et al.	D30/154	2009/0107406	A1 *	4/2009	Penny	119/51.5
D578,255	S *	10/2008	Walsh	D30/129	2010/0147224	A1 *	6/2010	Aletti	119/61.57
					2012/0234250	A1 *	9/2012	Shamoon et al.	119/61.57
					2013/0112146	A1 *	5/2013	Johnson	119/51.5

* cited by examiner

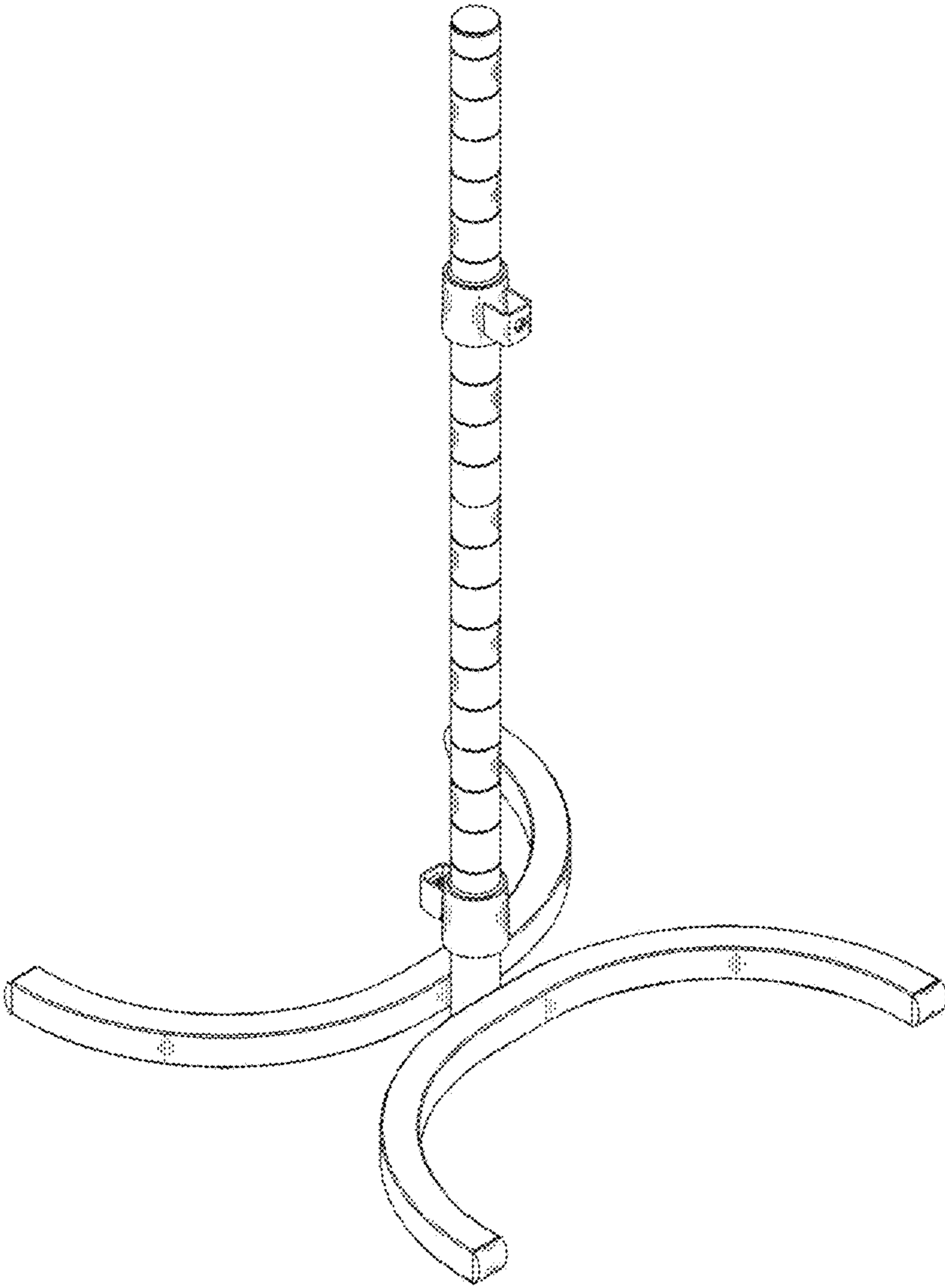


FIG. 1

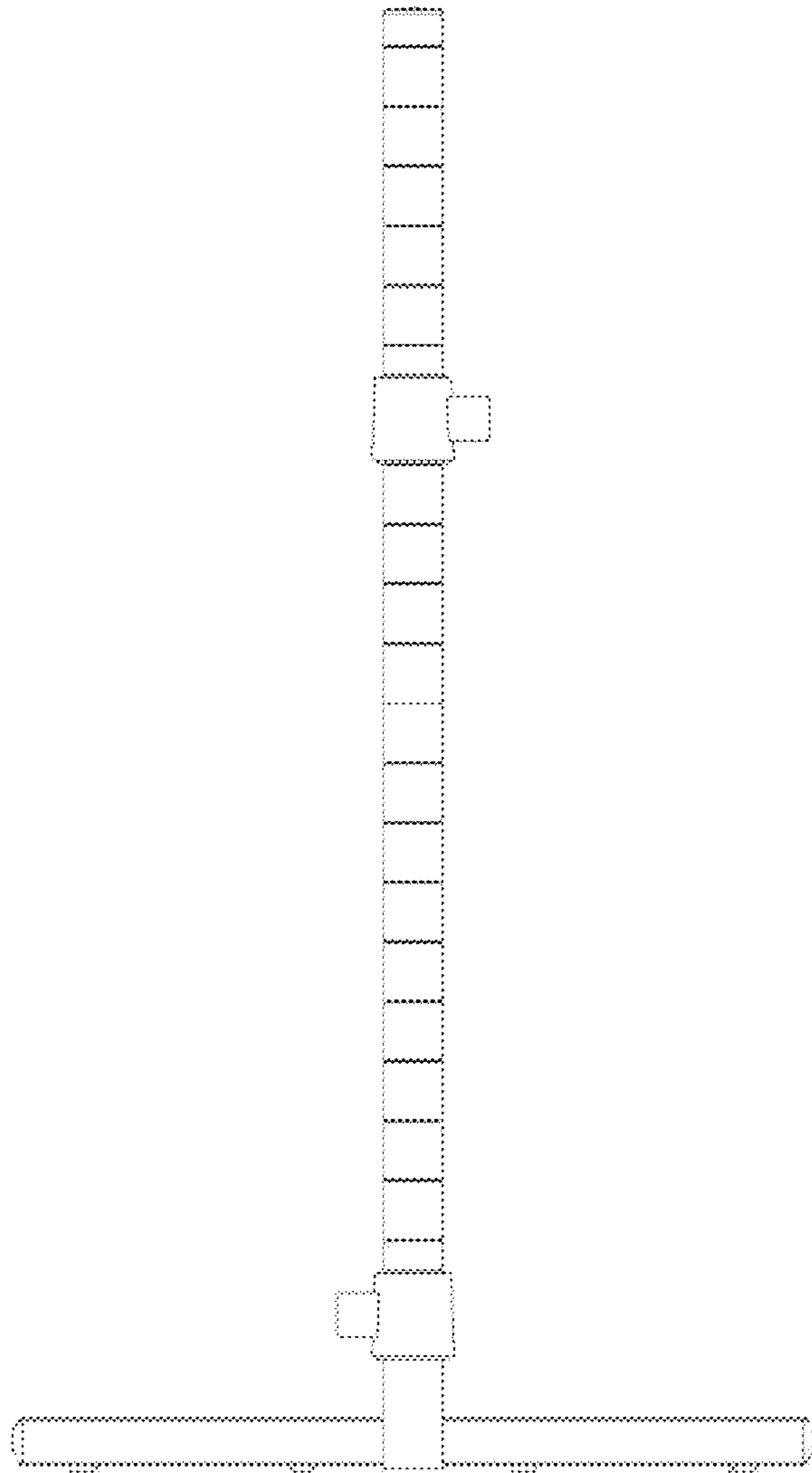


FIG. 2

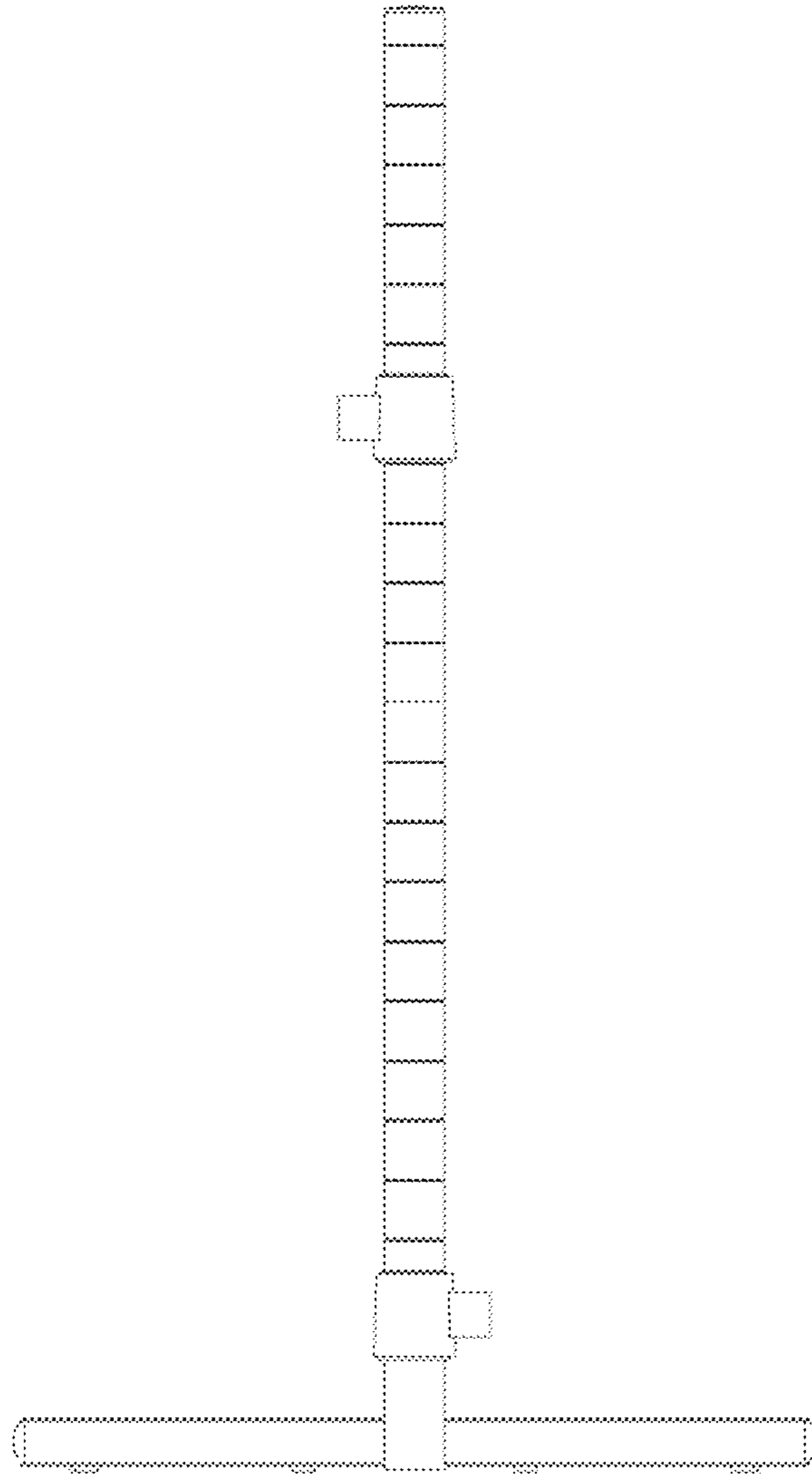


FIG. 3

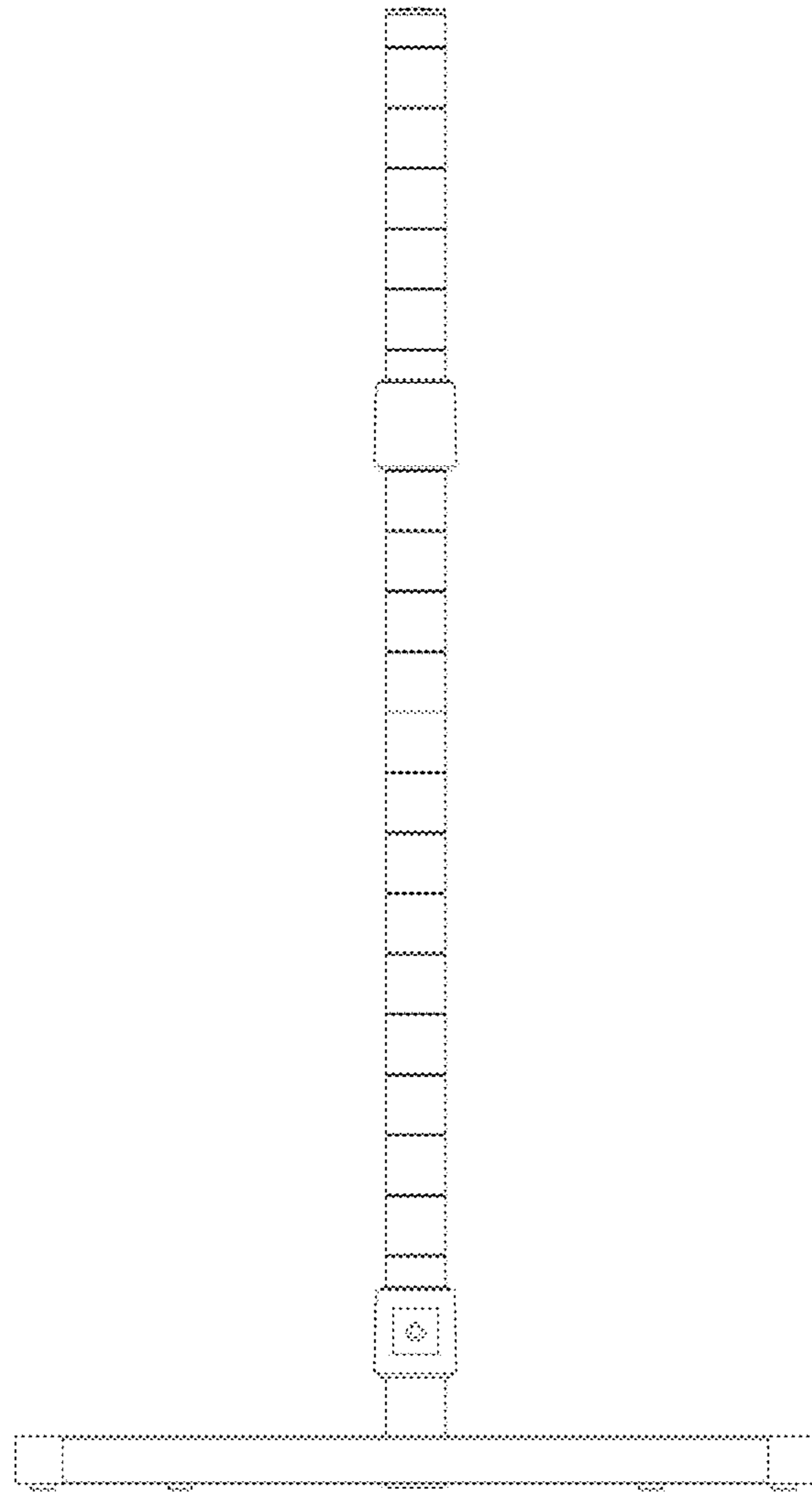


FIG. 4

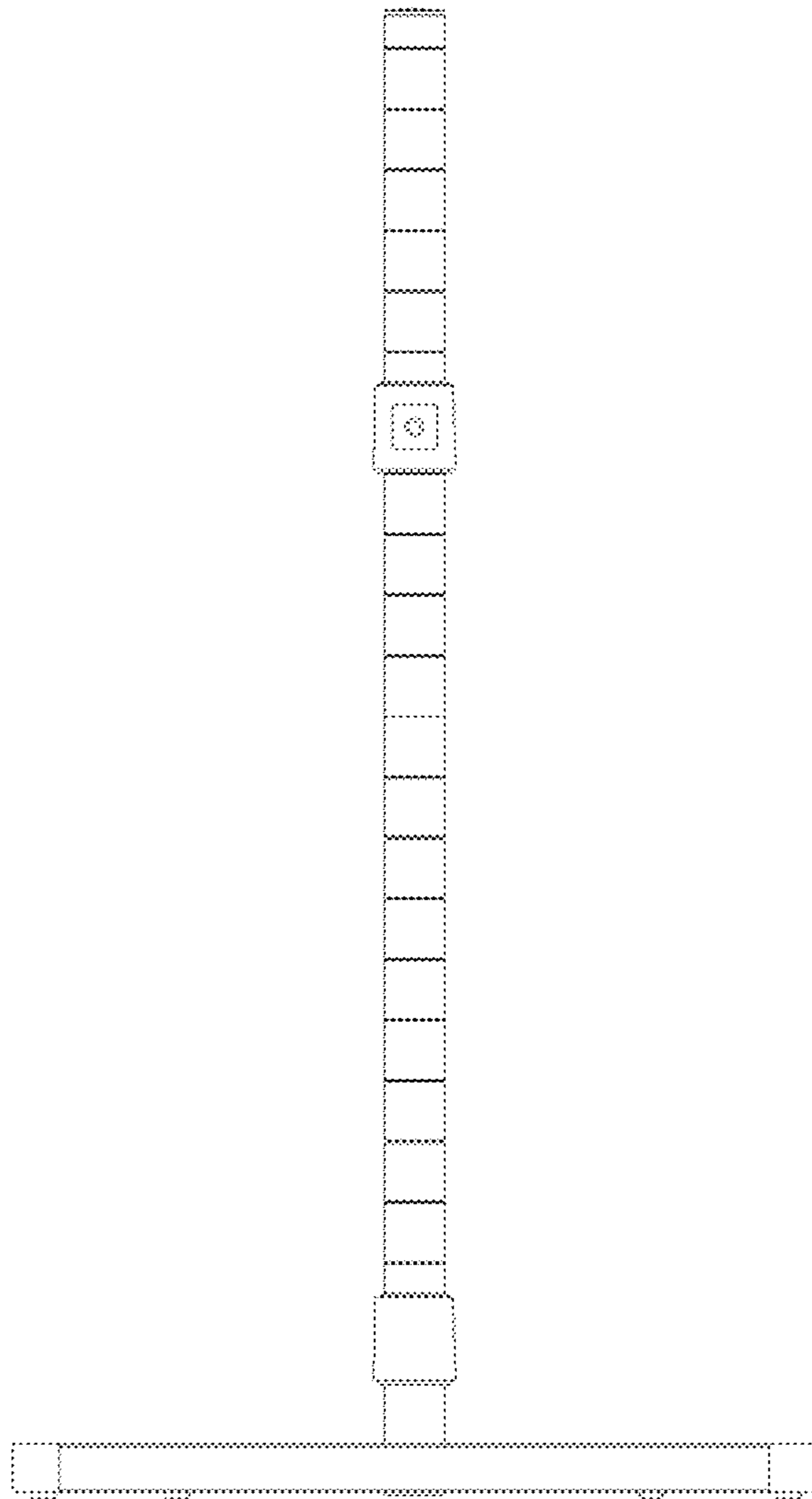


FIG. 5

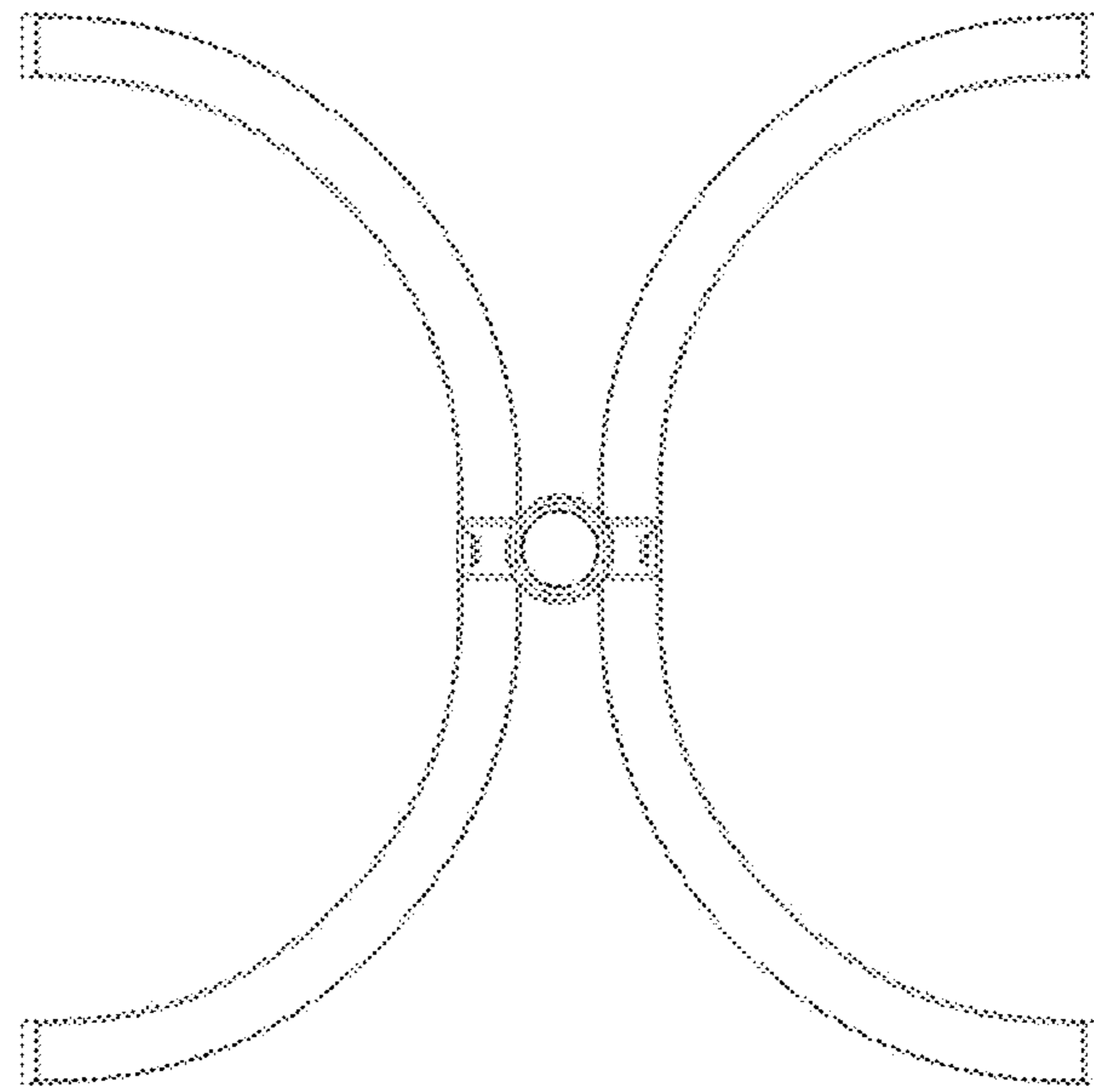


FIG. 6

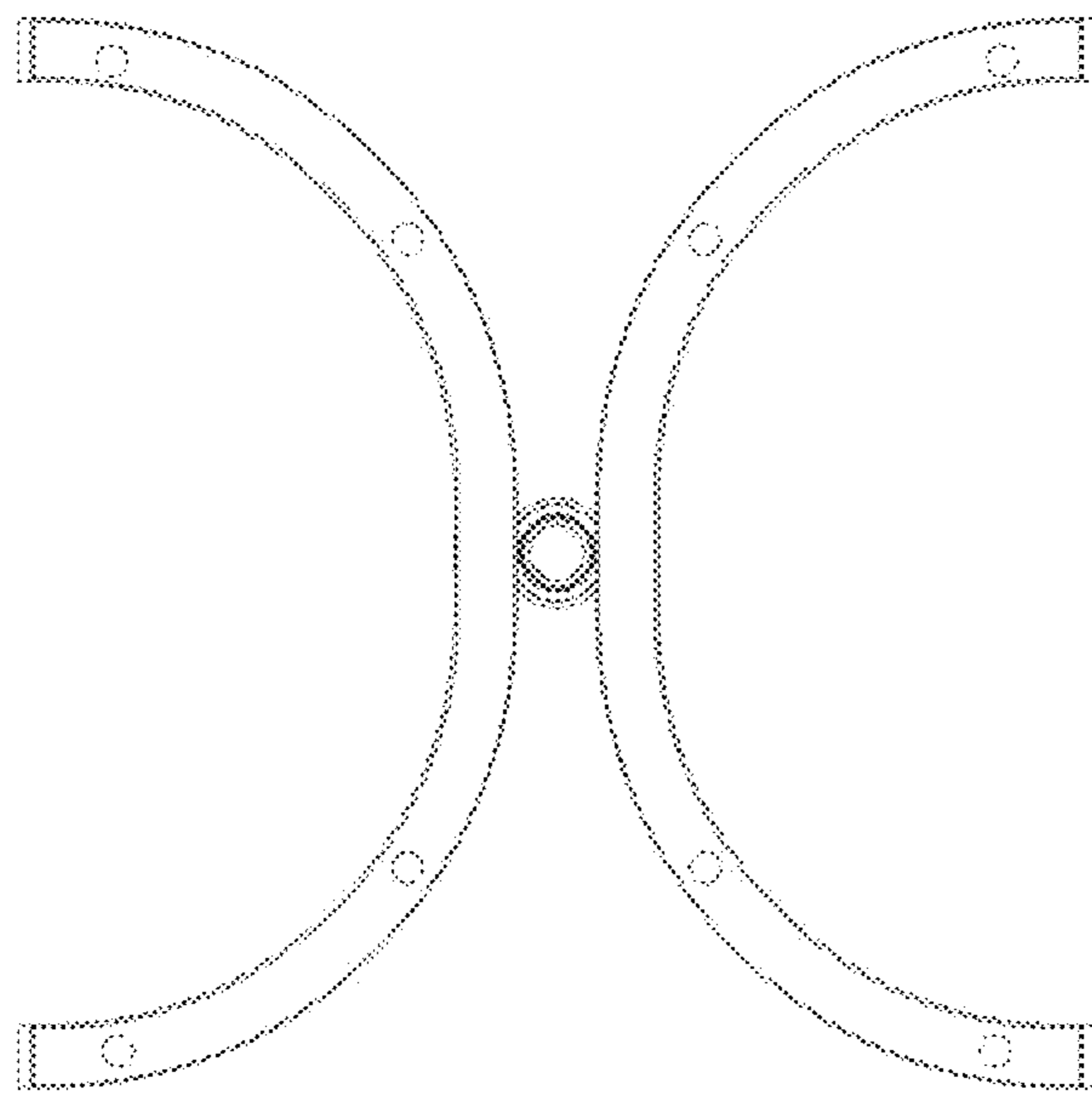


FIG. 7

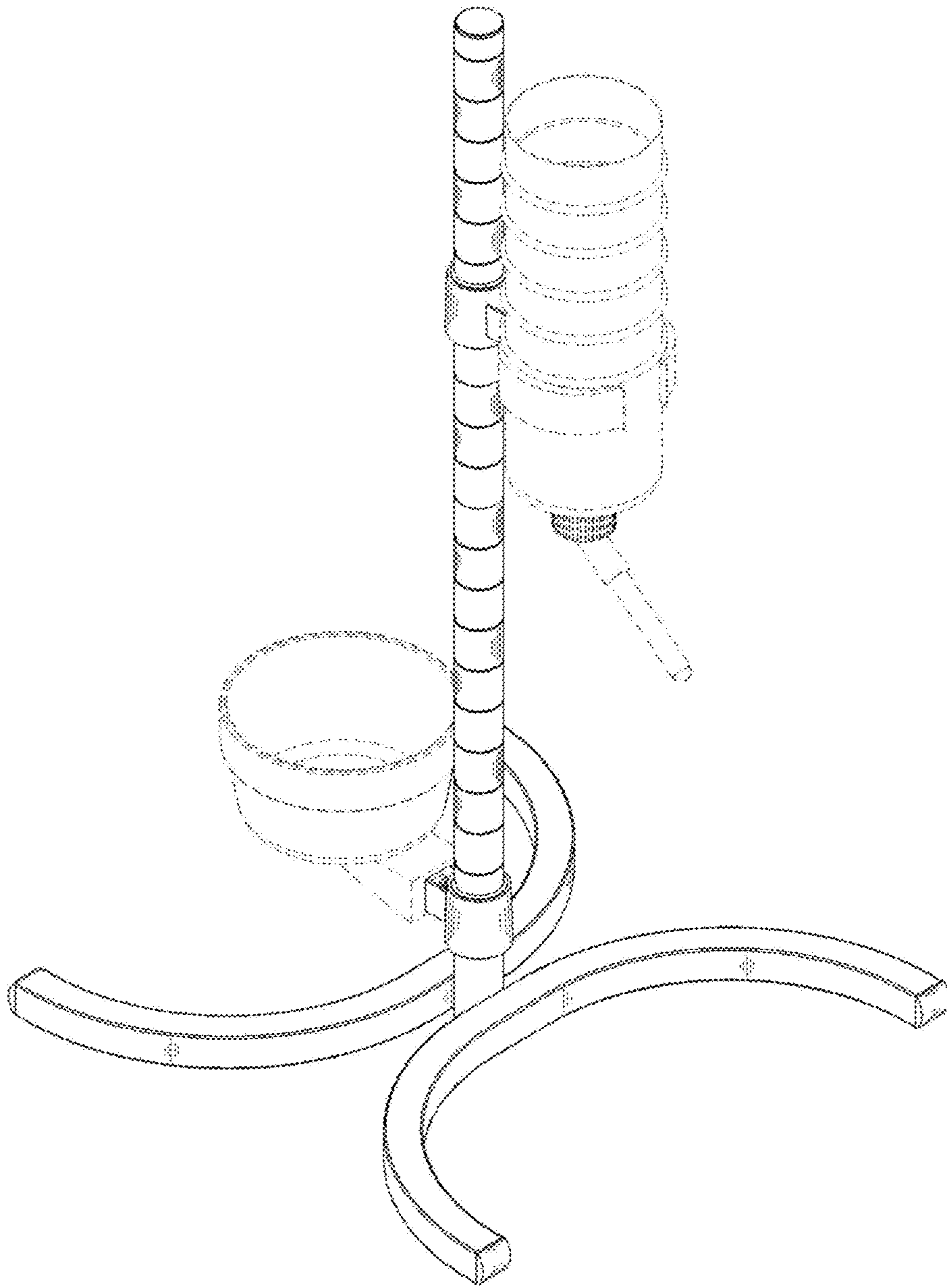


FIG. 8