



US00D720890S

(12) **United States Design Patent**
Shen

(10) **Patent No.:** **US D720,890 S**

(45) **Date of Patent:** **** Jan. 6, 2015**

(54) **COSMETIC CASE**

(71) Applicant: **Mei Shual Cosmetics Co., Ltd.**, Tainan (TW)

(72) Inventor: **Mu-Chuan Shen**, Tainan (TW)

(73) Assignee: **Mei Shual Cosmetics Co., Ltd.**, Tainan (TW)

(**) Term: **14 Years**

(21) Appl. No.: **29/454,783**

(22) Filed: **May 14, 2013**

(51) **LOC (10) Cl.** **28-03**

(52) **U.S. Cl.**
USPC **D28/82; D9/503**

(58) **Field of Classification Search**
CPC A45D 33/006; A45D 33/003; A45D 33/04-33/16; A45D 33/025; A45D 33/02; A45D 33/20; A45D 33/22; A45D 33/24; A45D 33/26; A45D 33/28; A45D 33/18; A45D 40/22; A45D 40/222; A45D 40/24; A45D 42/02
USPC D28/64.1-64.7, 76-84; 206/581, 823; 132/286-318; D9/503-505, 421, 428, D9/447; D3/901; 220/4.27

See application file for complete search history.

(56) **References Cited**

U.S. PATENT DOCUMENTS

D203,289 S *	12/1965	Oku	D7/597
D224,608 S *	8/1972	Okuhara	D28/76
D246,954 S *	1/1978	L'Europa	D9/504
D408,285 S *	4/1999	Favre	D9/503
D422,218 S *	4/2000	Ohchi et al.	D9/503
6,173,719 B1 *	1/2001	Petit	132/294
D504,979 S *	5/2005	Lai	D28/76
D554,292 S *	10/2007	Thorpe	D28/82
D696,586 S *	12/2013	Huang	D9/503
2005/0081878 A1 *	4/2005	Byun	132/294
2014/0234005 A1 *	8/2014	Park et al.	401/4

* cited by examiner

Primary Examiner — Jennifer Rivard

(74) *Attorney, Agent, or Firm* — Whyte Hirschboeck Dudek S.C.

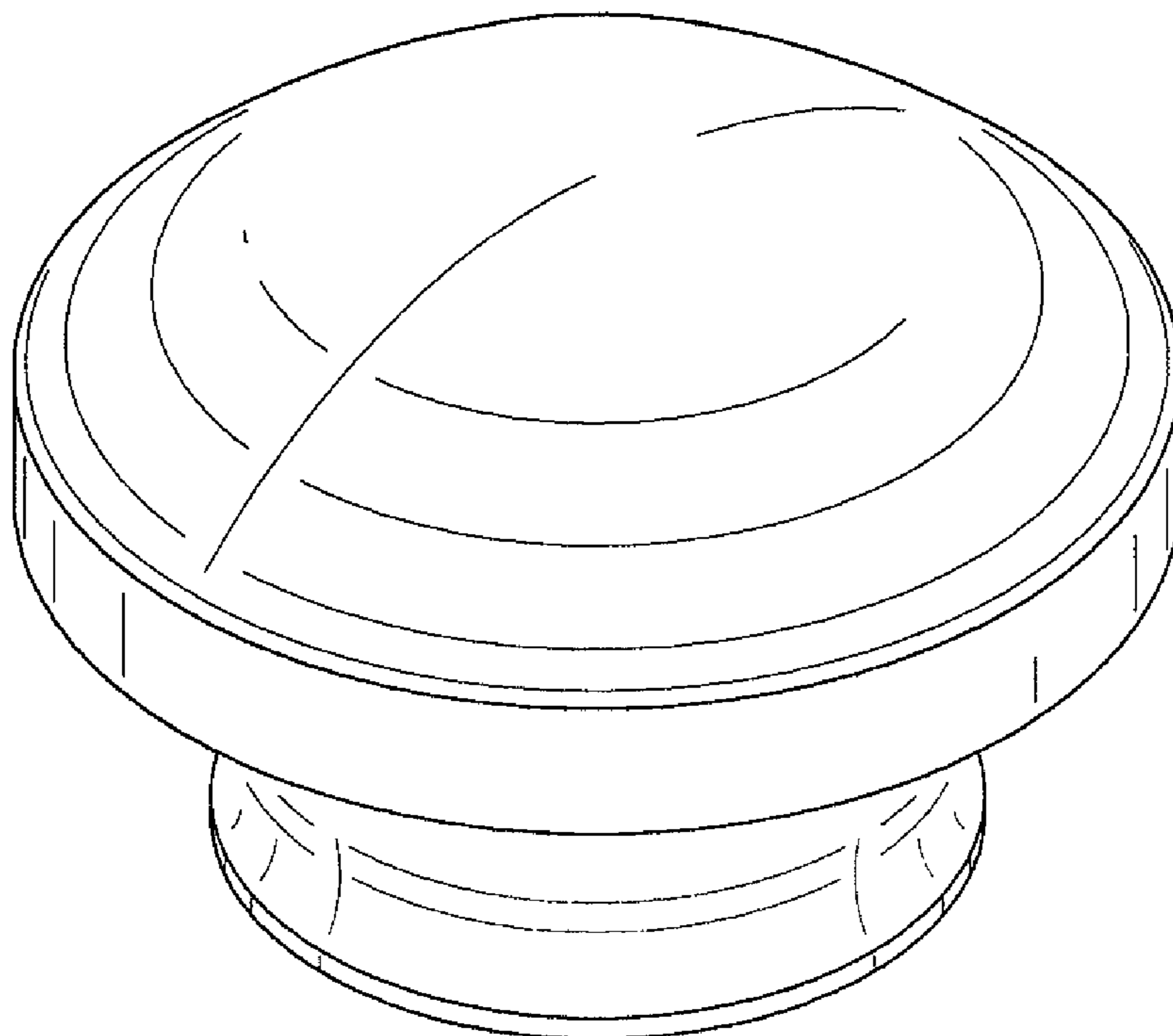
(57) **CLAIM**

The ornamental design for cosmetic case, as shown and described.

DESCRIPTION

FIG. 1 is a perspective view of cosmetic case showing my new design;
FIG. 2 is a front elevational view thereof;
FIG. 3 is a rear elevational view thereof;
FIG. 4 is a left side elevational view thereof;
FIG. 5 is a right side elevational view thereof;
FIG. 6 is a top plan view thereof; and,
FIG. 7 is a bottom plan view thereof.

1 Claim, 4 Drawing Sheets



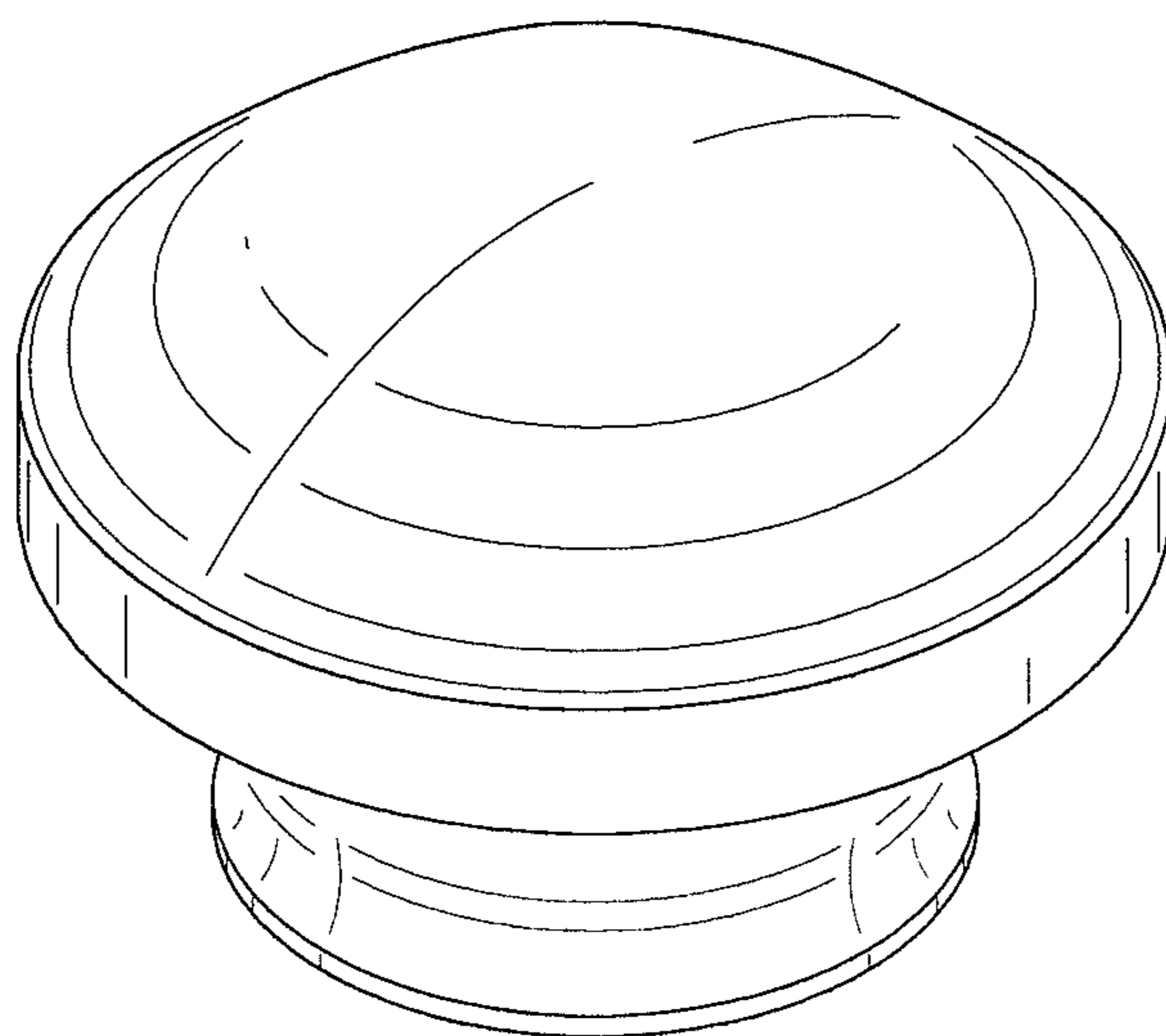


FIG. 1

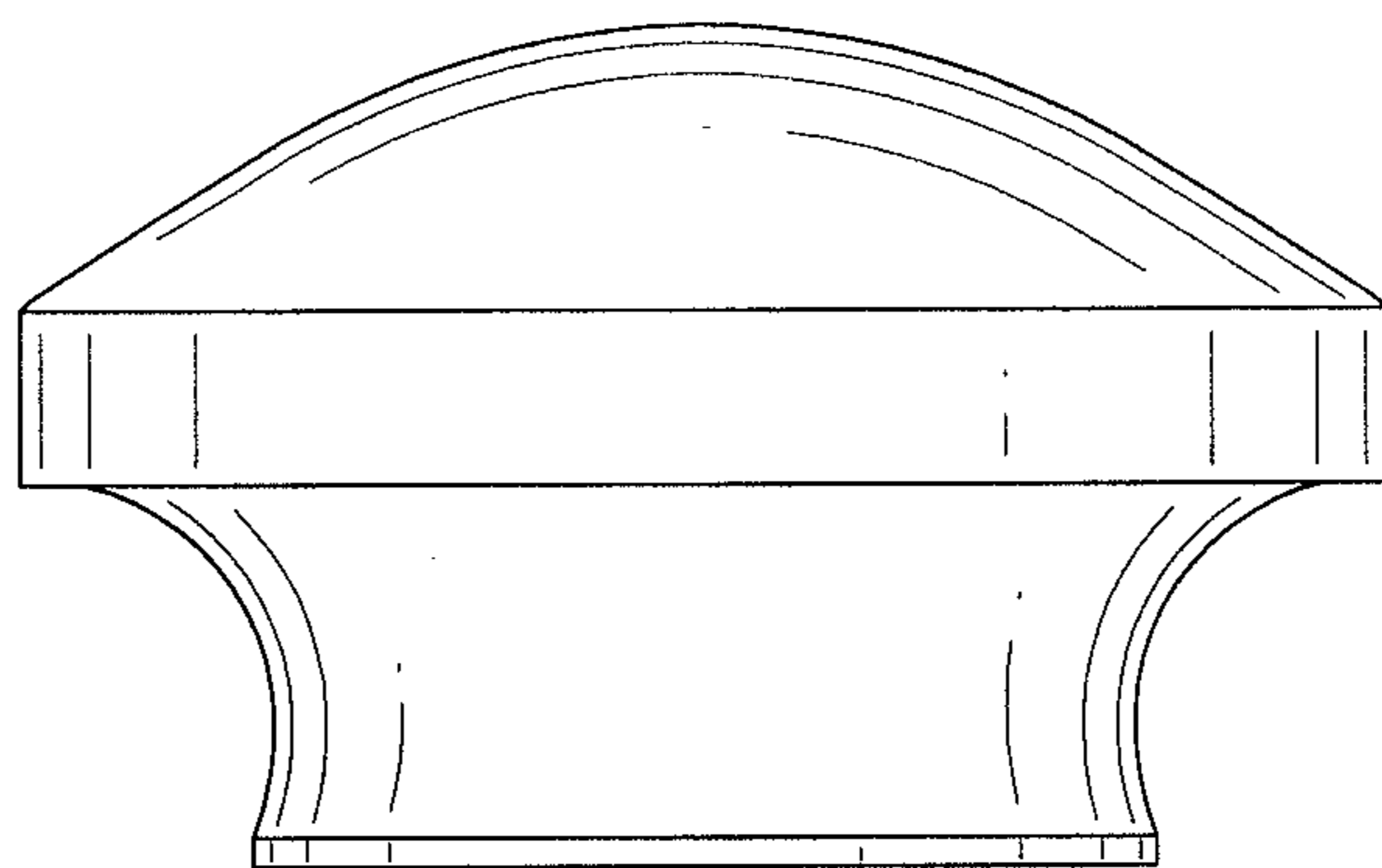


FIG. 2

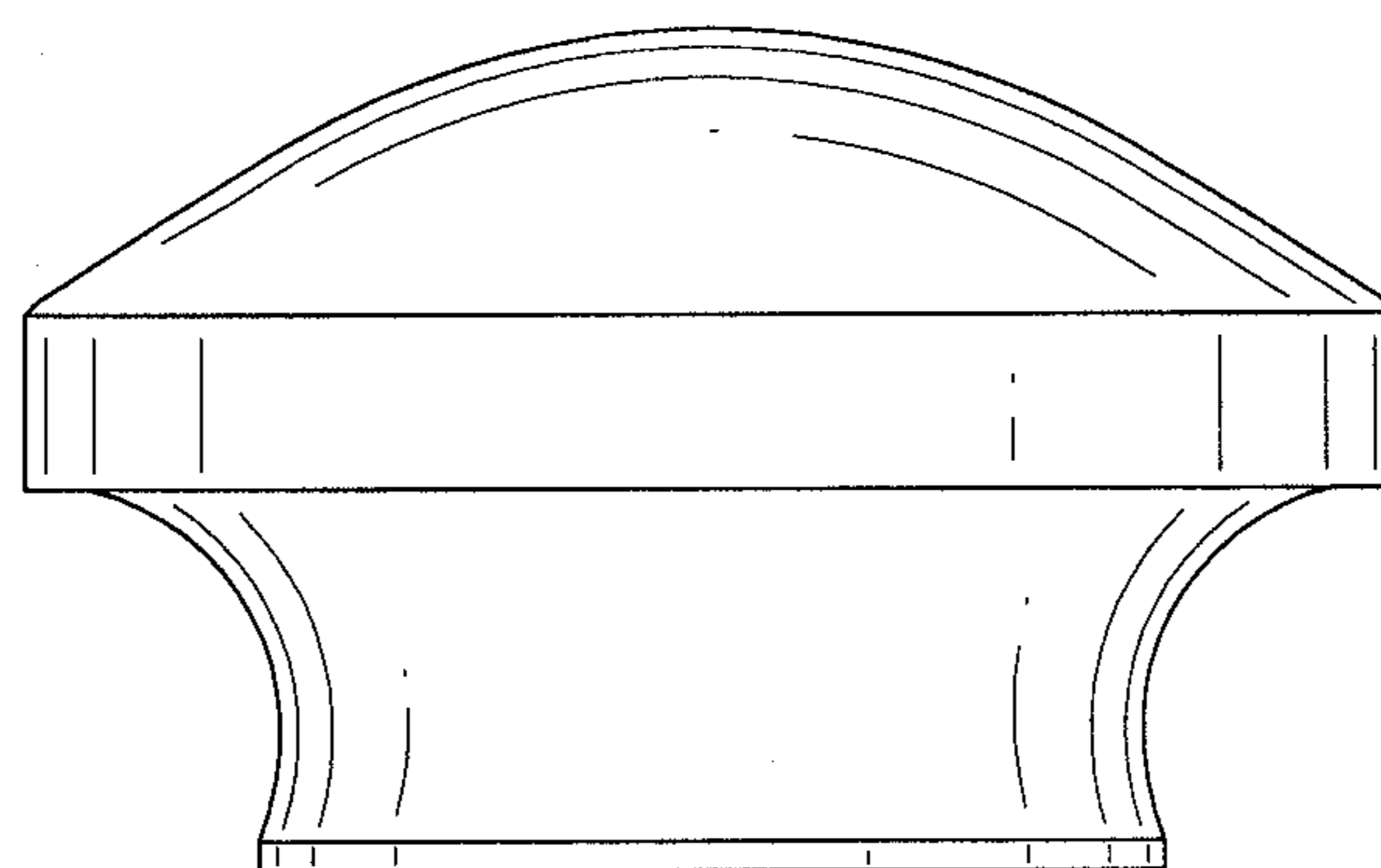


FIG. 3

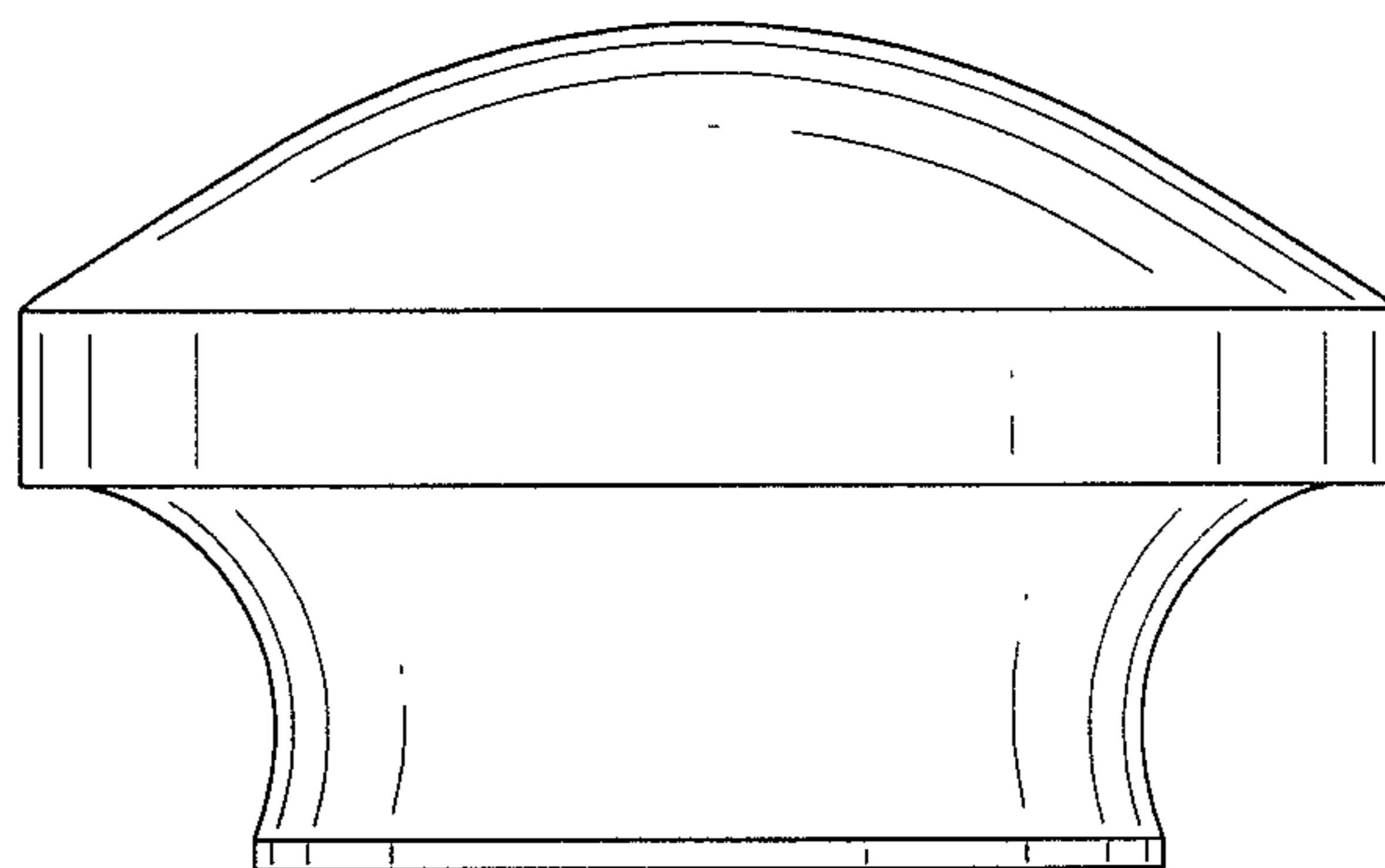


FIG. 4

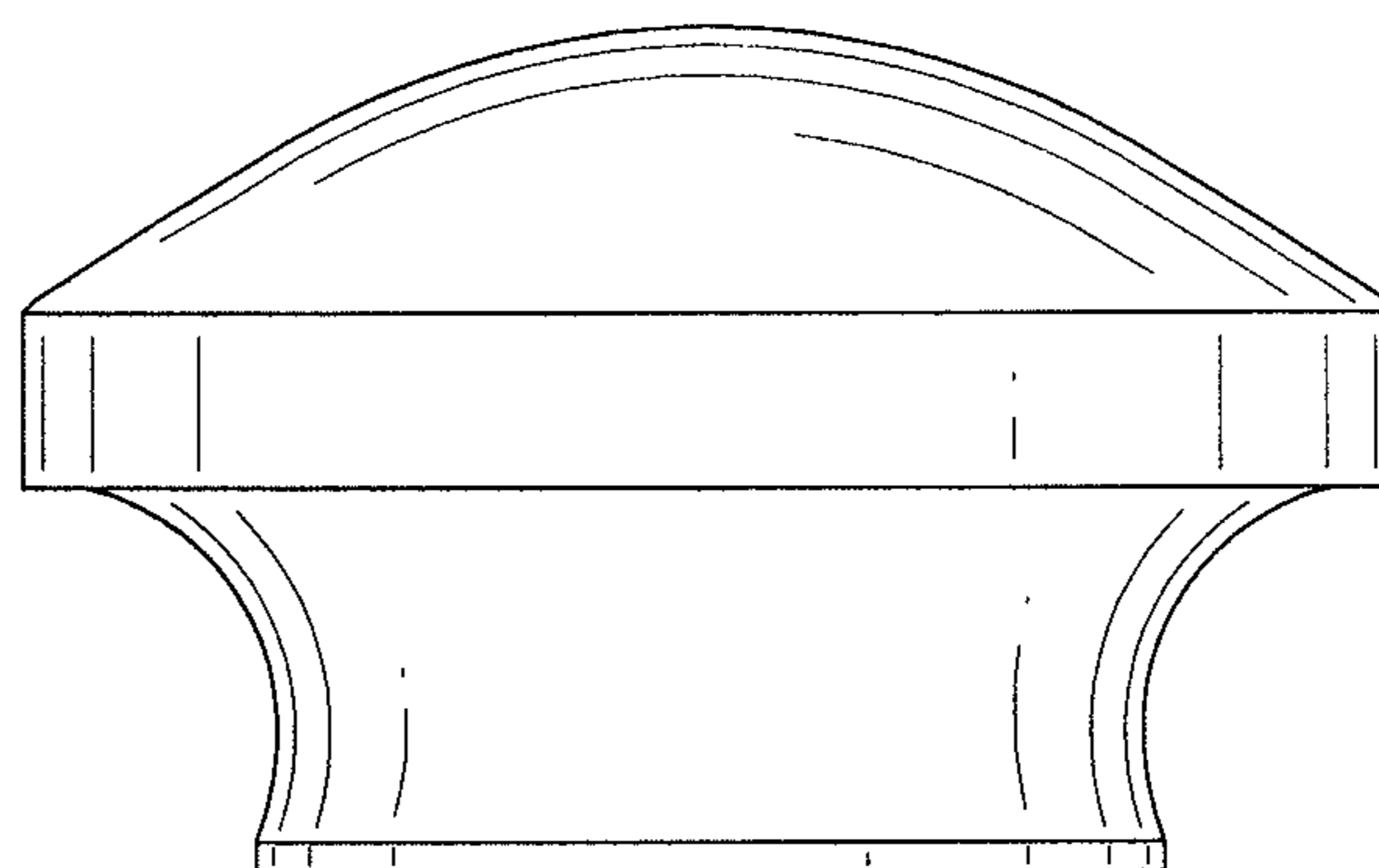


FIG. 5

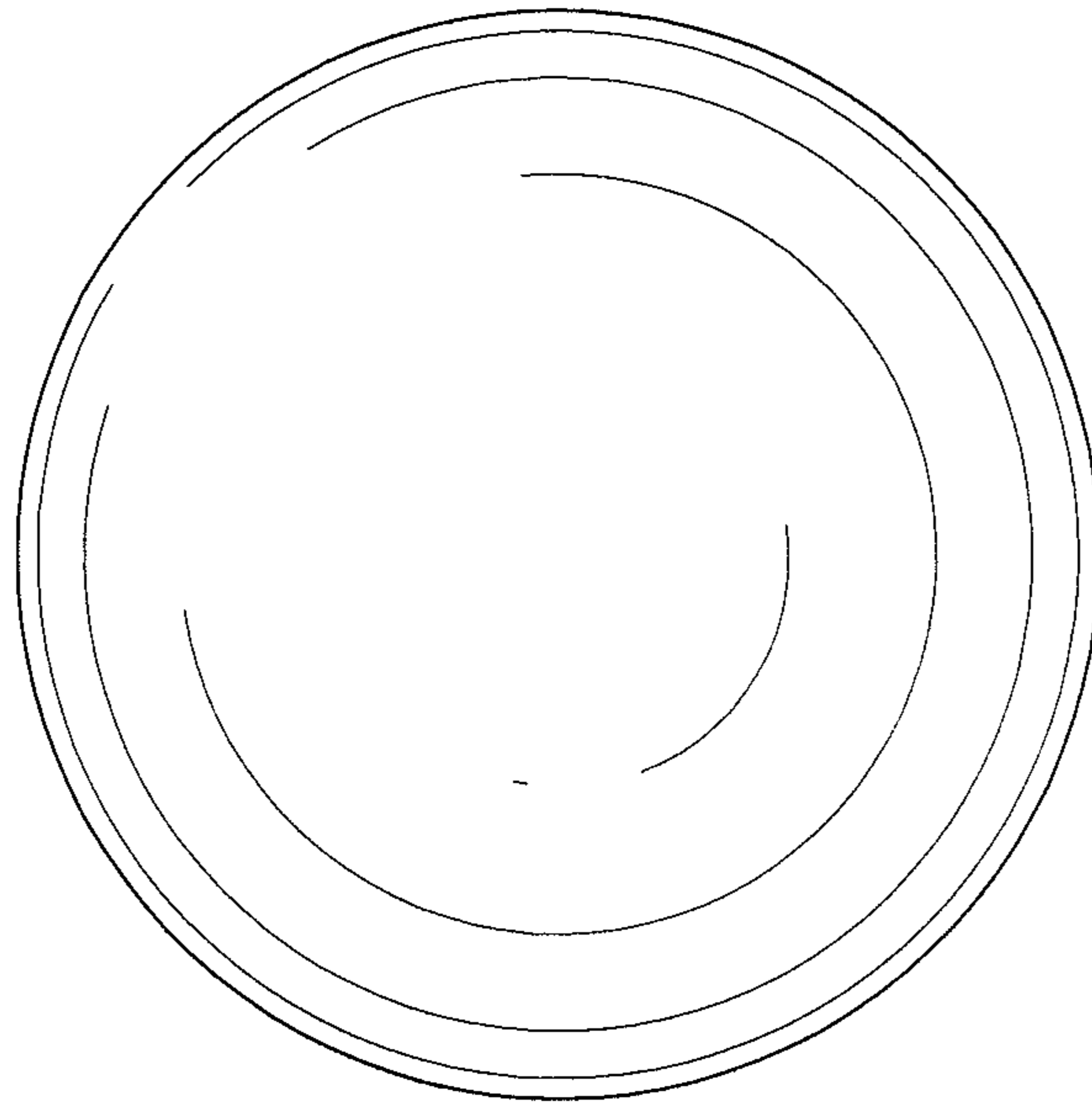


FIG. 6

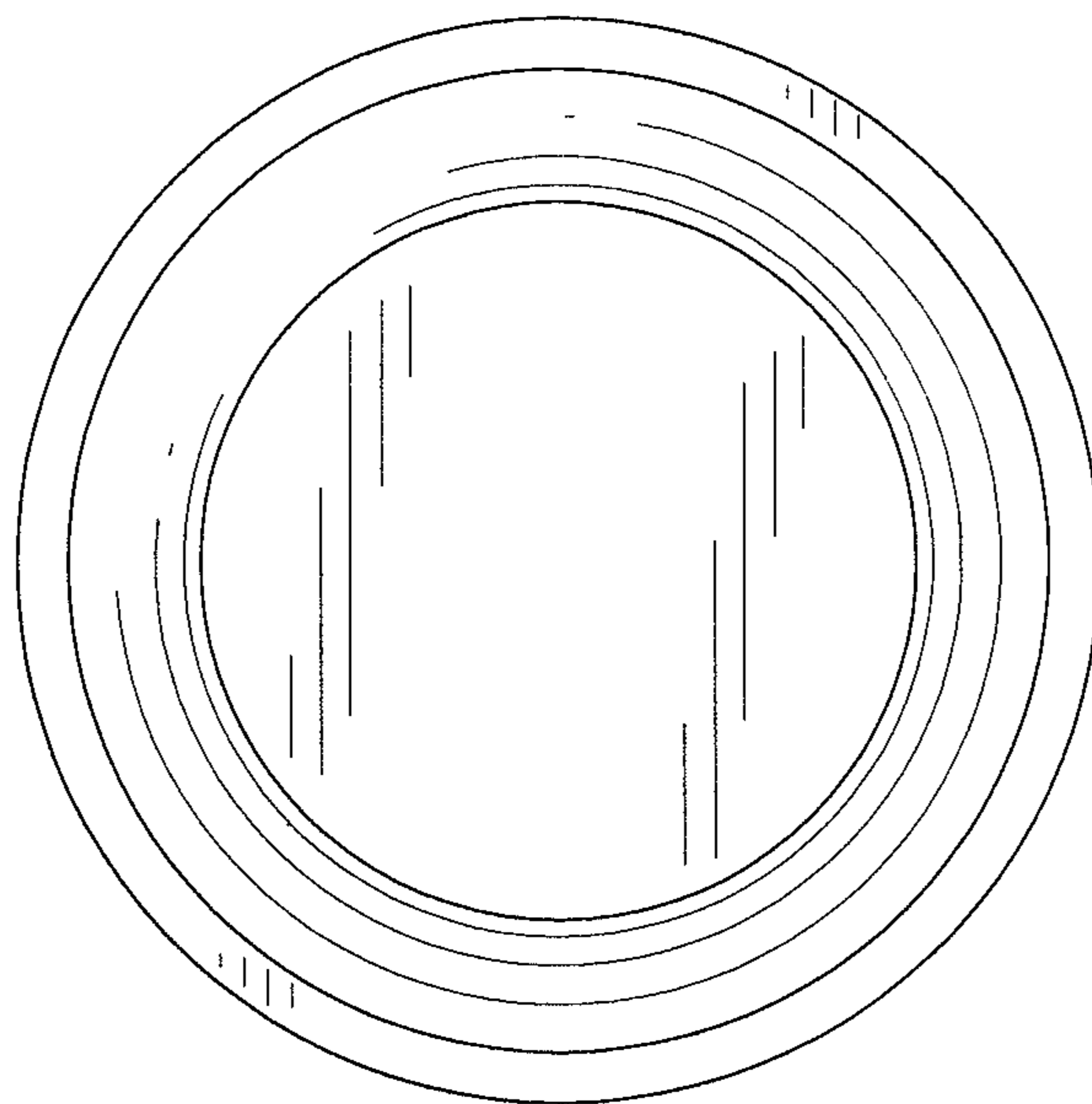


FIG. 7