



US00D720887S

(12) **United States Design Patent**
Gross

(10) **Patent No.:** **US D720,887 S**
(45) **Date of Patent:** **** Jan. 6, 2015**

(54) **HAIR TRIMMER HOUSING**
(71) Applicant: **Andis Company**, Sturtevant, WI (US)
(72) Inventor: **Jeffrey D. Gross**, Kenosha, WI (US)
(73) Assignee: **Andis Company**, Sturtevant, WI (US)
(**) Term: **14 Years**

(21) Appl. No.: **29/457,371**
(22) Filed: **Jun. 10, 2013**
(51) **LOC (10) Cl.** **28-03**
(52) **U.S. Cl.**
USPC **D28/53**
(58) **Field of Classification Search**
USPC D28/49-54, 44-48; 30/34.05, 32, 34.1,
30/34.2, 43-43.92, 526-527, 44-45, 341,
30/195-22, 272.1, 226-227, 231,
30/233-233.5
See application file for complete search history.

(56) **References Cited**
U.S. PATENT DOCUMENTS
D586,955 S * 2/2009 Eigenstetter et al. D28/53
D604,907 S * 11/2009 Emminger D28/53
D606,259 S * 12/2009 Emminger D28/53
D626,693 S * 11/2010 Harbeke D28/53

D655,862 S * 3/2012 Scheunert et al. D28/53
D675,781 S * 2/2013 Whittaker et al. D28/53
D681,276 S * 4/2013 Colle D28/53
D682,471 S * 5/2013 Yde et al. D28/53
D684,319 S * 6/2013 Wan D28/54
8,453,333 B2 * 6/2013 Long et al. 30/210
D698,083 S * 1/2014 Werner D28/53
D705,485 S * 5/2014 Lin D28/53
2011/0289777 A1 * 12/2011 Quan et al. 30/43.92

* cited by examiner

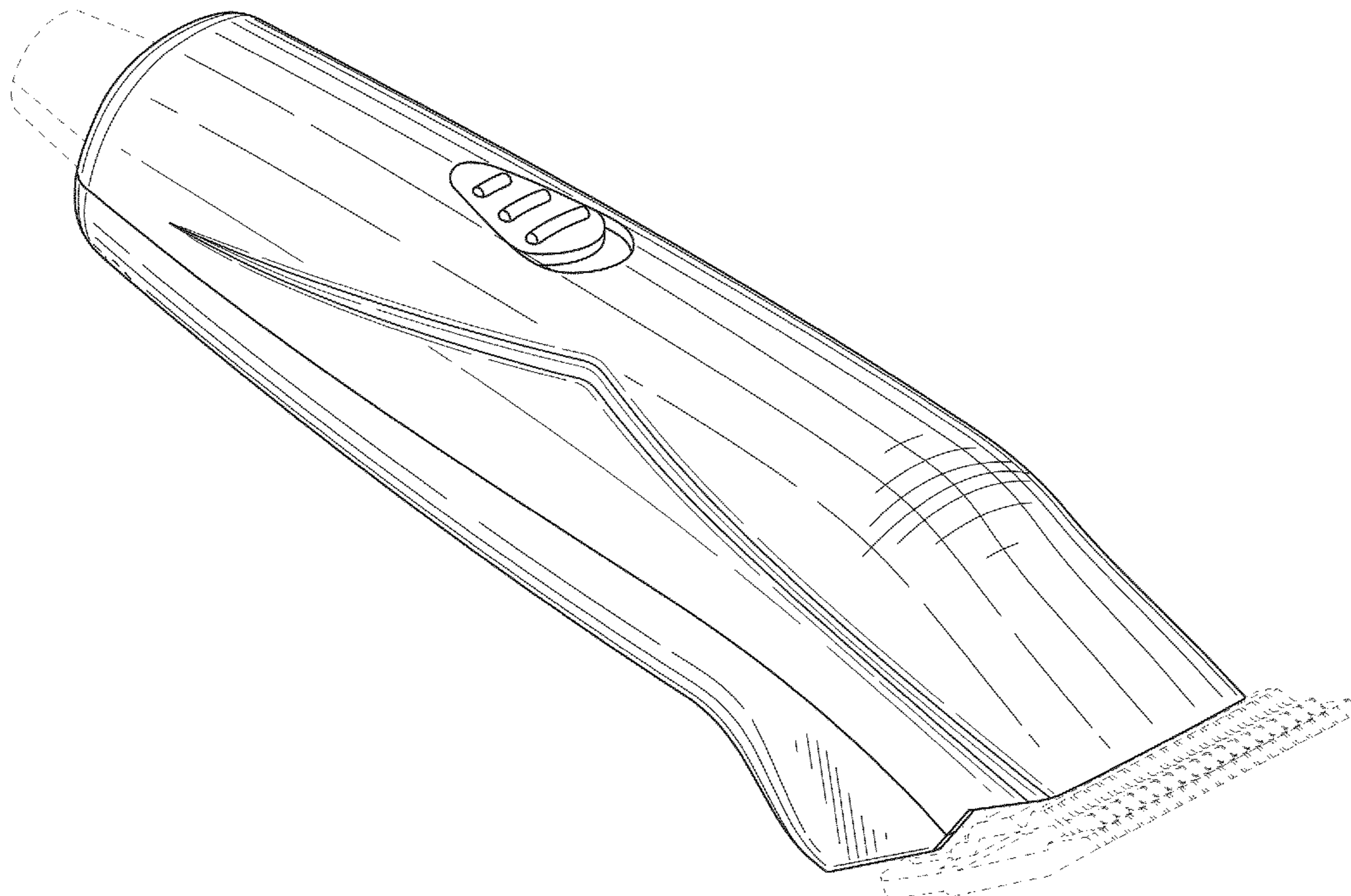
Primary Examiner — Jennifer Rivard
(74) *Attorney, Agent, or Firm* — Michael Best & Friedrich LLP

(57) **CLAIM**
I claim the ornamental design for a hair trimmer housing, as shown and described.

DESCRIPTION

FIG. 1 is a perspective view of a hair trimmer housing.
FIG. 2 is a right side view of the design shown in FIG. 1.
FIG. 3 is a left side view of the design shown in FIG. 1.
FIG. 4 is a front view of the design shown in FIG. 1.
FIG. 5 is a rear view of the design shown in FIG. 1.
FIG. 6 is a top view of the design shown in FIG. 1; and,
FIG. 7 is a bottom view of the design shown in FIG. 1.
The present application is directed to the shape and contour of the design illustrated in the drawings. The broken lines showing the environment are for illustrative purposes only and form no part of the claimed design.

1 Claim, 6 Drawing Sheets



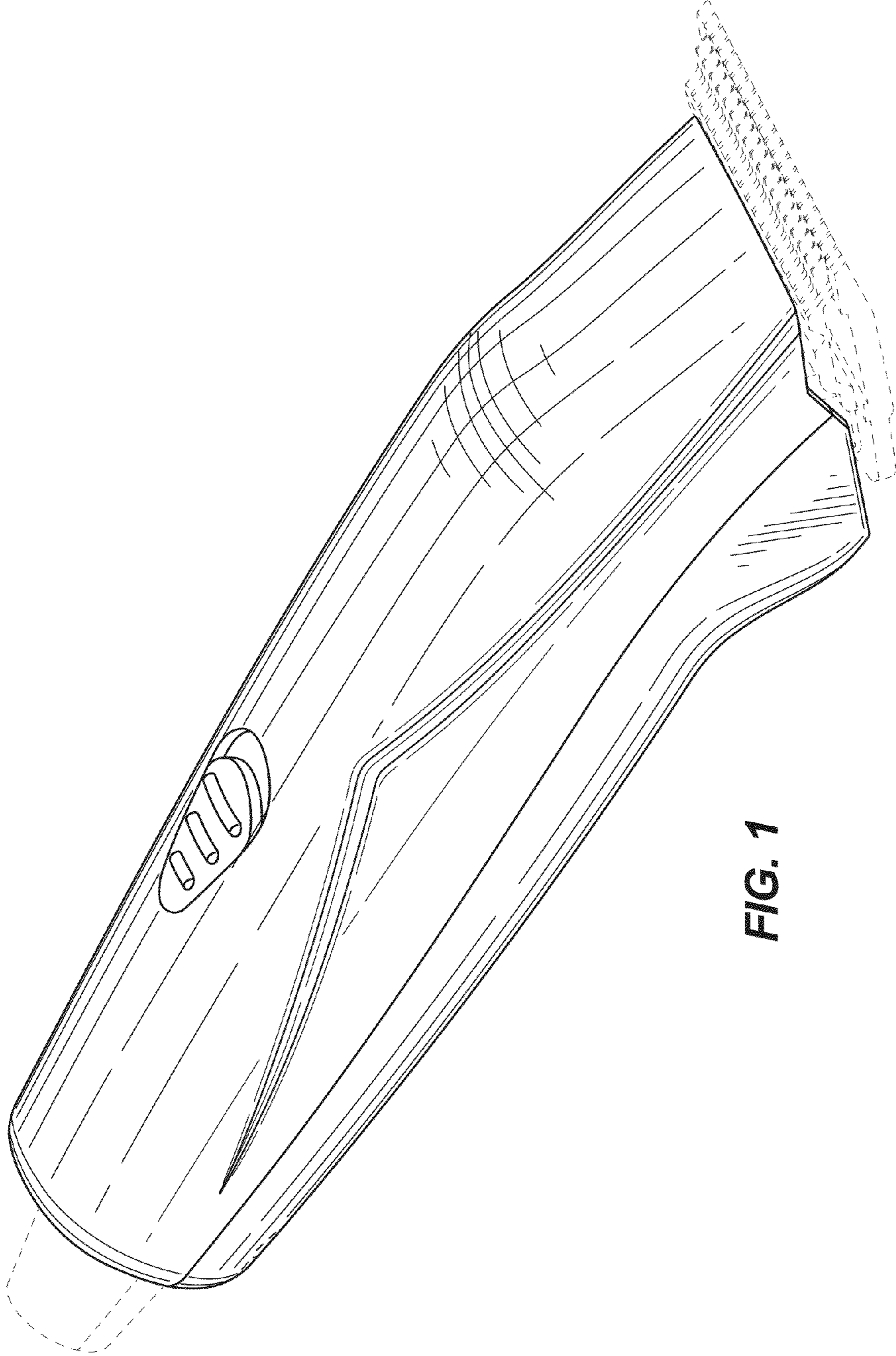


FIG. 1

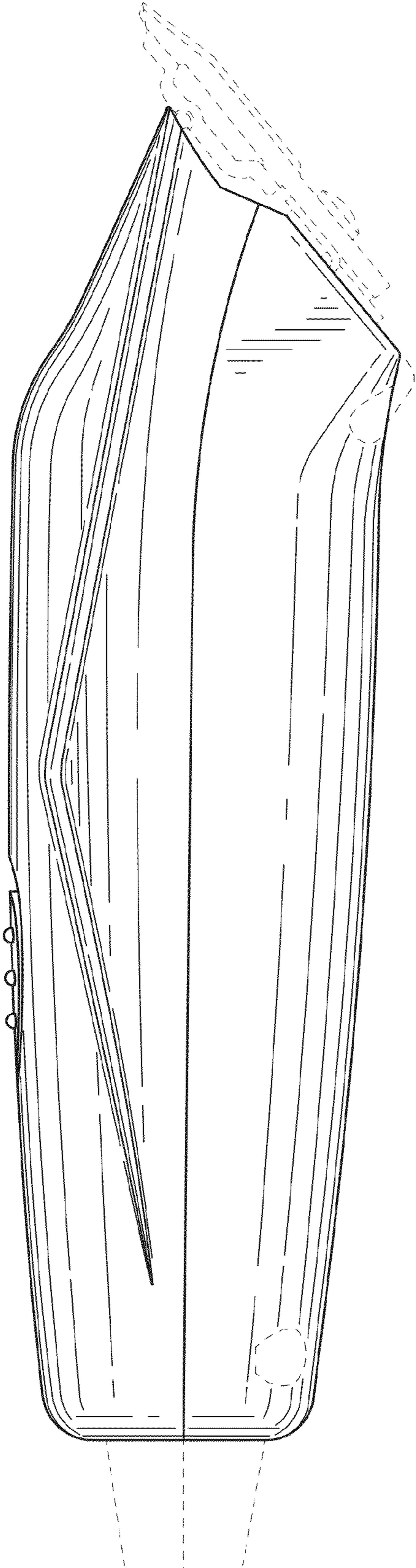


FIG. 2



FIG. 3

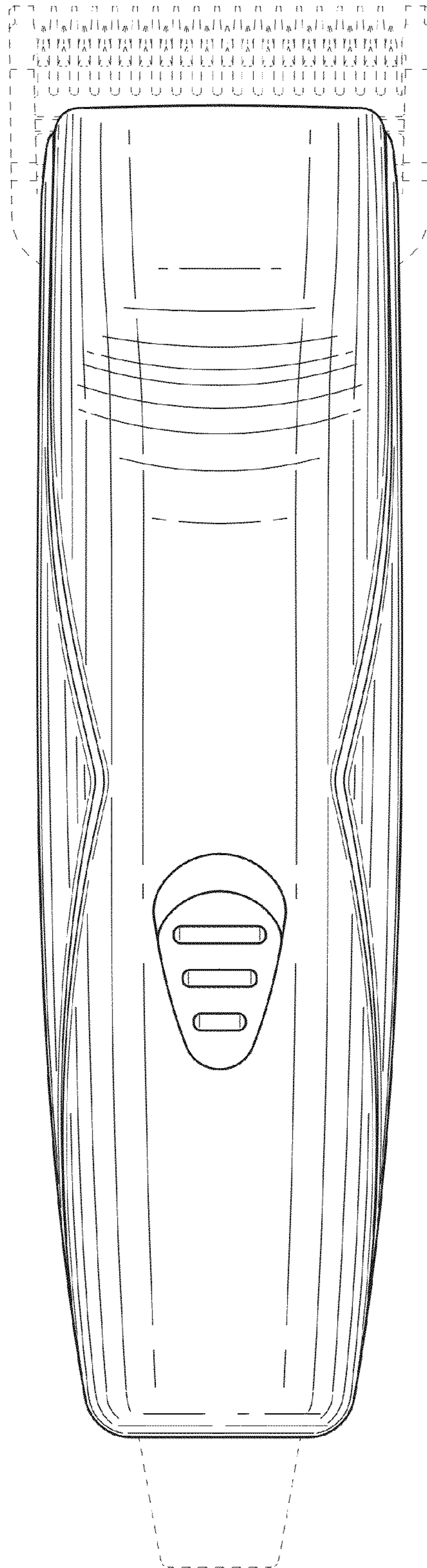


FIG. 4

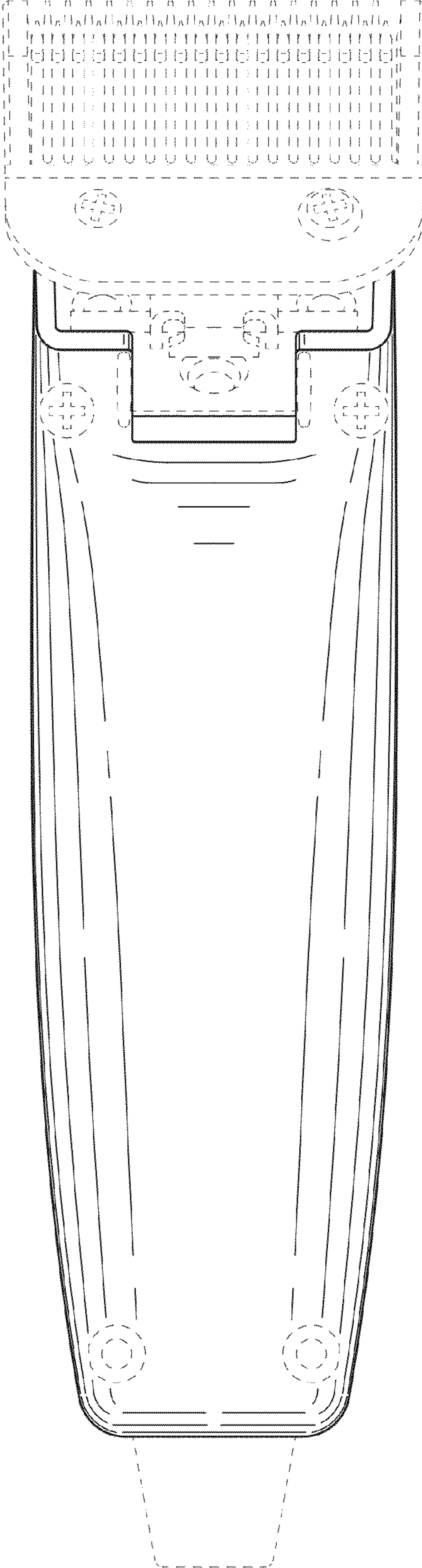


FIG. 5

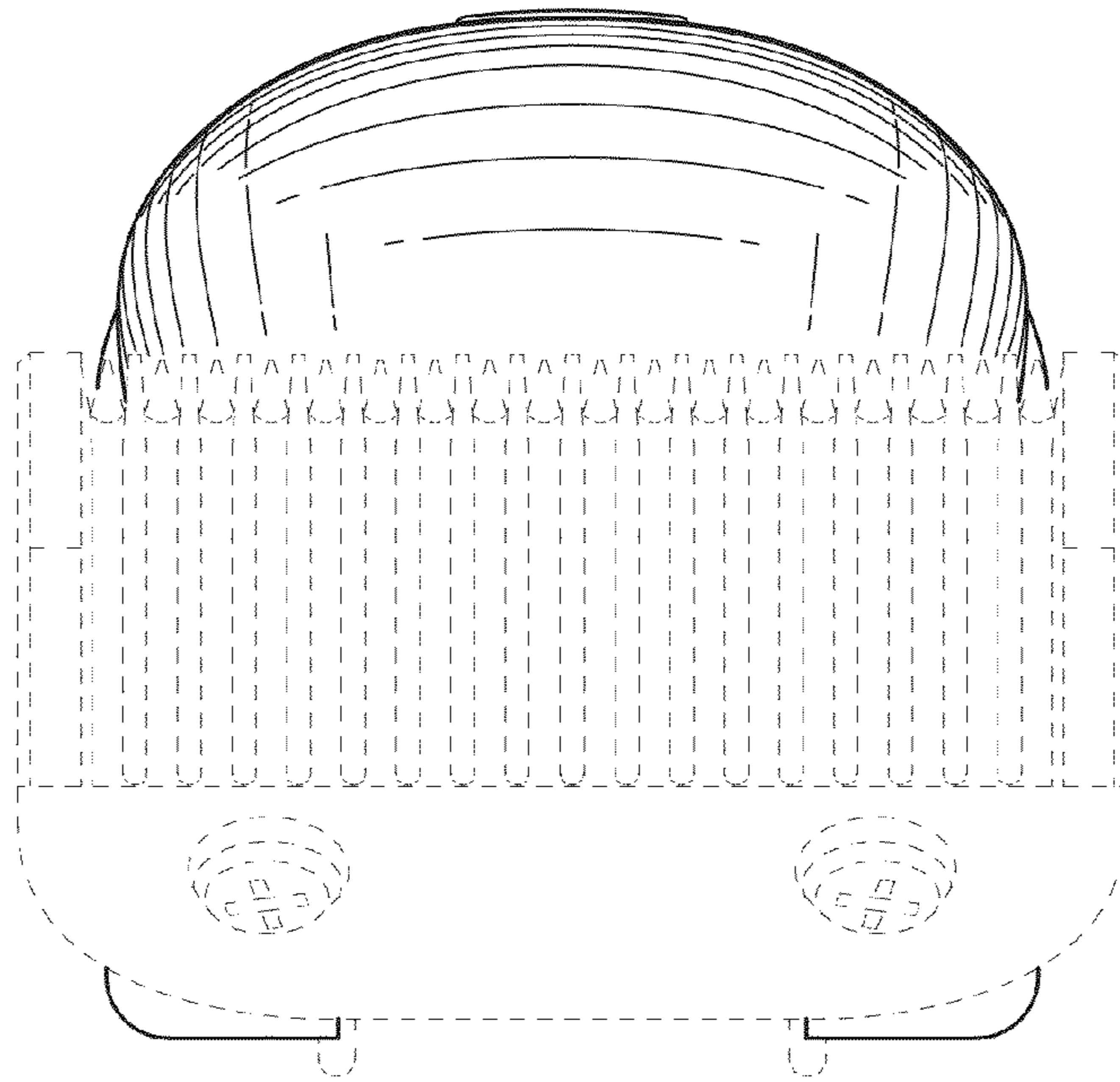


FIG. 6

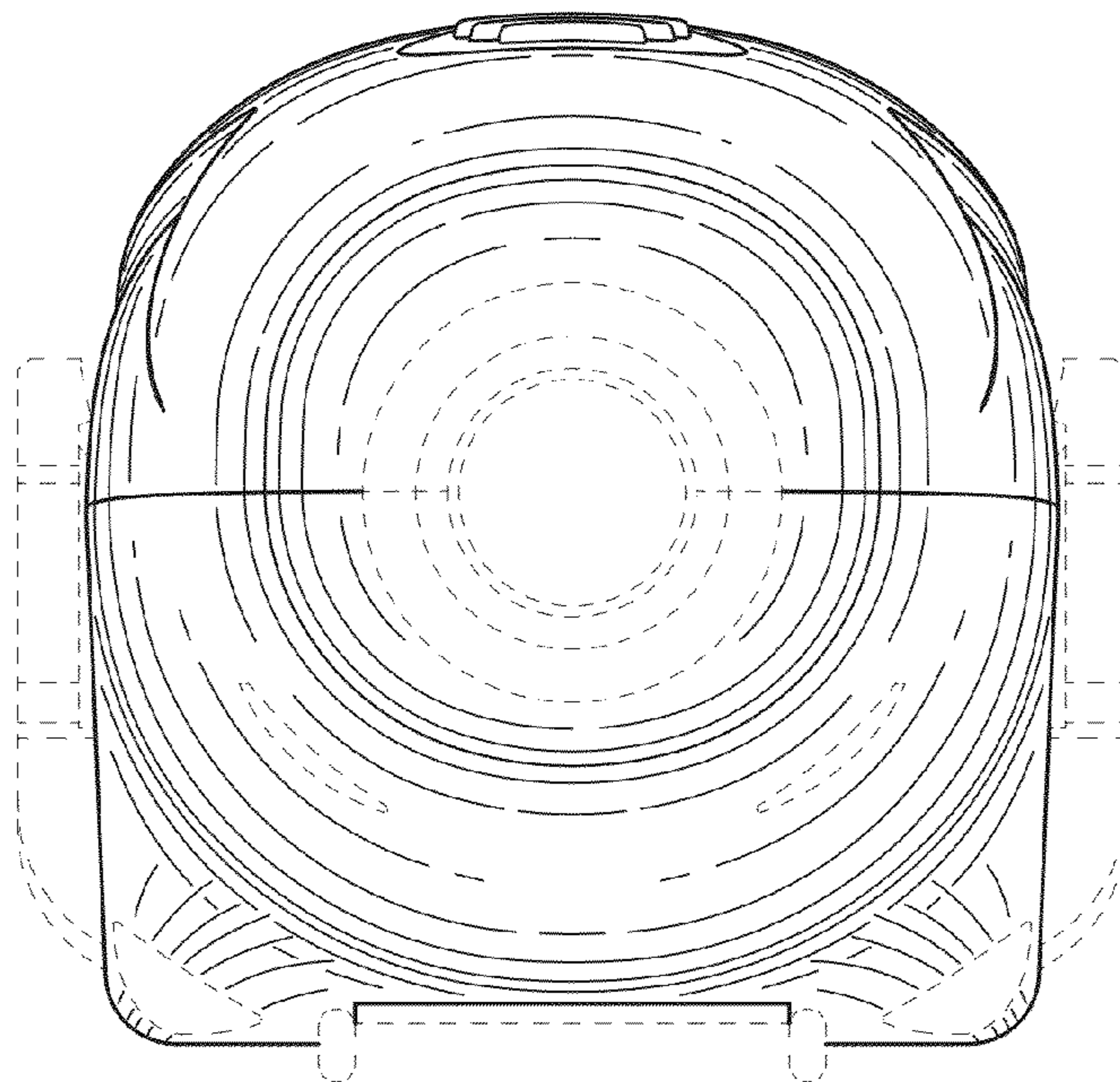


FIG. 7