

US00D720883S

(12) **United States Design Patent**
Albanese

(10) **Patent No.:** **US D720,883 S**
(45) **Date of Patent:** **** Jan. 6, 2015**

(54) **ATOMIZER**

(71) Applicant: **Brett Matthew Albanese**, Los Angeles, CA (US)

(72) Inventor: **Brett Matthew Albanese**, Los Angeles, CA (US)

(73) Assignee: **Full Circle Enterprises, LLC**, Los Angeles, CA (US)

(**) Term: **14 Years**

(21) Appl. No.: **29/484,337**

(22) Filed: **Mar. 7, 2014**

(51) **LOC (10) Cl.** **27-01**

(52) **U.S. Cl.**
USPC **D27/101; D27/163**

(58) **Field of Classification Search**
CPC A24F 1/02; A24F 1/04; A24F 1/06;
A24F 1/08; A24F 1/10; A24F 1/12; A24F
1/14; A24F 1/22; A24F 9/16; A24F
47/002–47/008; A24F 1/30; A24F 47/00
USPC D27/100–101, 106, 143, 152, 161–172,
D27/183–184, 187, 189, 190, 193–194;
131/220–222, 226, 173, 174, 194,
131/328–330, 270, 273; D7/584, 585;
D9/500, 502; D11/143, 144, 146, 152;
D24/110.5

See application file for complete search history.

(56) **References Cited**

U.S. PATENT DOCUMENTS

D583,095 S * 12/2008 Plank D27/101
D624,238 S * 9/2010 Turner D27/101

D642,330 S * 7/2011 Turner D27/101
D644,375 S * 8/2011 Zhou D27/101
D653,803 S * 2/2012 Timmermans D27/163
D687,181 S * 7/2013 Goch D27/101
D688,416 S * 8/2013 Liu D27/101
D693,053 S * 11/2013 Chen D27/101
D695,450 S * 12/2013 Benassayag et al. D27/163
D707,389 S * 6/2014 Liu D27/194
2012/0260926 A1 * 10/2012 Tu et al. 131/329
2013/0068239 A1 * 3/2013 Youn 131/273
2013/0152922 A1 * 6/2013 Benassayag et al. 128/202.21

* cited by examiner

Primary Examiner — Susan Bennett Hattan

Assistant Examiner — Janice Hallmark

(74) *Attorney, Agent, or Firm* — Lewis Brisbois Bisgaard & Smith LLP

(57) **CLAIM**

The ornamental design for an atomizer, as shown and described.

DESCRIPTION

FIG. 1 is a top perspective view of the atomizer of the present invention;

FIG. 2 is a top view of the atomizer shown in FIG. 1;

FIG. 3 is a bottom view of the atomizer shown in FIG. 1;

FIG. 4 is a left side view of the atomizer shown in FIG. 1;

FIG. 5 is a right side view of the atomizer shown in FIG. 1;

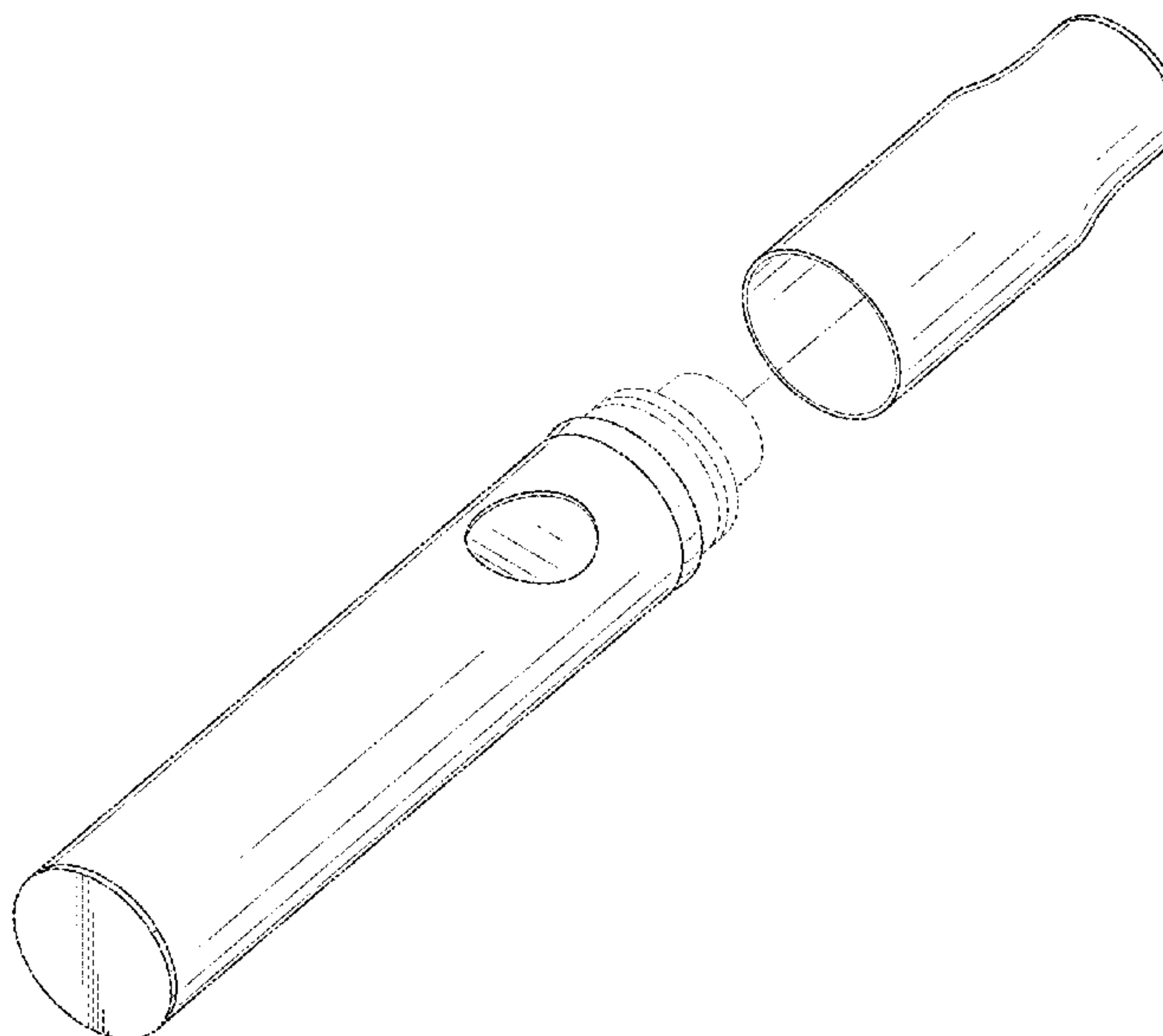
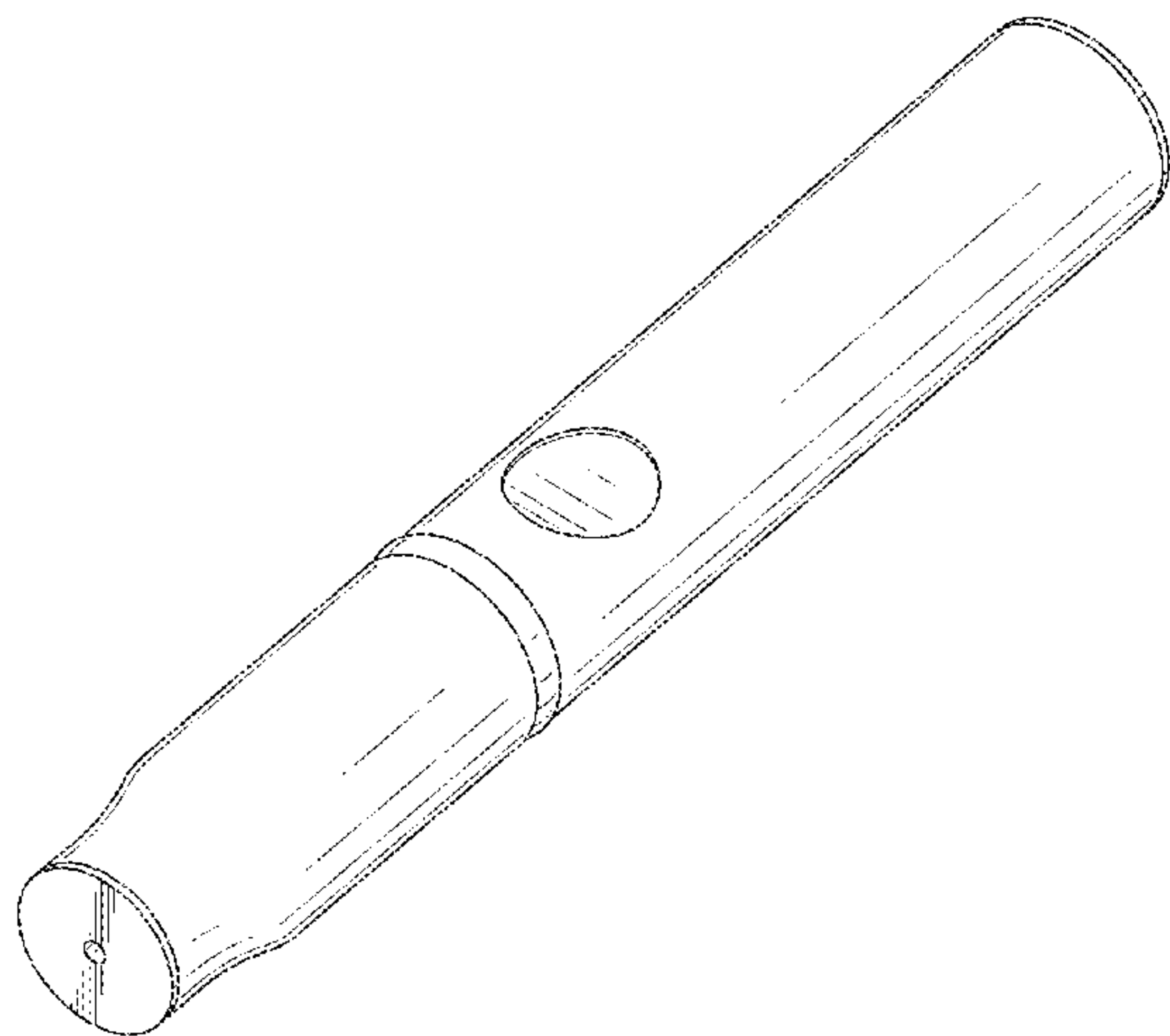
FIG. 6 is a front view of the atomizer shown in FIG. 1;

FIG. 7 is a rear view of the atomizer shown in FIG. 1; and,

FIG. 8 is an exploded view of the atomizer shown in FIG. 1.

The broken lines in the drawings illustrate portions of the atomizer and form no part of the claimed design.

1 Claim, 2 Drawing Sheets



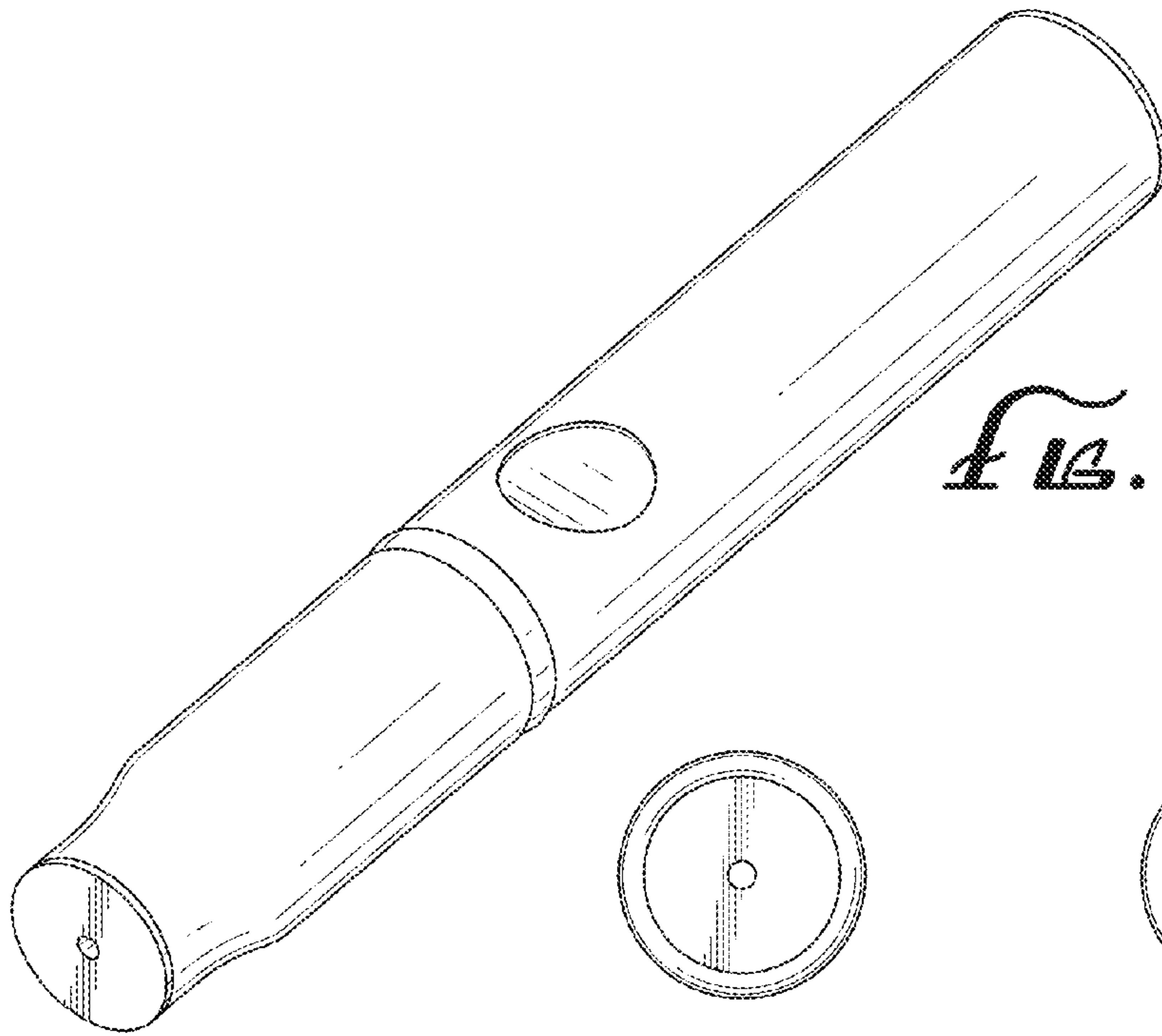


FIG. 1

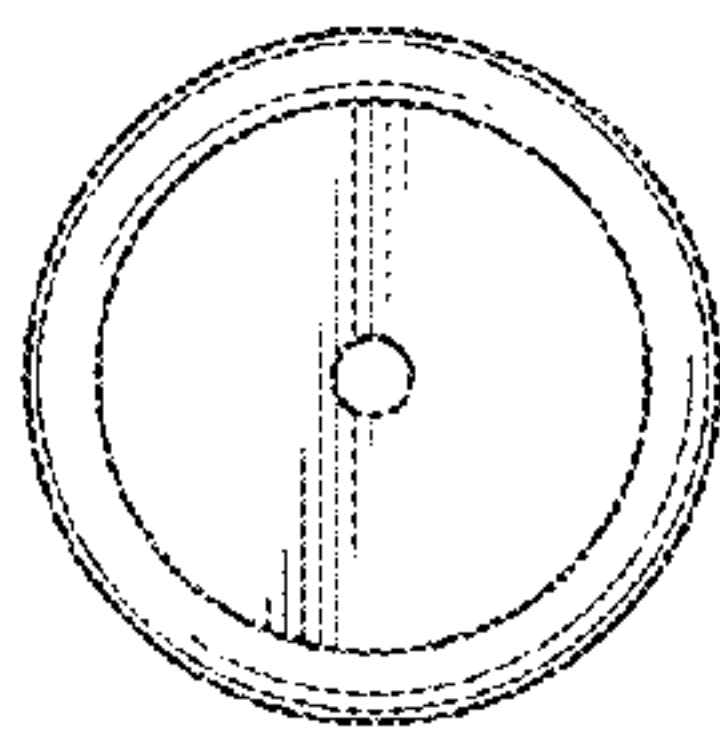


FIG. 2

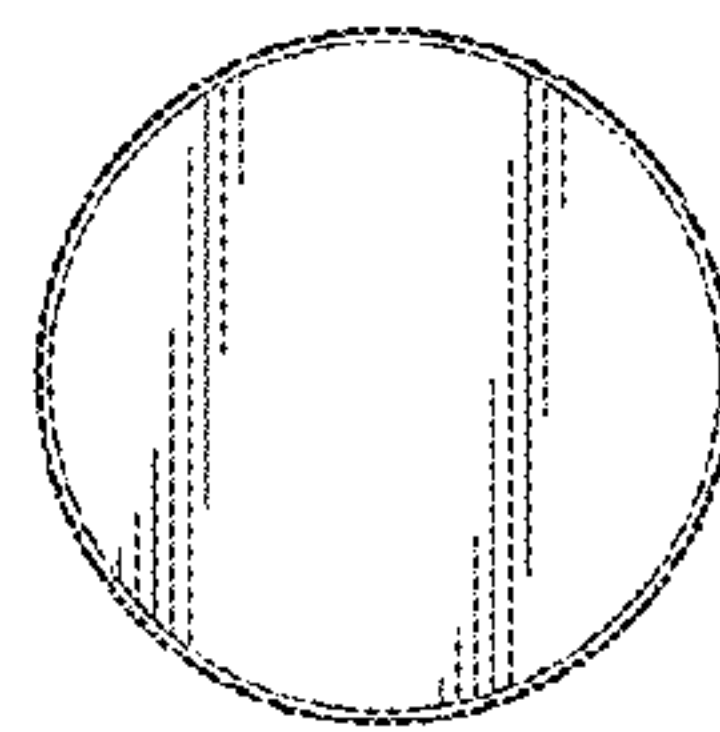


FIG. 3

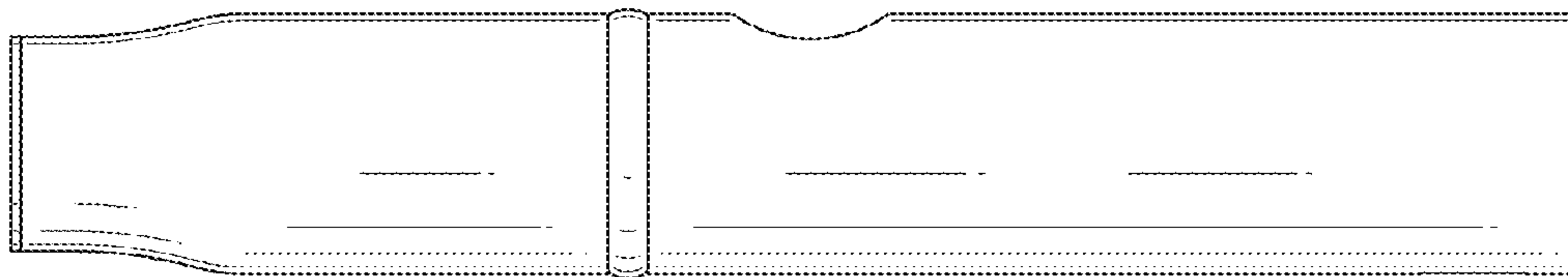


FIG. 4

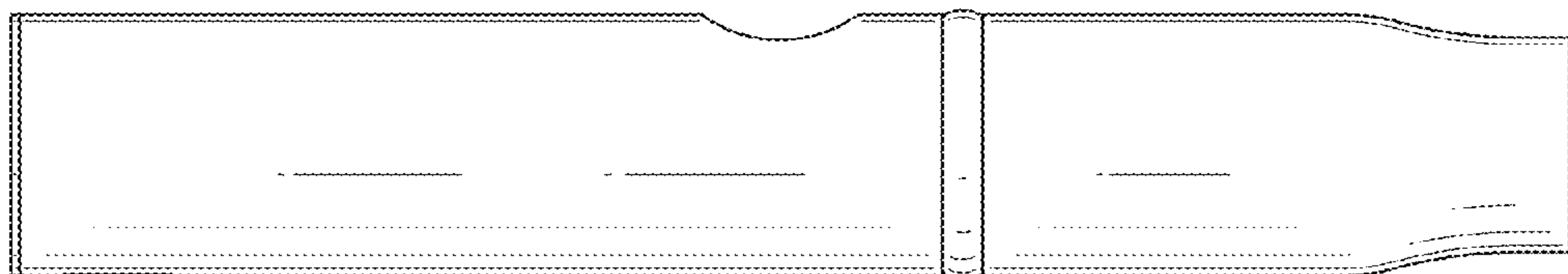


FIG. 5

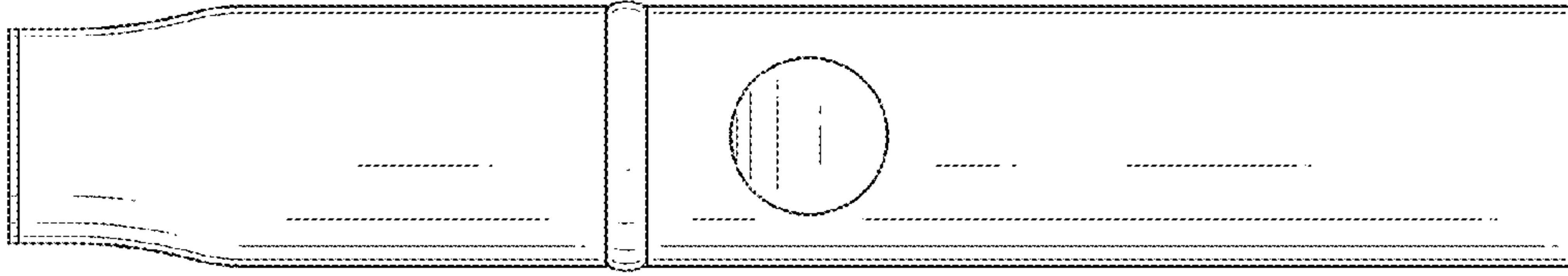


FIG. 6

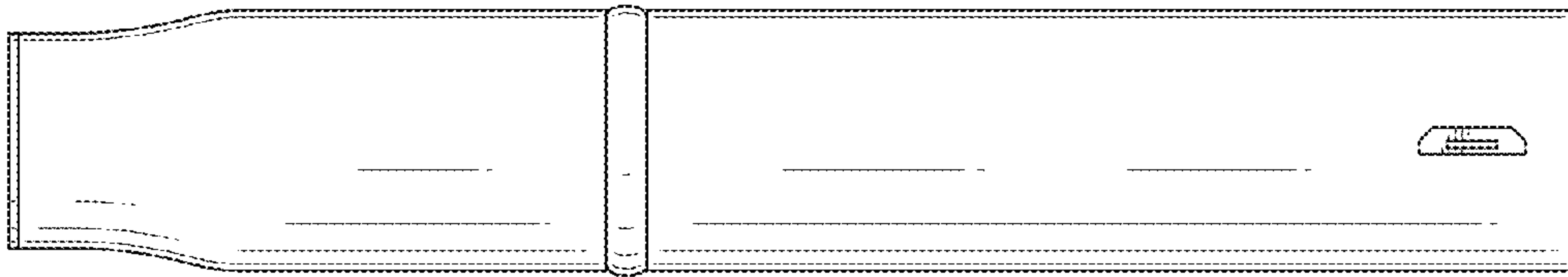


FIG. 7

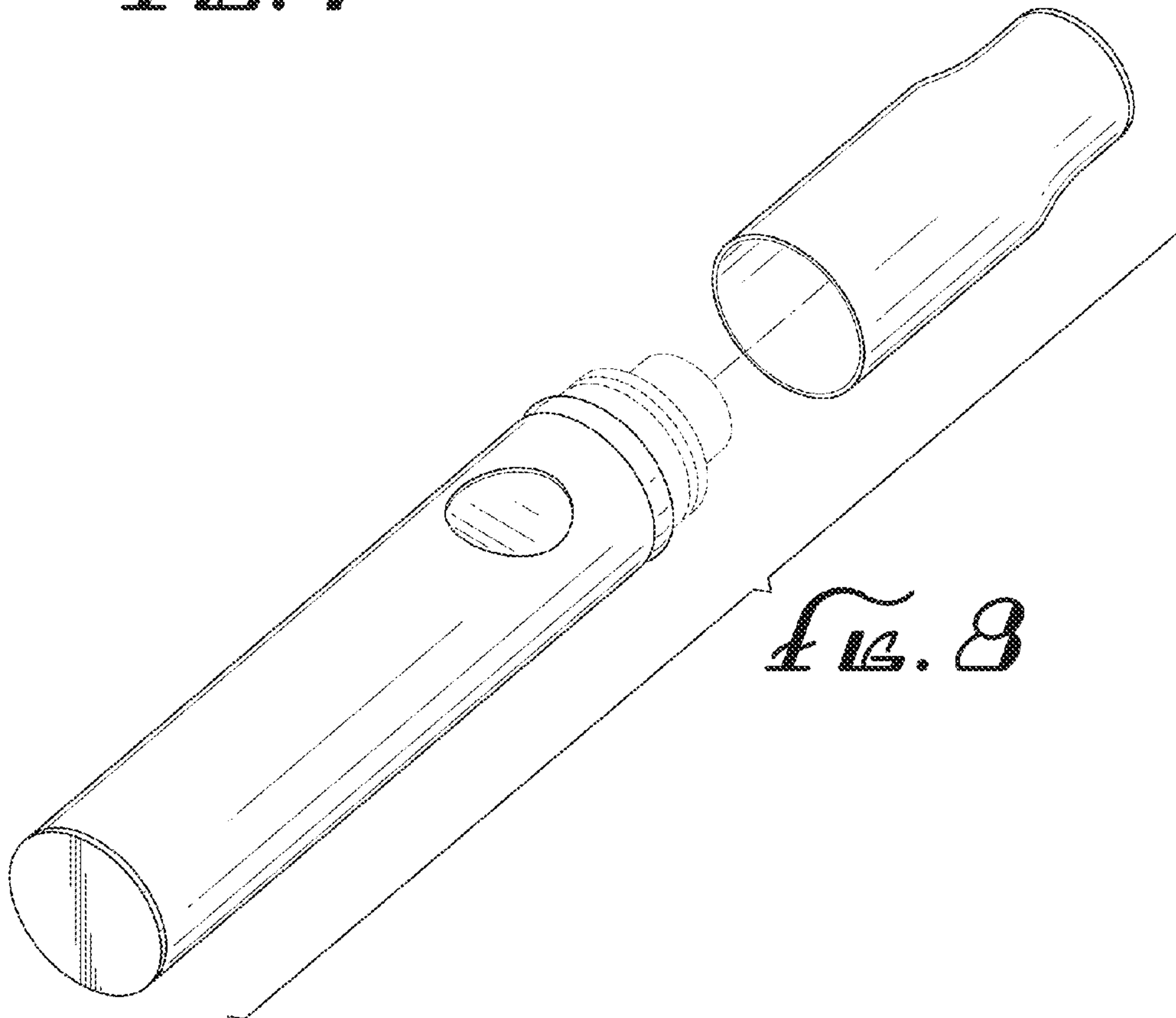


FIG. 8