



US00D720879S

(12) **United States Design Patent**
Blum et al.

(10) **Patent No.:** **US D720,879 S**

(45) **Date of Patent:** **** Jan. 6, 2015**

(54) **LUMINAIRE FLOOR STAND**

(71) Applicant: **ABL IP Holding, LLC**, Conyers, GA (US)

(72) Inventors: **Darren Blum**, San Mateo, CA (US); **Michael Trung Tran**, Oakland, CA (US); **Aaron Mathew Engel-Hall**, San Francisco, CA (US); **Peter Y. Y. Ngai**, Alamo, CA (US)

(73) Assignee: **ABL IP Holding, LLC**, Conyers, GA (US)

(**) Term: **14 Years**

(21) Appl. No.: **29/452,360**

(22) Filed: **Apr. 15, 2013**

(51) **LOC (10) Cl.** **26-99**

(52) **U.S. Cl.**
USPC **D26/142**

(58) **Field of Classification Search**

CPC F21S 6/00; F21S 6/002; F21S 6/003;
F21S 6/004; F21S 6/005; F21S 13/12; A47B
91/005; A47B 91/12; A47B 2021/0307;
A47B 2021/0364
USPC D26/22, 23, 37, 38, 39, 62, 63, 67, 68,
D26/93, 141, 142; D14/302, 305, 335, 336,
D14/371, 463; 362/134, 172, 177, 181, 316,
362/319, 441, 652

See application file for complete search history.

(56) **References Cited**

U.S. PATENT DOCUMENTS

D314,836 S * 2/1991 Sonneman D26/62
5,034,863 A * 7/1991 Huang 362/652
D373,215 S * 8/1996 Lewis D26/93

(Continued)

Primary Examiner — Deanna L Pratt

Assistant Examiner — Natasha Vujcic

(74) *Attorney, Agent, or Firm* — Beeson Skinner Beverly, LLP

(57) **CLAIM**

The ornamental design for a luminaire floor stand, as shown and described.

DESCRIPTION

FIG. 1 is a top front perspective view of a luminaire floor stand showing our new design and a broken line representation of a luminaire mounted to the floor stand;

FIG. 2 is another top front perspective view thereof without a broken line representation of a luminaire mounted to the floor stand;

FIG. 3 is a bottom perspective view thereof;

FIG. 4 is a front elevational view thereof;

FIG. 5 is a left side elevational view thereof, the right side being a mirror image;

FIG. 6 is a rear elevational view thereof;

FIG. 7 is a top plan view thereof;

FIG. 8 is a top front perspective view of a luminaire floor stand showing another embodiment of our new design and a broken line representation of a luminaire mounted to the floor stand;

FIG. 9 is another top front perspective view thereof without a broken line representation of a luminaire mounted to the floor stand;

FIG. 10 is a bottom perspective view thereof;

FIG. 11 is a front elevational view thereof;

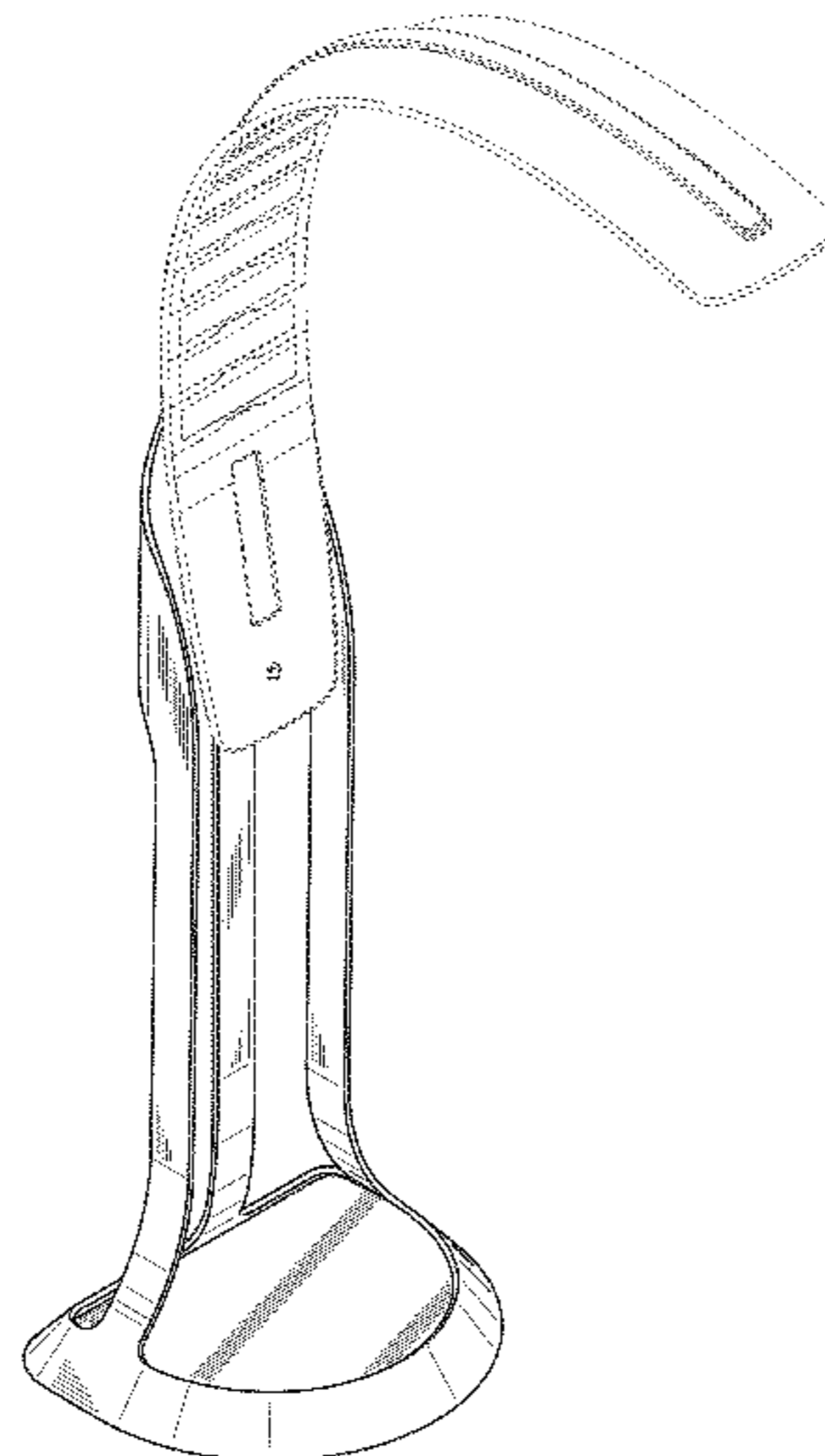
FIG. 12 is a left side elevational view thereof, the right side being a mirror image;

FIG. 13 is a rear elevational view thereof; and,

FIG. 14 is a top plan view thereof.

The broken line representation of a luminaire in FIGS. 1 and 8 form no part of the claimed design. The broken line representation of an alternative third leg of the stand shown in FIGS. 8-14 is directed to the unclaimed structure in the embodiment illustrated in those figures. The broken lines in the bottom of the luminaire shown in FIGS. 3 and 10 represent the bounds of the claimed design.

1 Claim, 10 Drawing Sheets



(56)

References Cited

U.S. PATENT DOCUMENTS

D403,099 S * 12/1998 Hsu D26/93
D403,175 S * 12/1998 Dardashti D26/58
D550,663 S * 9/2007 Olea D14/302
D569,539 S * 5/2008 Behar et al. D26/63
D570,512 S * 6/2008 Smith D26/63

D590,534 S * 4/2009 Levine D26/62
D612,964 S * 3/2010 Zhang et al. D26/38
D612,972 S * 3/2010 Levine D26/63
D615,681 S * 5/2010 Thomson et al. D26/63
D617,932 S * 6/2010 Chan D26/63
D618,387 S * 6/2010 Noui D26/142
D638,161 S * 5/2011 Hadid D26/93

* cited by examiner

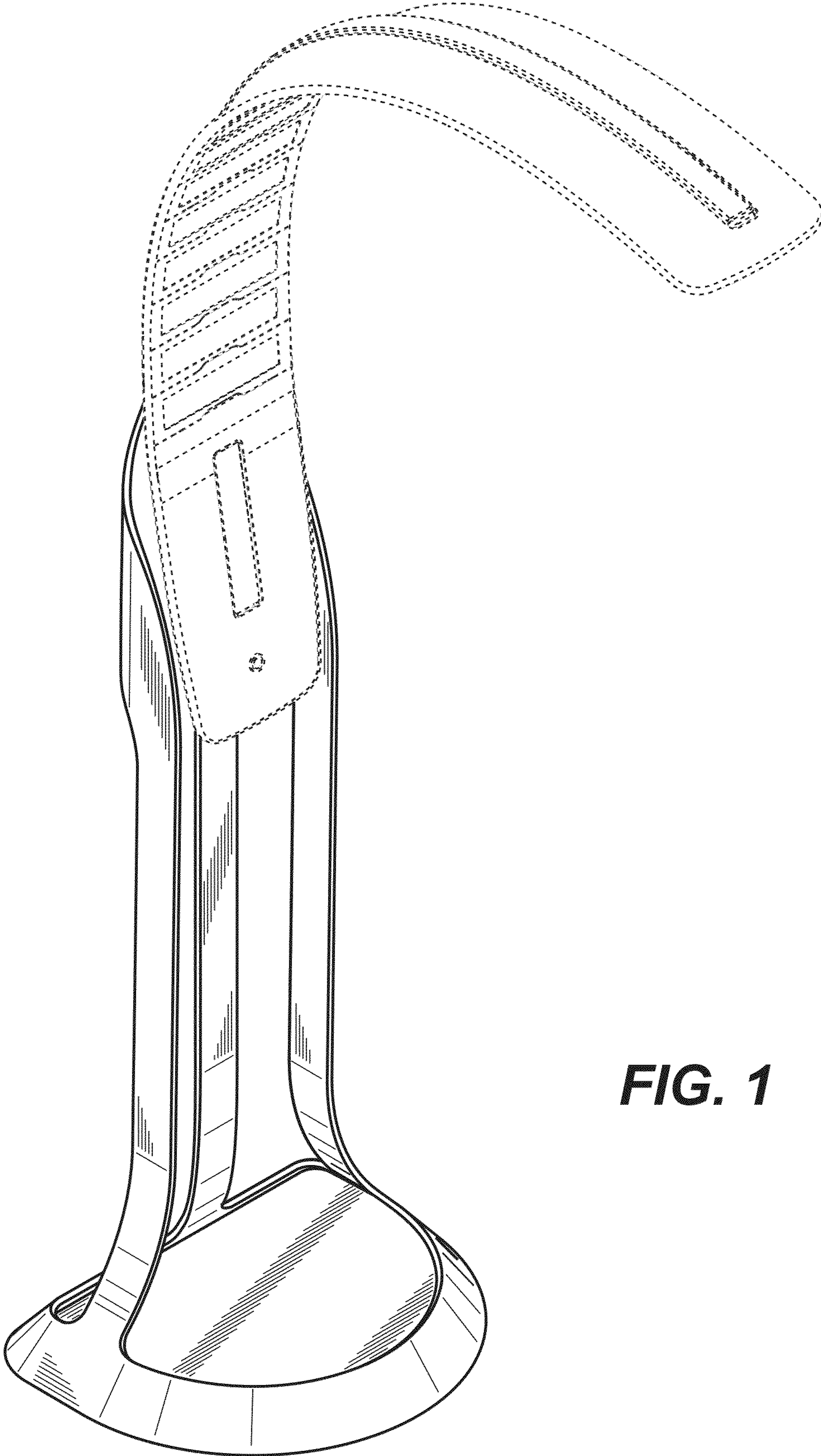


FIG. 1



FIG. 2



FIG. 3

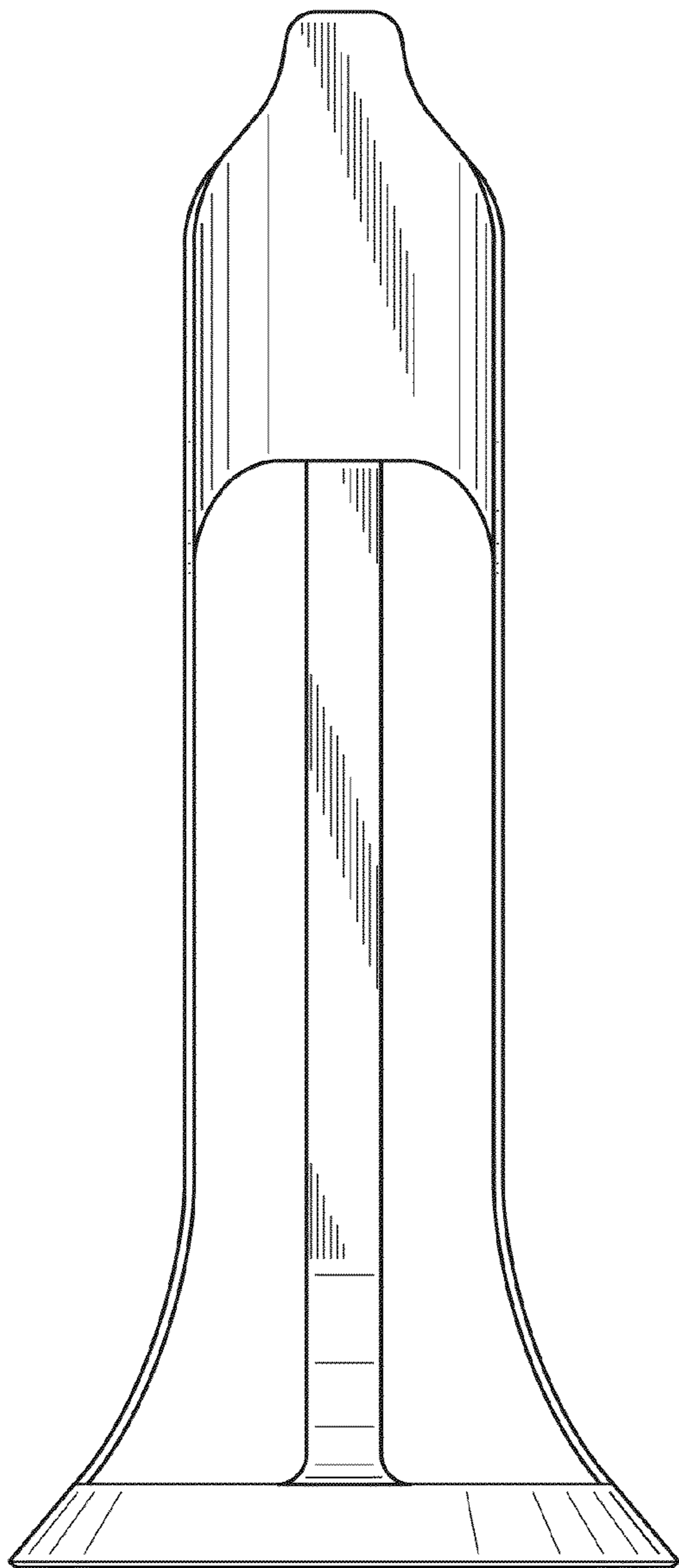


FIG. 4

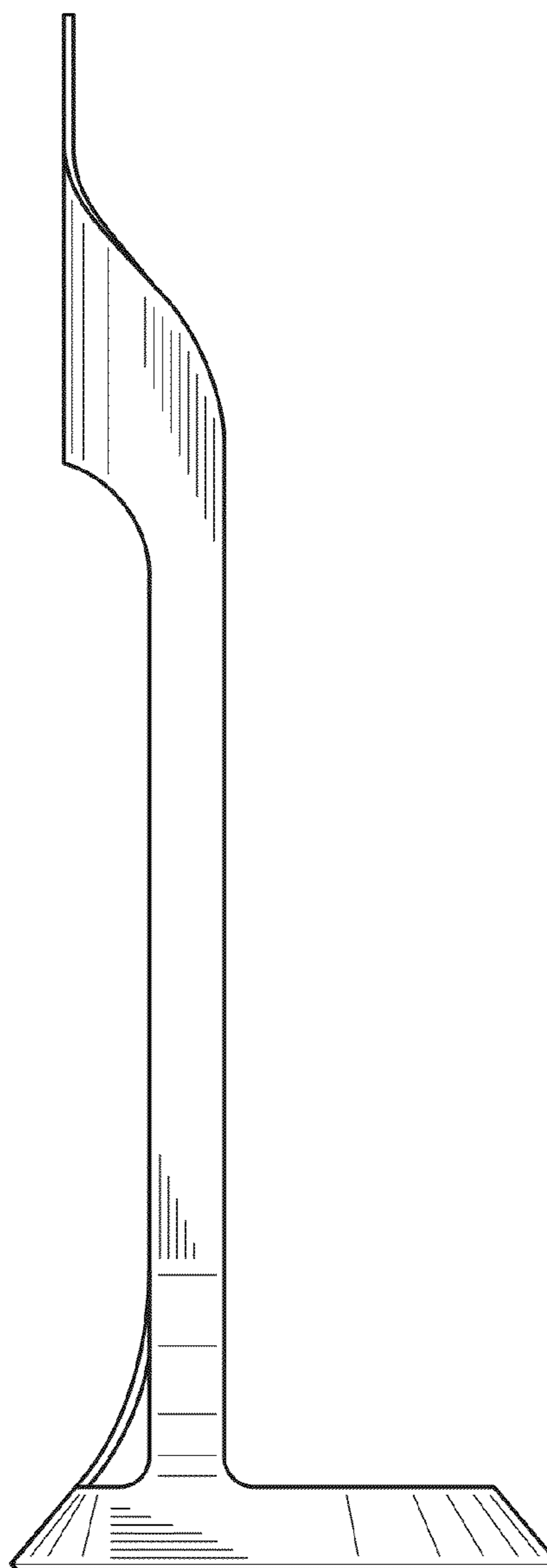


FIG. 5

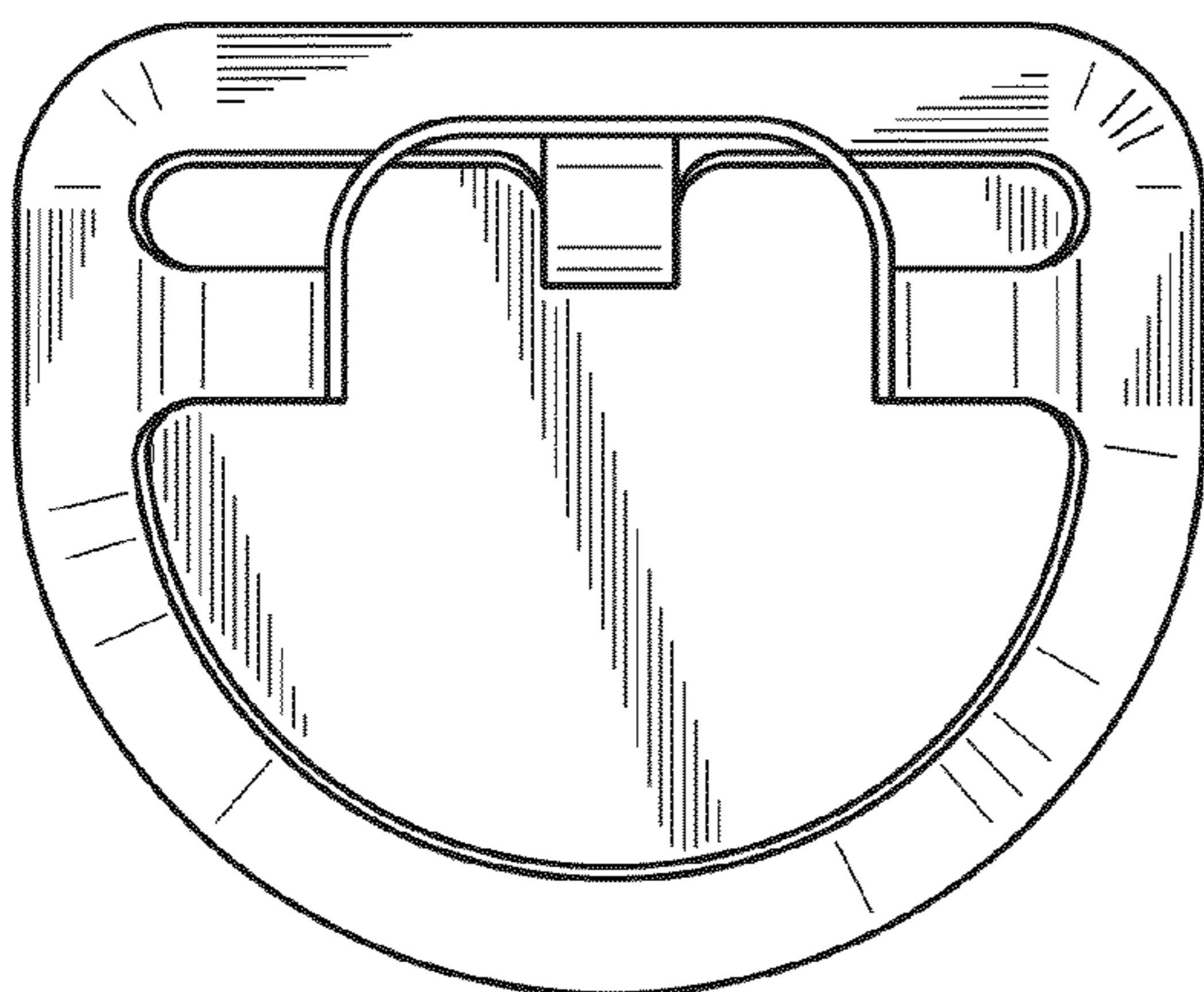


FIG. 7

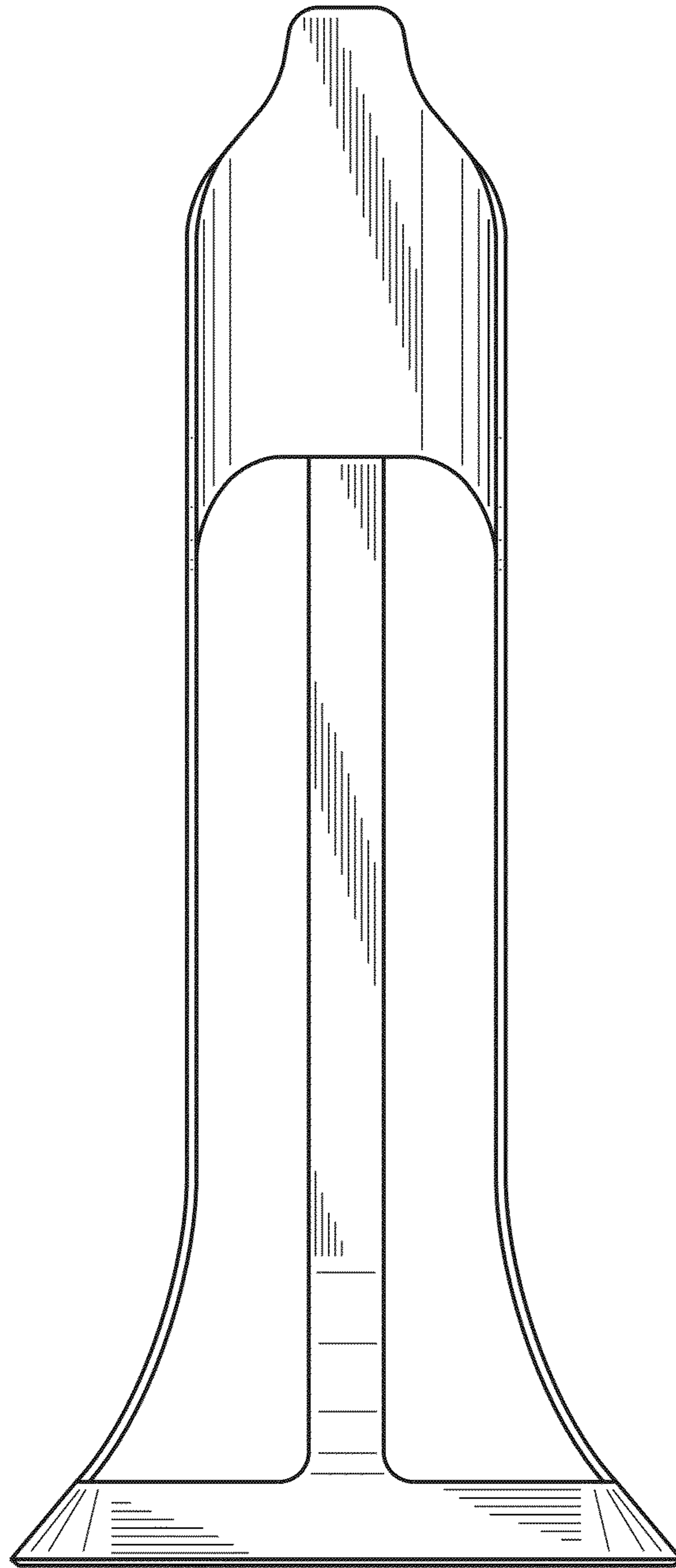


FIG. 6

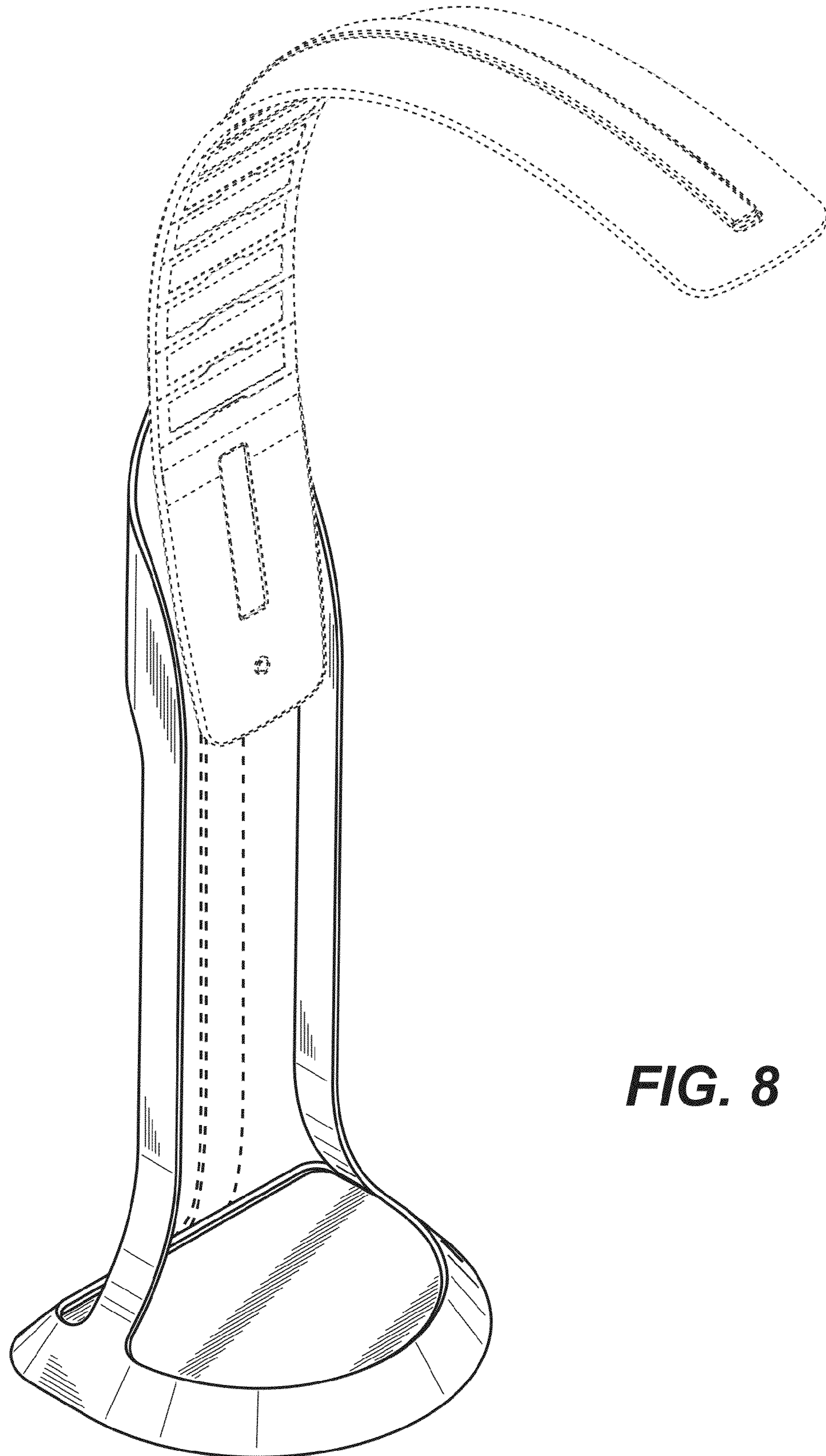


FIG. 8

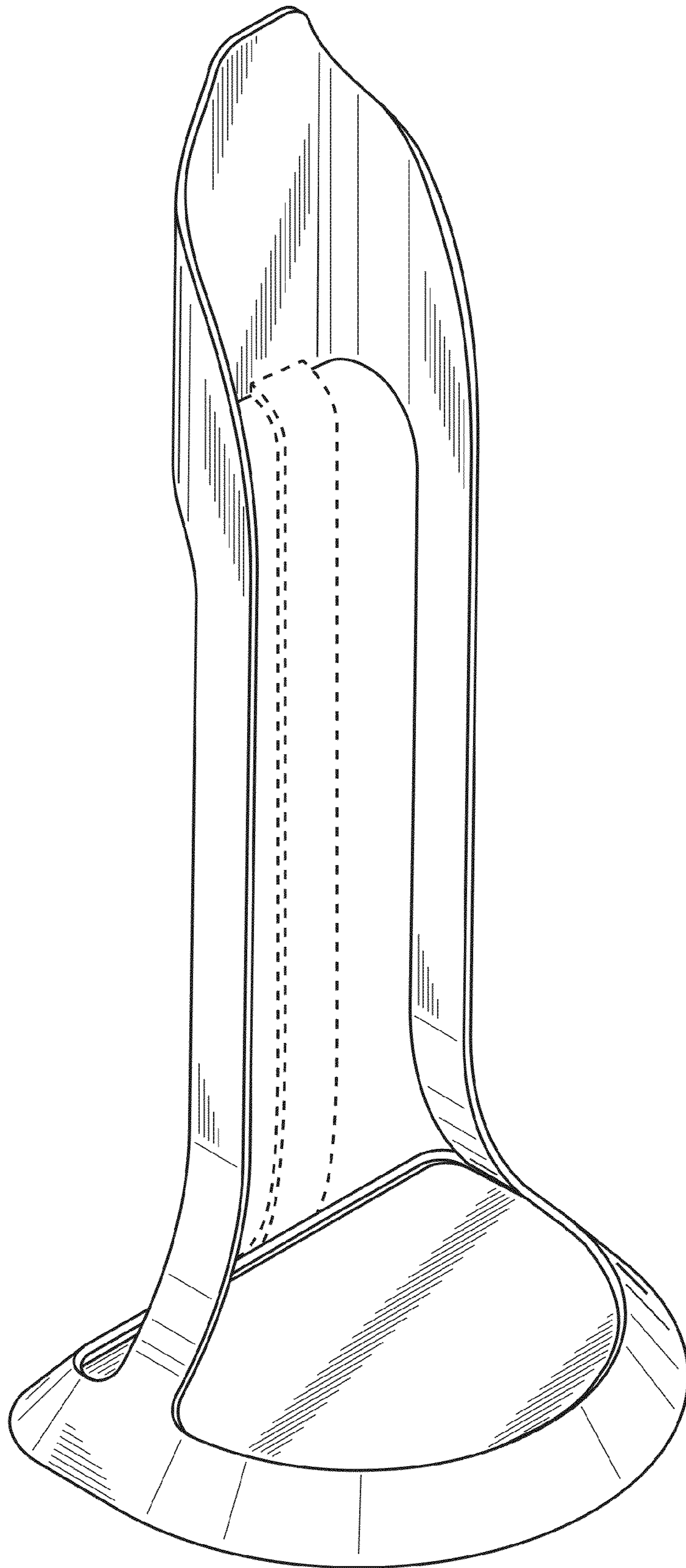


FIG. 9

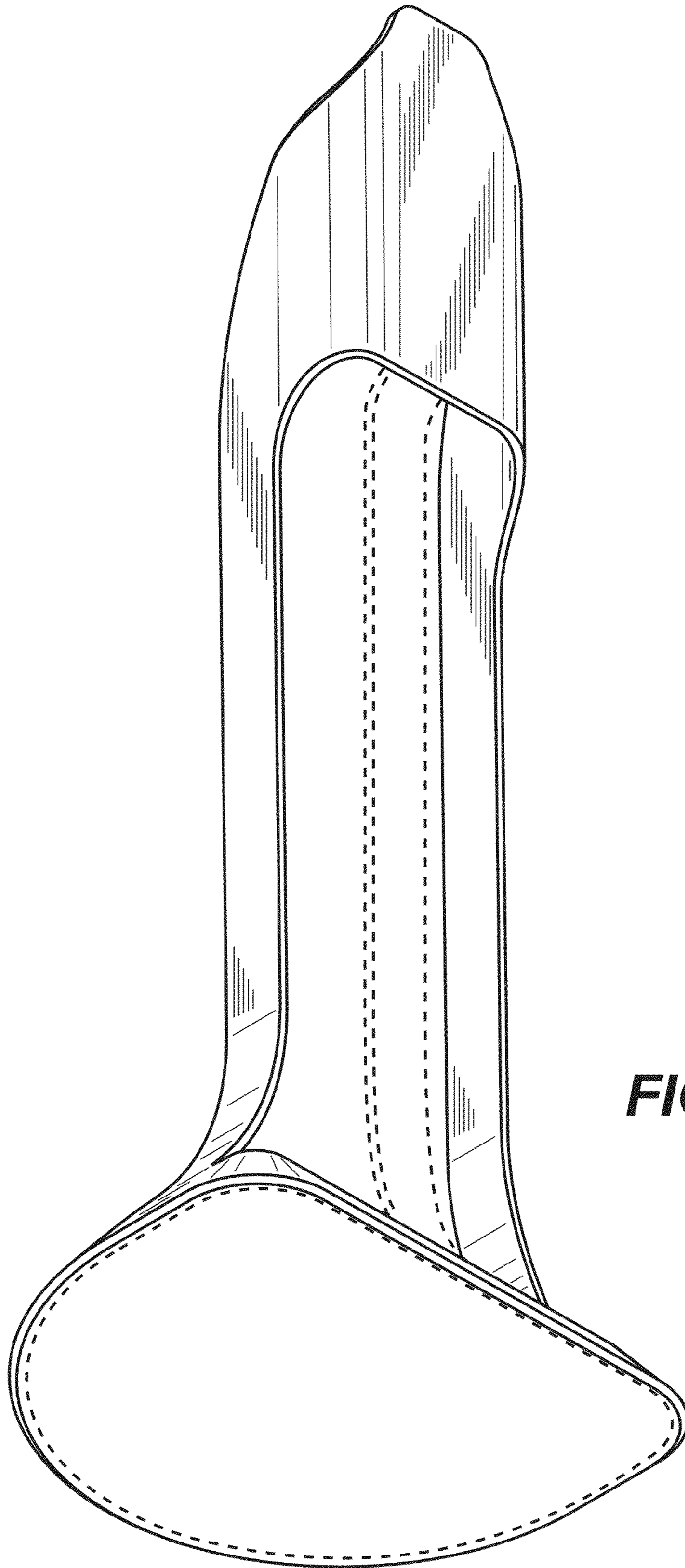


FIG. 10

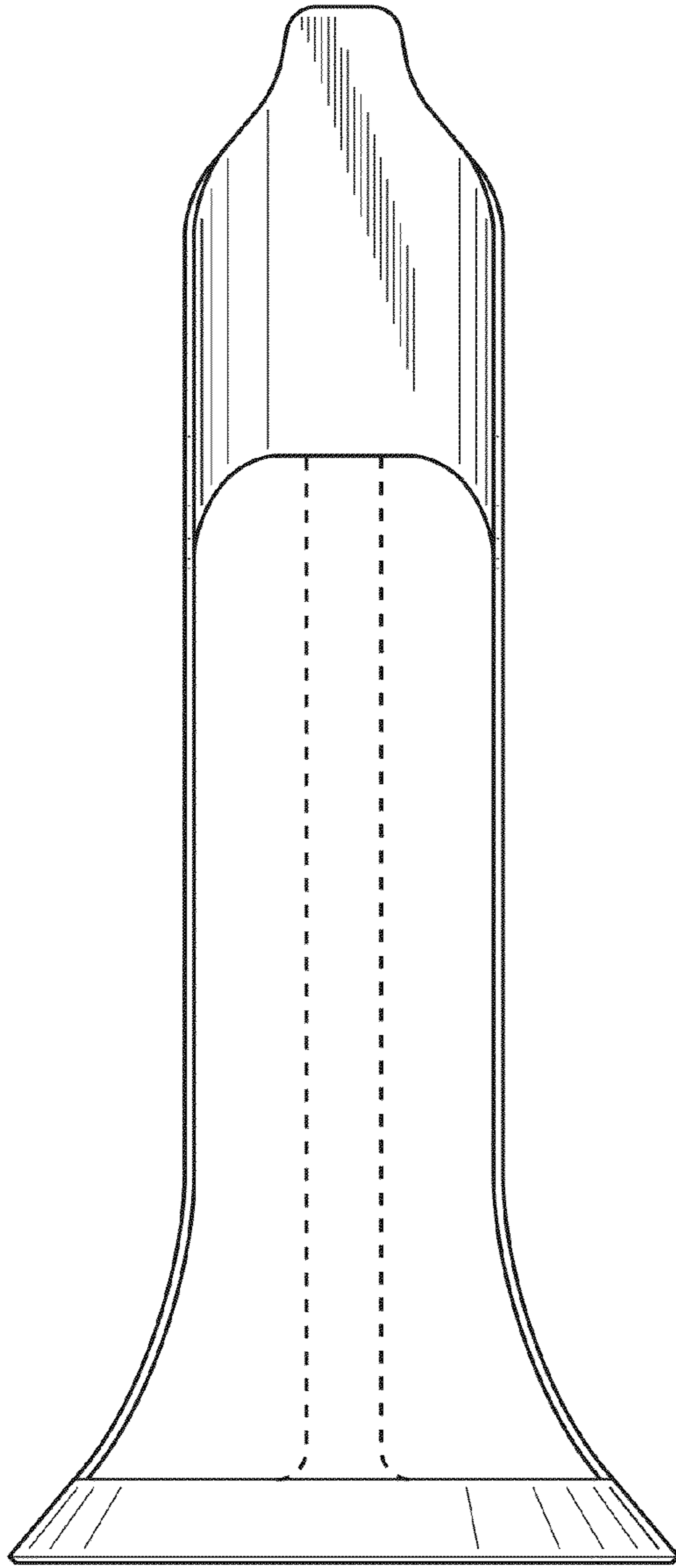


FIG. 11

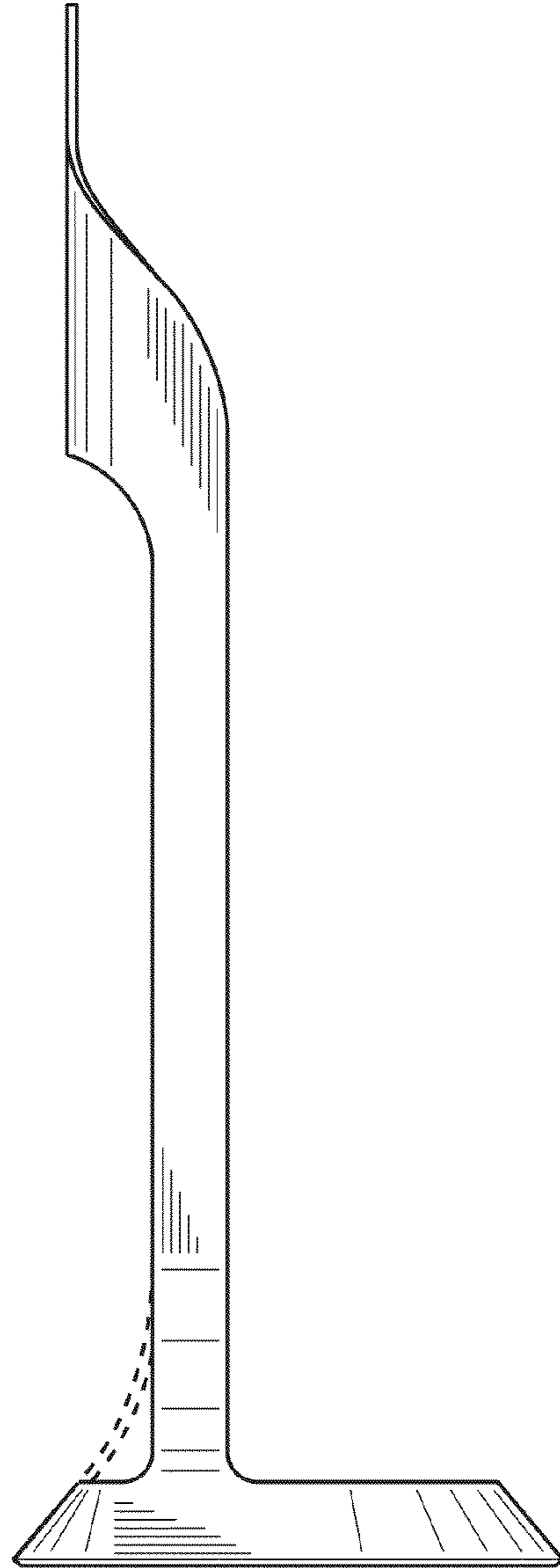


FIG. 12

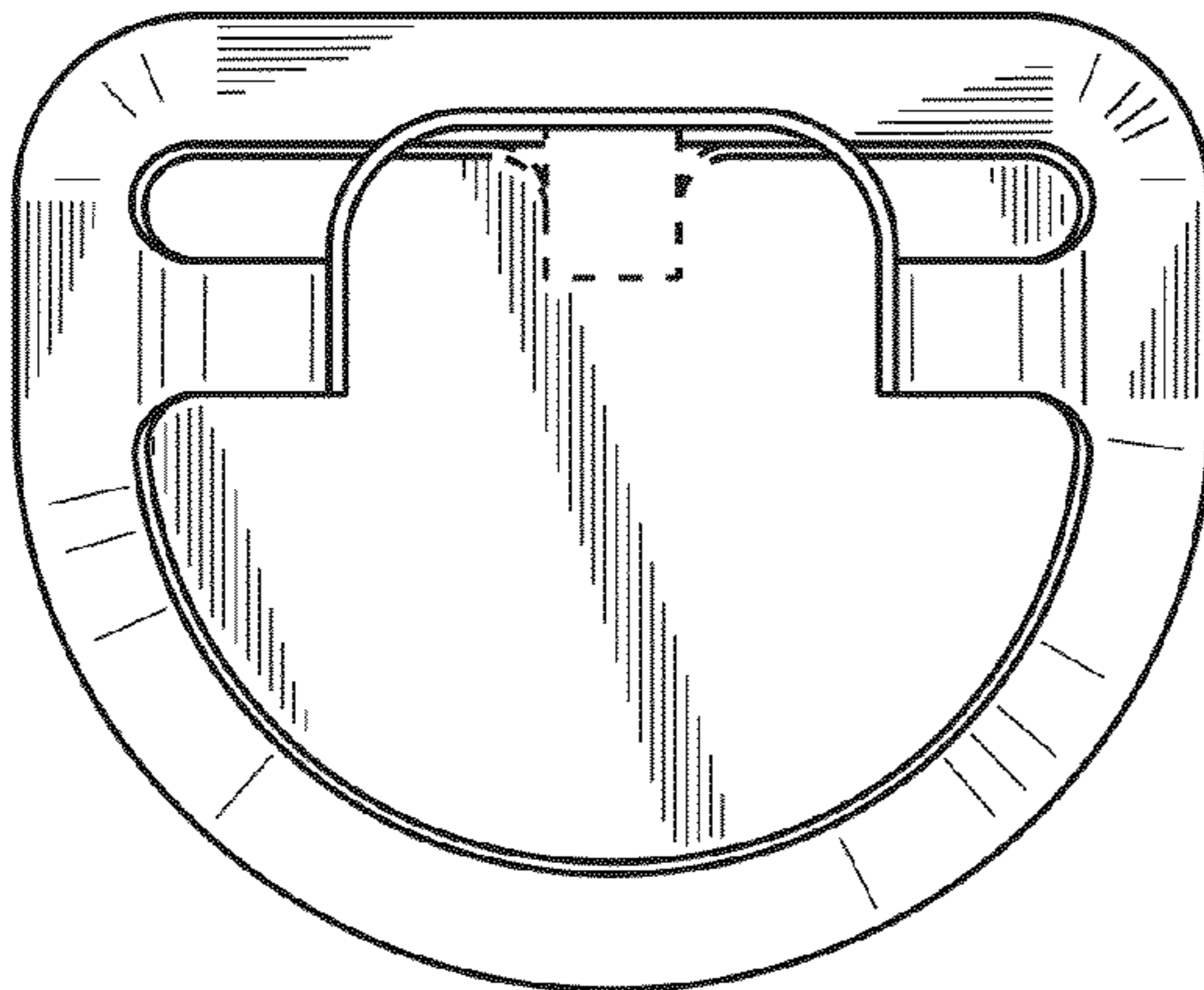


FIG. 14

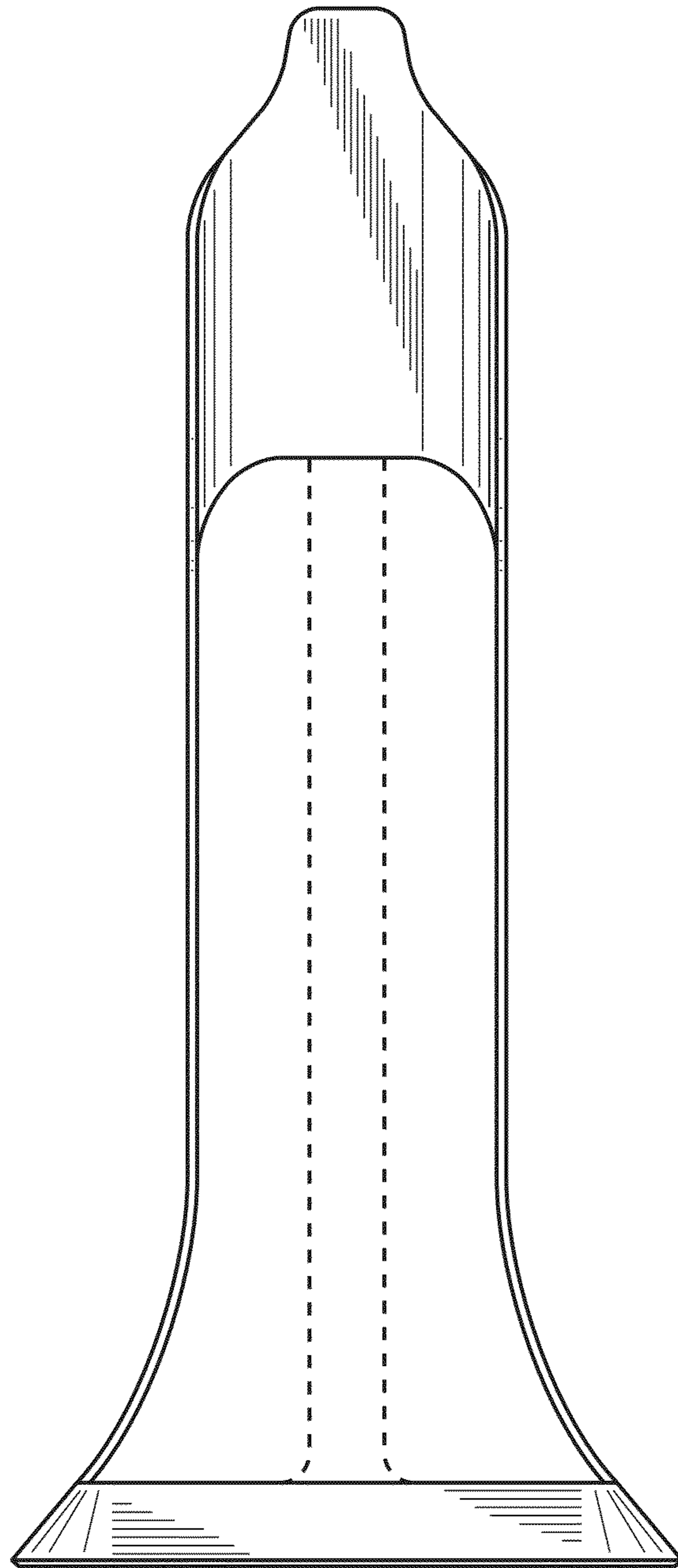


FIG. 13