



US00D720877S

(12) **United States Design Patent**
Chen et al.

(10) **Patent No.:** **US D720,877 S**
(45) **Date of Patent:** **** Jan. 6, 2015**

(54) **TABLE LAMP**

(71) Applicant: **Watson Bell Co., Ltd.**, New Taipei (TW)

(72) Inventors: **Jao-Yi Chen**, New Taipei (TW); **Tsung Han Hsieh**, Taichung (TW)

(73) Assignee: **Watson Bell Co., Ltd.**, New Taipei (TW)

(**) Term: **14 Years**

(21) Appl. No.: **29/434,461**

(22) Filed: **Oct. 12, 2012**

(30) **Foreign Application Priority Data**

Apr. 12, 2012 (CN) 2012 3 0107077

(51) **LOC (10) Cl.** **26-03**

(52) **U.S. Cl.**
USPC **D26/93**

(58) **Field of Classification Search**
USPC D26/1, 24, 61-66, 93-94, 102-110;
362/3, 153, 186, 217, 255, 257, 277,
362/317, 351, 353, 362, 363, 382, 431, 41,
362/433, 458

See application file for complete search history.

(56) **References Cited**

U.S. PATENT DOCUMENTS

D388,528 S * 12/1997 Shear D26/102
D626,279 S * 10/2010 Watson et al. D26/93
D666,345 S * 8/2012 Wang D26/63

* cited by examiner

Primary Examiner — Brian N Vinson

(74) *Attorney, Agent, or Firm* — Birch, Stewart, Kolasch & Birch, LLP

(57) **CLAIM**

The ornamental design for a table lamp, as shown and described.

DESCRIPTION

FIG. 1 is a top, front and right side perspective view of a table lamp, showing our new design;

FIG. 2 is a front elevational view thereof;

FIG. 3 is a rear elevational view thereof;

FIG. 4 is a top plan view thereof;

FIG. 5 is a bottom plan view thereof;

FIG. 6 is a left side elevational view thereof;

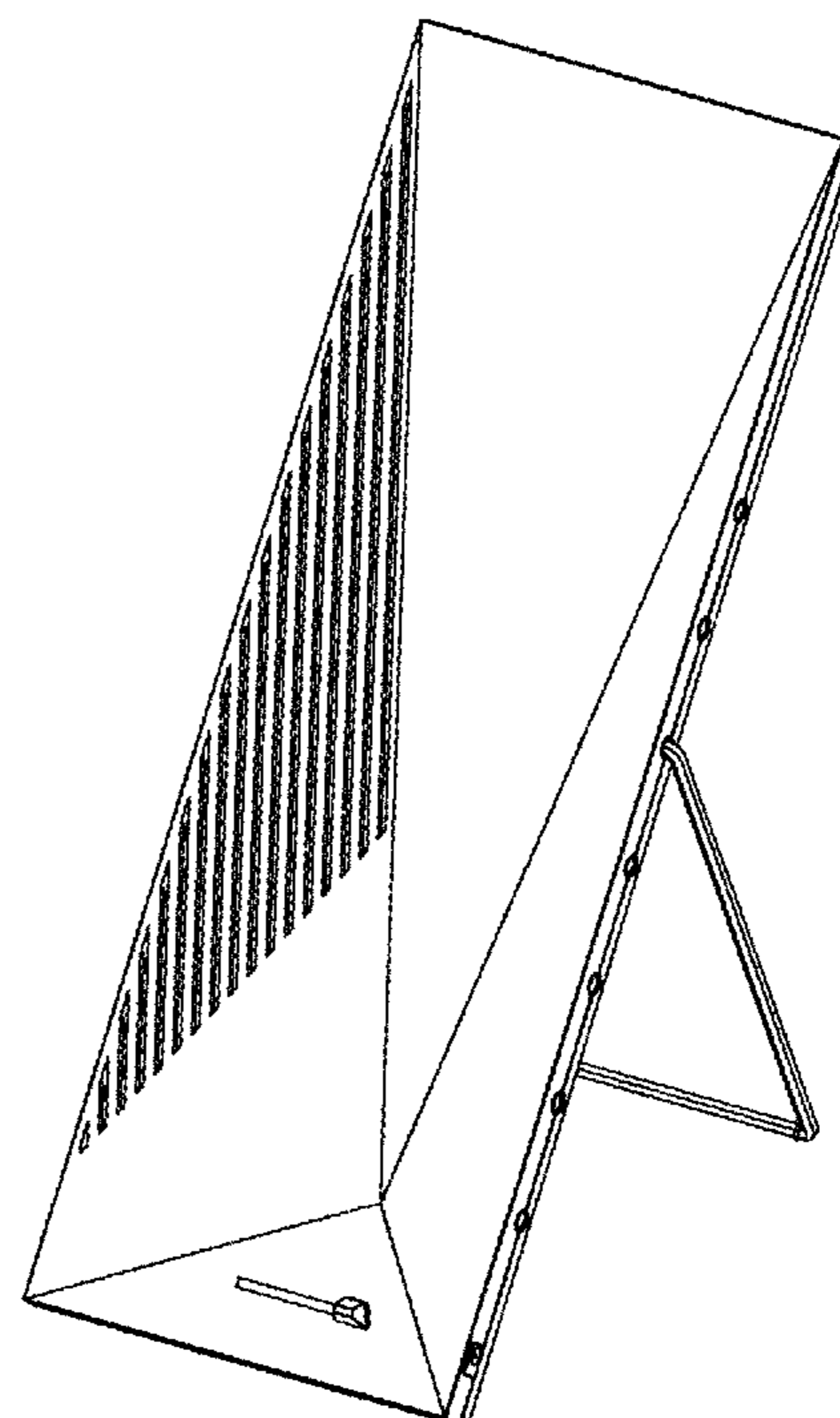
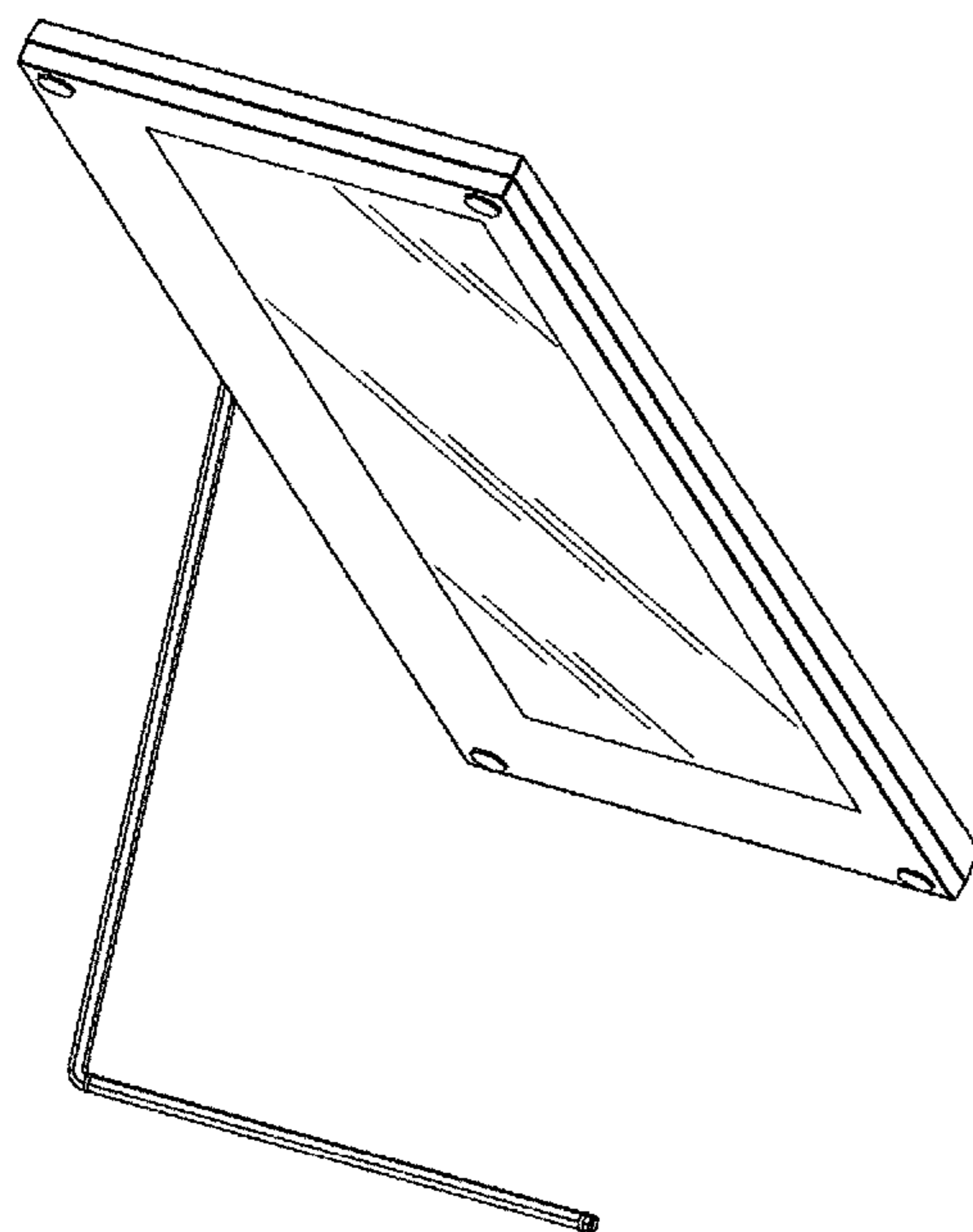
FIG. 7 is a right side elevational view thereof;

FIG. 8 is an additional top, front and right side perspective view thereof;

FIG. 9 is a top, rear and left side perspective view thereof; and, FIG. 10 is an additional rear and left side perspective view thereof.

The broken-line disclosure shows a portion of the table lamp which forms no part of the claimed design.

1 Claim, 10 Drawing Sheets



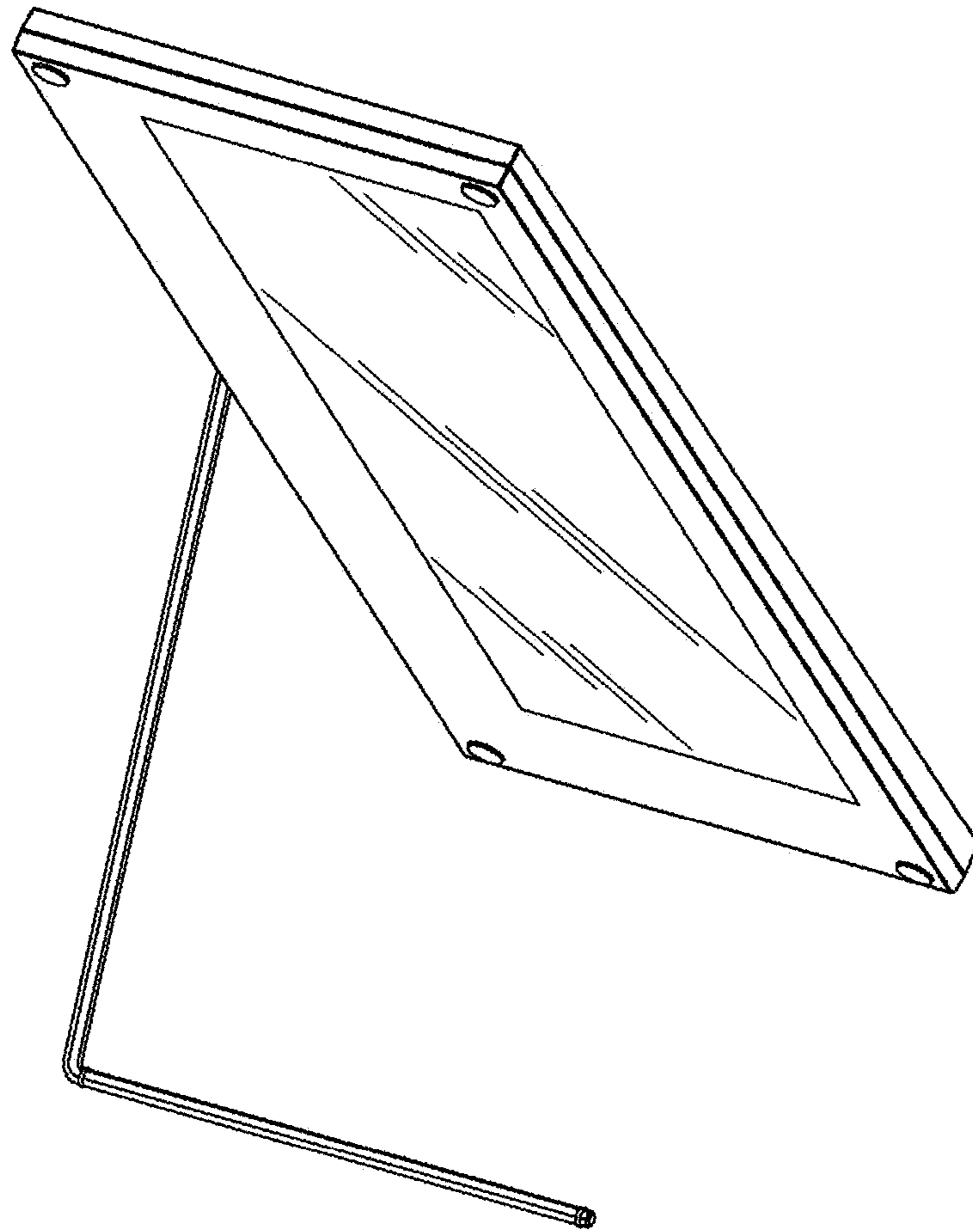


FIG. 1

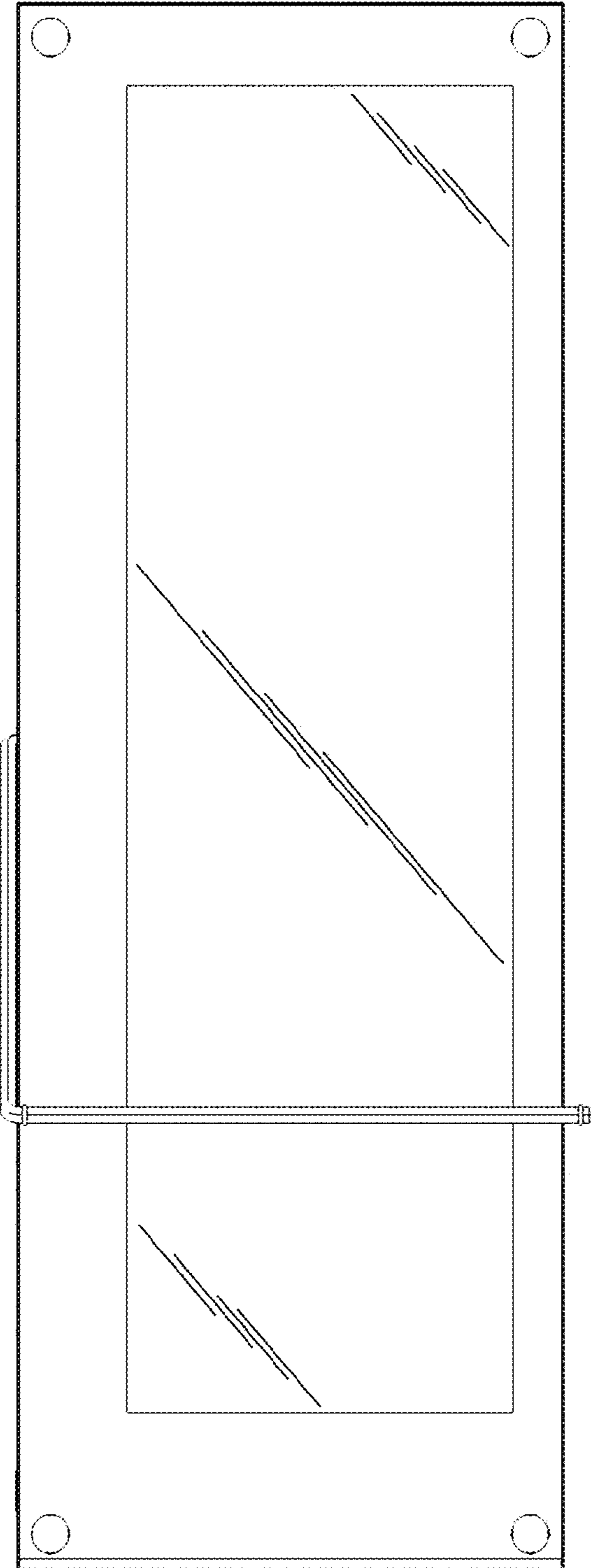


FIG. 2

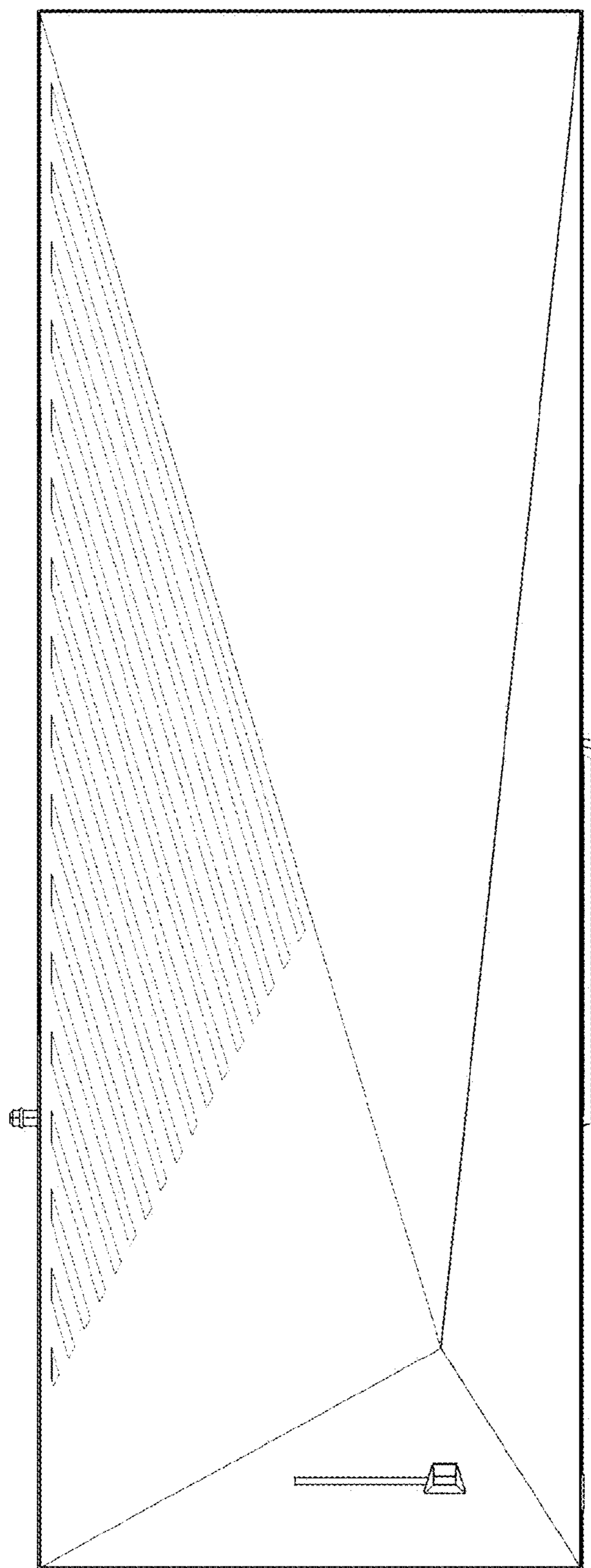


FIG. 3

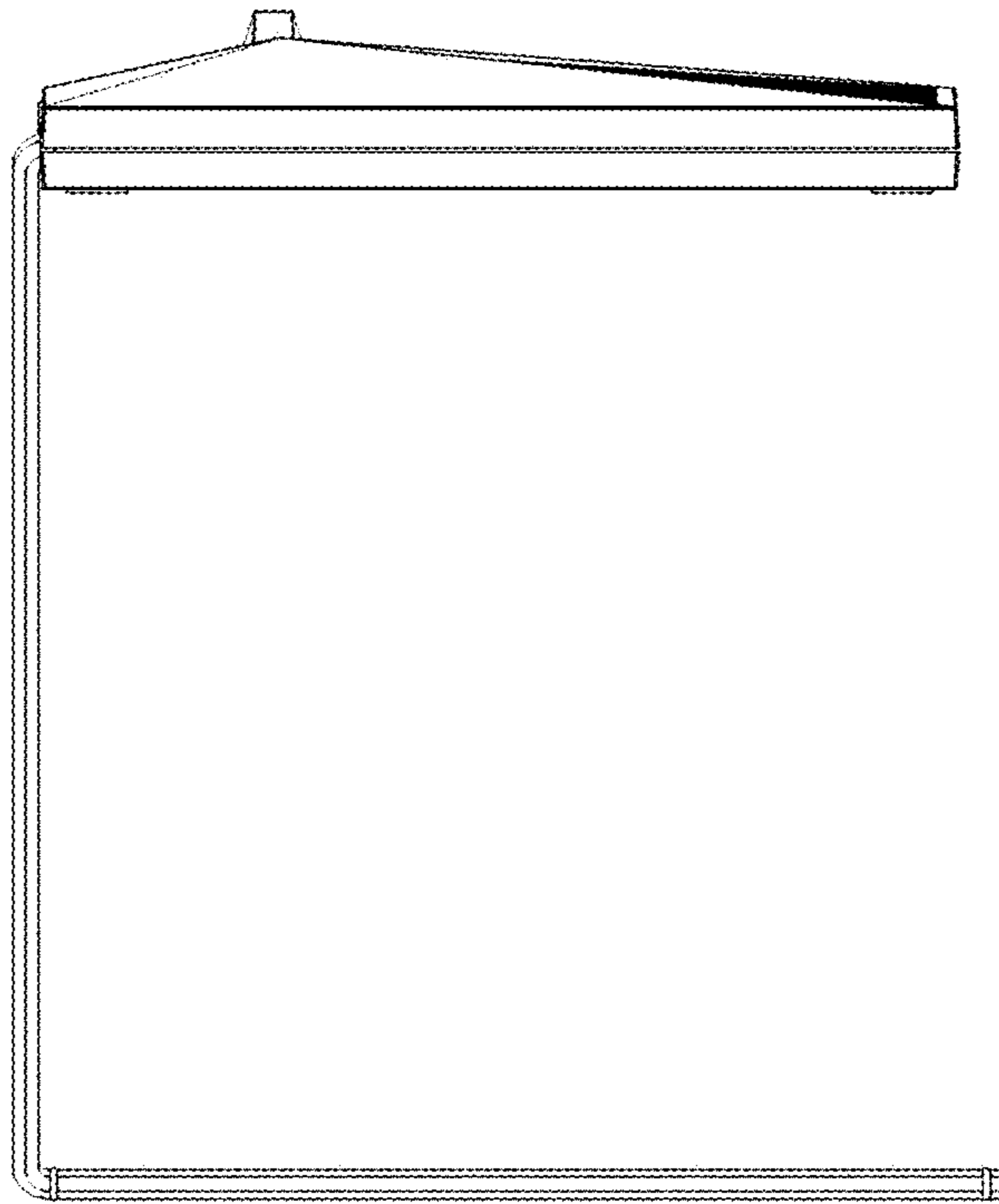


FIG. 4

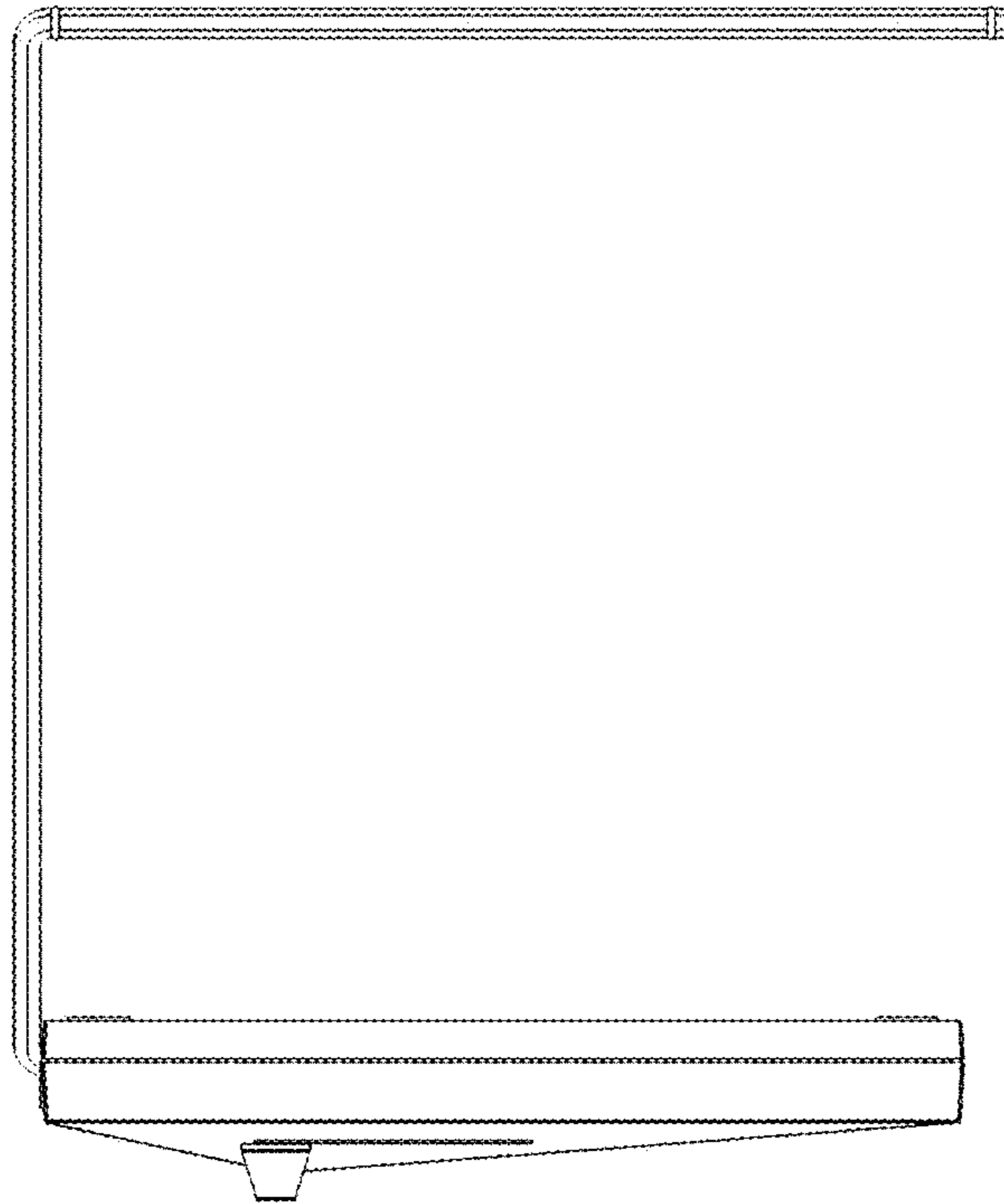


FIG. 5

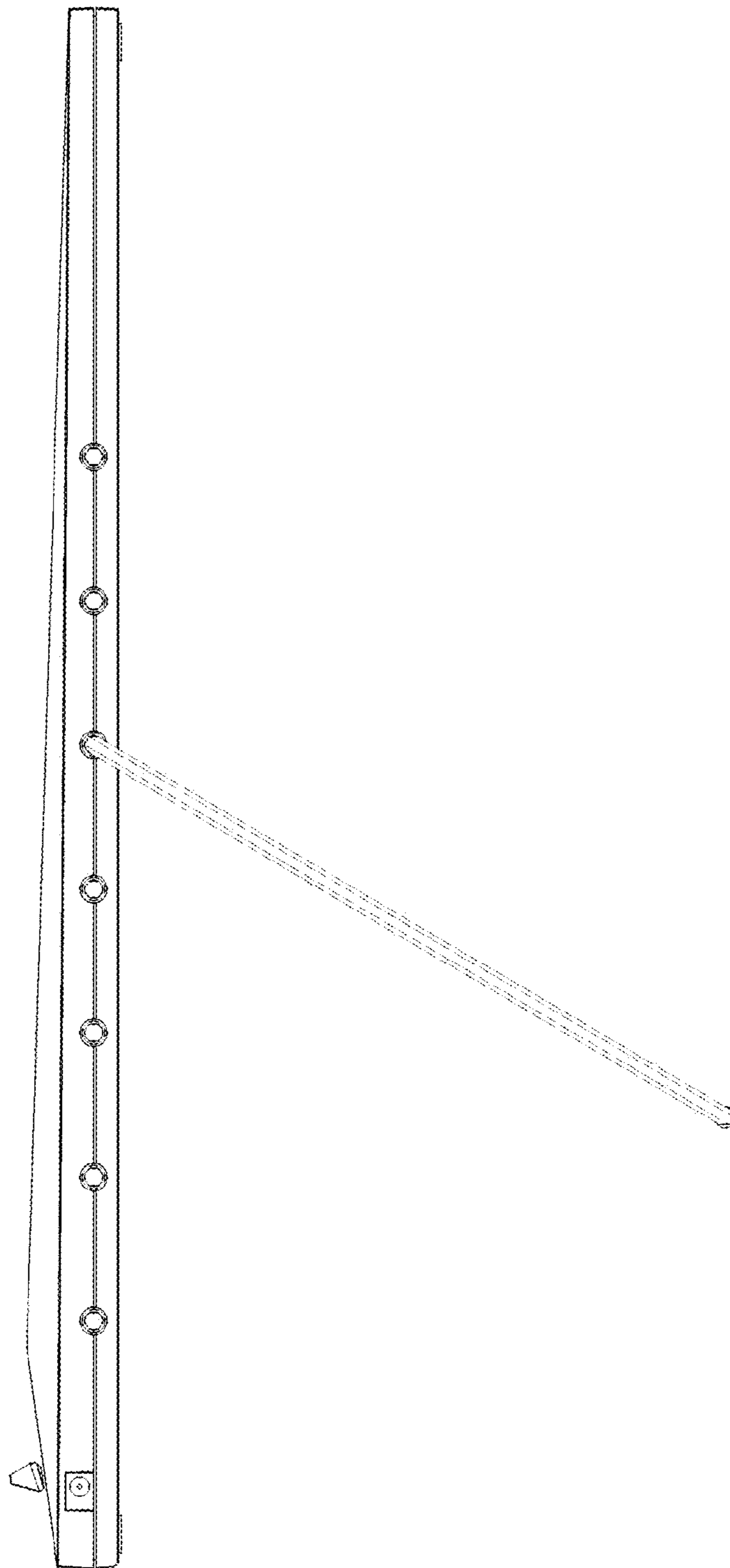


FIG. 6

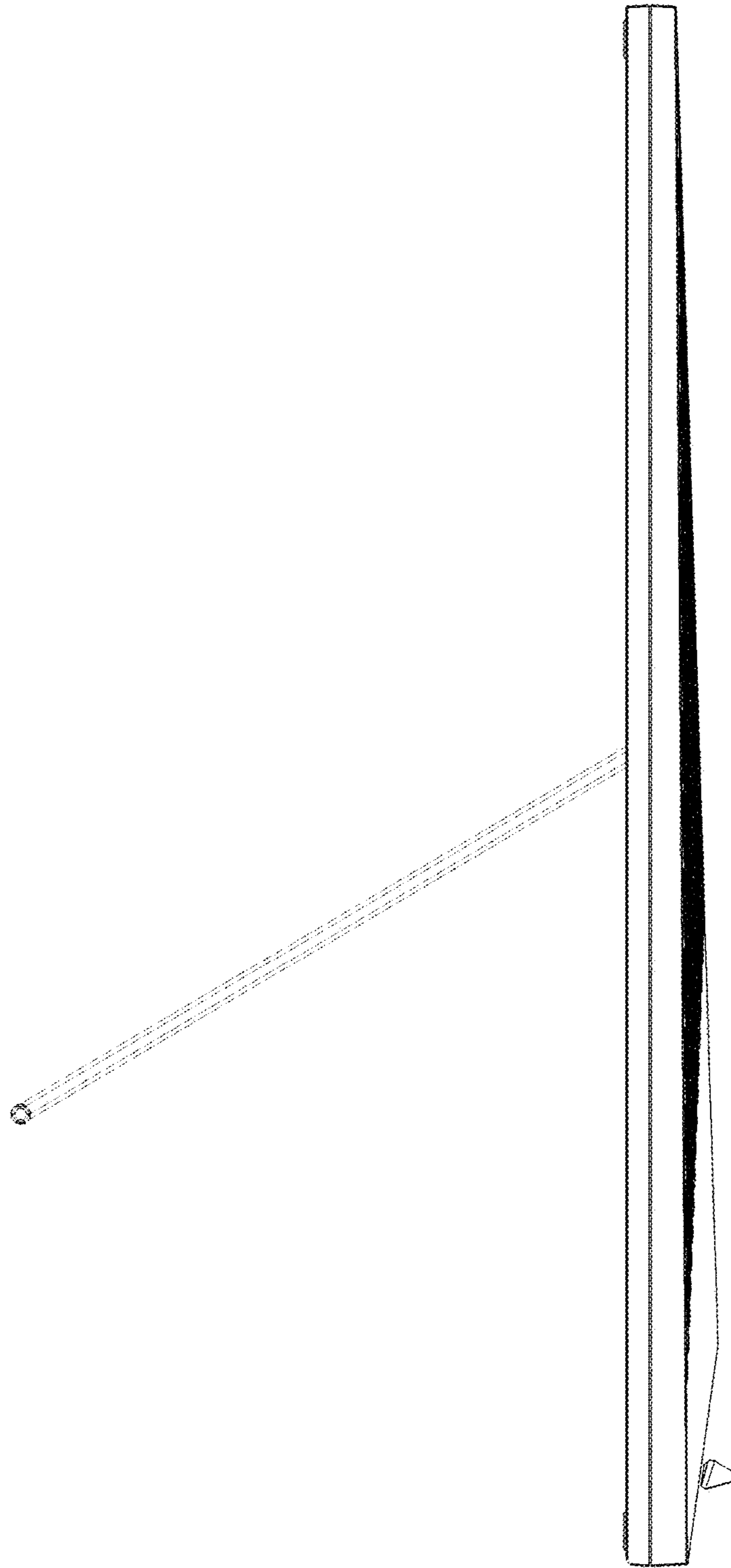


FIG. 7

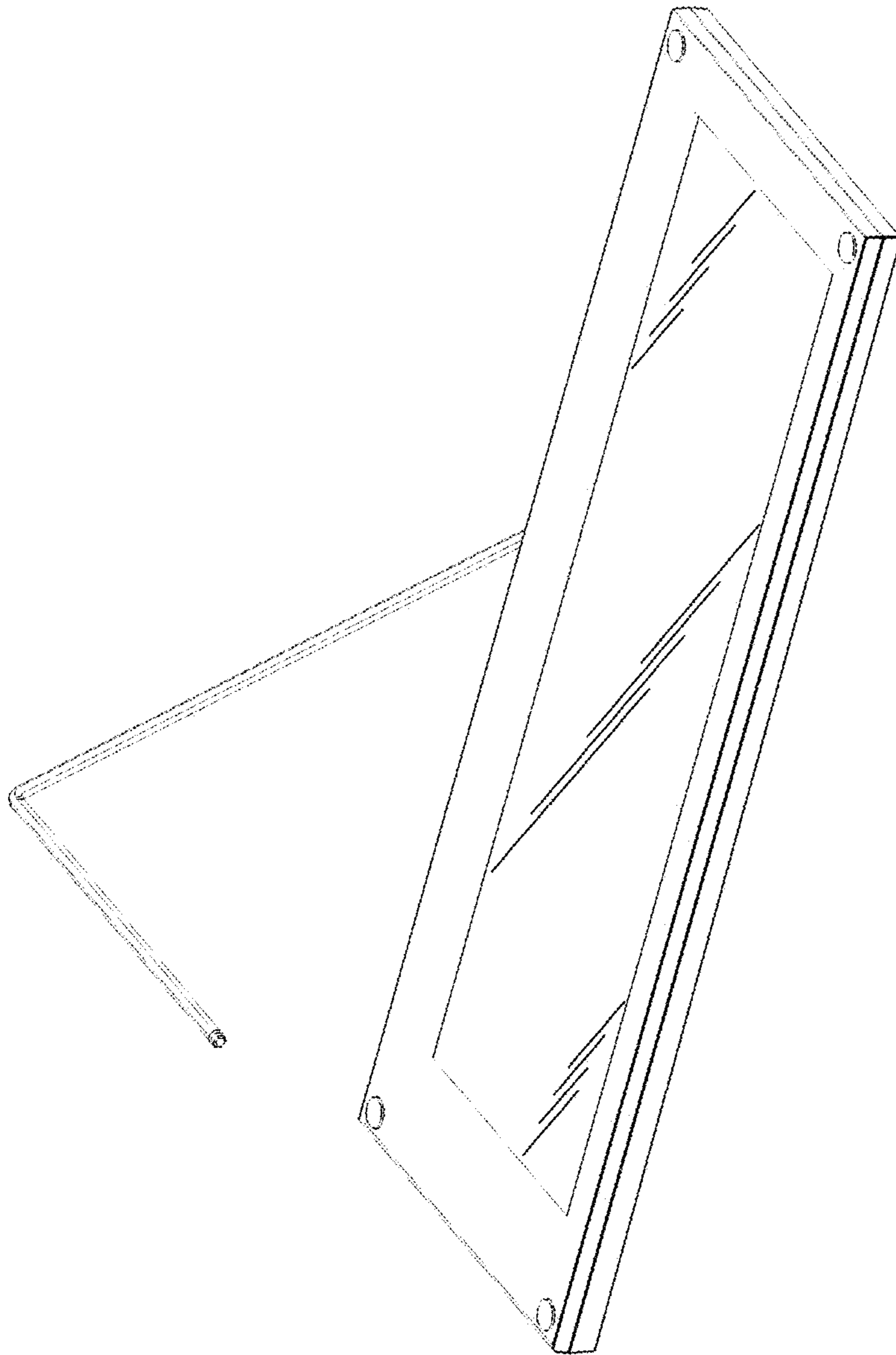


FIG. 8

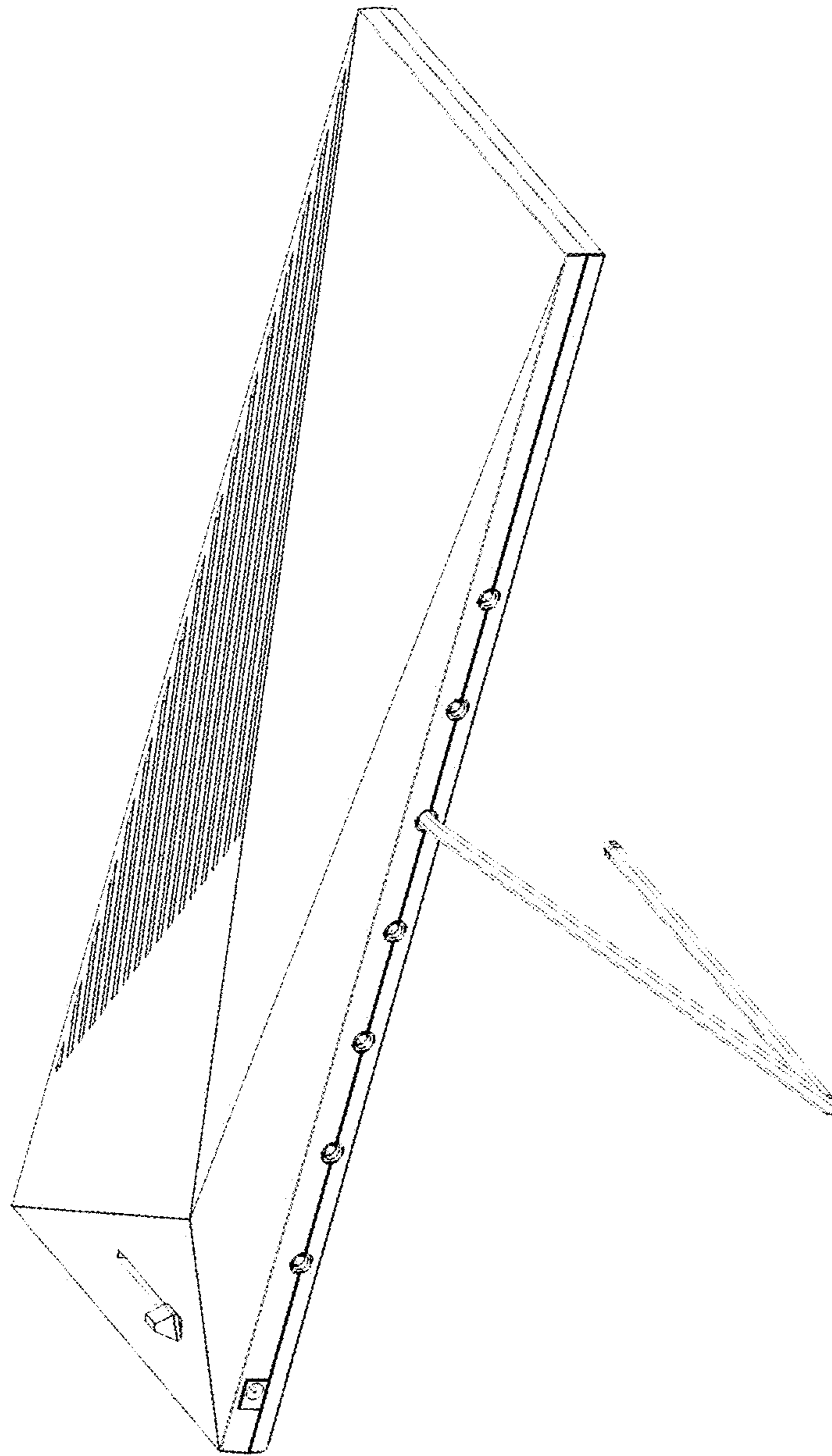


FIG. 9

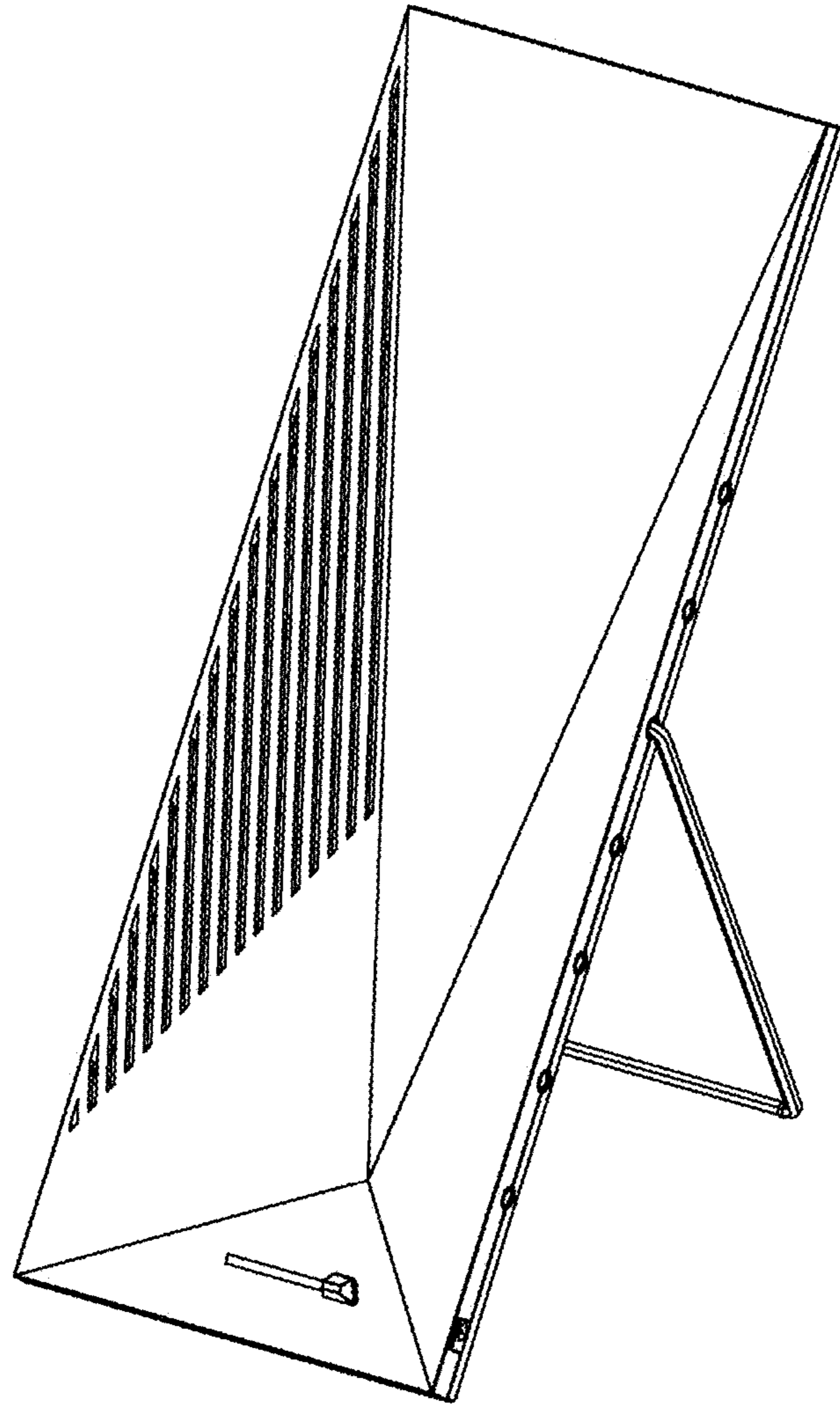


FIG. 10