



US00D720876S

(12) **United States Design Patent**  
**Haverfield**

(10) **Patent No.:** **US D720,876 S**  
(45) **Date of Patent:** **\*\* Jan. 6, 2015**

- (54) **TILED LIGHT COVER**
- (71) Applicant: **Kevin Michael Haverfield**, Laguna Vista, TX (US)
- (72) Inventor: **Kevin Michael Haverfield**, Laguna Vista, TX (US)
- (\*\*) Term: **14 Years**
- (21) Appl. No.: **29/483,382**
- (22) Filed: **Feb. 27, 2014**
- (51) **LOC (10) Cl.** ..... **26-03**
- (52) **U.S. Cl.**  
USPC ..... **D26/85; D26/128**
- (58) **Field of Classification Search**  
USPC ..... D26/67, 80, 83, 85, 86, 87, 118, 120, 126/122, 128, 129, 137, 143; 362/147, 362, 362/431, 432, 367, 404-408  
See application file for complete search history.

D430,326 S *	8/2000	Littman	.....	D26/85
D439,359 S	3/2001	Feng		
D452,031 S	12/2001	Brunner et al.		
D459,831 S	7/2002	Dolan		
D486,600 S	2/2004	Coe		
D544,131 S	6/2007	Blackman		
D579,599 S	10/2008	Salatto-Rose		
D582,089 S	12/2008	Gotz-Schafer		
D601,746 S	10/2009	Sabernig		
D626,680 S	11/2010	Verelst		
D646,425 S *	10/2011	Crosby	.....	D26/85
D654,212 S	2/2012	Blum et al.		
D677,823 S *	3/2013	Haverfield	.....	D26/85
D697,656 S *	1/2014	Sabernig	.....	D26/85
D698,072 S *	1/2014	Messisaen	.....	D26/85

\* cited by examiner

*Primary Examiner* — Clare E Heflin

(74) *Attorney, Agent, or Firm* — QuickPatents; Kevin Prince

(57) **CLAIM**

I claim the ornamental design for a tiled light cover, as shown and described.

(56) **References Cited**

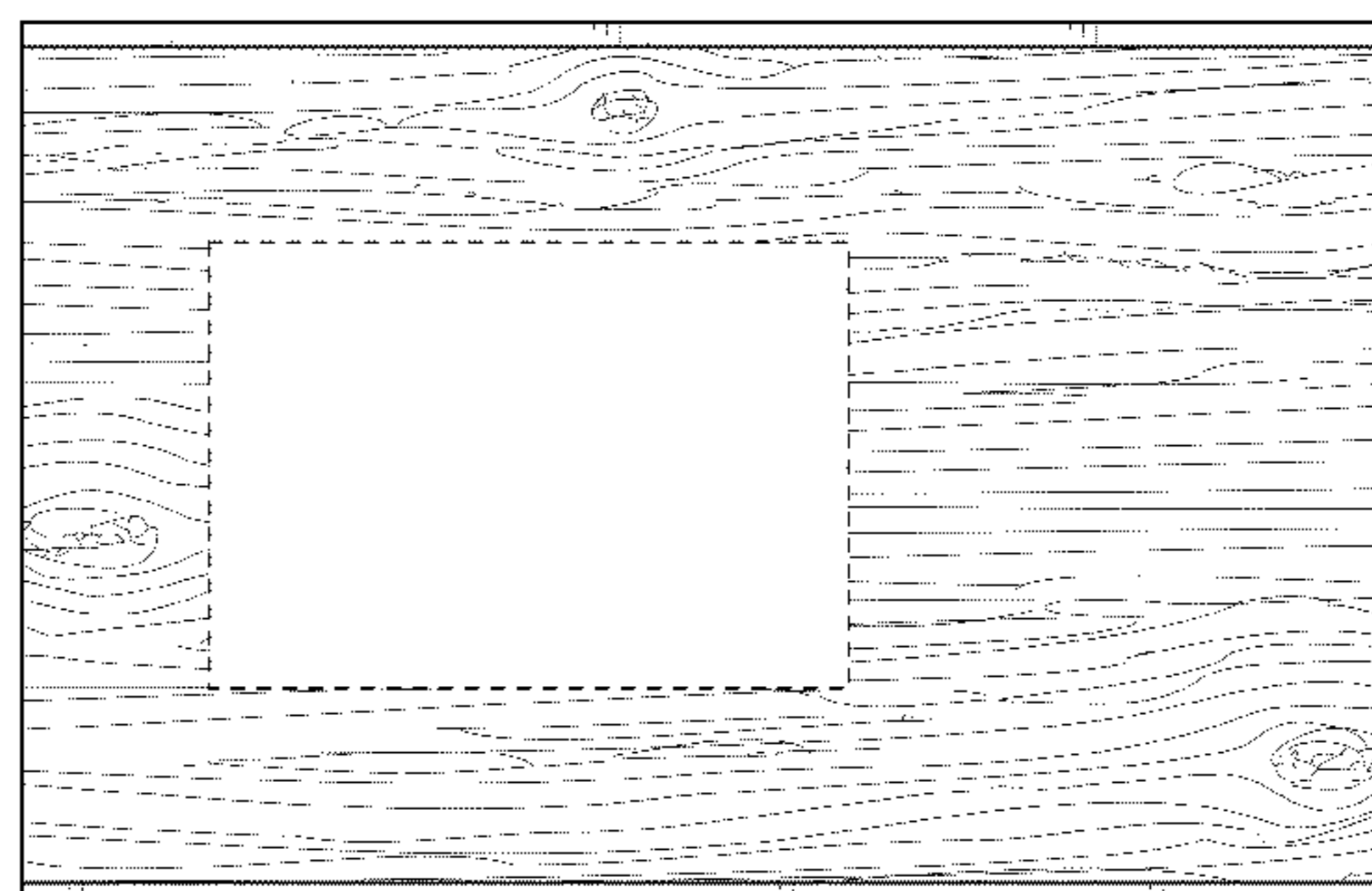
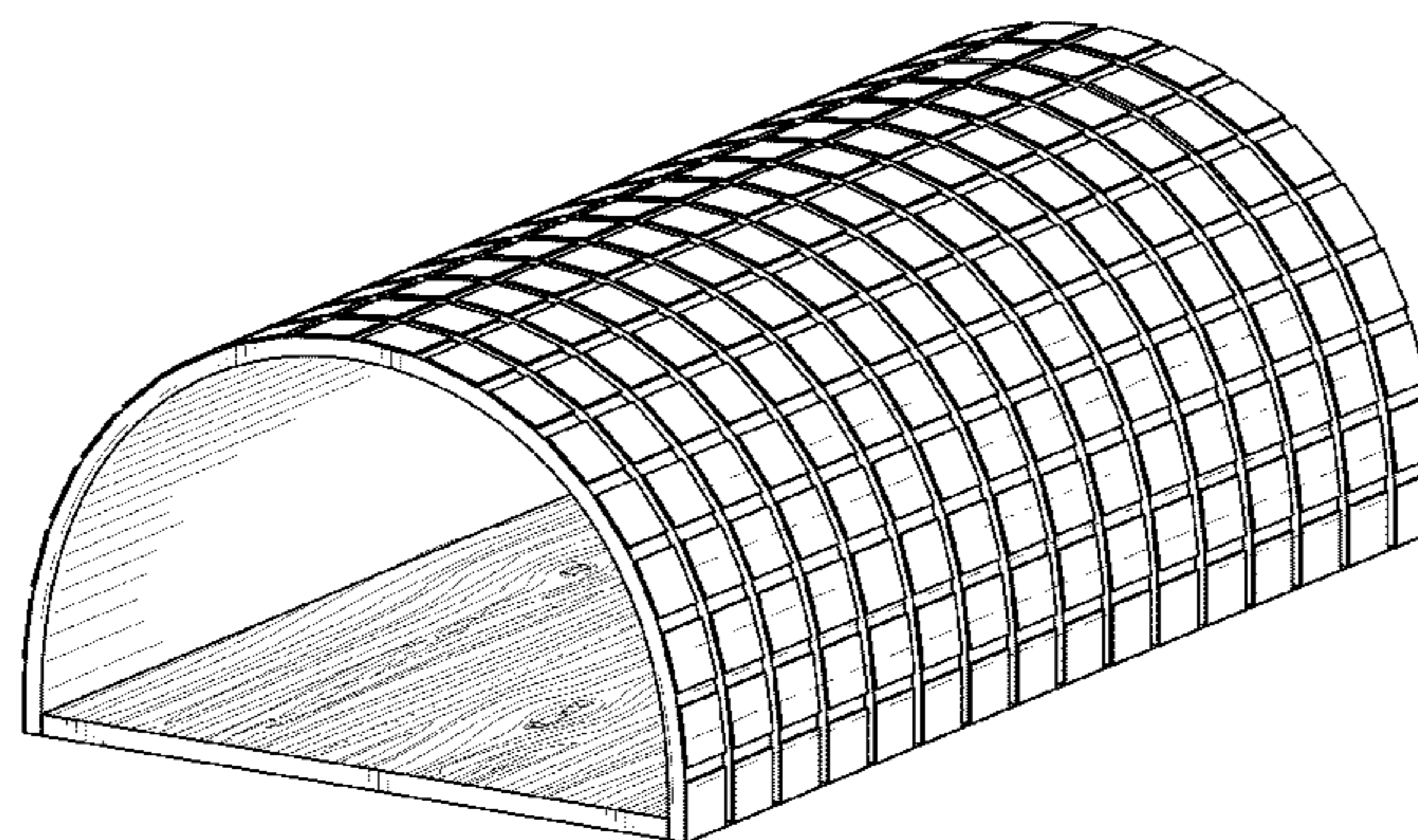
U.S. PATENT DOCUMENTS

D56,715 S	11/1920	Thompson
1,941,079 A	12/1933	Exelmans
2,293,672 A	8/1942	Bookman, Jr.
D166,370 S	4/1952	Wilson
D167,451 S	8/1952	Franck
D173,157 S	10/1954	Hurley
D271,811 S	12/1983	Luthe et al.
D309,790 S	8/1990	Botta
D315,421 S	3/1991	Goldschmidt
D326,728 S	6/1992	Layne
D339,203 S	9/1993	Namenye et al.
D368,977 S	4/1996	Keng
D404,164 S	1/1999	Vakil

**DESCRIPTION**

FIG. 1 is a perspective view of a tiled light cover, showing my new design;  
 FIG. 2 is a top plan view thereof, the bottom plan view being a mirror image thereof;  
 FIG. 3 is a left-side elevational view thereof, the right-side elevational view being a mirror image thereof;  
 FIG. 4 is a front elevational view thereof; and,  
 FIG. 5 is a rear elevational view thereof.  
 The broken lines showing a mounting aperture in the rear surface of the design form no part of the claimed design.

**1 Claim, 3 Drawing Sheets**



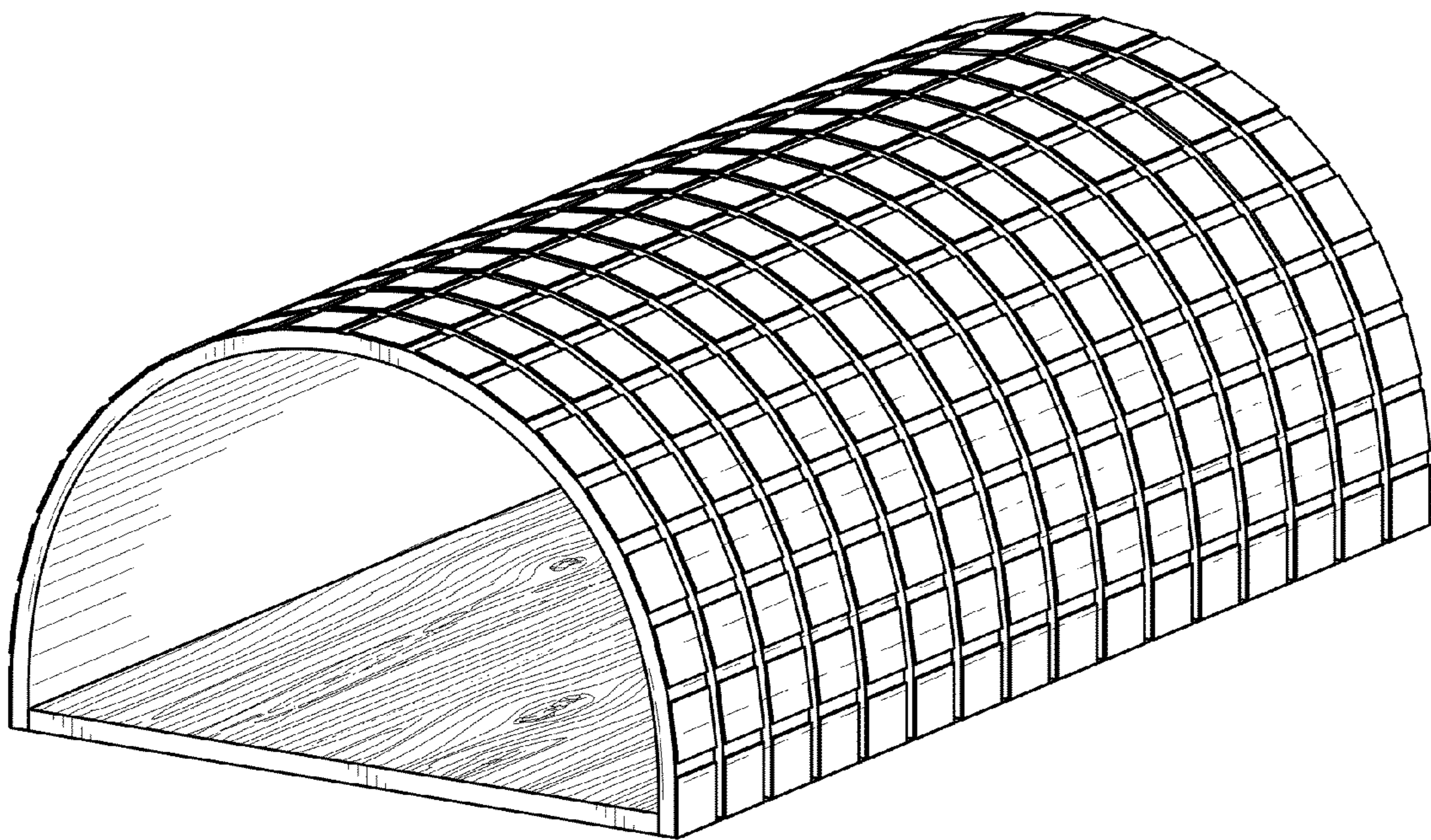


FIG. 1

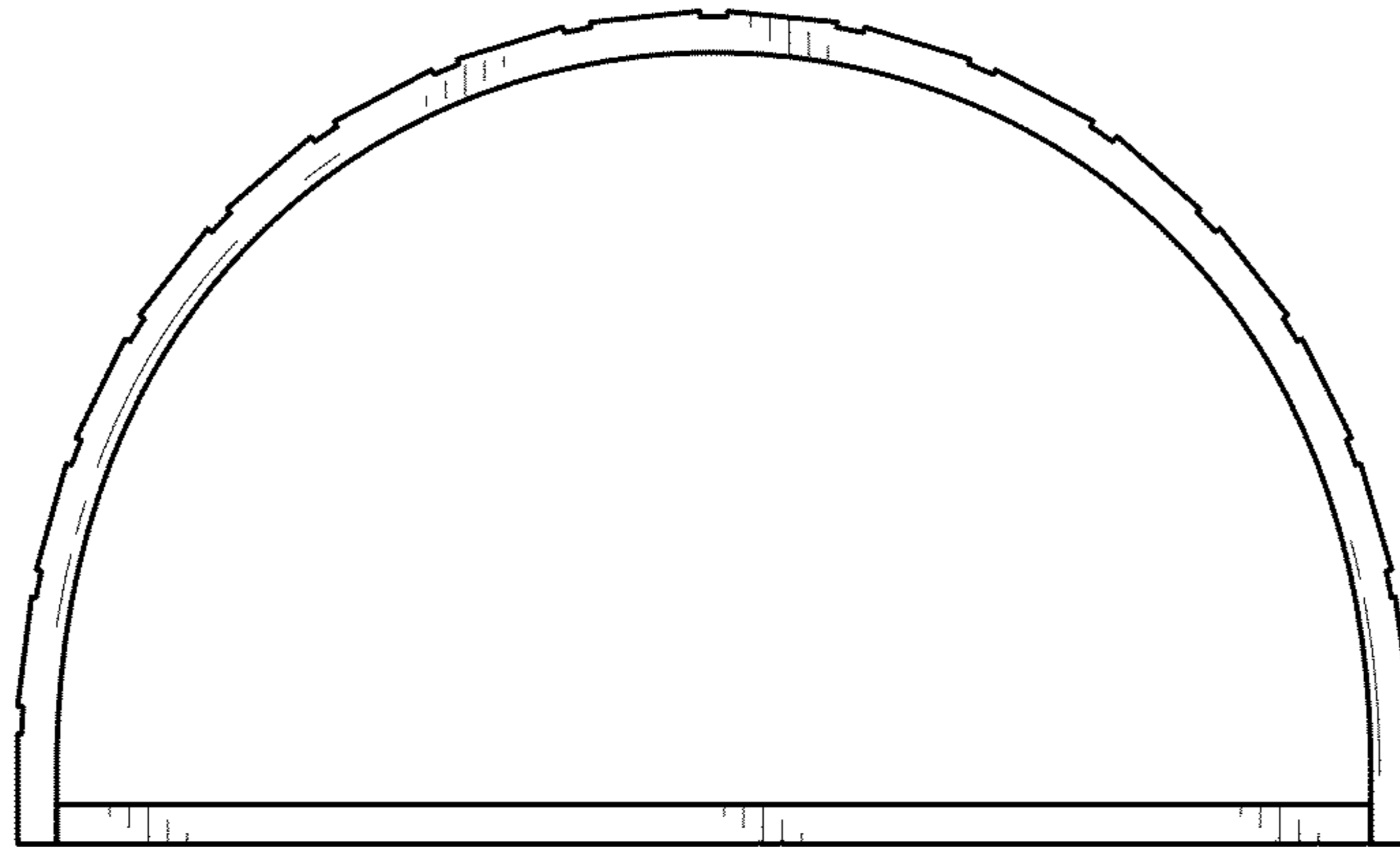


FIG. 2

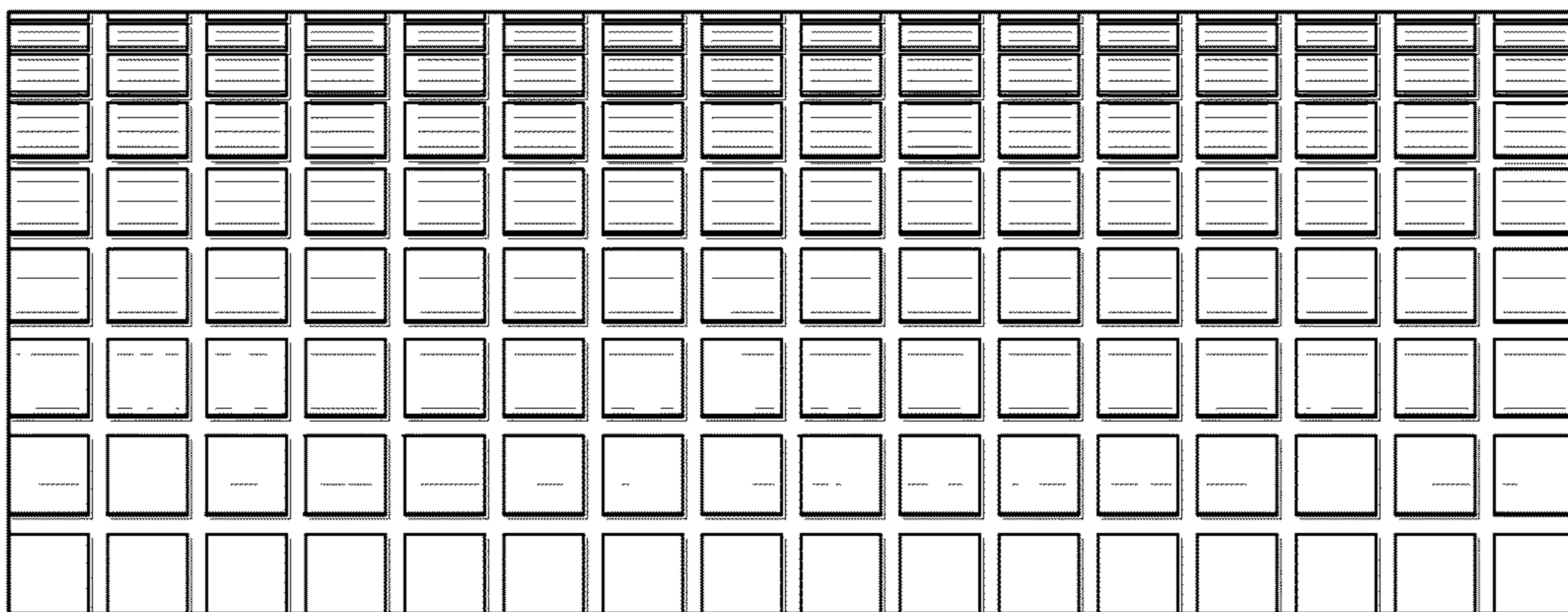


FIG. 3

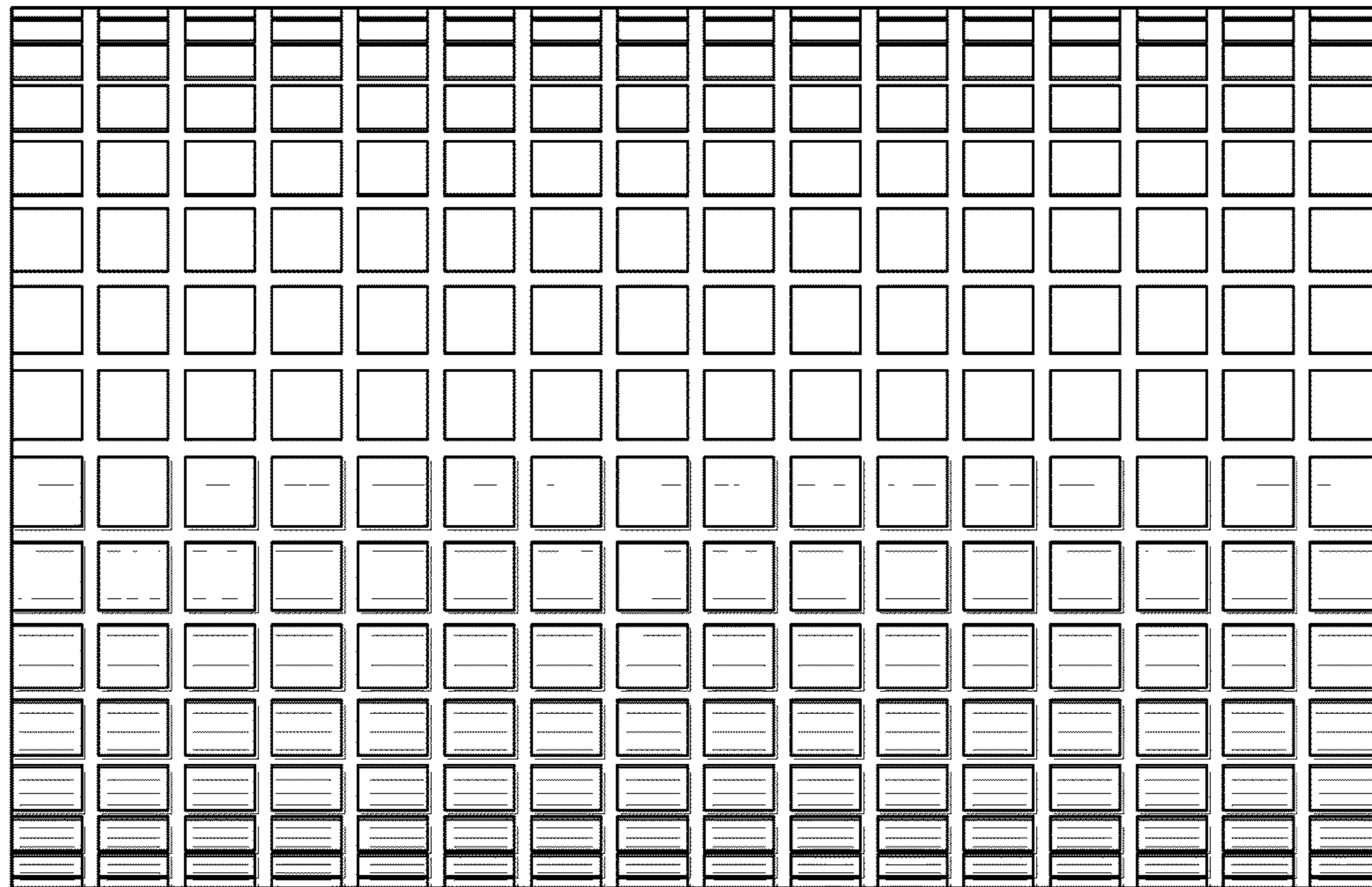


FIG. 4

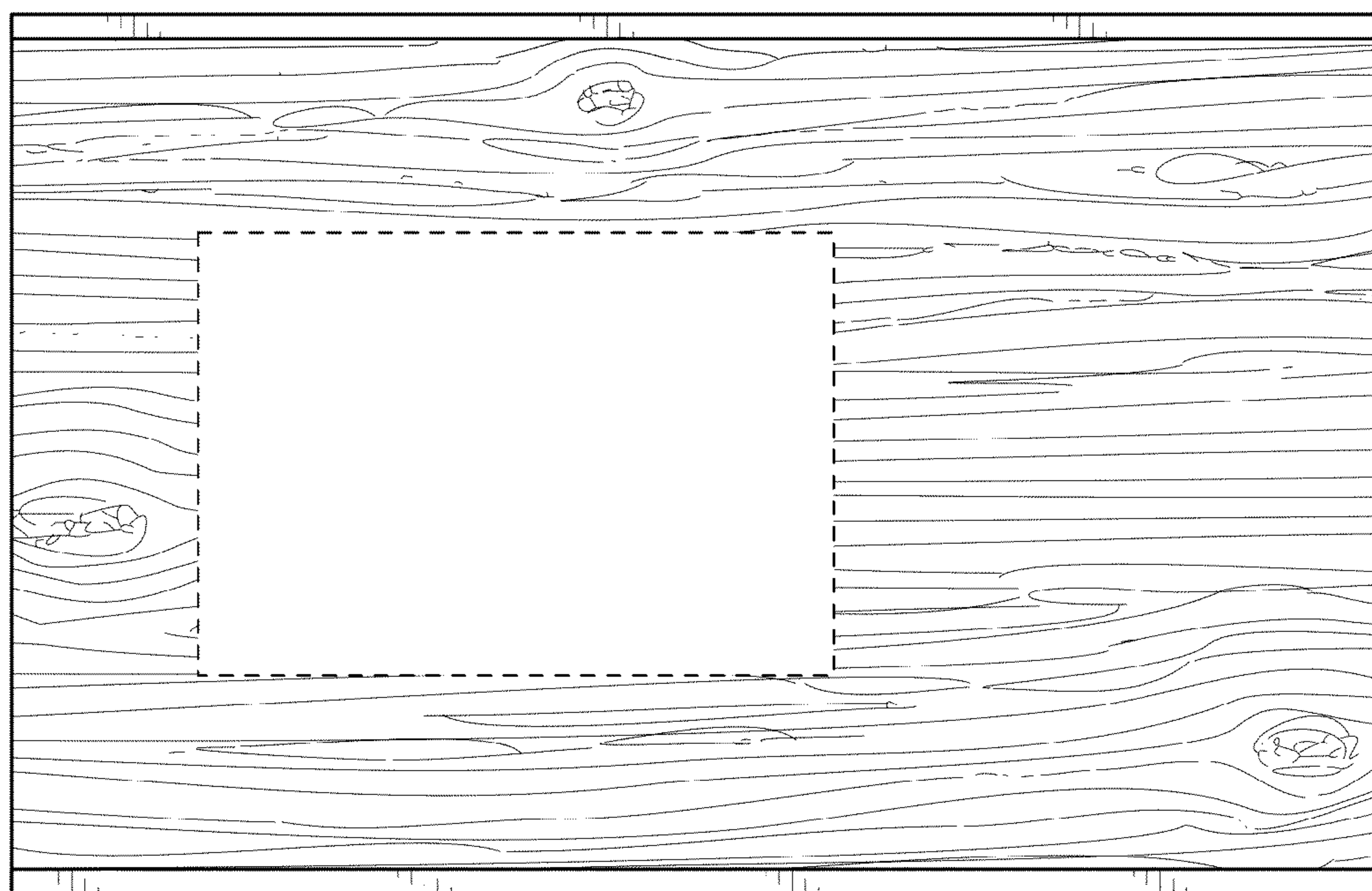


FIG. 5