

US00D720875S

(12) **United States Design Patent**
Greenwaldt

(10) **Patent No.:** **US D720,875 S**

(45) **Date of Patent:** **** Jan. 6, 2015**

(54) **LIGHT FIXTURE**

(71) Applicant: **Phoenix Products Company, Inc.**,
Milwaukee, WI (US)

(72) Inventor: **Erwin W. Greenwaldt**, Milwaukee, WI
(US)

(73) Assignee: **Phoenix Products Company, Inc.**,
Milwaukee, WI (US)

(**) Term: **14 Years**

(21) Appl. No.: **29/482,277**

(22) Filed: **Feb. 17, 2014**

(51) **LOC (10) Cl.** **26-05**

(52) **U.S. Cl.**
USPC **D26/72**

(58) **Field of Classification Search**
USPC D26/58, 72, 75-79, 80; 362/133, 147,
362/217.01-219, 221-223, 217.02-217.08,
362/217.1, 249.02

See application file for complete search history.

(56) **References Cited**

U.S. PATENT DOCUMENTS

908,838	A *	1/1909	Brown	362/322
D98,852	S *	3/1936	Canning	D26/77
D117,874	S *	11/1939	Caverly	362/341
D118,515	S *	1/1940	Summerour et al.	D26/77
D122,582	S *	9/1940	Biller	D26/76
D123,762	S *	12/1940	Pieper	D26/76
D123,769	S *	12/1940	Scribner	D26/77
D125,927	S *	3/1941	Parisson	D26/76
D127,397	S *	5/1941	Johnston	D26/76
D130,810	S *	12/1941	Baker	D26/76
D139,000	S *	10/1944	Meyer	D26/76
D155,123	S *	9/1949	Boynon	D26/80
D157,547	S *	2/1950	Versen	D26/77
D327,956	S *	7/1992	Dieperink	D26/77
D348,948	S *	7/1994	Chen	D26/80

D363,805	S *	10/1995	Cole, Jr.	D26/76
D637,338	S *	5/2011	Kong et al.	D26/88
8,142,047	B2 *	3/2012	Acampora et al.	362/217.01
D659,880	S *	5/2012	Maxik et al.	D26/80
D670,020	S *	10/2012	Herremans	D26/88

OTHER PUBLICATIONS

Dialight, DuroSite LED Linear Fixture, www.dialight.com/Assets/Brochures_and_Catalogs/Illumination/MDTDSSSLINX001.pdf; date unknown.

Dialight, DuroSite LED Linear Fixture, www.dialight.com/Assets/Brochures_and_Catalogs/Illumination/MDTDLINX001.pdf; date unknown.

Dialight, SafeSite LED Linear Fixture—UL 844, www.dialight.com/Assets/Brochures_and_Catalogs/Illumination/MDTFSLINX001.pdf; date unknown.

* cited by examiner

Primary Examiner — Clare E Heflin

(74) *Attorney, Agent, or Firm* — Whyte Hirschboeck Dudek SC

(57) **CLAIM**

The ornamental design for a light fixture, as shown and described.

DESCRIPTION

FIG. 1 is a bottom perspective view of an embodiment of a light fixture;

FIG. 2 is a top perspective view thereof;

FIG. 3 is a bottom plan view thereof;

FIG. 4 is a top plan view thereof;

FIG. 5 is a left side elevation view thereof;

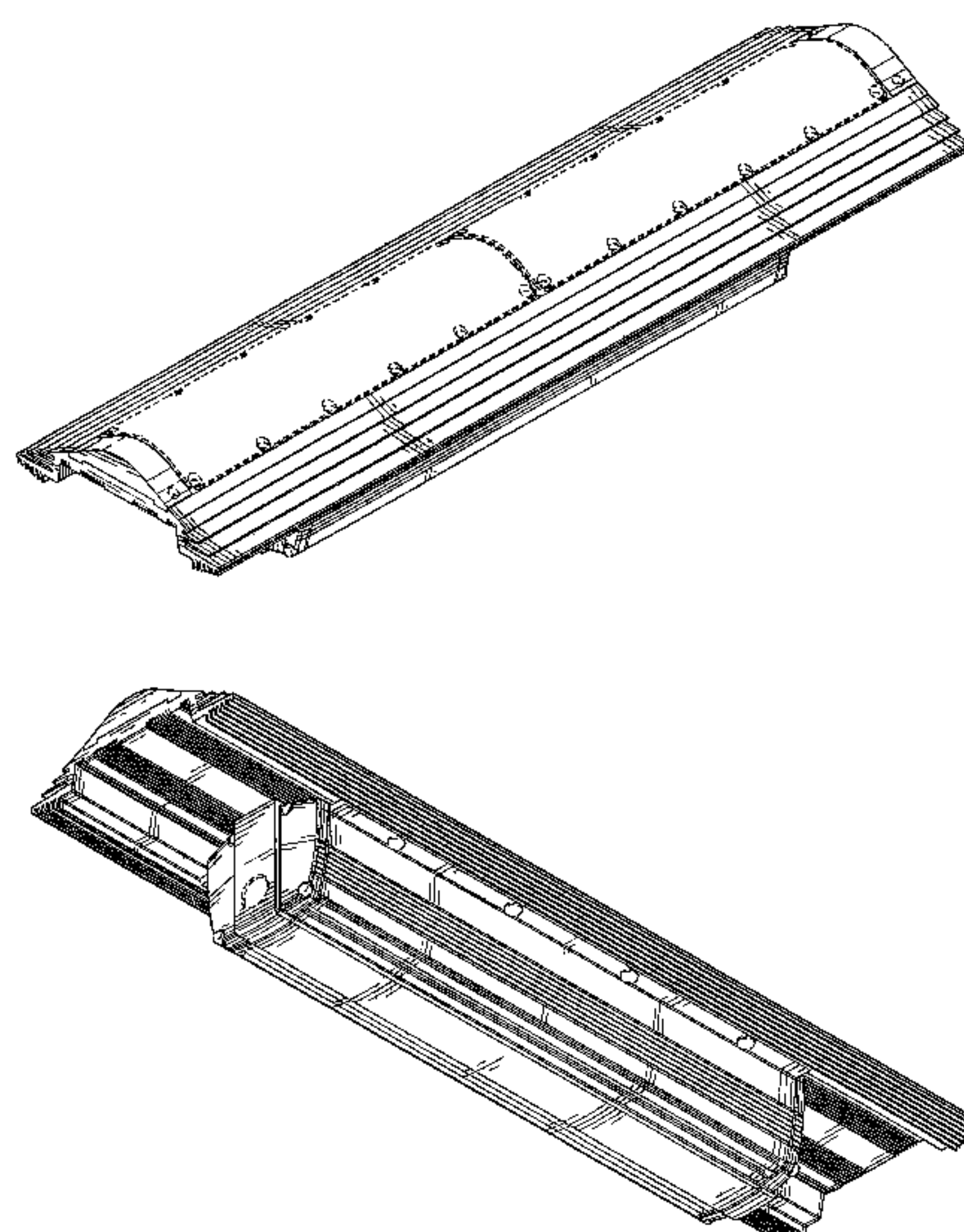
FIG. 6 is a right side elevation view thereof;

FIG. 7 is a front elevation view thereof; and,

FIG. 8 is a rear elevation view thereof.

The broken lines of FIGS. 1-8 illustrate portions of the light fixture that form no part of the claimed design.

1 Claim, 7 Drawing Sheets



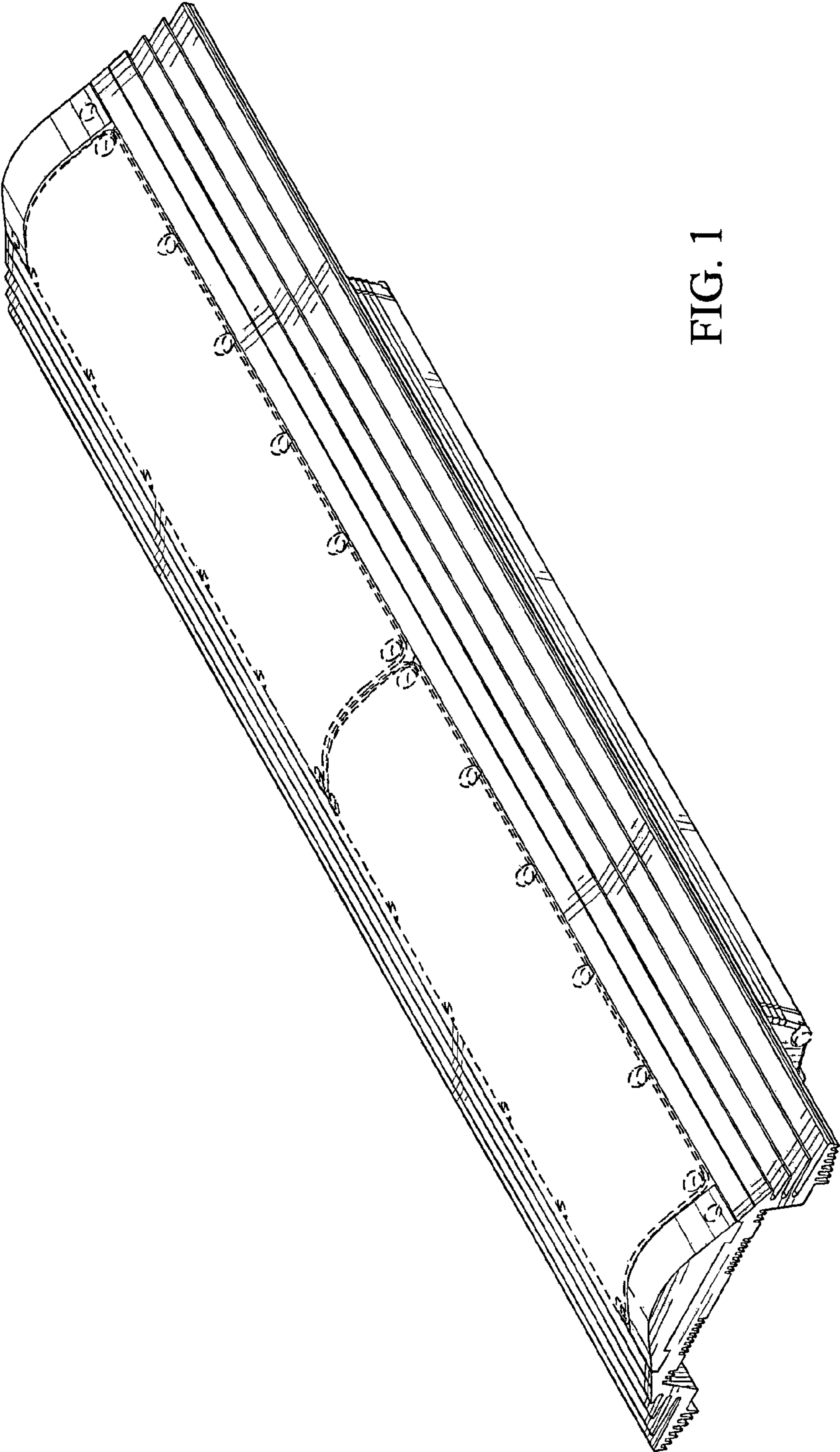


FIG. 1

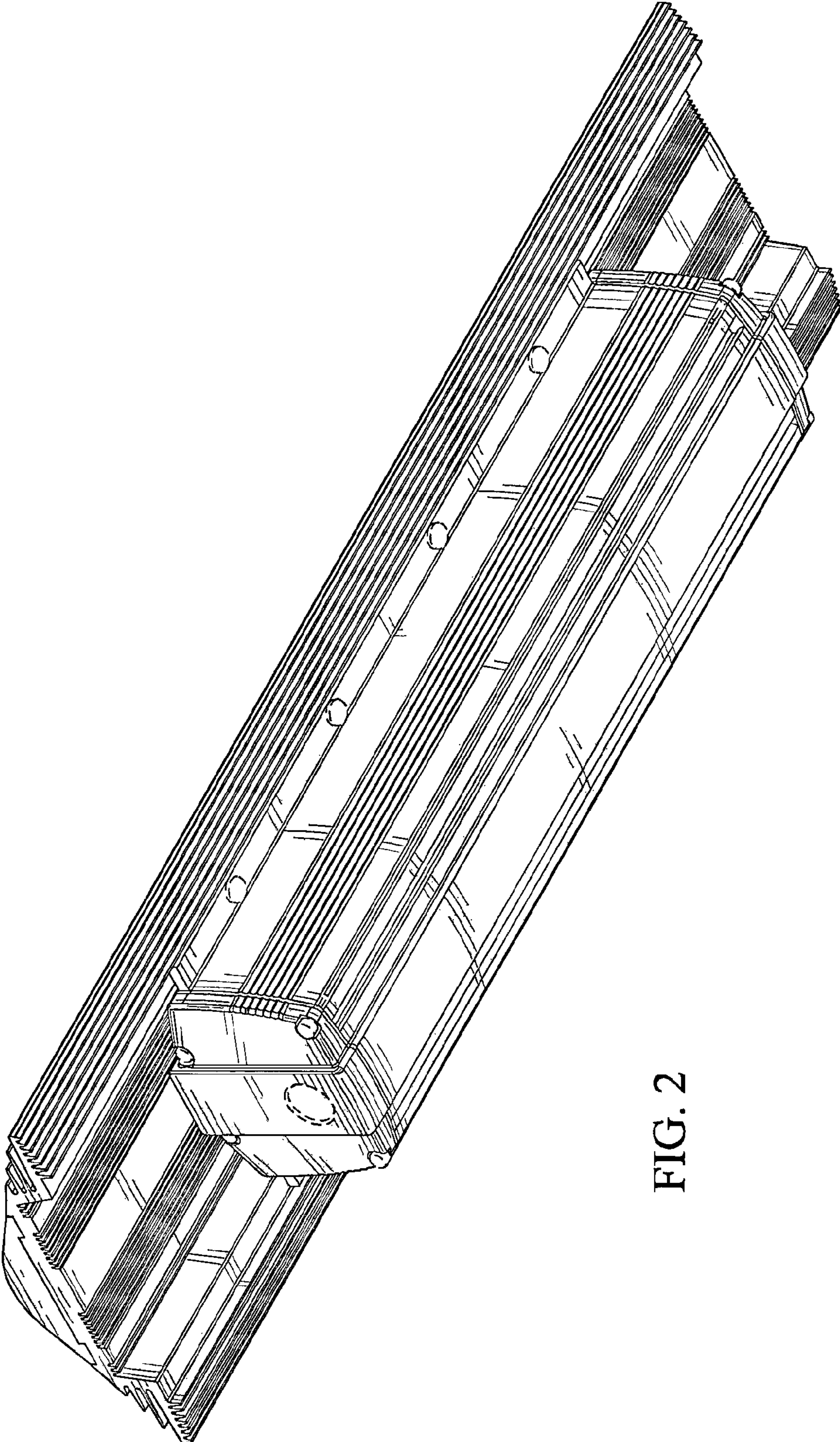


FIG. 2

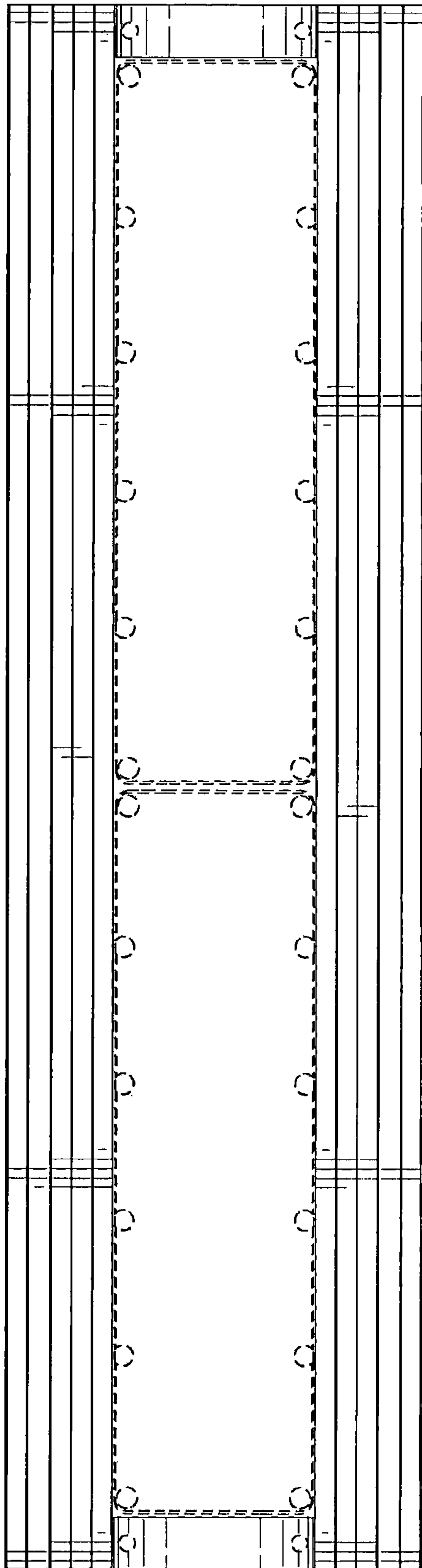


FIG. 3

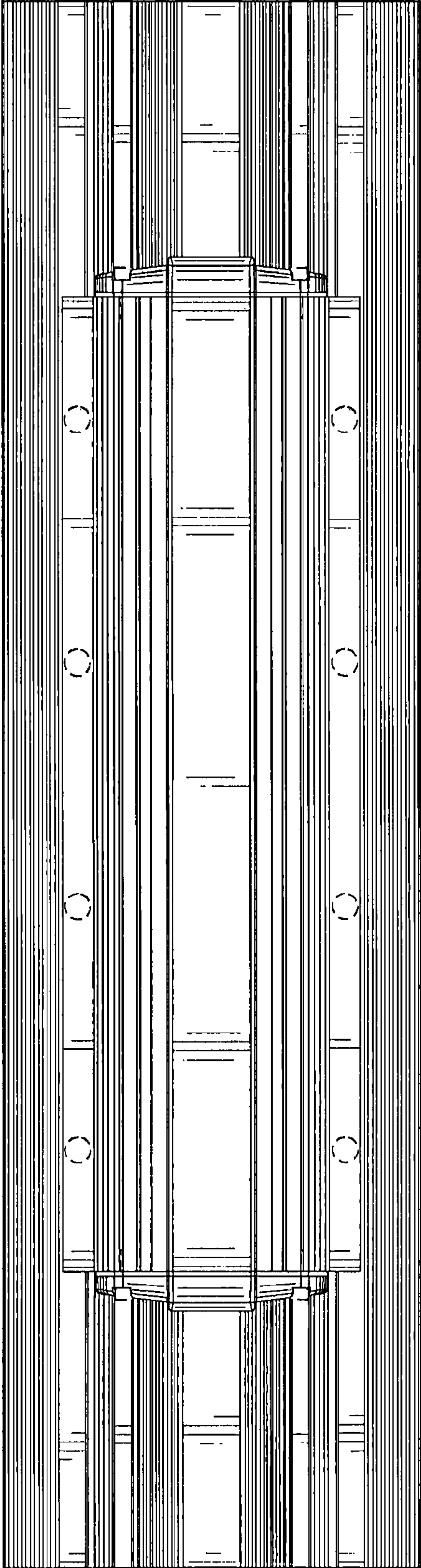


FIG. 4

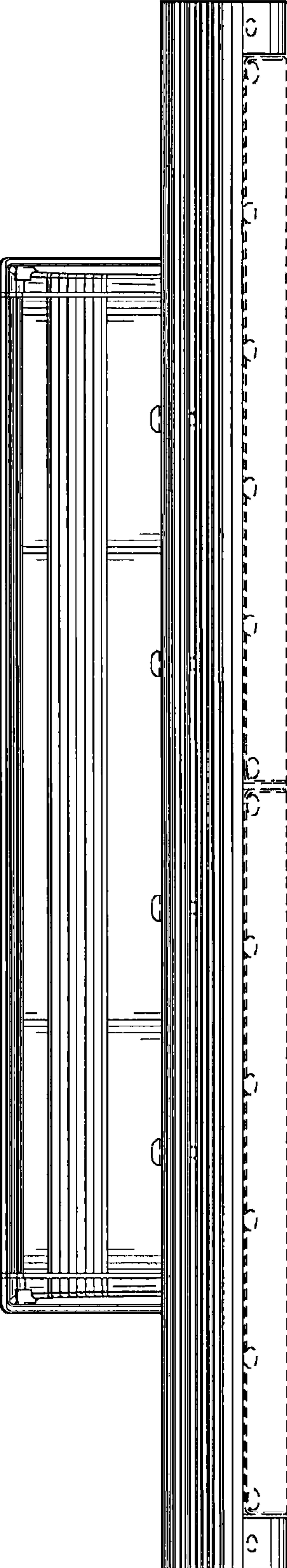


FIG. 5

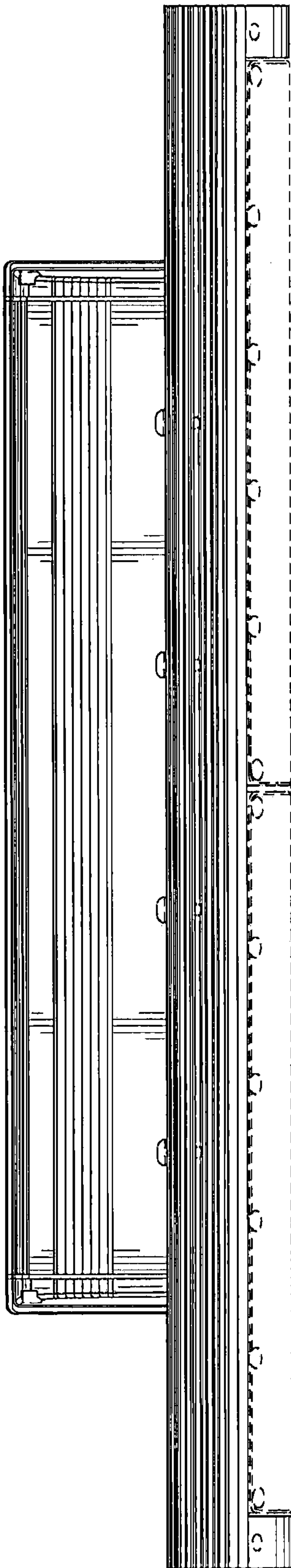


FIG. 6

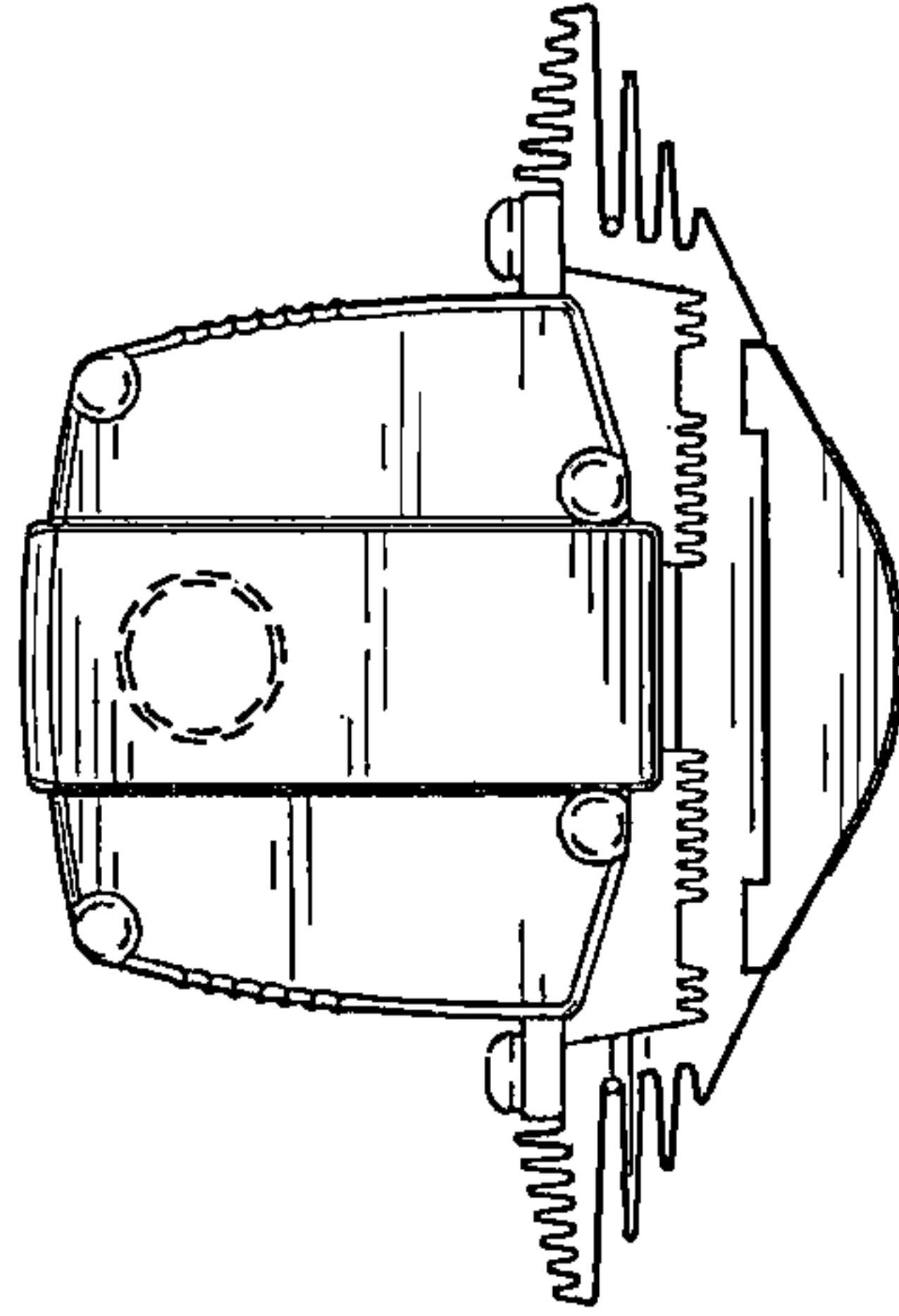


FIG. 8

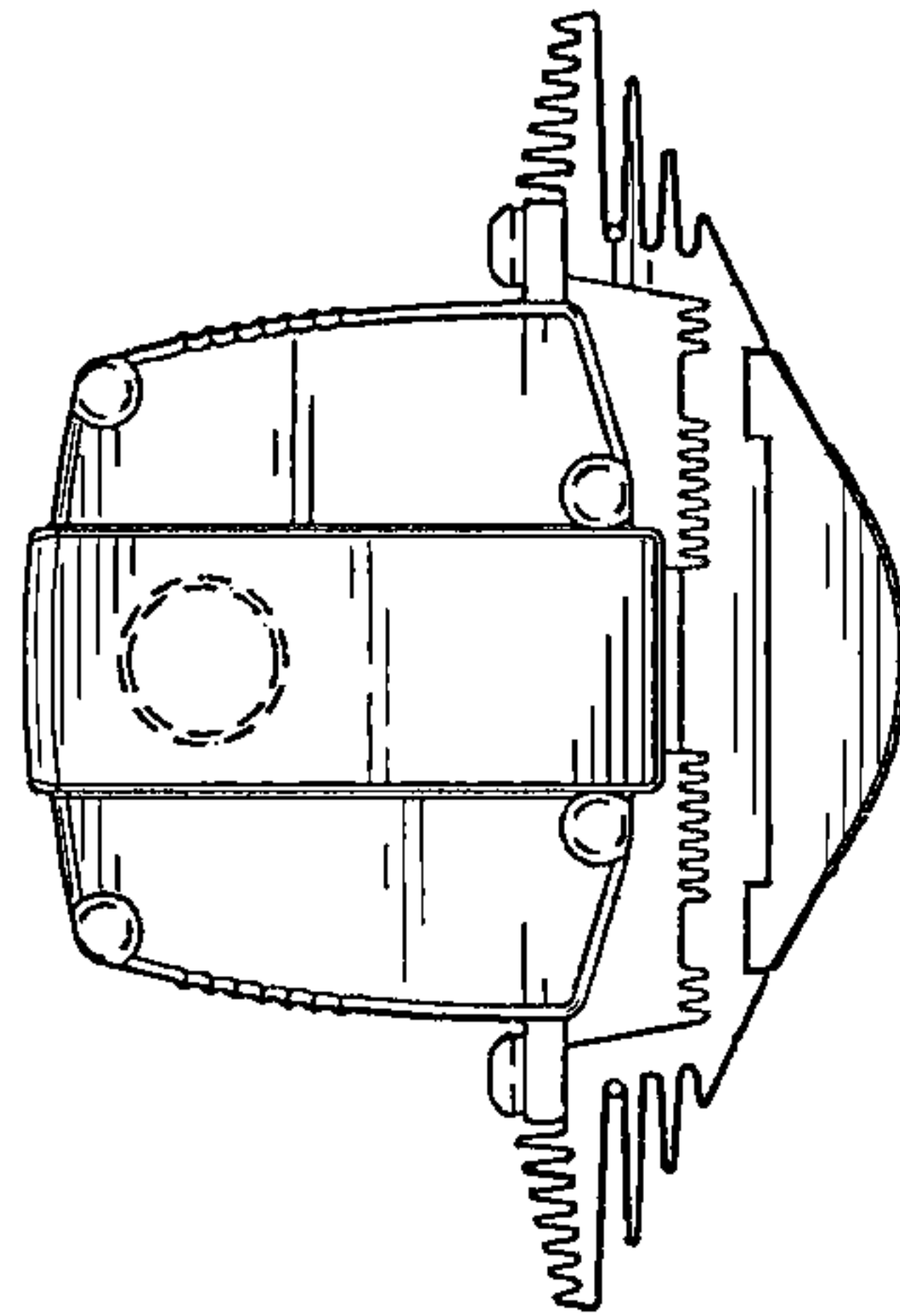


FIG. 7