



US00D720863S

(12) **United States Design Patent**
Perlman et al.

(10) **Patent No.:** **US D720,863 S**
(45) **Date of Patent:** **** Jan. 6, 2015**

- (54) **BASIN FOR INSTRUMENT REPROCESSOR**
- (75) Inventors: **Timothy J. Perlman**, Pleasanton, CA (US); **Sungwook Yang**, Tustin, CA (US); **Kurt M. Maw**, Salem, MA (US); **James Pelletier**, North Grafton, MA (US)
- (73) Assignee: **Ethicon, Inc.**, Somerville, NJ (US)
- (**) Term: **14 Years**
- (21) Appl. No.: **29/404,551**
- (22) Filed: **Oct. 21, 2011**
- (51) **LOC (10) Cl.** **28-03**
- (52) **U.S. Cl.**
USPC **D24/217**
- (58) **Field of Classification Search**
USPC D24/217; 134/18, 56 R
See application file for complete search history.

2009/0090390	A1 *	4/2009	Barnhill et al.	134/18
2009/0107528	A1 *	4/2009	Barnhill et al.	134/18
2009/0301523	A1 *	12/2009	Barnhill et al.	134/18

* cited by examiner

Primary Examiner — T. Chase Nelson
Assistant Examiner — Ania Aman

(57) **CLAIM**

The ornamental design for a basin for instrument reprocessor, as shown and described.

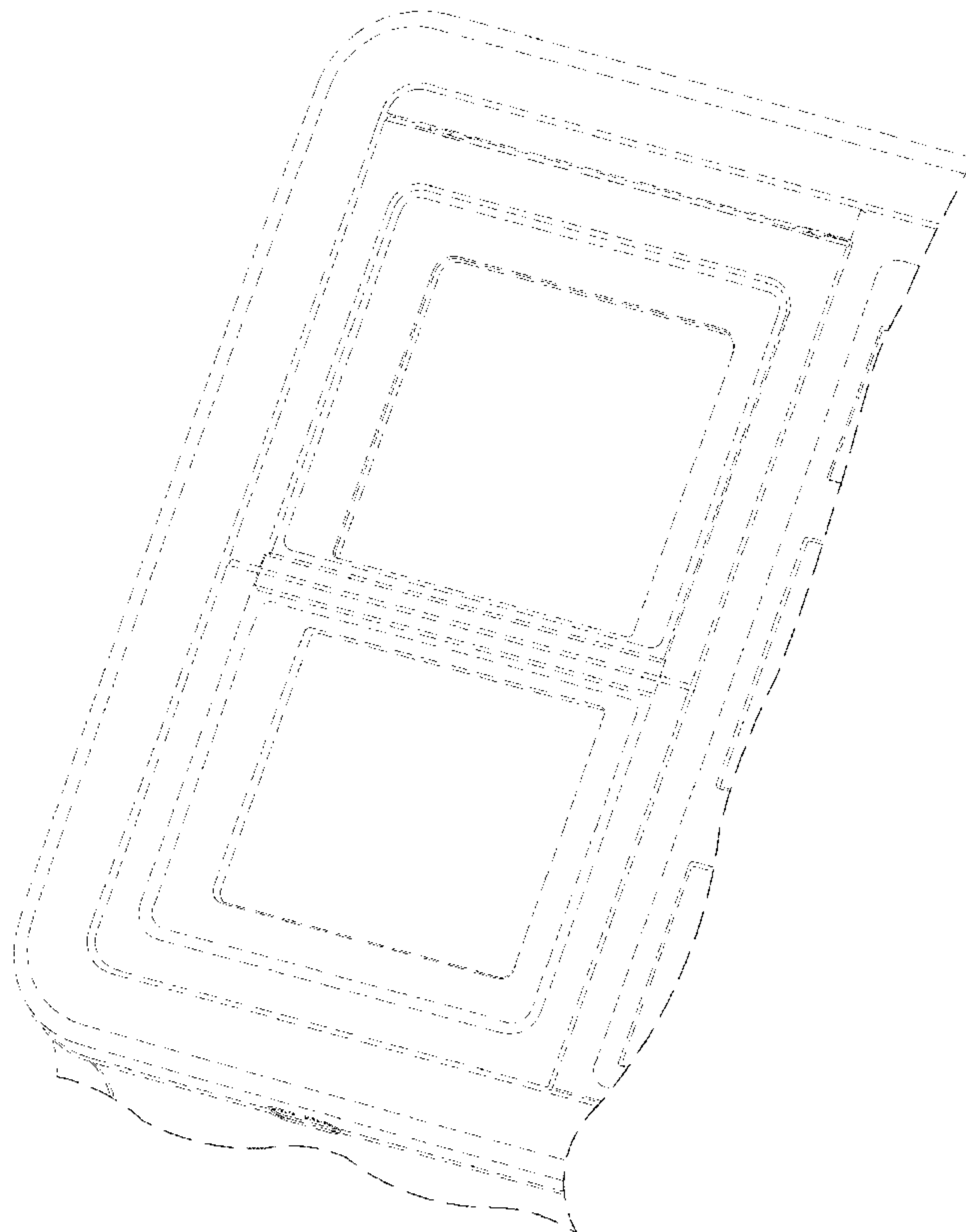
DESCRIPTION

FIG. 1 is a top perspective view of an embodiment of the basin for instrument reprocessor with a non-transparent lid covering the basin opening showing our new design;
 FIG. 2 is a top perspective view of another embodiment of the basin for instrument reprocessor with a transparent lid covering the basin opening;
 FIG. 3 is a top perspective view of the basin for instrument reprocessor depicted in FIG. 2 with the lid open;
 FIG. 4 is a top perspective view of the basin for instrument reprocessor of FIG. 2 with the lid open; and,
 FIG. 5 is a top plan view of the basin for instrument reprocessor of FIG. 2 with the lid open.

In the drawings, the broken lines depict unclaimed subject matter only and form no part of the claimed design.

1 Claim, 5 Drawing Sheets

- (56) **References Cited**
U.S. PATENT DOCUMENTS
D415,323 S * 10/1999 Rastelli D32/1
D663,429 S * 7/2012 Swanek D24/185
2007/0193605 A1 * 8/2007 Kuroshima et al. 134/18
2008/0210280 A1 * 9/2008 Publ 134/57 R
2009/0084407 A1 * 4/2009 Glenn et al. 134/18



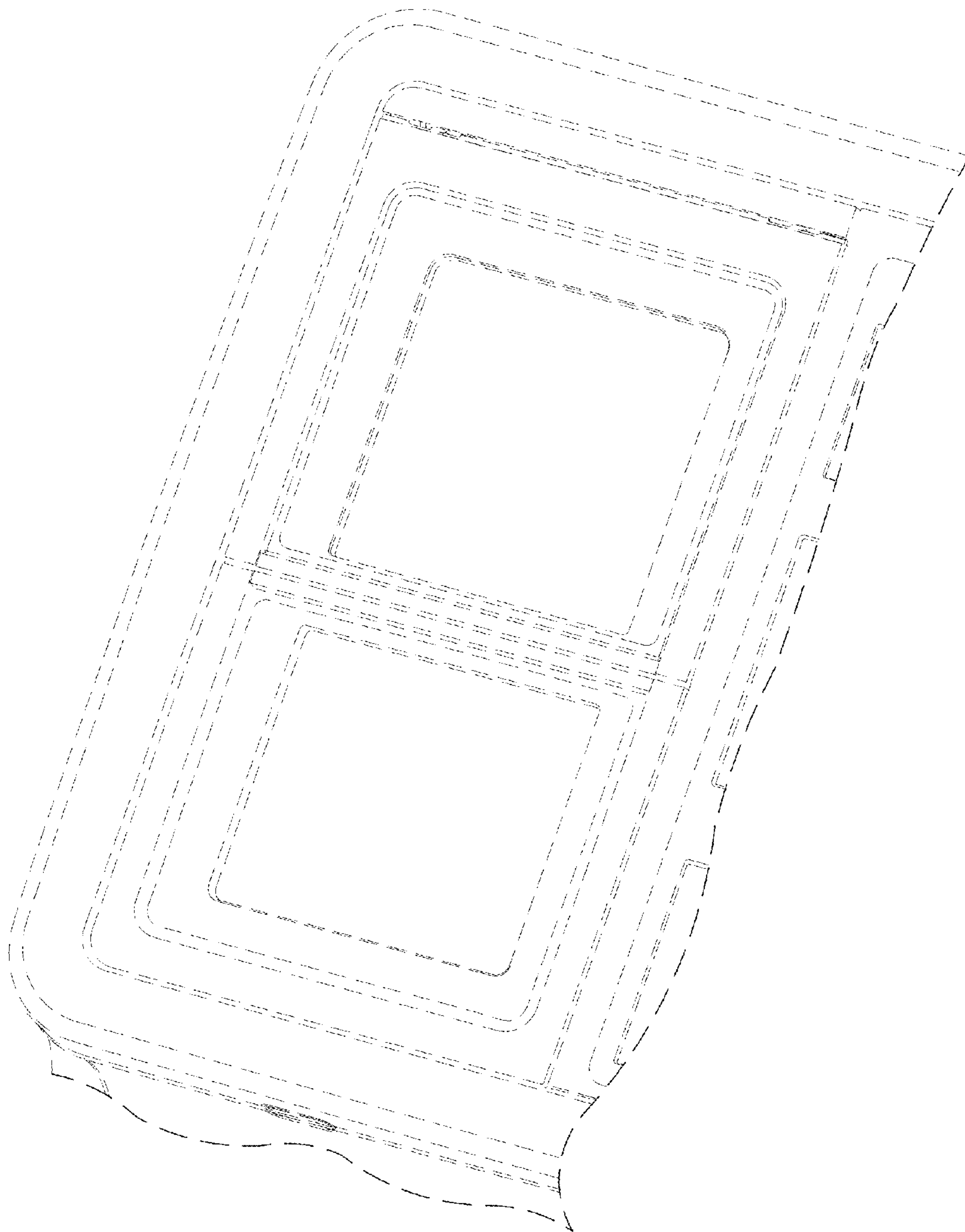


FIG. 1

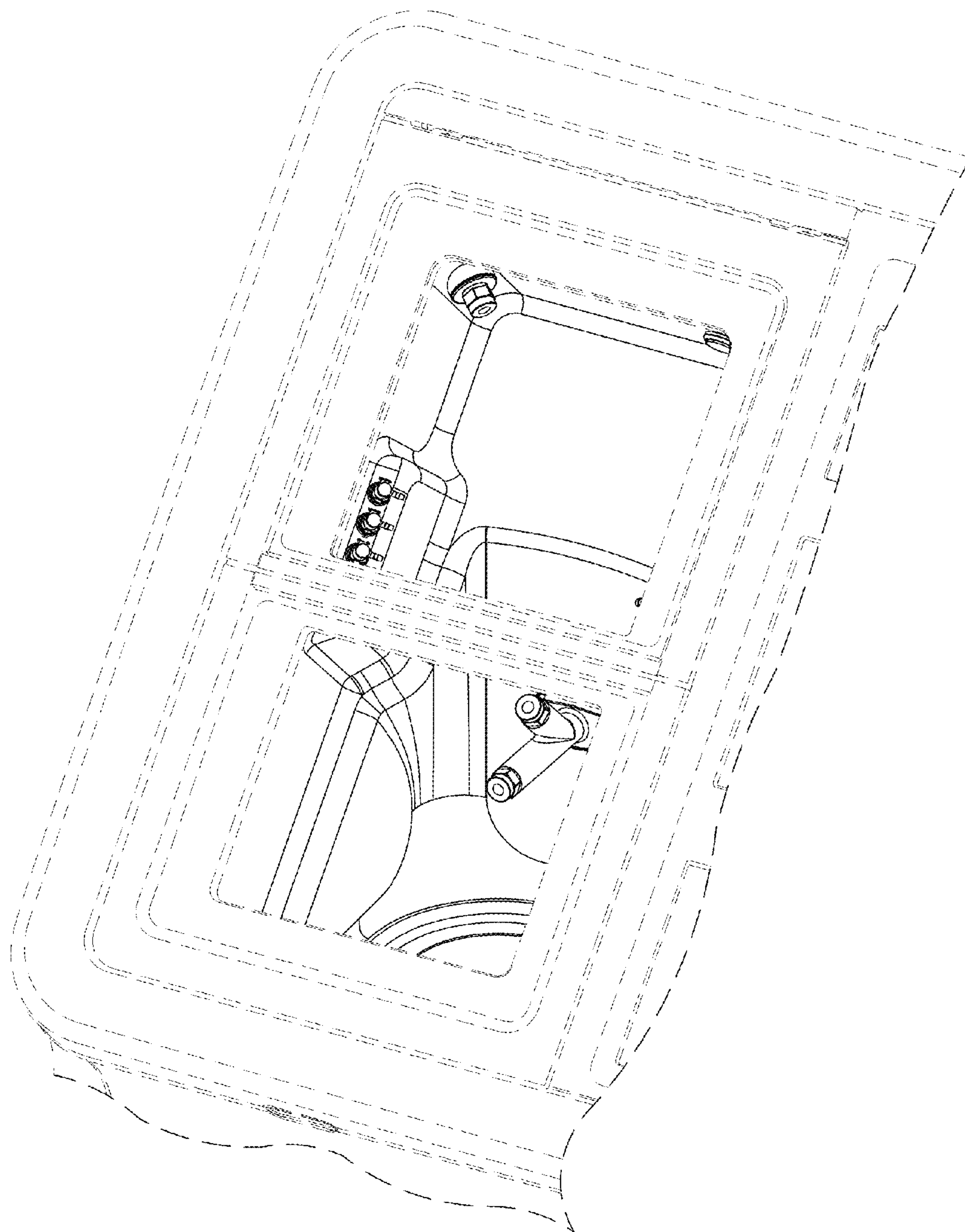


FIG. 2

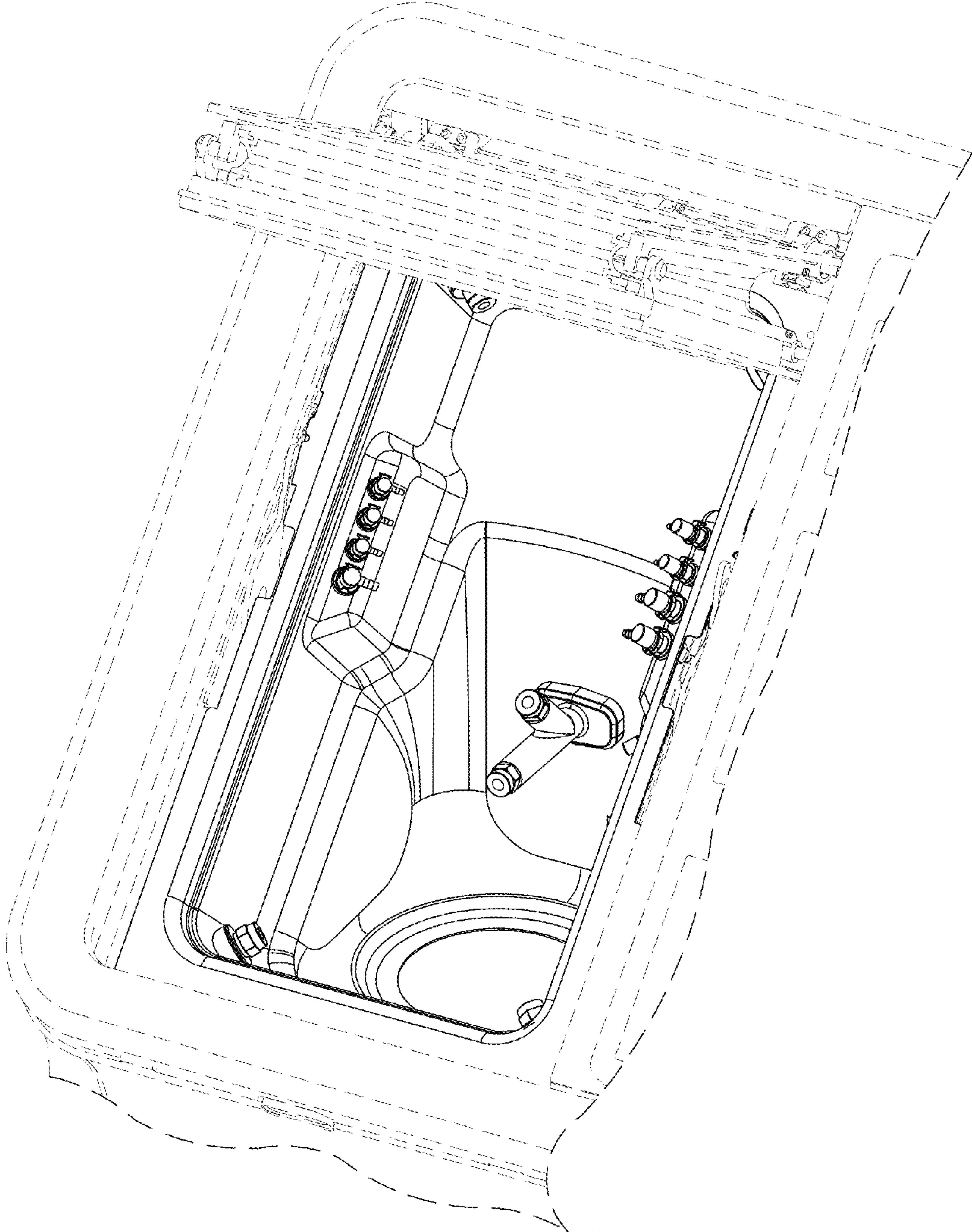


FIG. 3

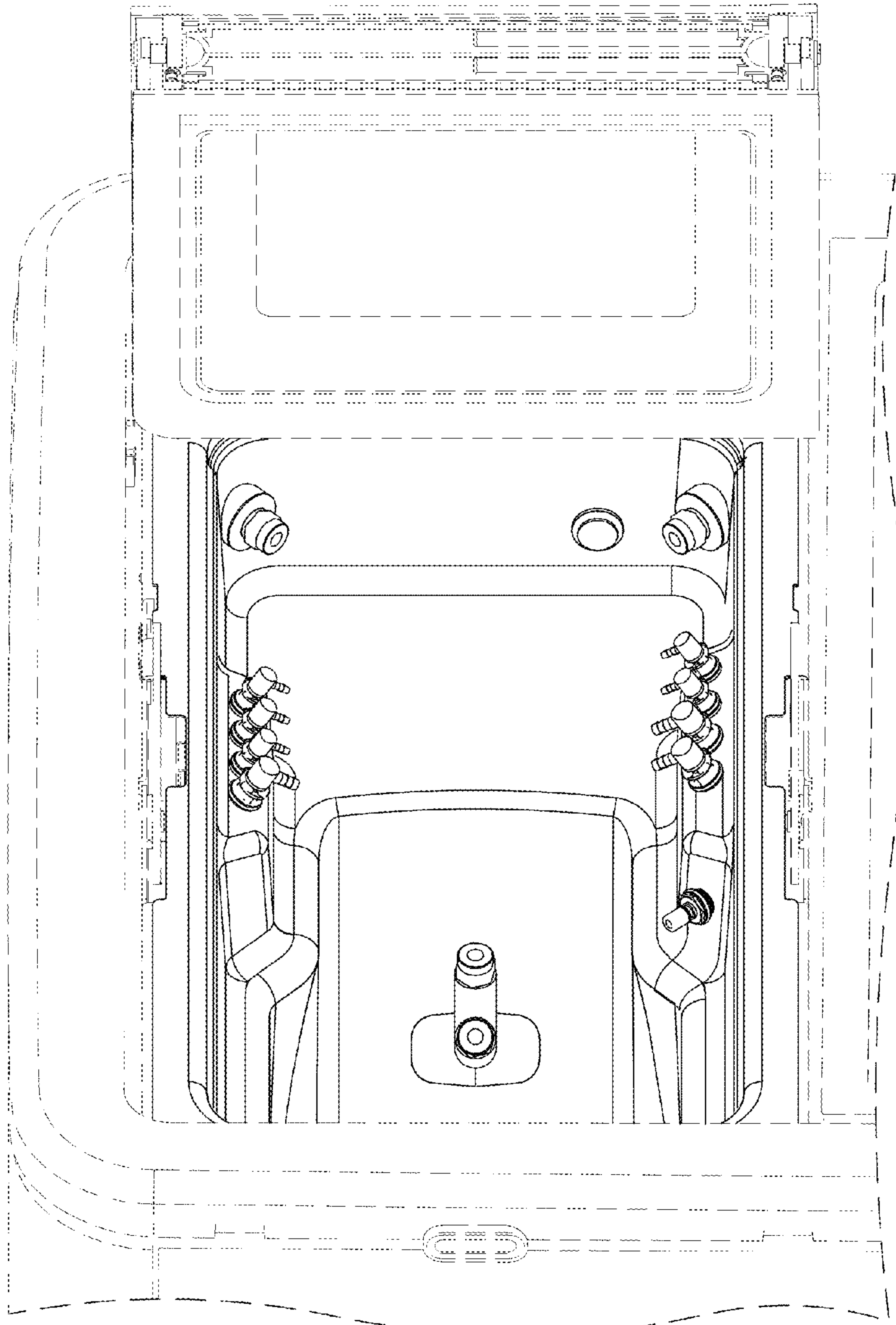


FIG. 4

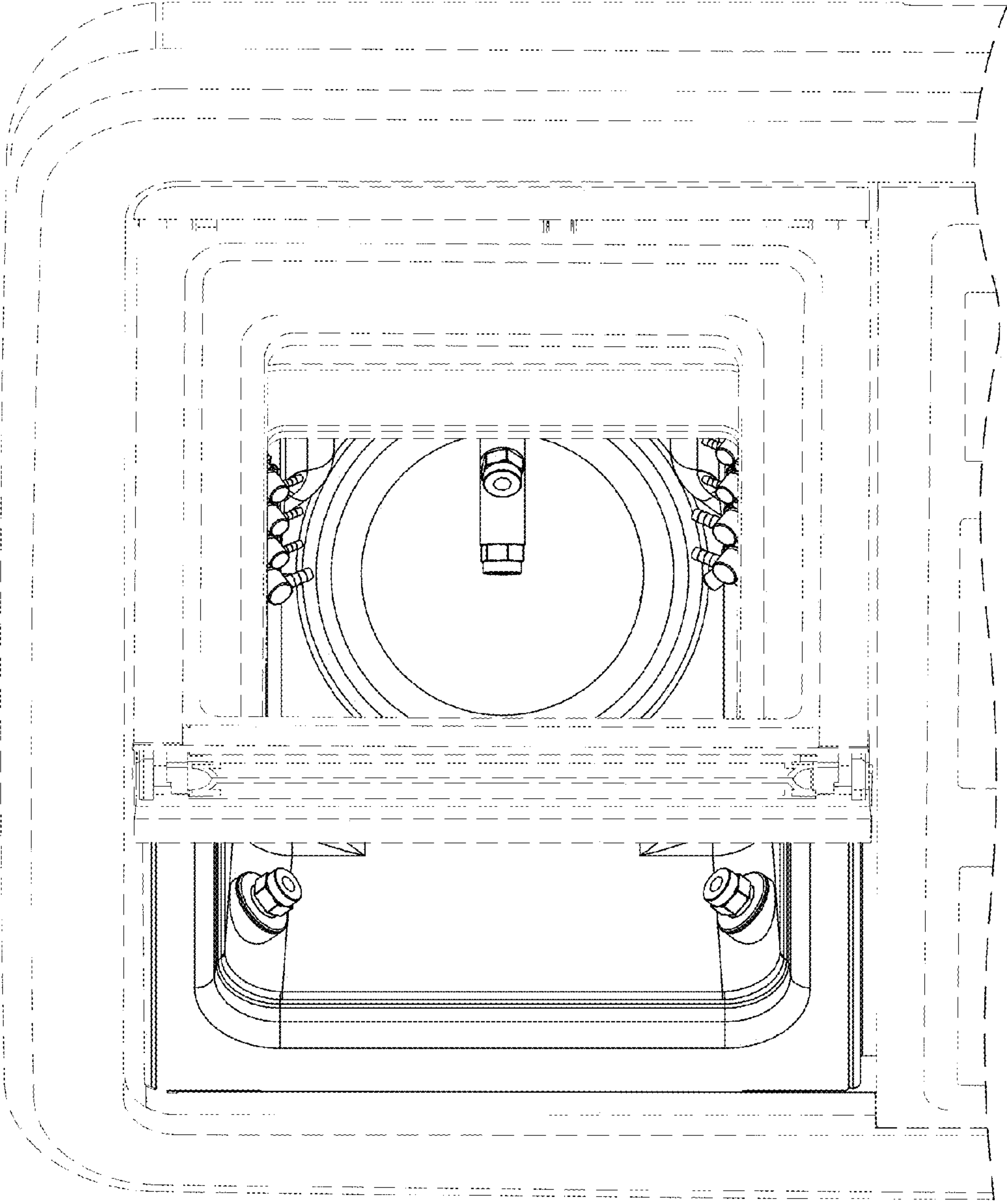


FIG. 5