



US00D720861S

(12) **United States Design Patent**
Rust Huthmaker

(10) **Patent No.:** **US D720,861 S**
(45) **Date of Patent:** **** Jan. 6, 2015**

(54) **TOE SEPARATOR**

(71) Applicant: **Kathleen Elisabeth Rust Huthmaker**,
Alpharetta, GA (US)

(72) Inventor: **Kathleen Elisabeth Rust Huthmaker**,
Alpharetta, GA (US)

(**) Term: **14 Years**

(21) Appl. No.: **29/467,694**

(22) Filed: **Sep. 23, 2013**

(51) **LOC (10) Cl.** **24-01**

(52) **U.S. Cl.**
USPC **D24/192**

(58) **Field of Classification Search**
USPC D24/190, 192; 602/11, 23, 30, 31;
128/893, 894; 132/73
See application file for complete search history.

(56) **References Cited**

U.S. PATENT DOCUMENTS

D121,576	S	*	7/1940	Scholl	D24/189
3,196,869	A	*	7/1965	Scholl	602/30
D385,354	S	*	10/1997	Fabricant	D24/189
D415,858	S	*	10/1999	Funatogawa	D28/56
D484,985	S	*	1/2004	Takizawa et al.	D24/206
D494,276	S	*	8/2004	Joseph	D24/192
D519,239	S	*	4/2006	Katagiri	D28/4
D604,857	S	*	11/2009	Troutman	D24/192
7,735,243	B1	*	6/2010	Gilkey et al.	36/94

D661,429	S	*	6/2012	Huthmaker	D28/57
D696,819	S	*	12/2013	Huthmaker	D28/57
2009/0093345	A1	*	4/2009	Findeisen	482/47
2013/0203556	A1	*	8/2013	Ferri	482/1

* cited by examiner

Primary Examiner — Eric Goodman

Assistant Examiner — Jennifer Watkins

(74) *Attorney, Agent, or Firm* — Pearne & Gordon LLP

(57) **CLAIM**

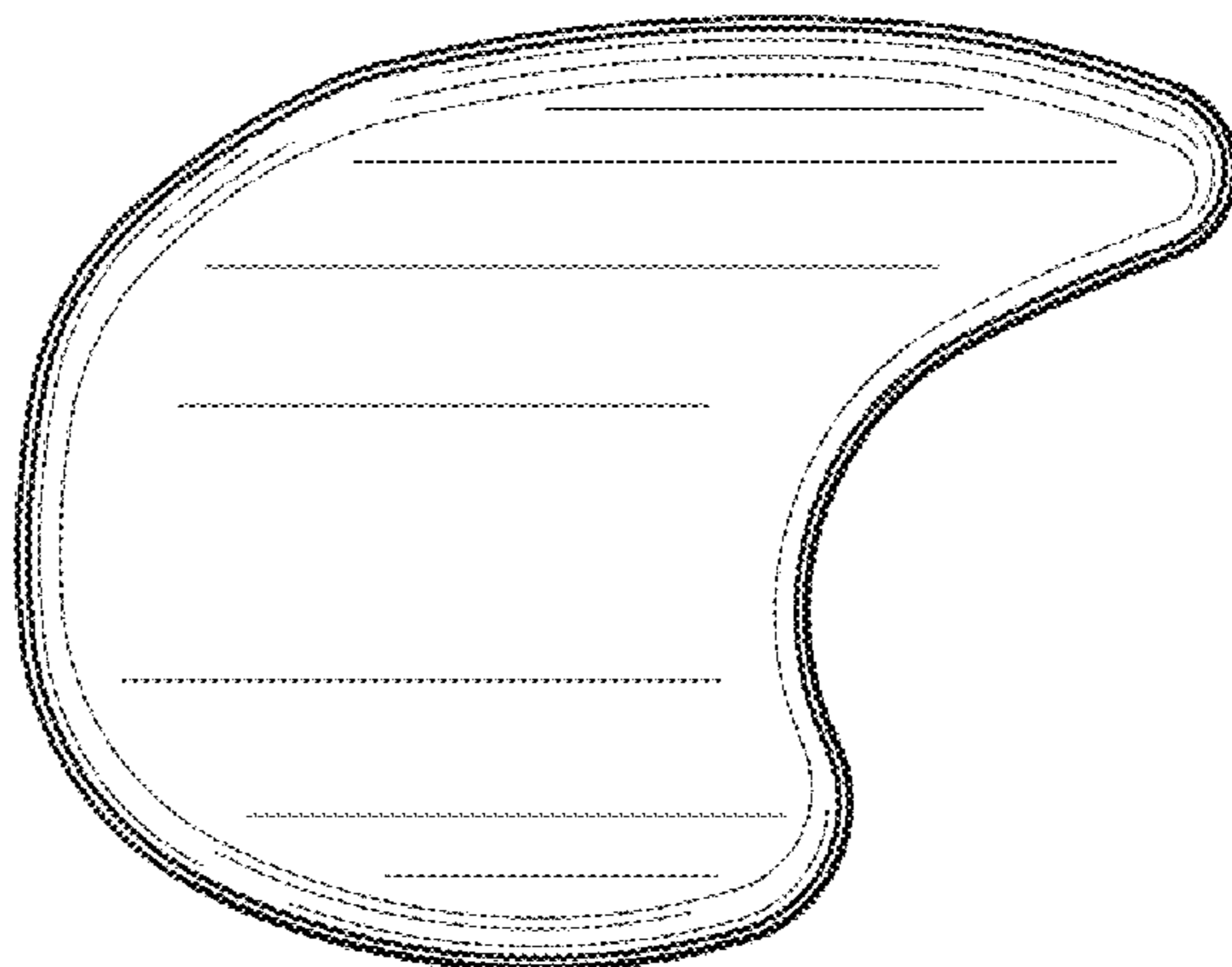
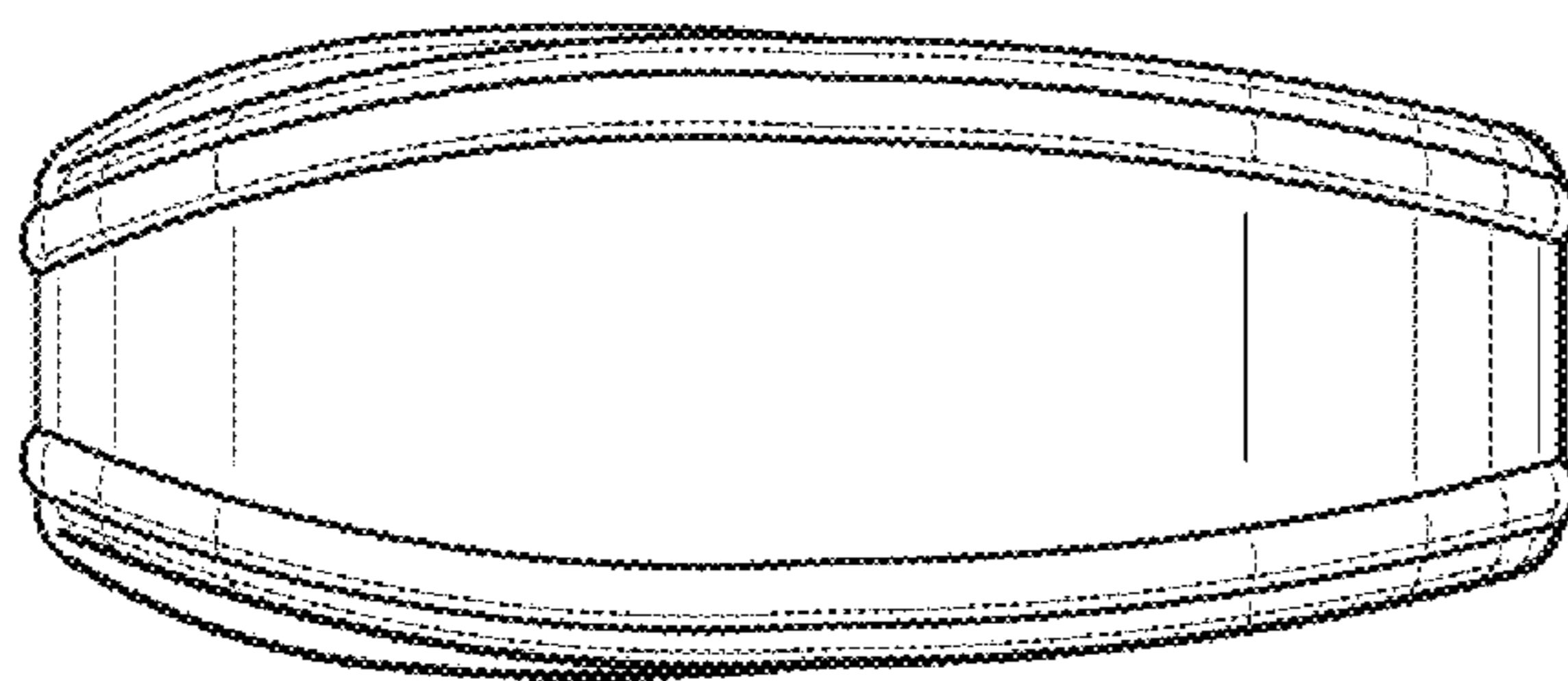
An ornamental design for a toe separator, as shown and described.

DESCRIPTION

FIG. 1 is a top view of my new design for a toe separator in a condition of use between toes of a human foot;
FIG. 2 is a bottom view of my new design in a condition of use between toes of a human foot;
FIG. 3 is a left side view of my new design in a condition of use between toes of a human foot;
FIG. 4 is a top view thereof;
FIG. 5 is a front view thereof;
FIG. 6 is a right side thereof;
FIG. 7 is a left side view thereof;
FIG. 8 is a bottom view thereof; and,
FIG. 9 is a back view thereof.

The broken lines are for the purpose of illustrating environment which forms no part of the claimed design.

1 Claim, 2 Drawing Sheets



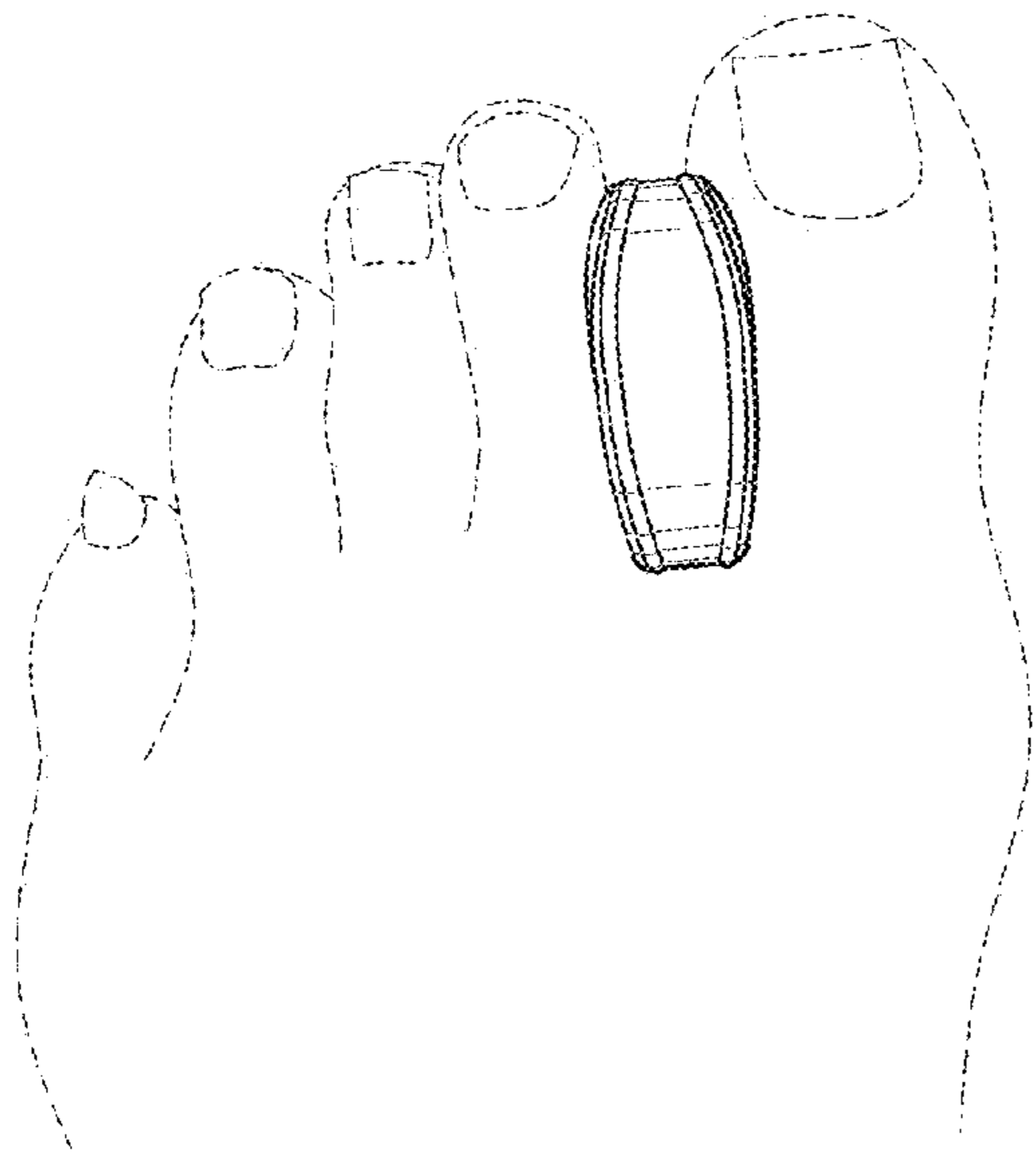


FIG. 1

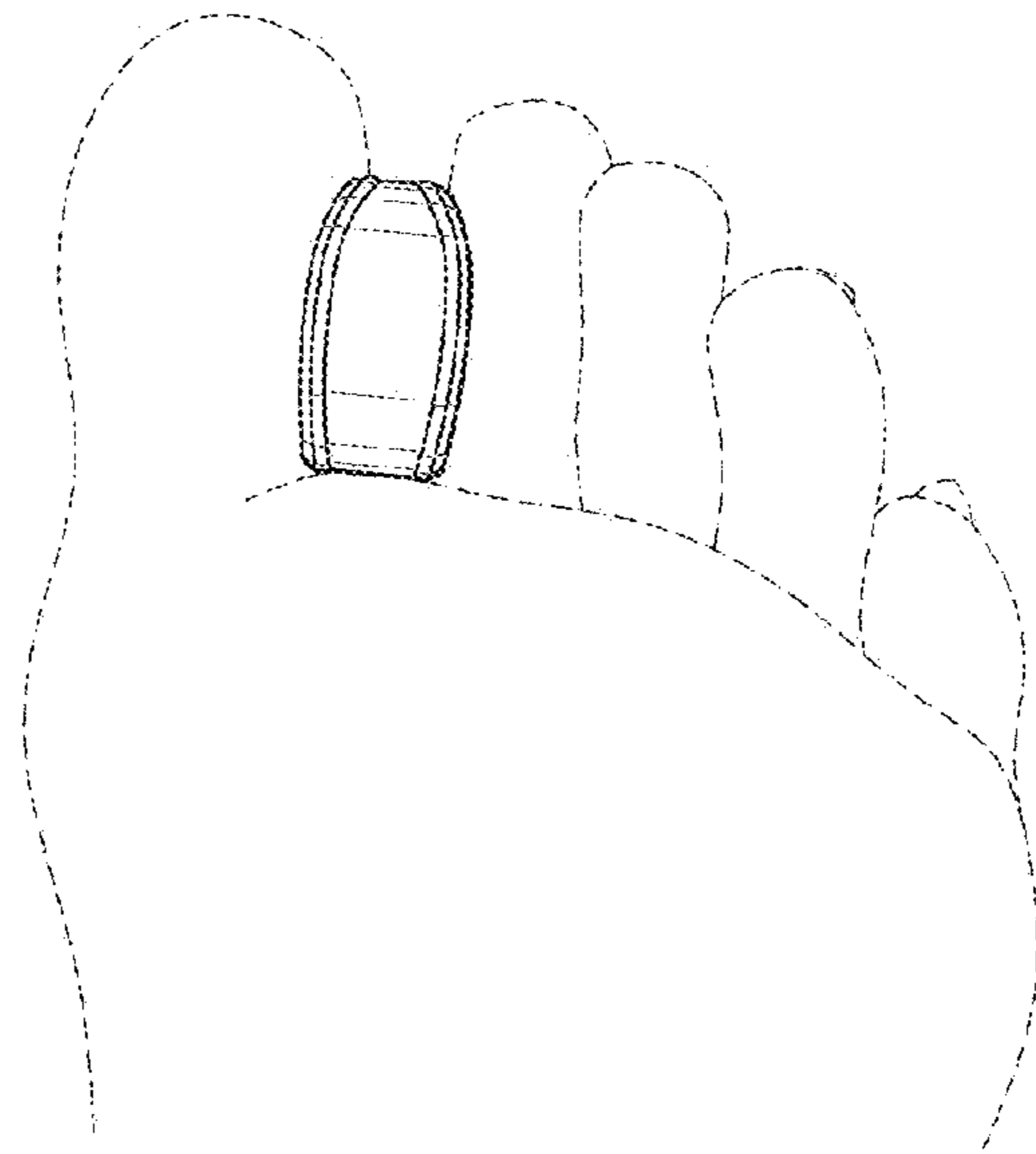


FIG. 2

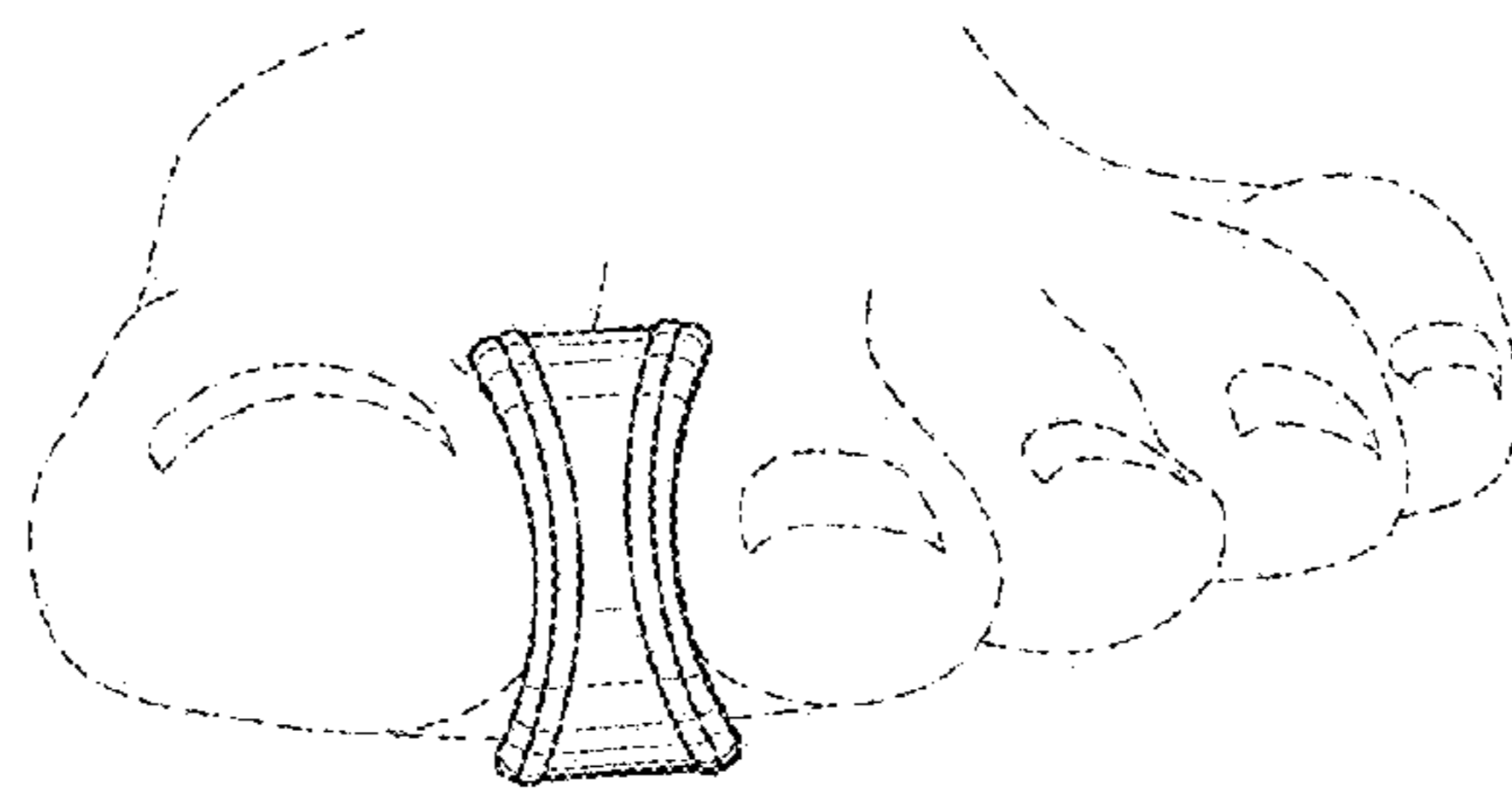


FIG. 3

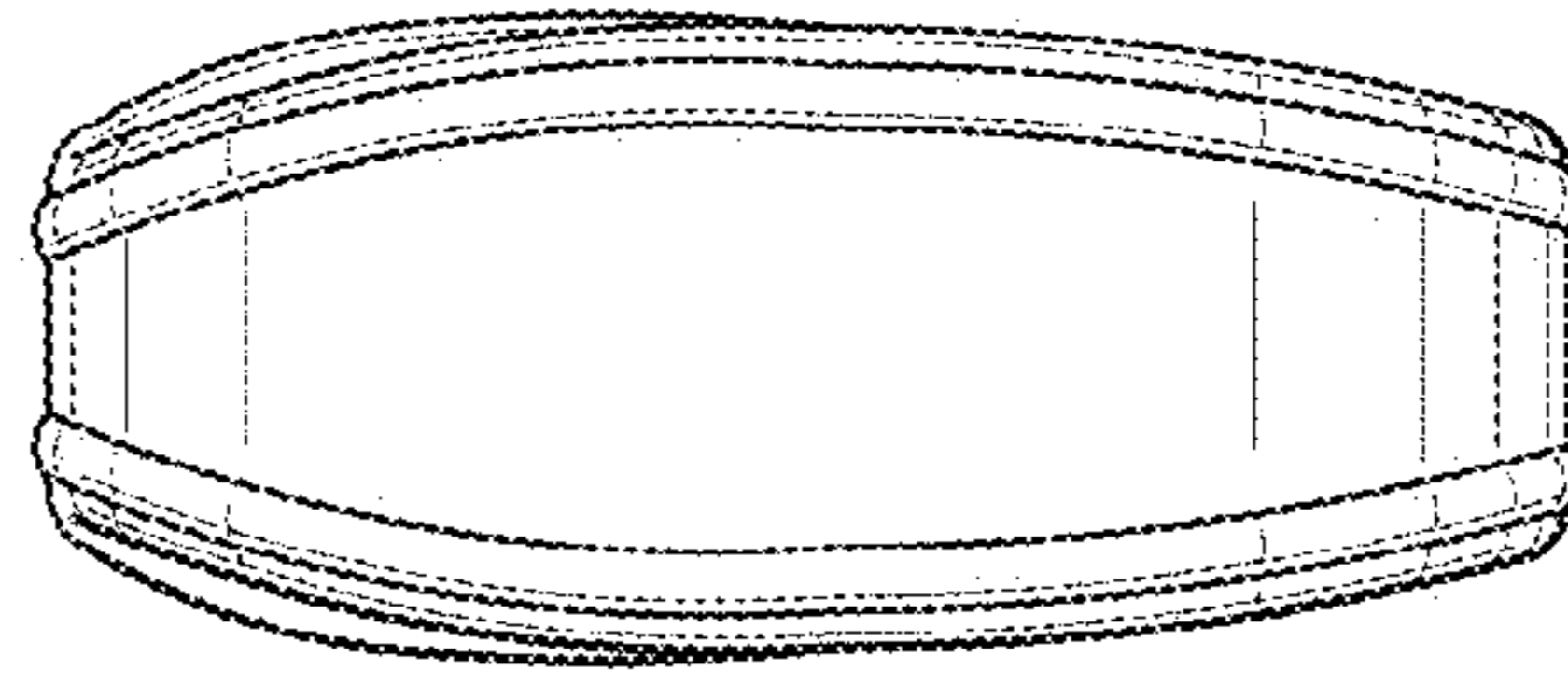


FIG. 4

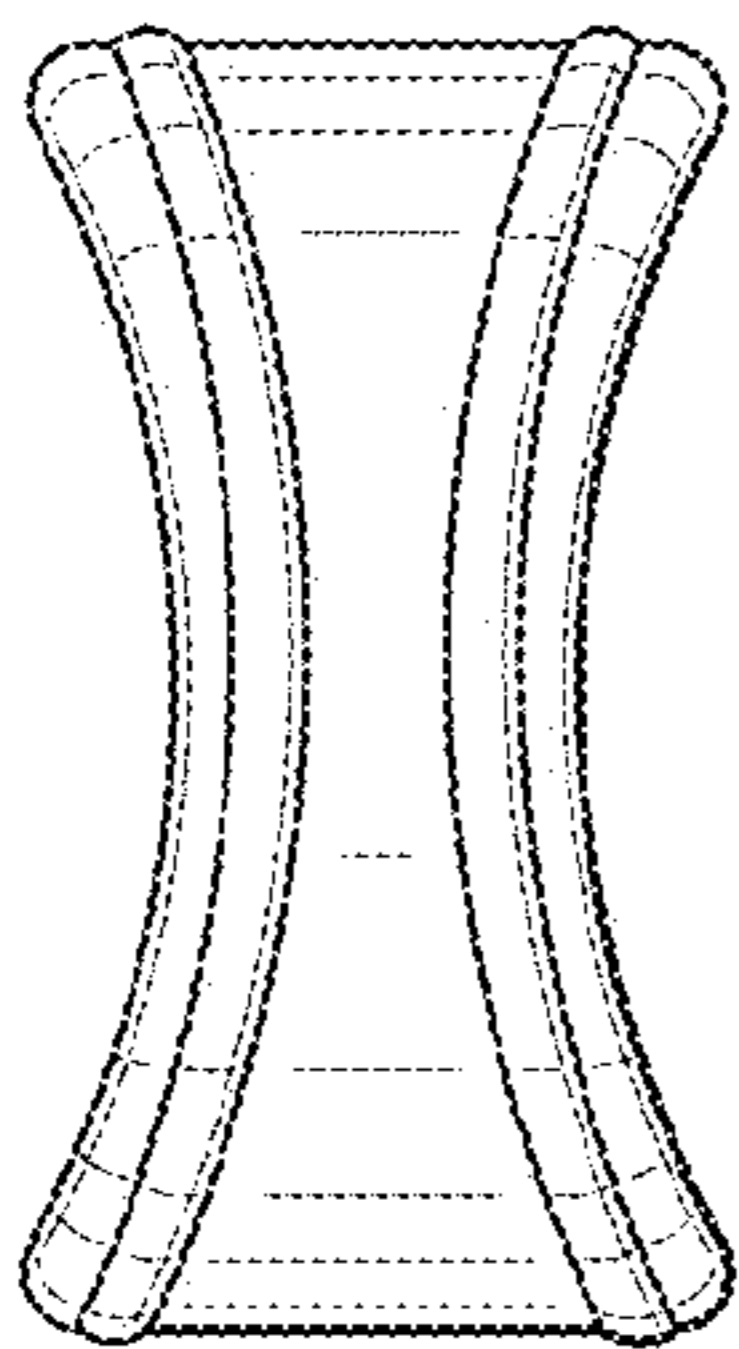


FIG. 7

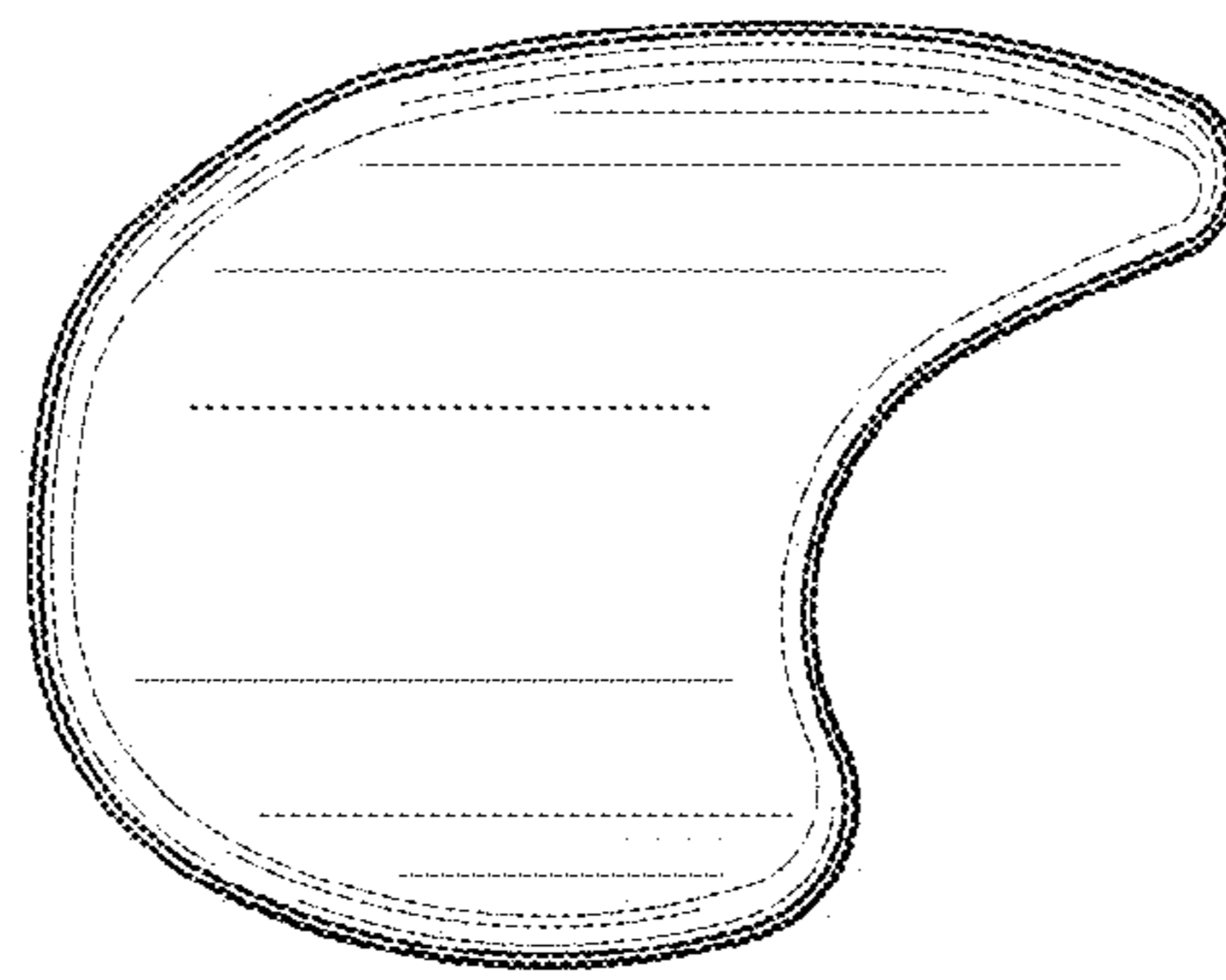


FIG. 5

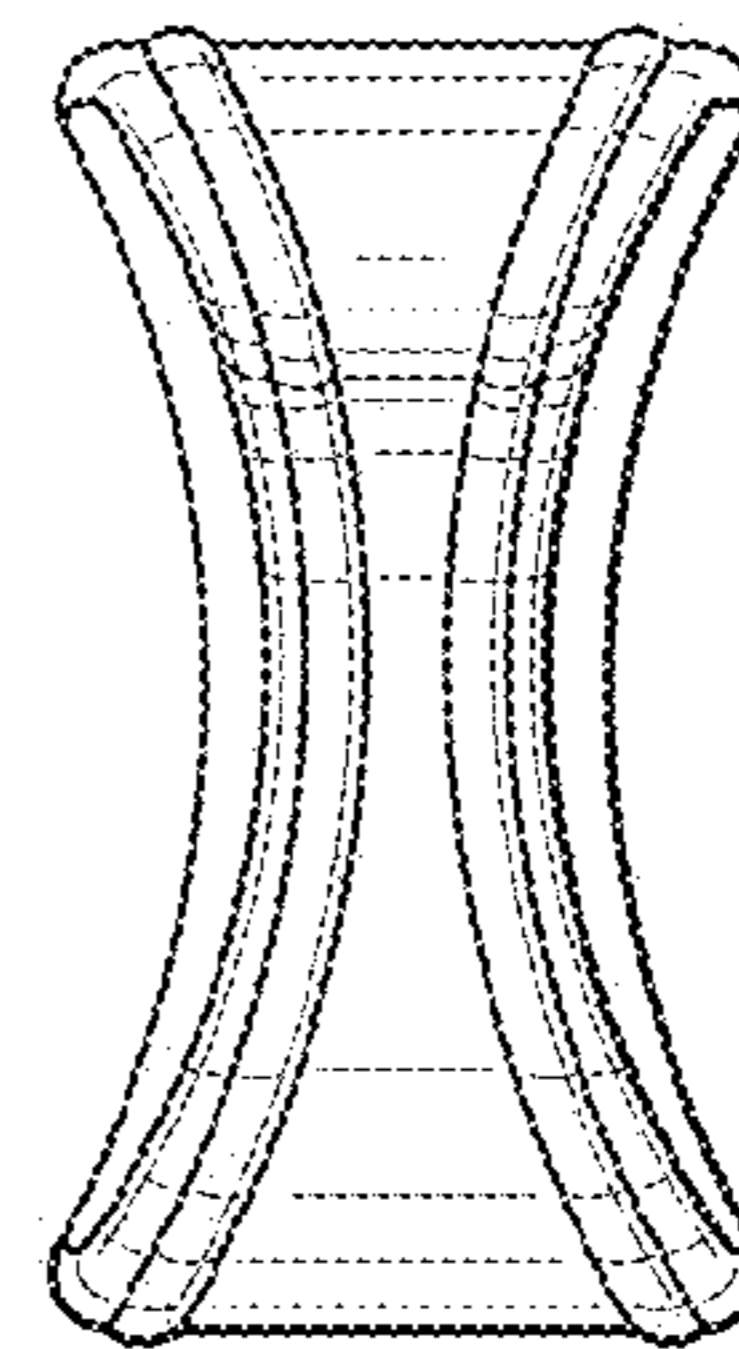


FIG. 6

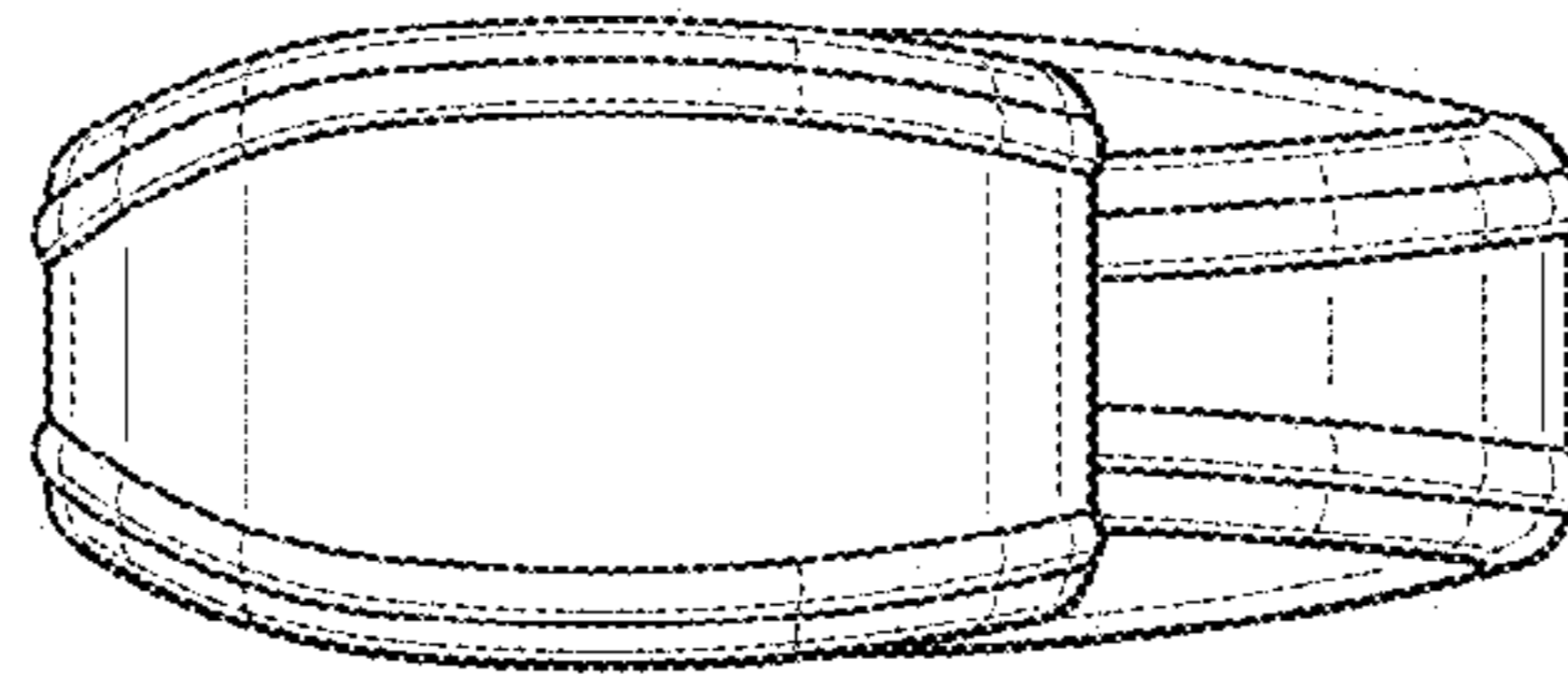


FIG. 8

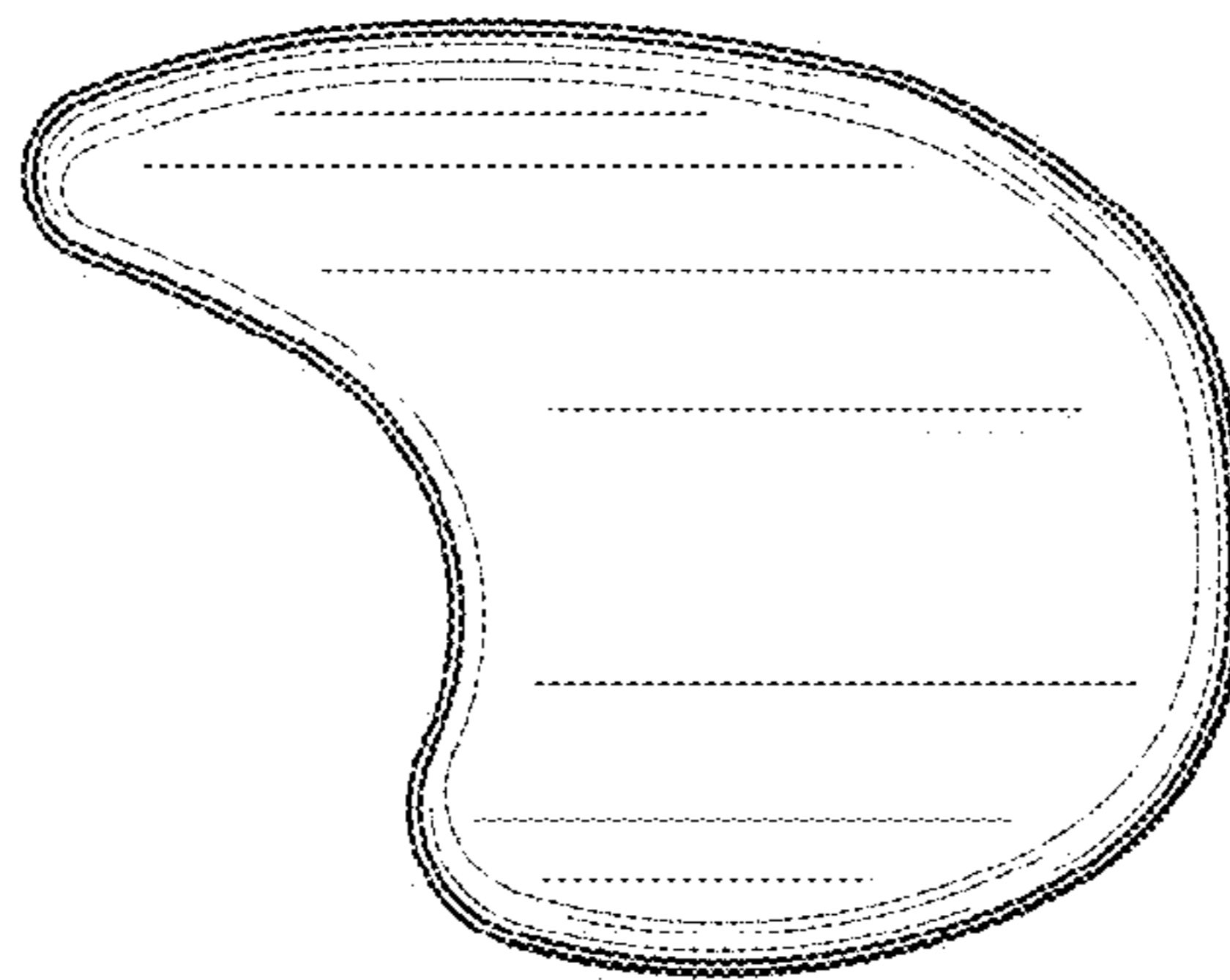


FIG. 9