



US00D720859S

(12) **United States Design Patent**
Chang et al.

(10) **Patent No.:** **US D720,859 S**
(45) **Date of Patent:** **** Jan. 6, 2015**

(54) **3 DIMENSIONAL SCANNER**

(56) **References Cited**

(71) Applicant: **Hon Hai Precision Industry Co., Ltd.**,
New Taipei (TW)

U.S. PATENT DOCUMENTS

(72) Inventors: **Chih-Kuang Chang**, New Taipei (TW);
Xin-Yuan Wu, Shenzhen (CN); **Yi Liu**,
Shenzhen (CN)

5,152,294 A * 10/1992 Mochizuki et al. 600/459
6,139,502 A * 10/2000 Fredriksen 600/459
D692,564 S * 10/2013 Ninomiya et al. D24/187
8,777,861 B2 * 7/2014 Roh et al. 600/459

(73) Assignee: **Hon Hai Precision Industry Co., Ltd.**,
New Taipei (TW)

* cited by examiner

(**) Term: **14 Years**

Primary Examiner — Antoine D Davis

(21) Appl. No.: **29/452,431**

(74) *Attorney, Agent, or Firm* — Novak Druce Connolly
Bove + Quigg LLP

(22) Filed: **Apr. 16, 2013**

(57) **CLAIM**

The ornamental design for a 3 dimensional scanner, as shown
and described.

(30) **Foreign Application Priority Data**

DESCRIPTION

Mar. 7, 2013 (CN) 2013 3 0056251

(51) **LOC (10) Cl.** **24-01**

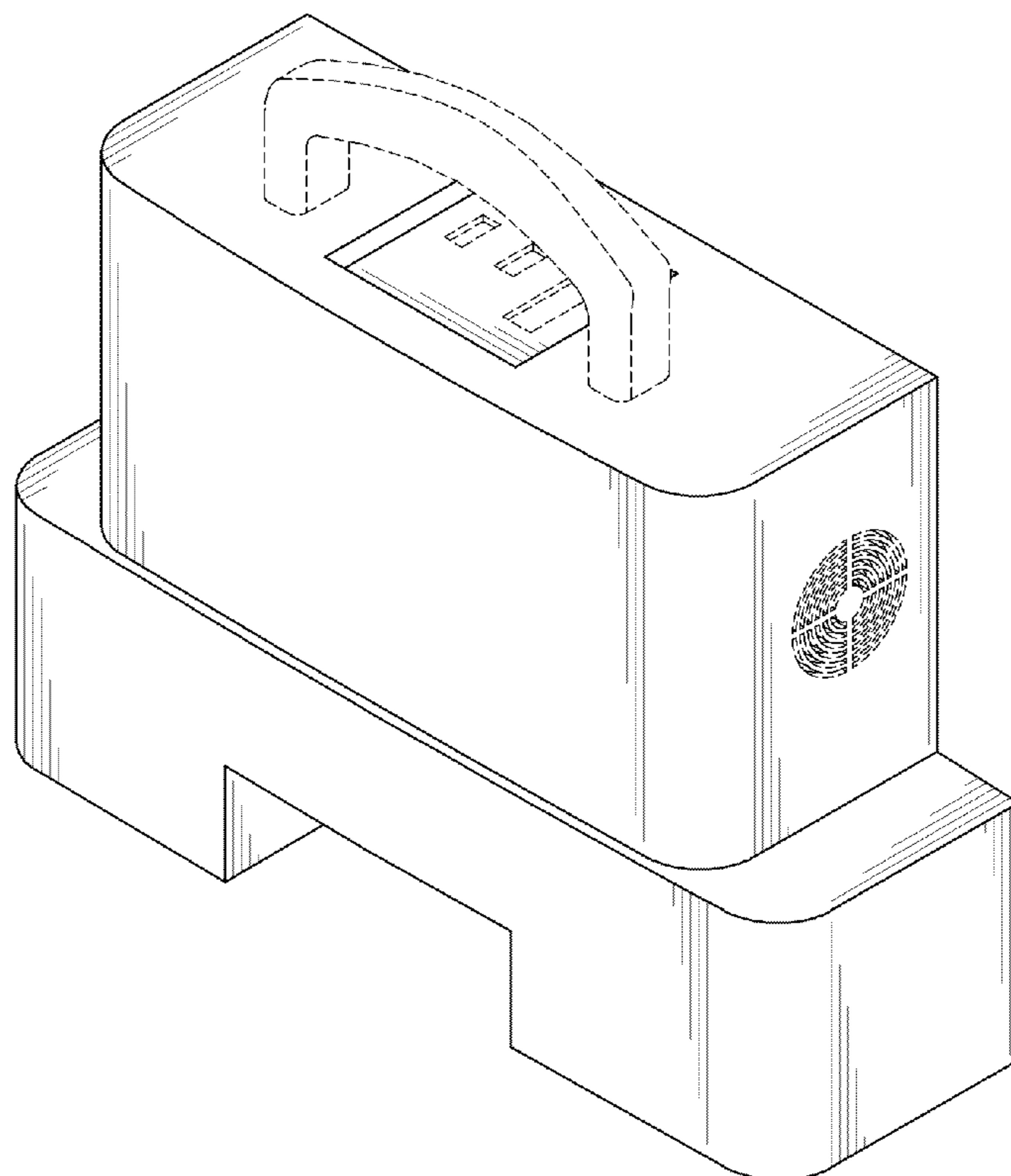
(52) **U.S. Cl.**
USPC **D24/187; D10/57**

(58) **Field of Classification Search**
CPC A61B 8/14; A61B 8/4281; A61B 8/4461;
A61B 8/483; G10K 11/341; G10K 11/355
USPC D10/46; 250/341.1; 356/601; 382/106,
382/154; 433/29; D24/158, 187; 128/916;
600/445–447, 459

FIG. 1 is a perspective view of a 3 dimensional scanner
showing our new design;
FIG. 2 is a front view thereof;
FIG. 3 is a rear view thereof;
FIG. 4 is a left side view thereof;
FIG. 5 is a right side view thereof;
FIG. 6 is a top plan view thereof; and,
FIG. 7 is a bottom plan view thereof.
The broken lines of all figures are for showing environmental
features and are not part of the design.

See application file for complete search history.

1 Claim, 7 Drawing Sheets



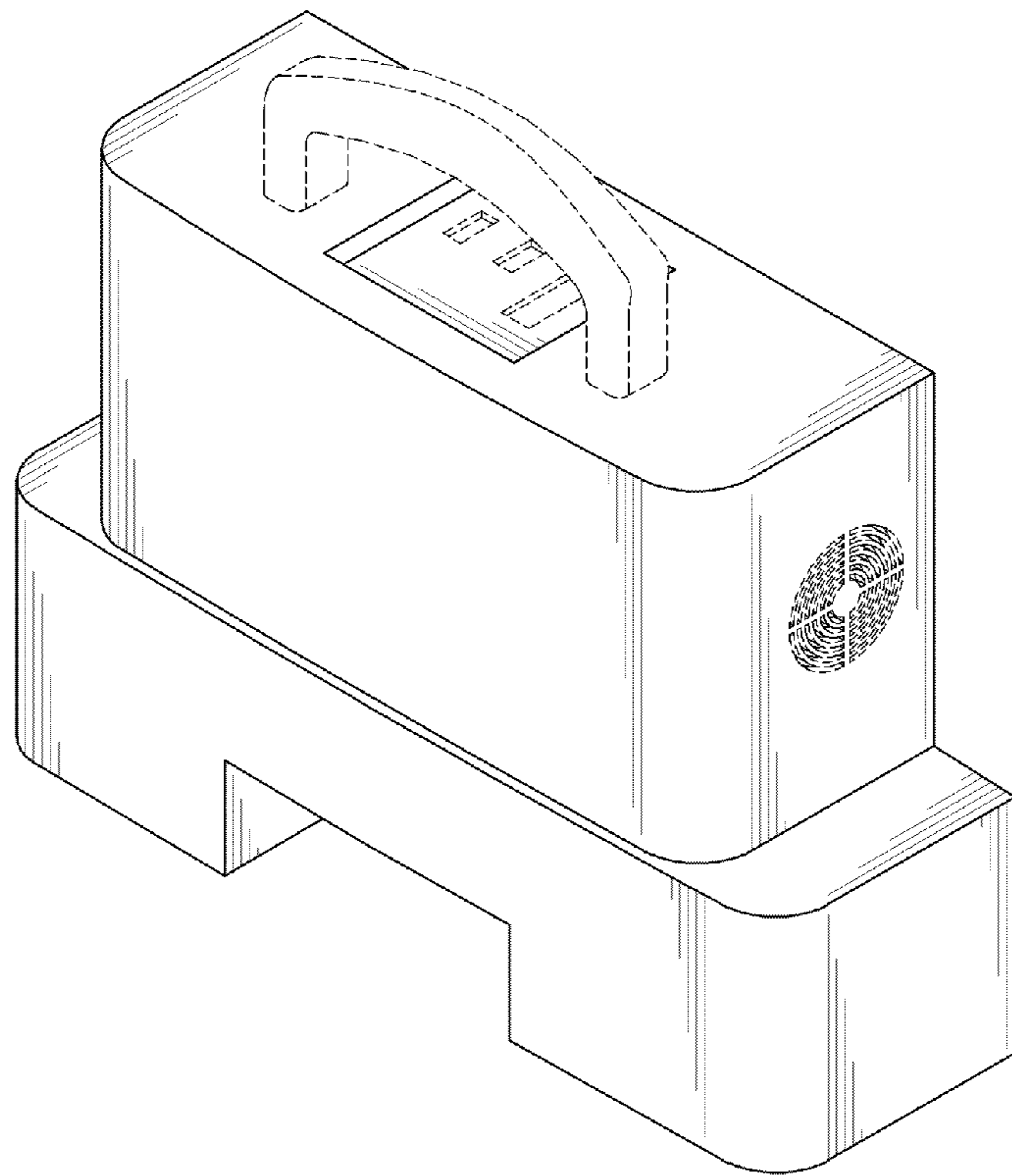


FIG. 1

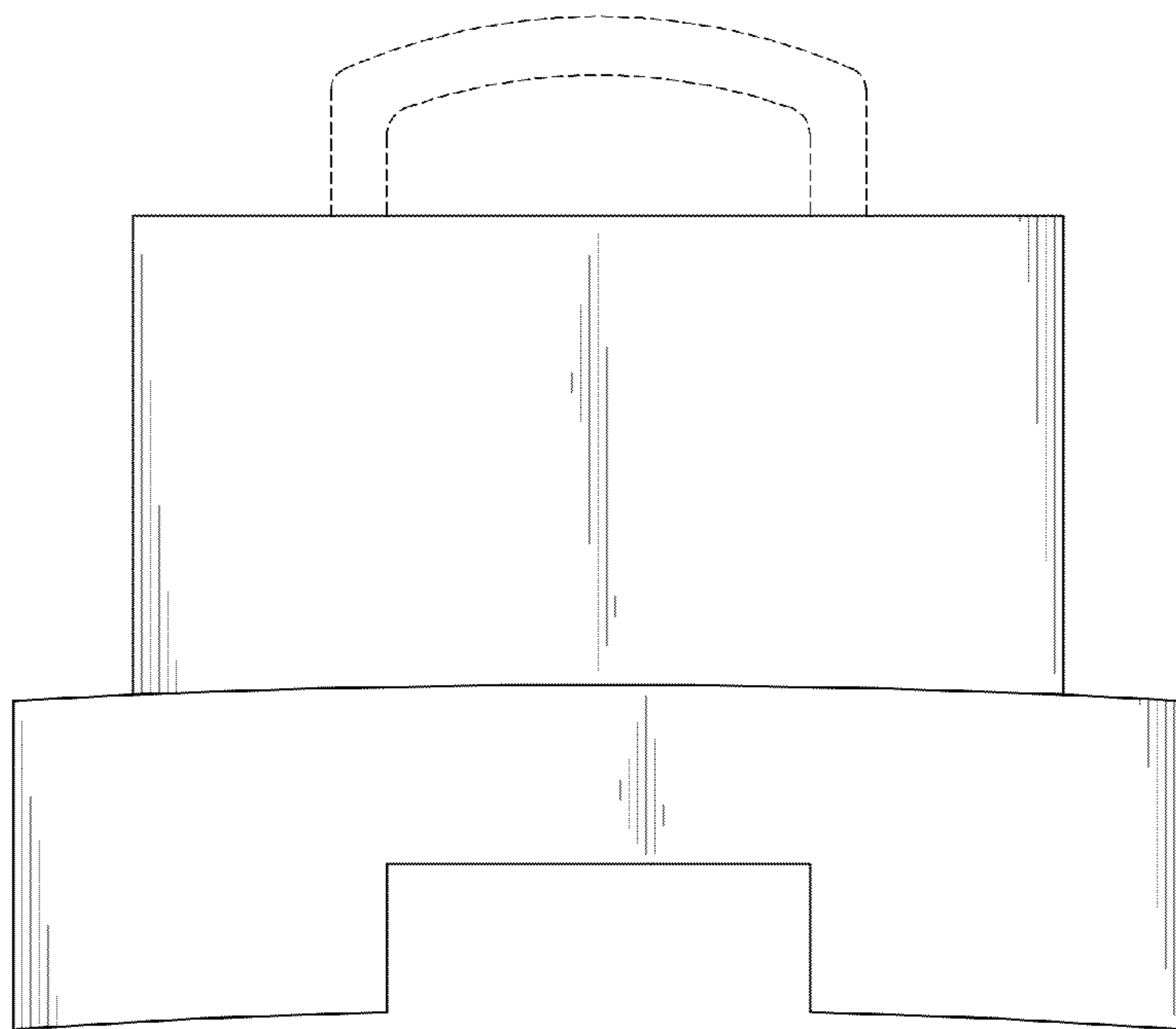


FIG. 2

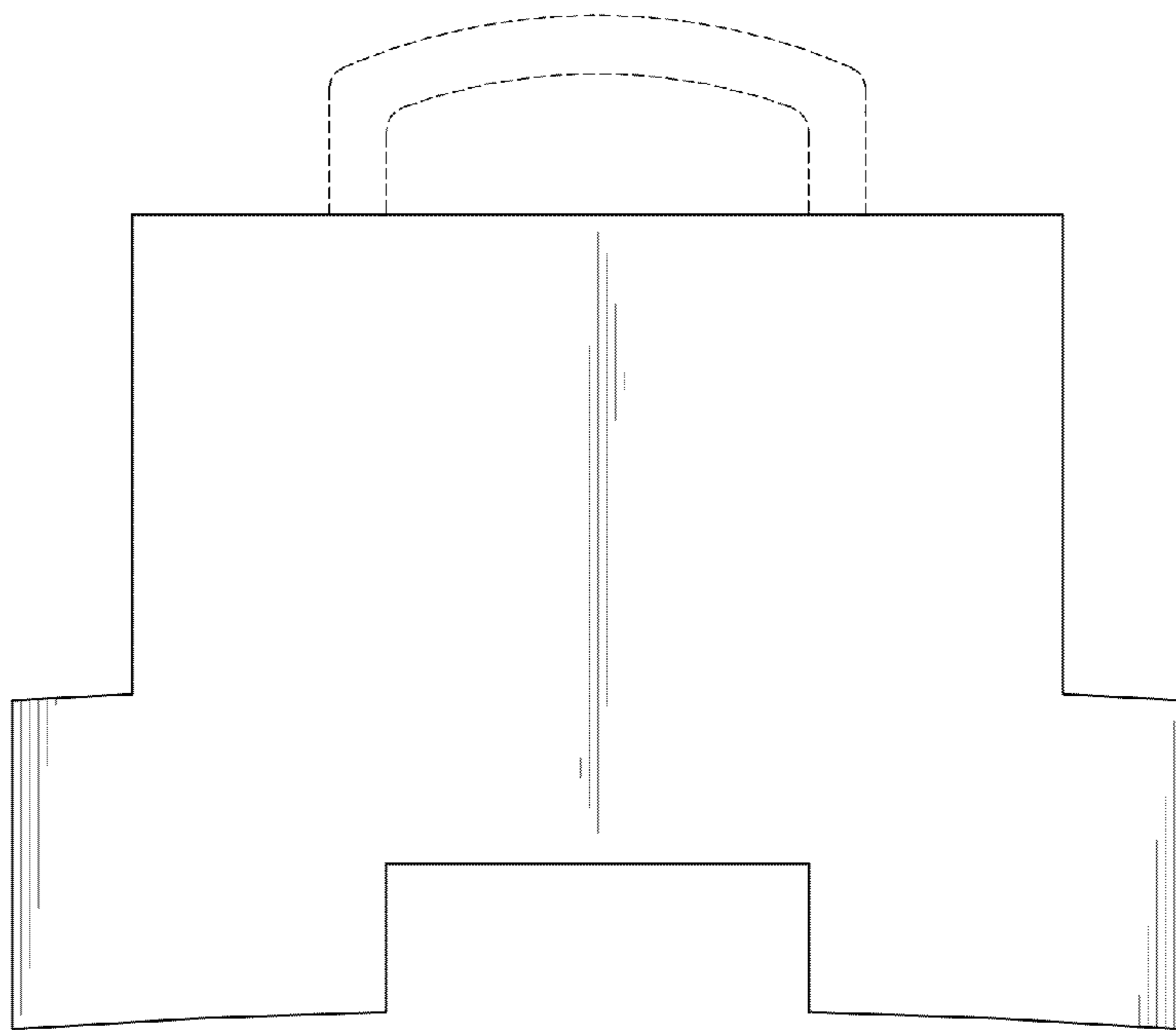


FIG. 3

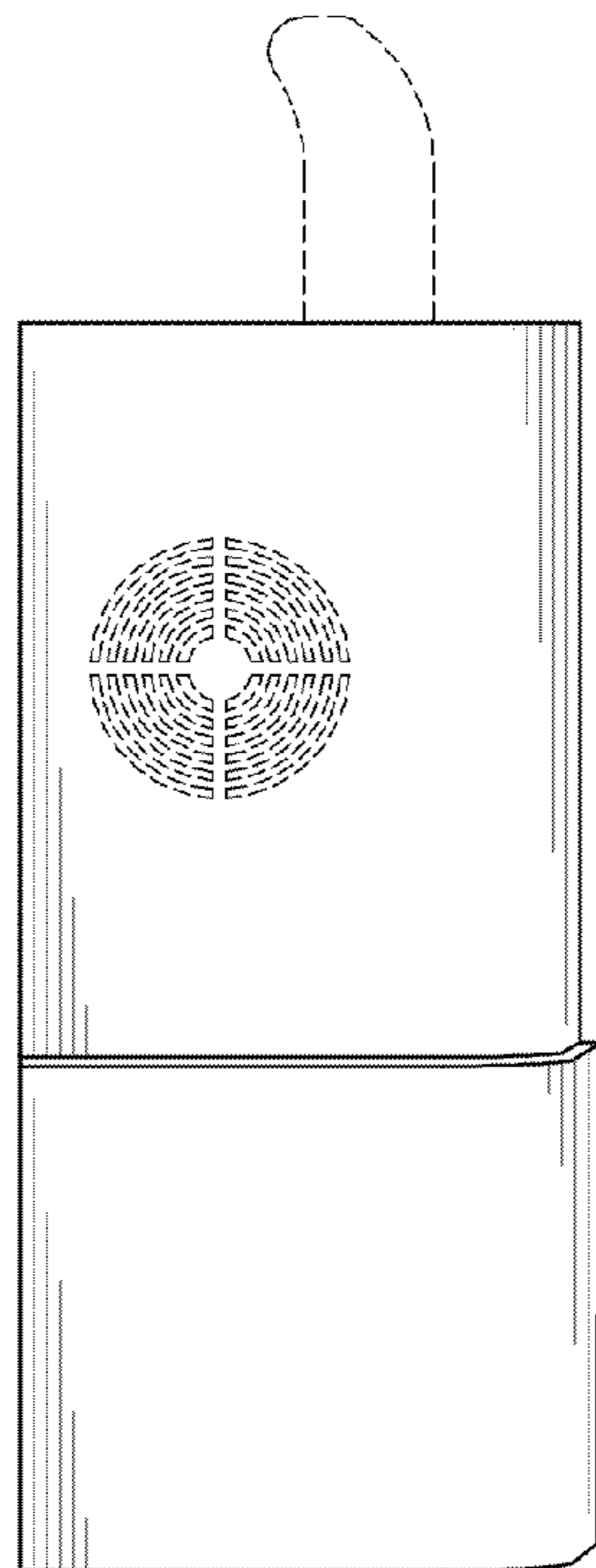


FIG. 4

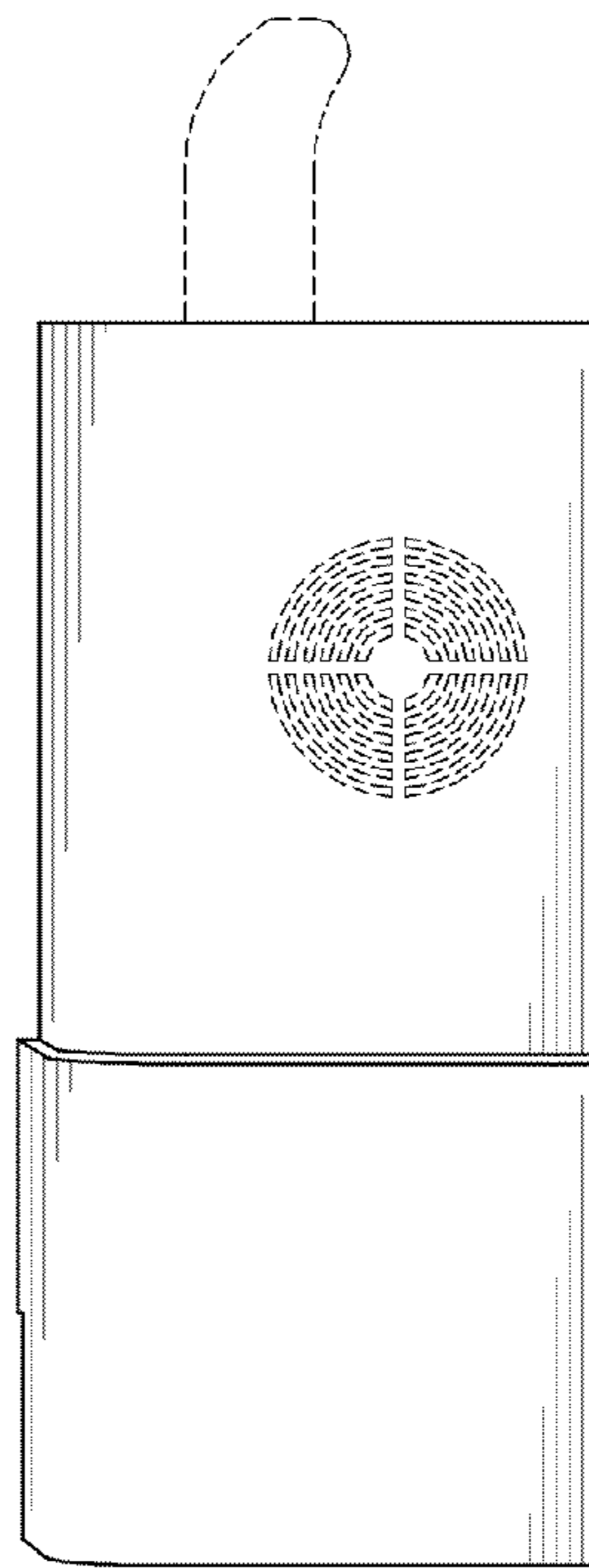


FIG. 5

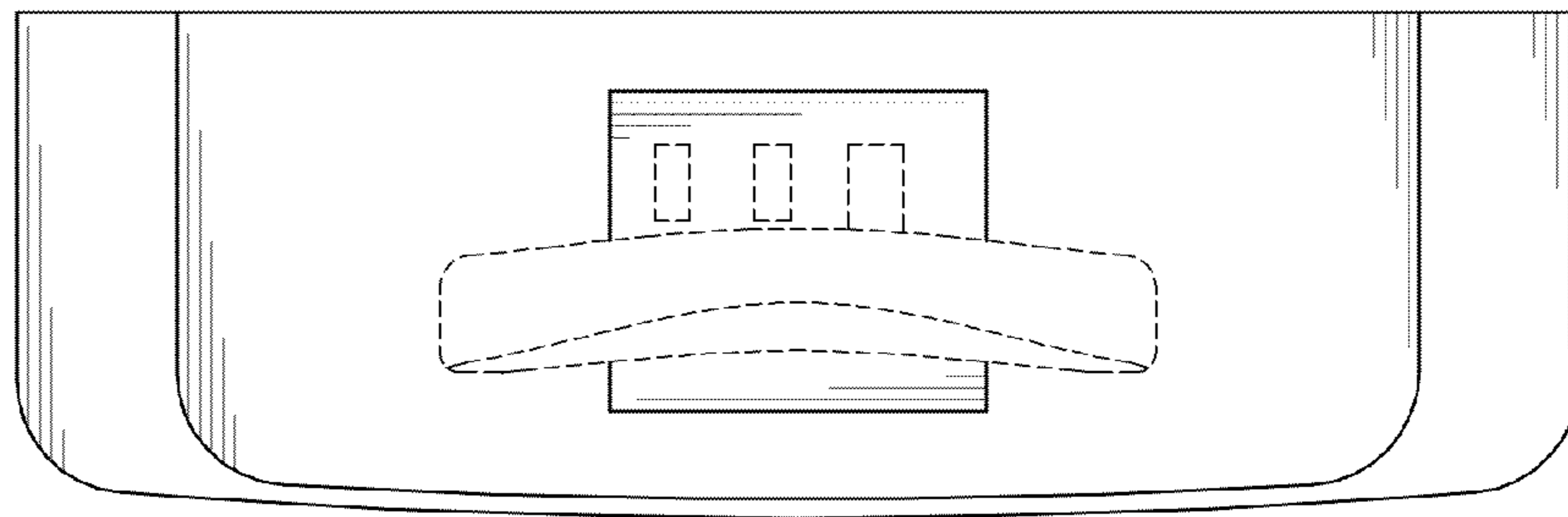


FIG. 6

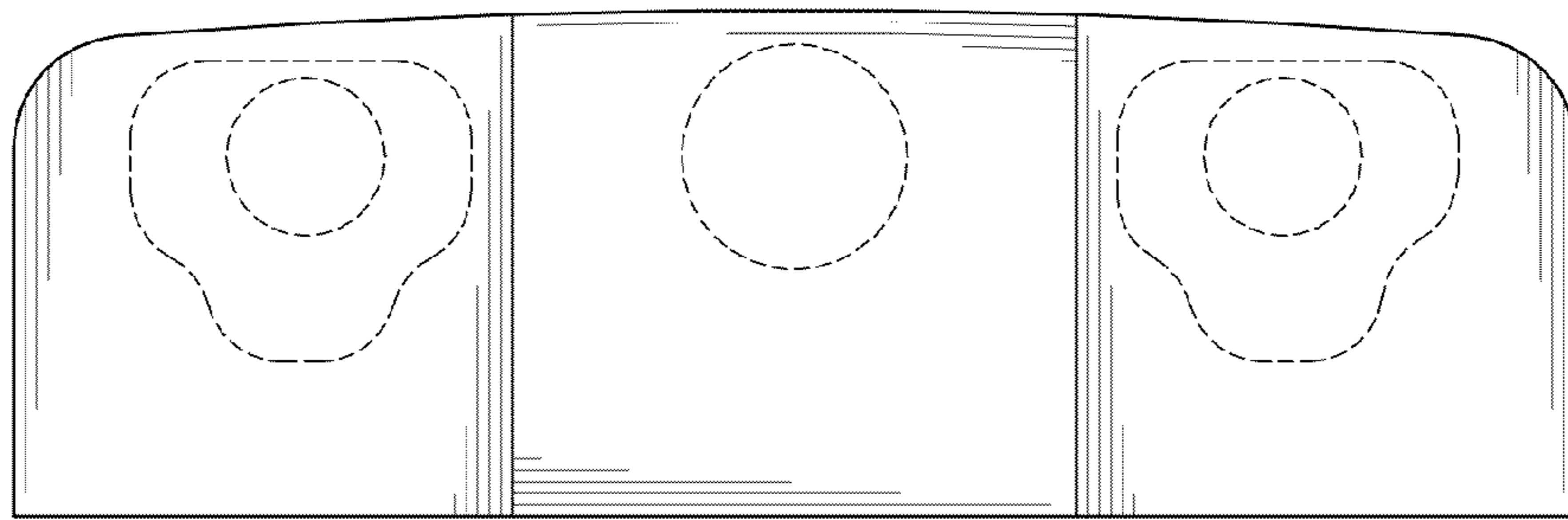


FIG. 7