



US00D720857S

(12) **United States Design Patent**  
**Burlon**

(10) **Patent No.:** **US D720,857 S**  
(45) **Date of Patent:** **\*\* Jan. 6, 2015**

(54) **DOUBLE EYEBOLT FOR DENTAL PROTRUSOR**

(71) Applicant: **Giuseppe Burlon**, Montebelluna (IT)

(72) Inventor: **Giuseppe Burlon**, Montebelluna (IT)

(\*\*) Term: **14 Years**

(21) Appl. No.: **29/455,516**

(22) Filed: **May 21, 2013**

(30) **Foreign Application Priority Data**

Nov. 21, 2012 (EM) ..... 002139725-0003

(51) **LOC (10) Cl.** ..... **24-03**

(52) **U.S. Cl.**  
USPC ..... **D24/180**

(58) **Field of Classification Search**  
USPC ..... D24/176-182; 433/2-3, 6-7, 10-11,  
433/13, 18-19, 22, 24-25, 141, 147;  
D8/17, 21

See application file for complete search history.

(56) **References Cited**

**U.S. PATENT DOCUMENTS**

4,462,800 A \* 7/1984 Jones ..... 433/19  
5,919,042 A \* 7/1999 Williams ..... 433/19  
6,053,730 A \* 4/2000 Cleary ..... 433/19  
6,109,265 A \* 8/2000 Frantz et al. .... 128/848

6,113,390 A \* 9/2000 Sirney et al. .... 433/19  
6,168,430 B1 \* 1/2001 Higgins ..... 433/19  
6,488,498 B1 \* 12/2002 Mariani, Jr. .... 433/11  
7,018,202 B2 \* 3/2006 Teramoto ..... 433/18  
7,070,410 B2 \* 7/2006 Cacchiotti et al. .... 433/19  
7,146,982 B2 \* 12/2006 Mousselon et al. .... 433/6  
2009/0056725 A1 \* 3/2009 Zand ..... 128/859

\* cited by examiner

*Primary Examiner* — Wan Laymon

(74) *Attorney, Agent, or Firm* — The Belles Group, P.C.

(57) **CLAIM**

I claim the ornamental design for a double eyebolt for dental protrusor, as shown and described.

**DESCRIPTION**

FIG. 1 is a perspective view of a double eyebolt for dental protrusor in accordance with the present invention.

FIG. 2 is a left-side view of the double eyebolt for dental protrusor of FIG. 1 shown at an enlarged scale.

FIG. 3 is a right-side view of the double eyebolt for dental protrusor of FIG. 1 shown at an enlarged scale.

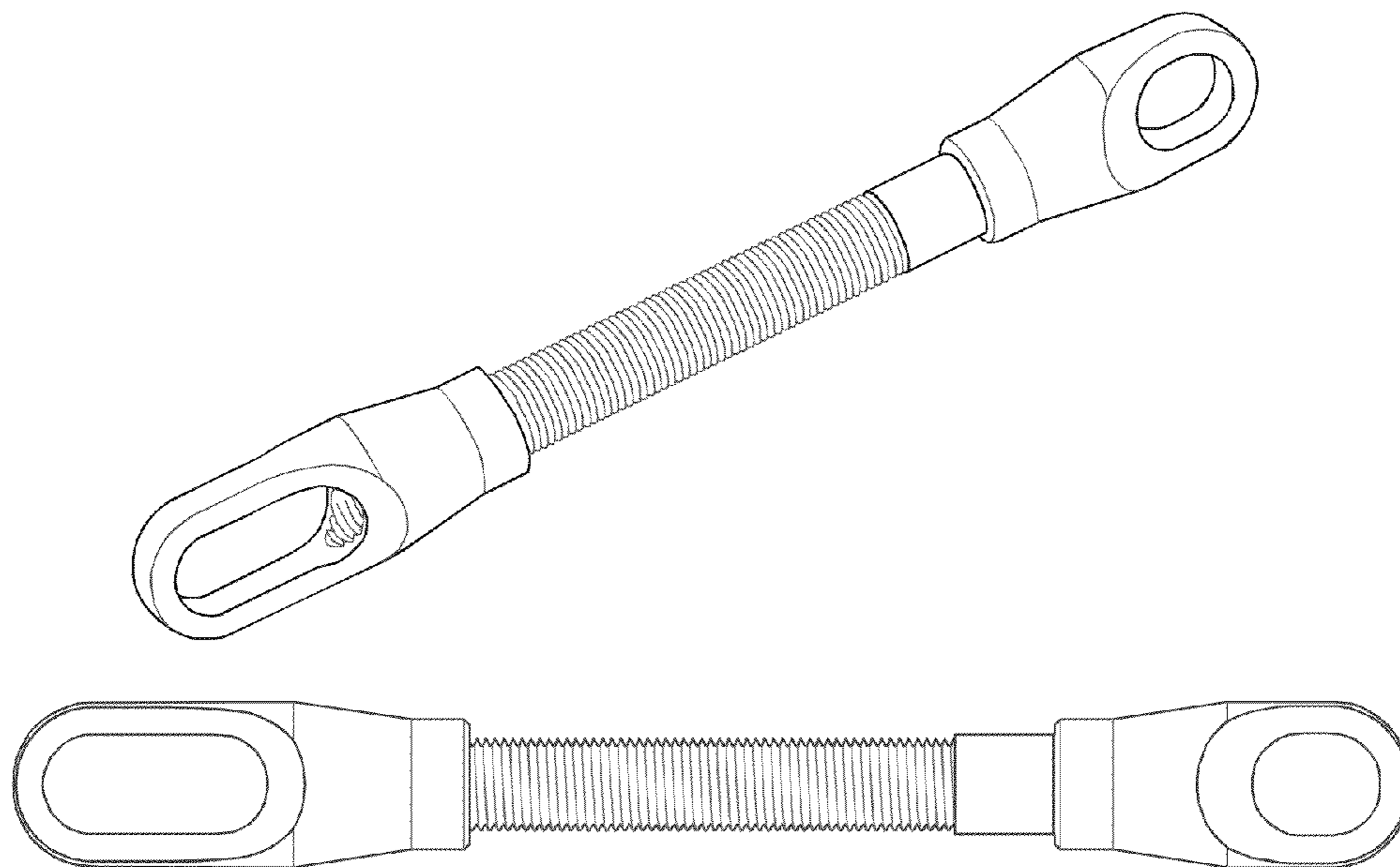
FIG. 4 is a front view of the double eyebolt for dental protrusor of FIG. 1.

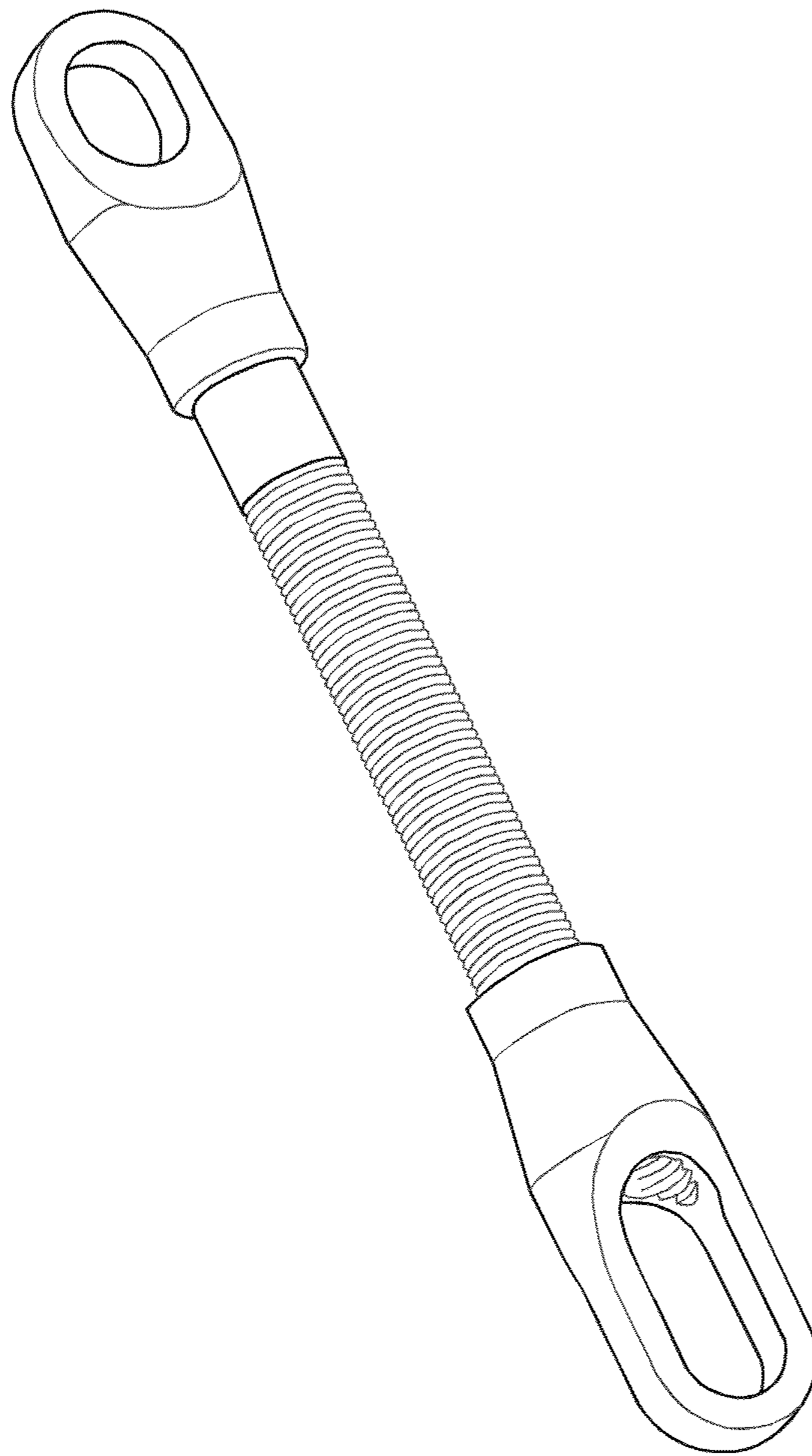
FIG. 5 is a rear view of the double eyebolt for dental protrusor of FIG. 1.

FIG. 6 is a top view of the double eyebolt for dental protrusor of FIG. 1; and,

FIG. 7 is a bottom view of the double eyebolt for dental protrusor of FIG. 1.

**1 Claim, 7 Drawing Sheets**





**FIGURE 1**

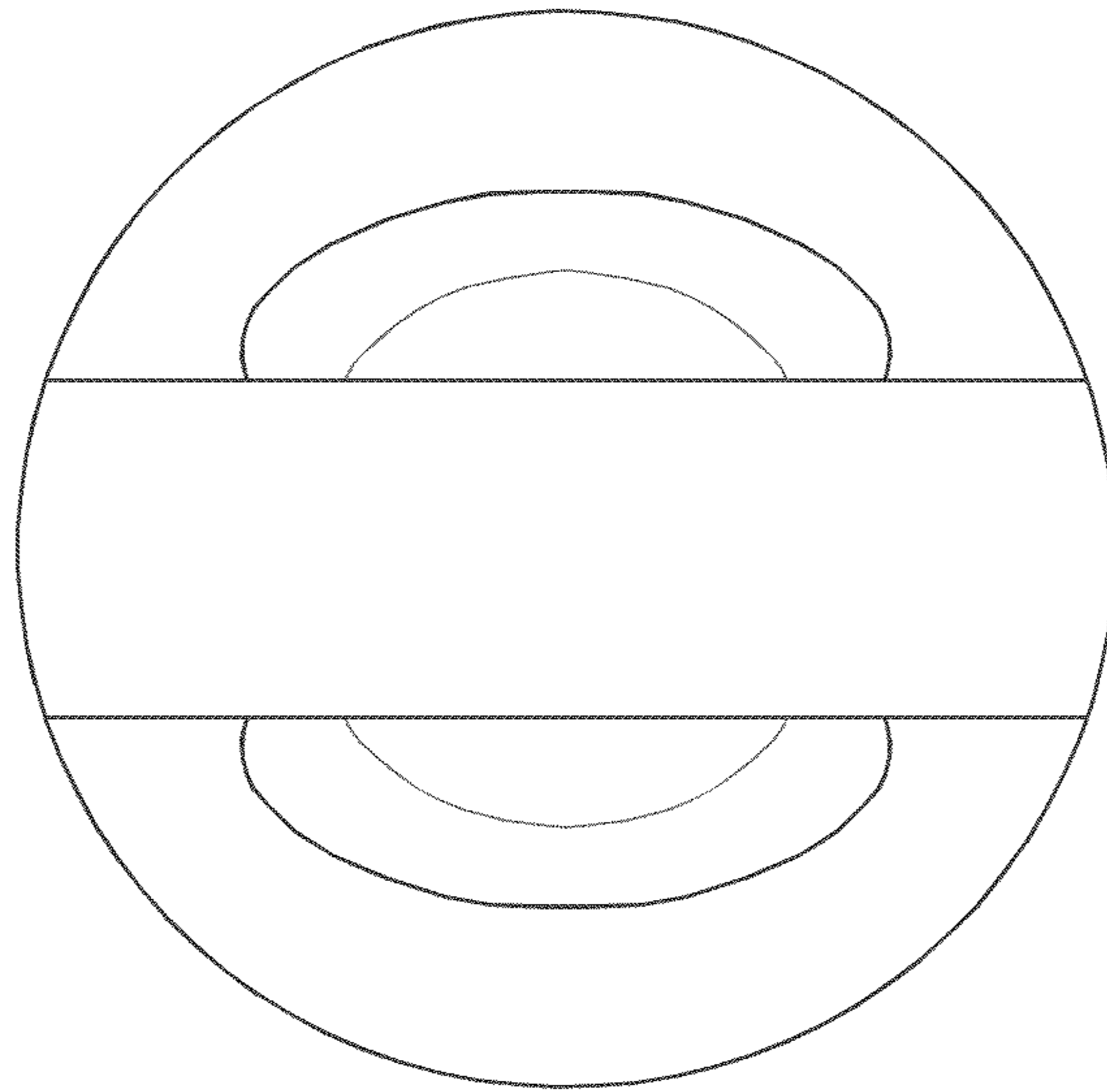


FIGURE 2

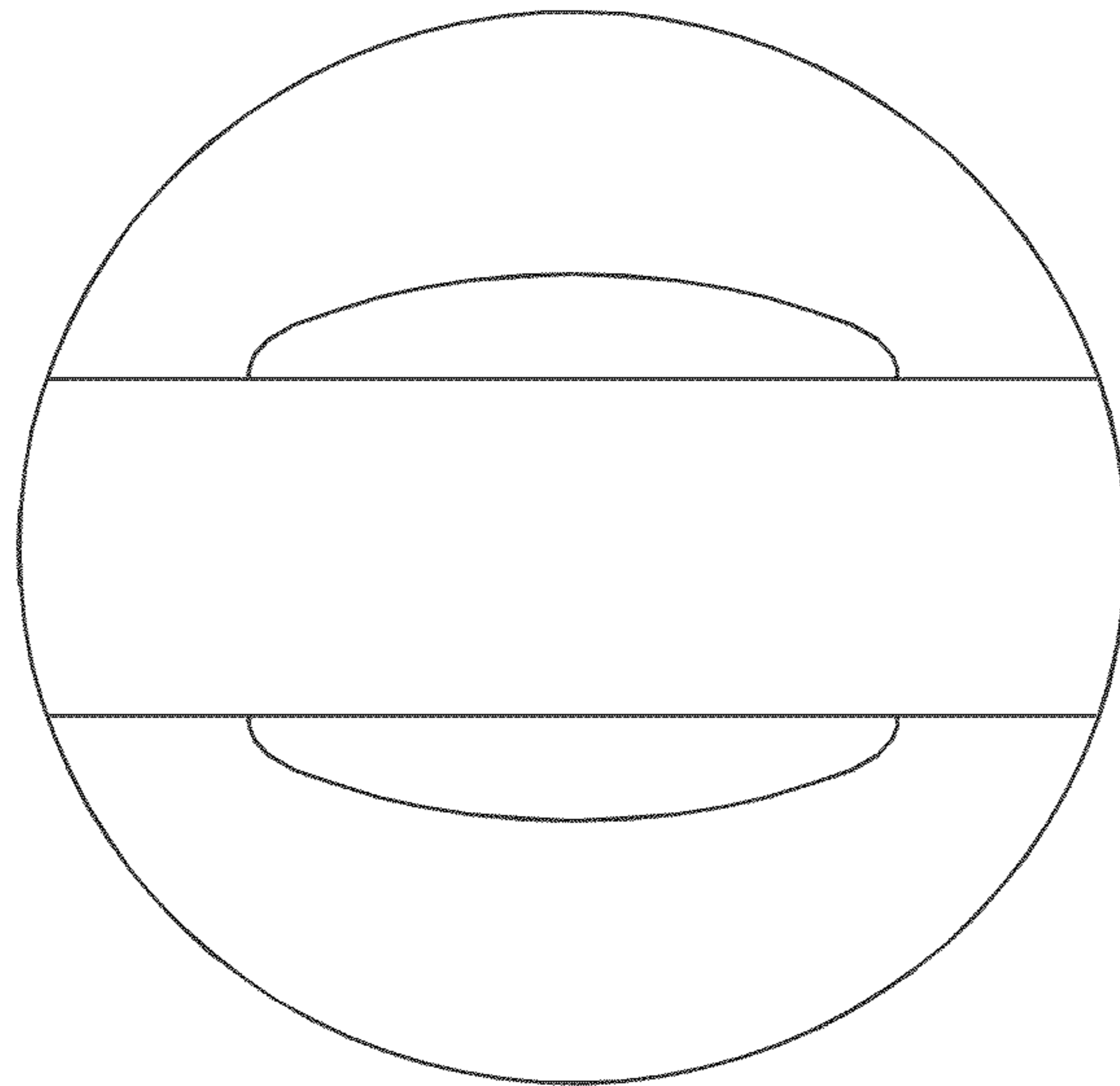


FIGURE 3

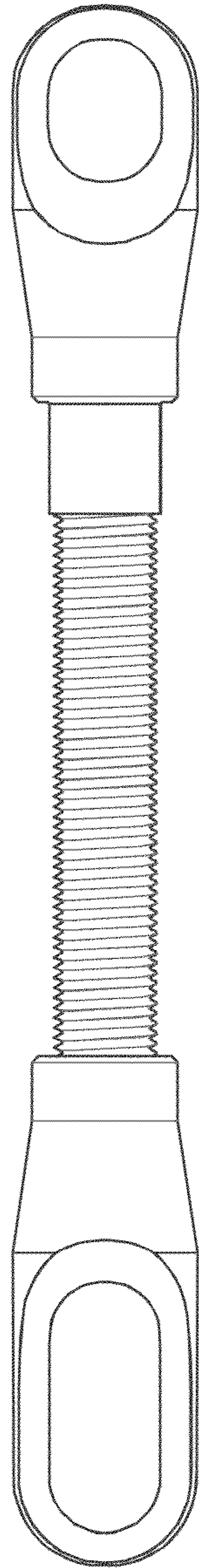


FIGURE 4

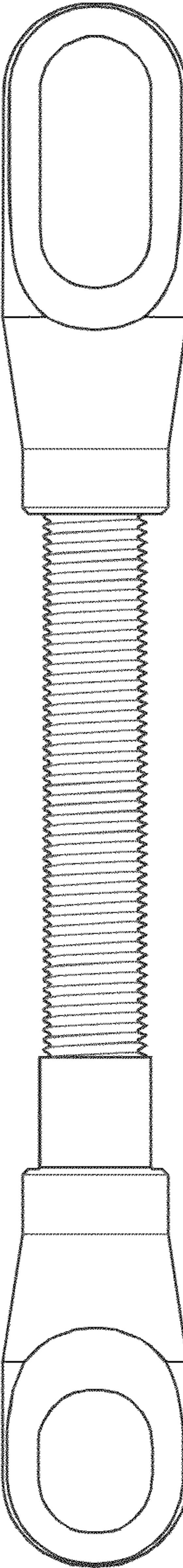


FIGURE 5

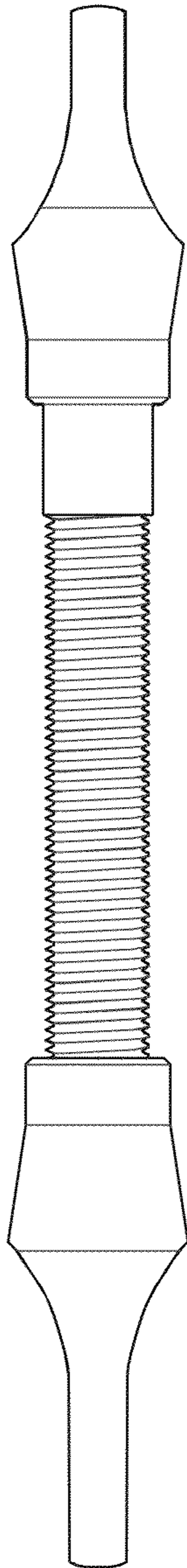


FIGURE 6



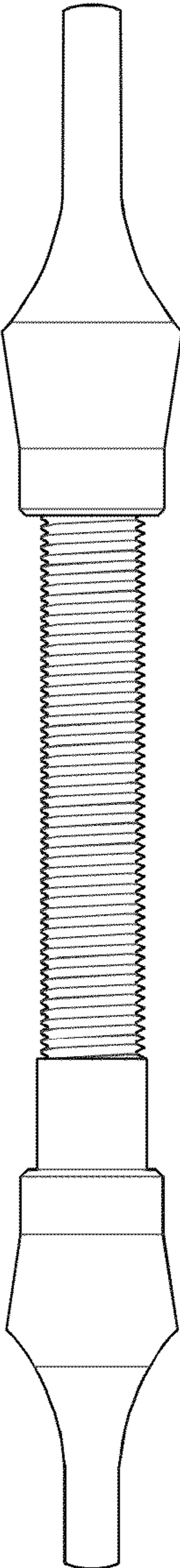


FIGURE 7